



US00D477030S

(12) **United States Design Patent**  
**Kolls et al.**

(10) **Patent No.:** **US D477,030 S**  
(45) **Date of Patent:** **\*\* Jul. 8, 2003**

(54) **VENDING MACHINE CASHLESS PAYMENT TERMINAL**

*Primary Examiner*—Robert M. Spear  
(74) *Attorney, Agent, or Firm*—H. Brock Kolls

(75) Inventors: **H. Brock Kolls**, Pottstown, PA (US);  
**Stephen Luce**, Media, PA (US); **Barry J. Patrizzi**, Cherry Hill, NJ (US)

(57) **CLAIM**

The ornamental design for a vending machine cashless payment terminal, as shown and described.

(73) Assignee: **USA Technologies, Inc.**, Wayne, PA (US)

**DESCRIPTION**

(\*\*) Term: **14 Years**

FIG. 1 perspective view of a vending machine cashless payment terminal shown with a mounting bracket;

(21) Appl. No.: **29/167,954**

FIG. 2 perspective view of the vending machine cashless payment terminal shown with surface of vending machine;

(22) Filed: **Sep. 24, 2002**

FIG. 3 is a perspective view of the vending machine cashless payment terminal;

(51) **LOC (7) Cl.** ..... **20-01**

(52) **U.S. Cl.** ..... **D20/8**

FIG. 4 is a front side plan view of the vending machine cashless payment terminal;

(58) **Field of Search** ..... D20/1, 8, 9; D14/137, D14/138, 146, 155, 191, 192, 193, 194, 242, 471; 206/1.5, 449; 340/311.1, 825.44; 455/89, 90, 128, 129, 556, 557, 343, 347; 700/231, 236, 244; 705/14, 17, 39

FIG. 5 is a left side plan view of the vending machine cashless payment terminal;

(56) **References Cited**

**U.S. PATENT DOCUMENTS**

D309,132 S	*	7/1990	Muller et al.	.....	D14/242
D353,144 S	*	12/1994	Brandt et al.	.....	D14/242
D354,280 S	*	1/1995	Fenton	.....	D14/242
D361,192 S	*	8/1995	Dallman et al.	.....	D99/28
D388,227 S	*	12/1997	Dallman et al.	.....	D99/28
D423,181 S	*	4/2000	Dallman	.....	D99/28
D446,377 S	*	8/2001	Dallman	.....	D99/28

FIG. 6 is a right side plan view of the vending machine cashless payment terminal;

FIG. 7 is a back side plan view of the vending machine cashless payment terminal;

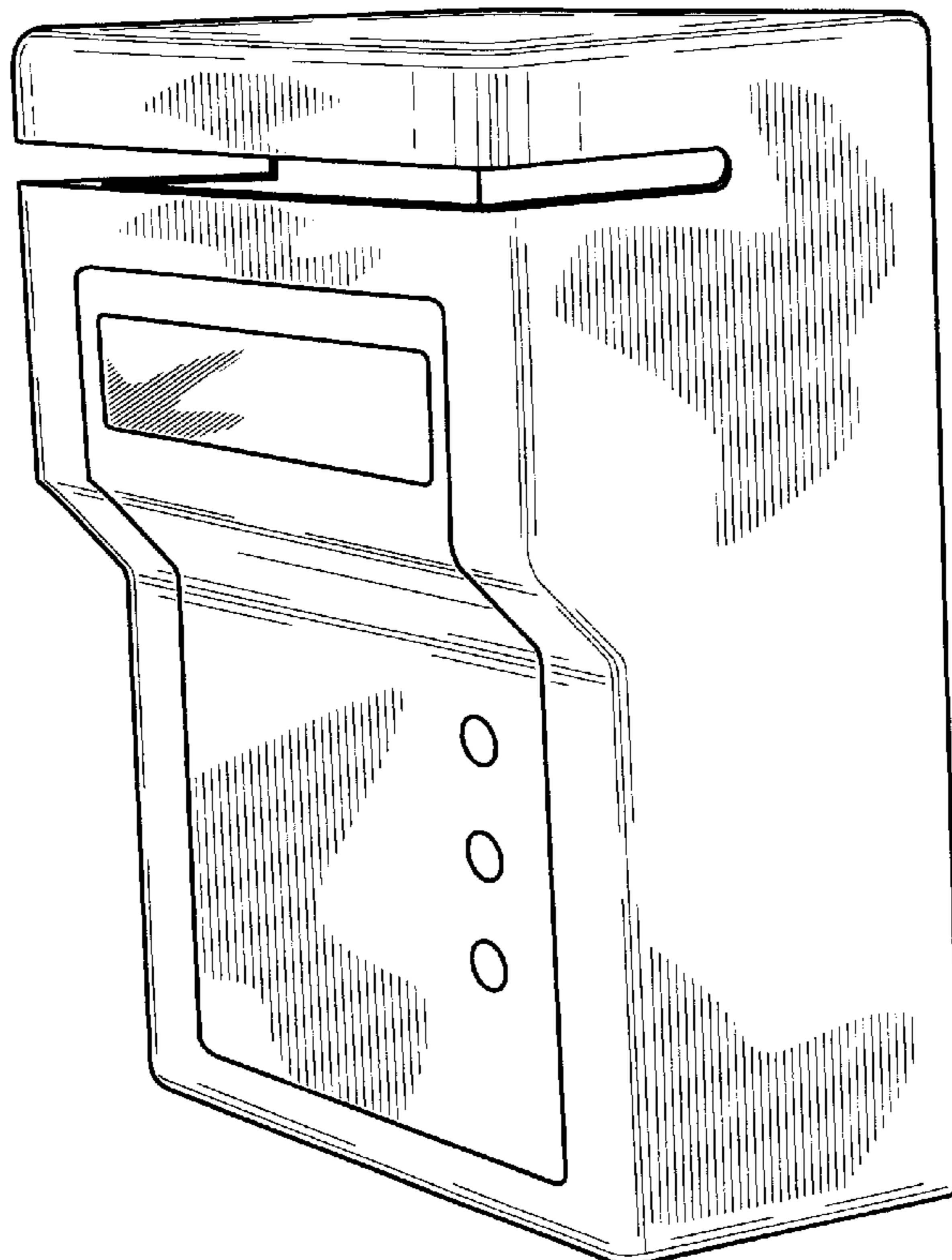
FIG. 8 is a top side plan view of the vending machine cashless payment terminal; and,

FIG. 9 is a bottom side plan view of the vending machine cashless payment terminal.

The broken lines in the drawings depict environmental structure, which forms no part of the claimed design.

\* cited by examiner

**1 Claim, 5 Drawing Sheets**



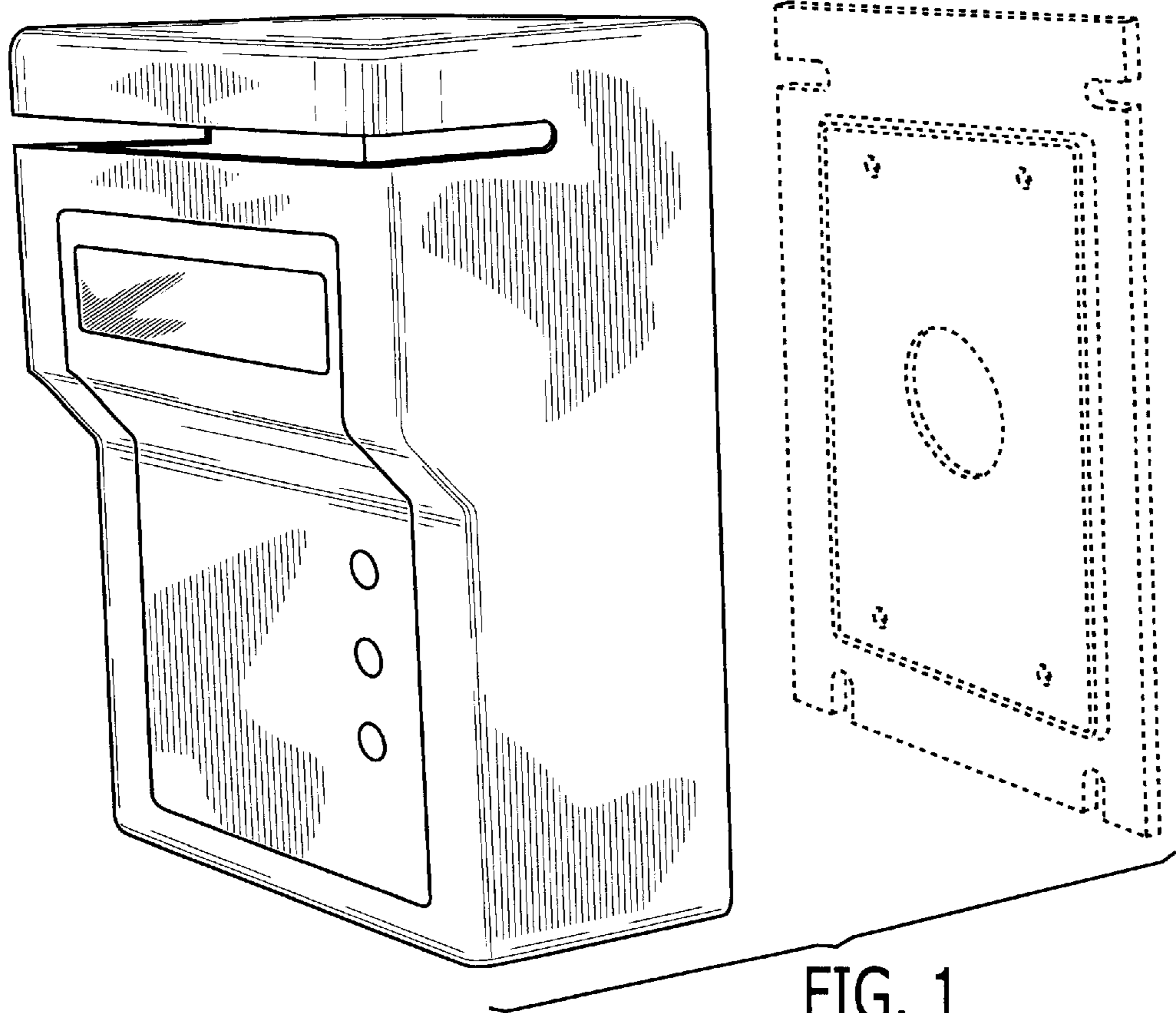


FIG. 1

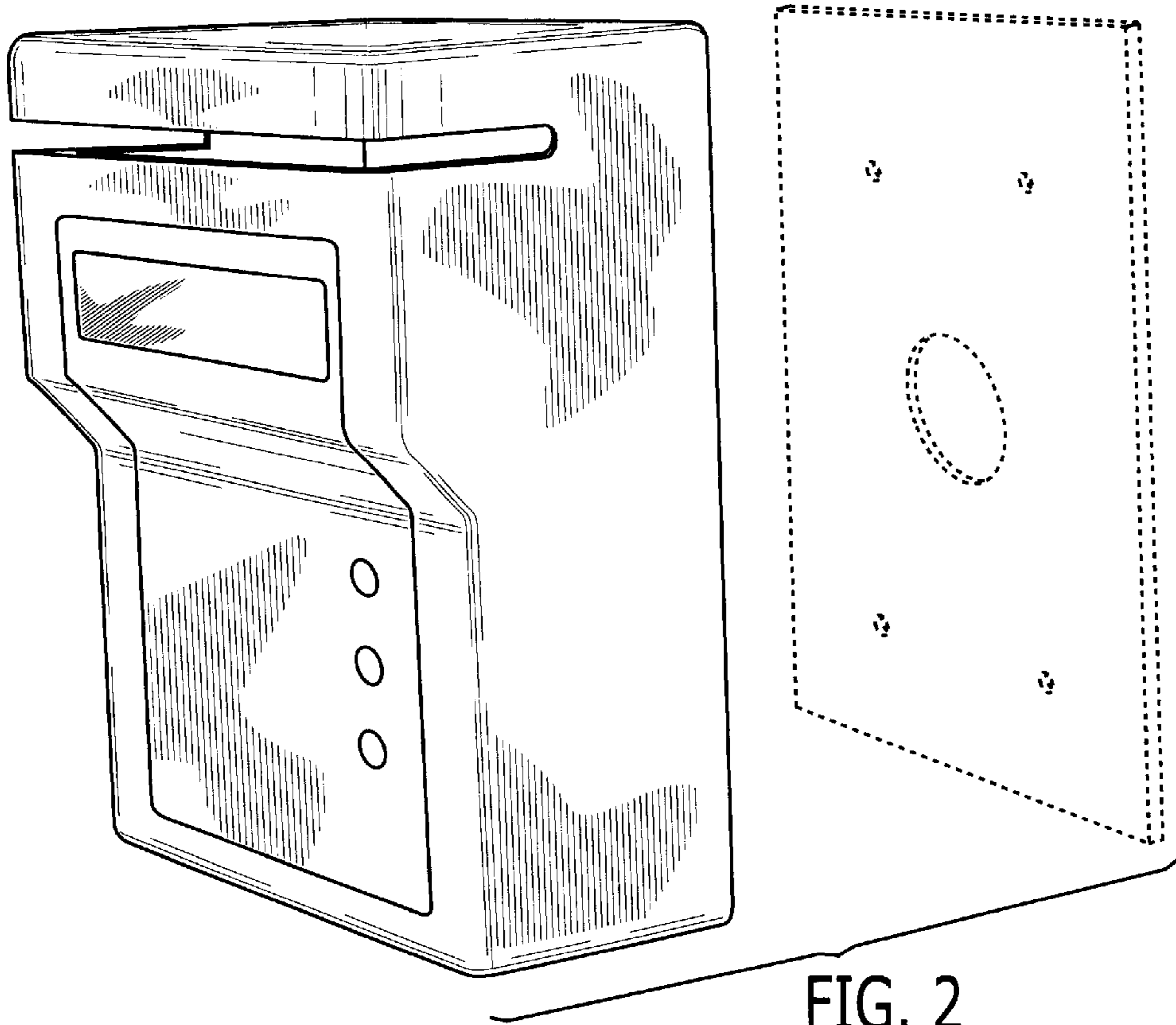


FIG. 2

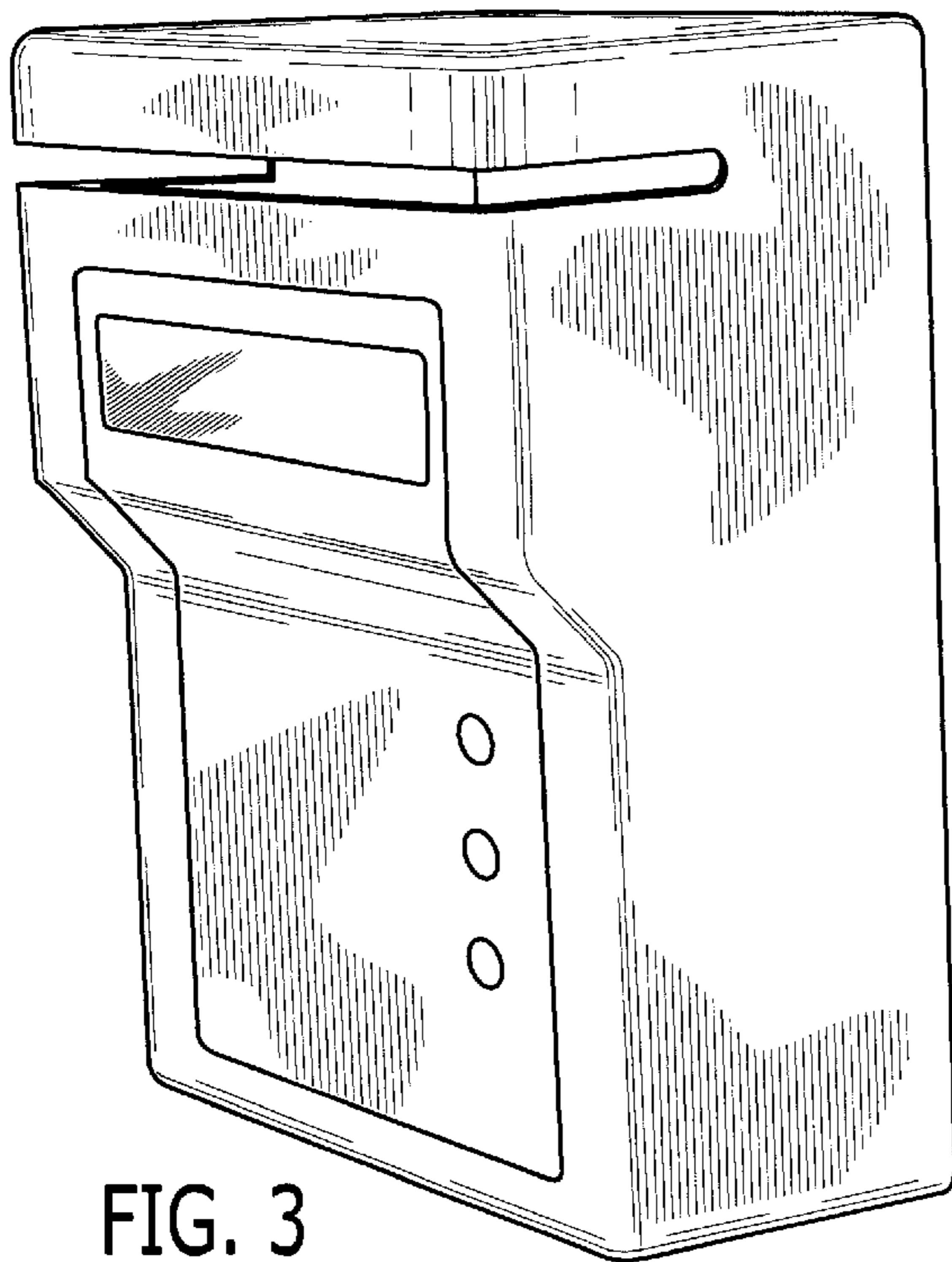


FIG. 3

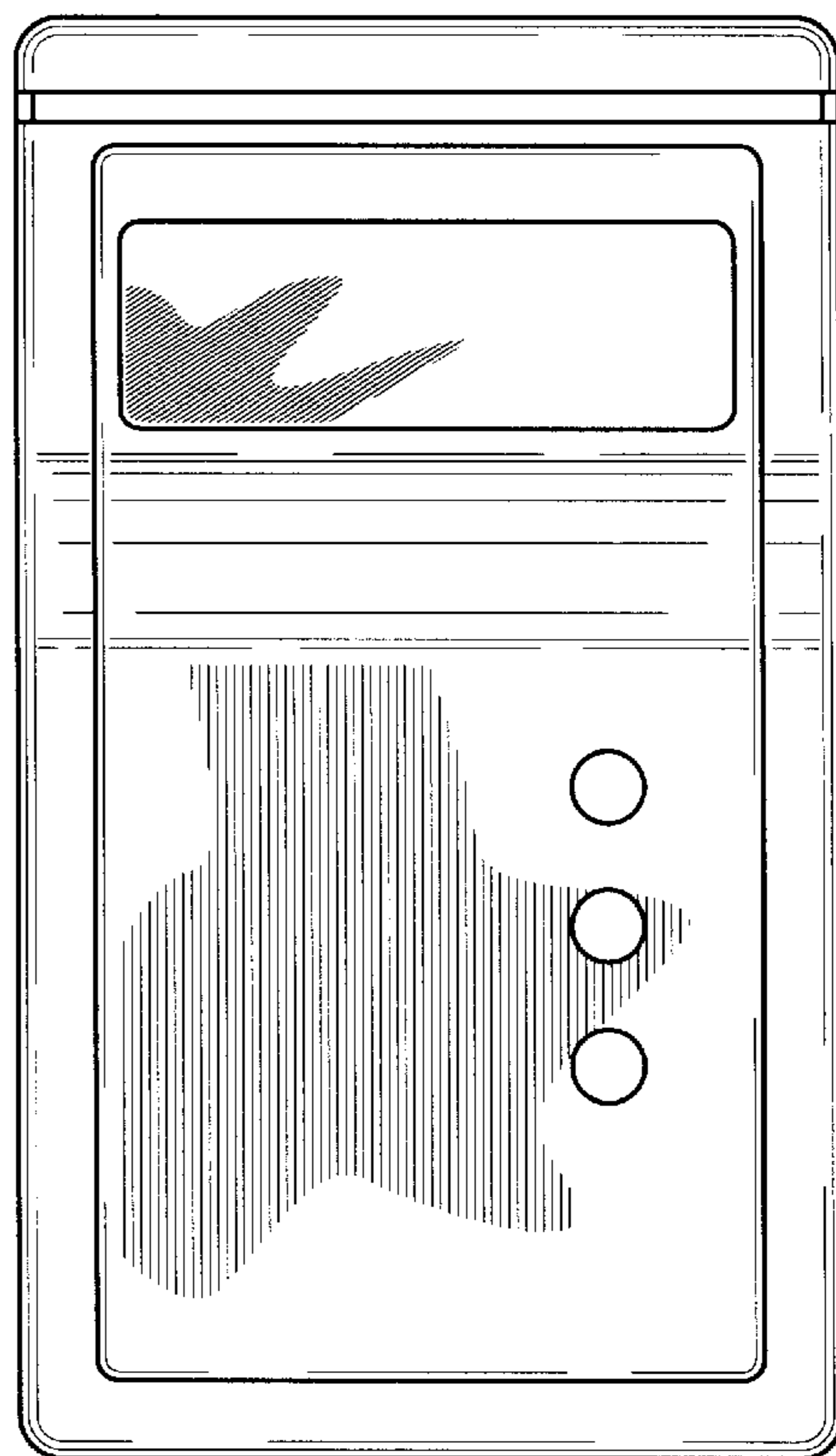


FIG. 4

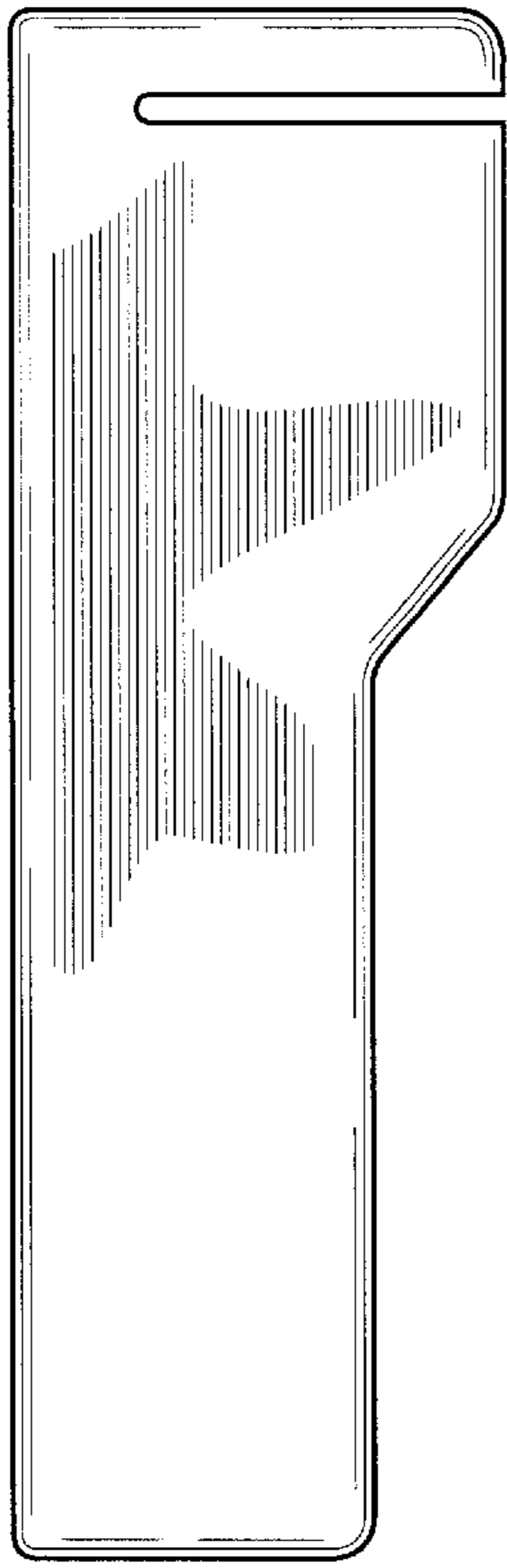


FIG. 5

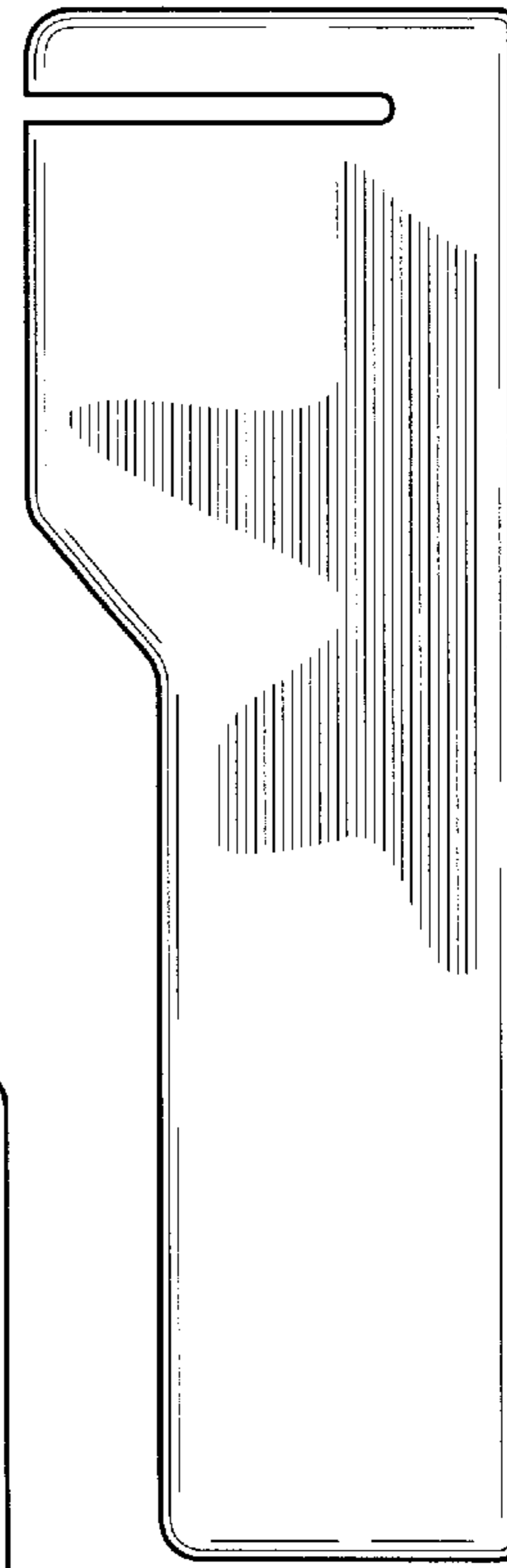


FIG. 6

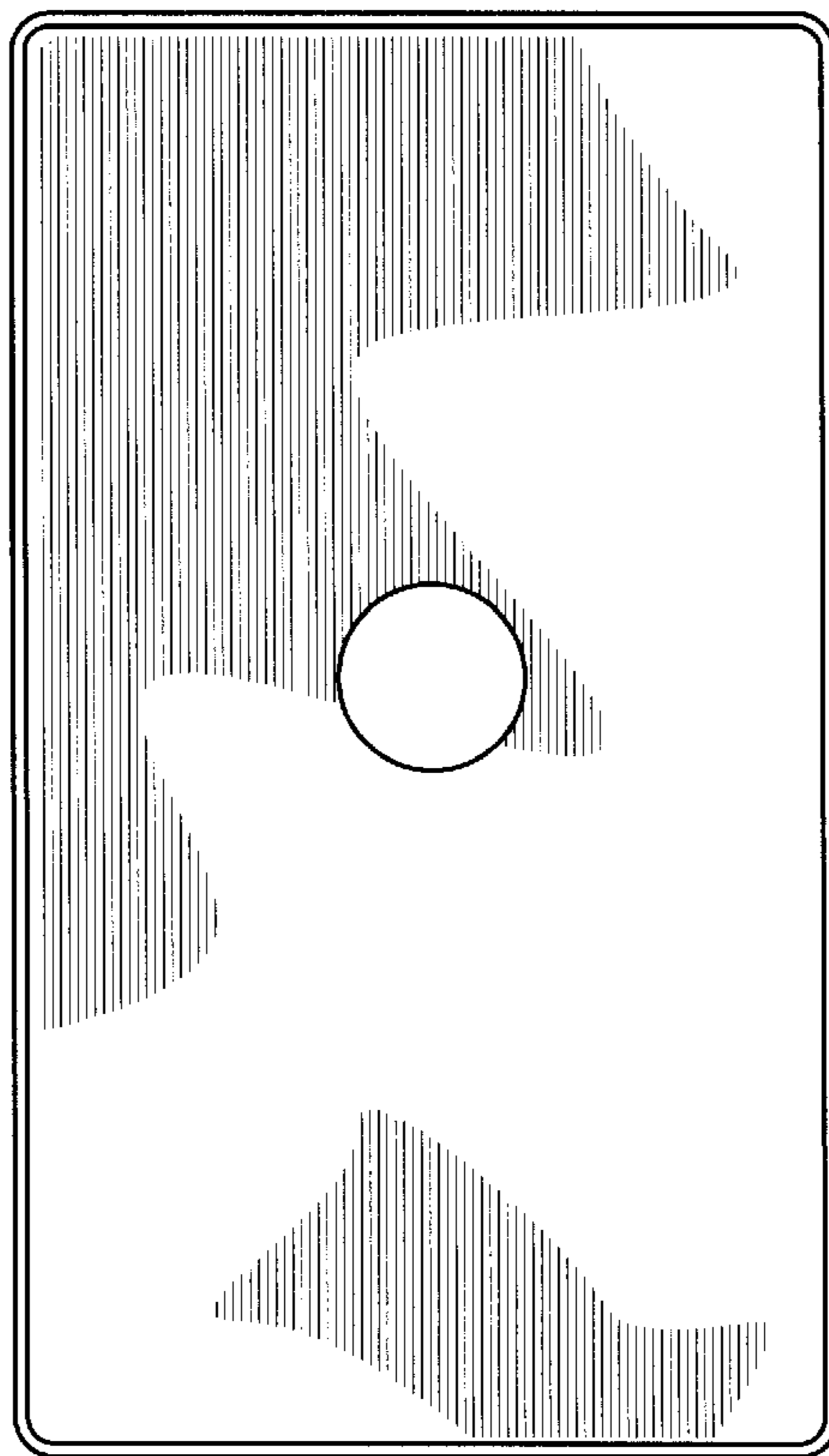


FIG. 7

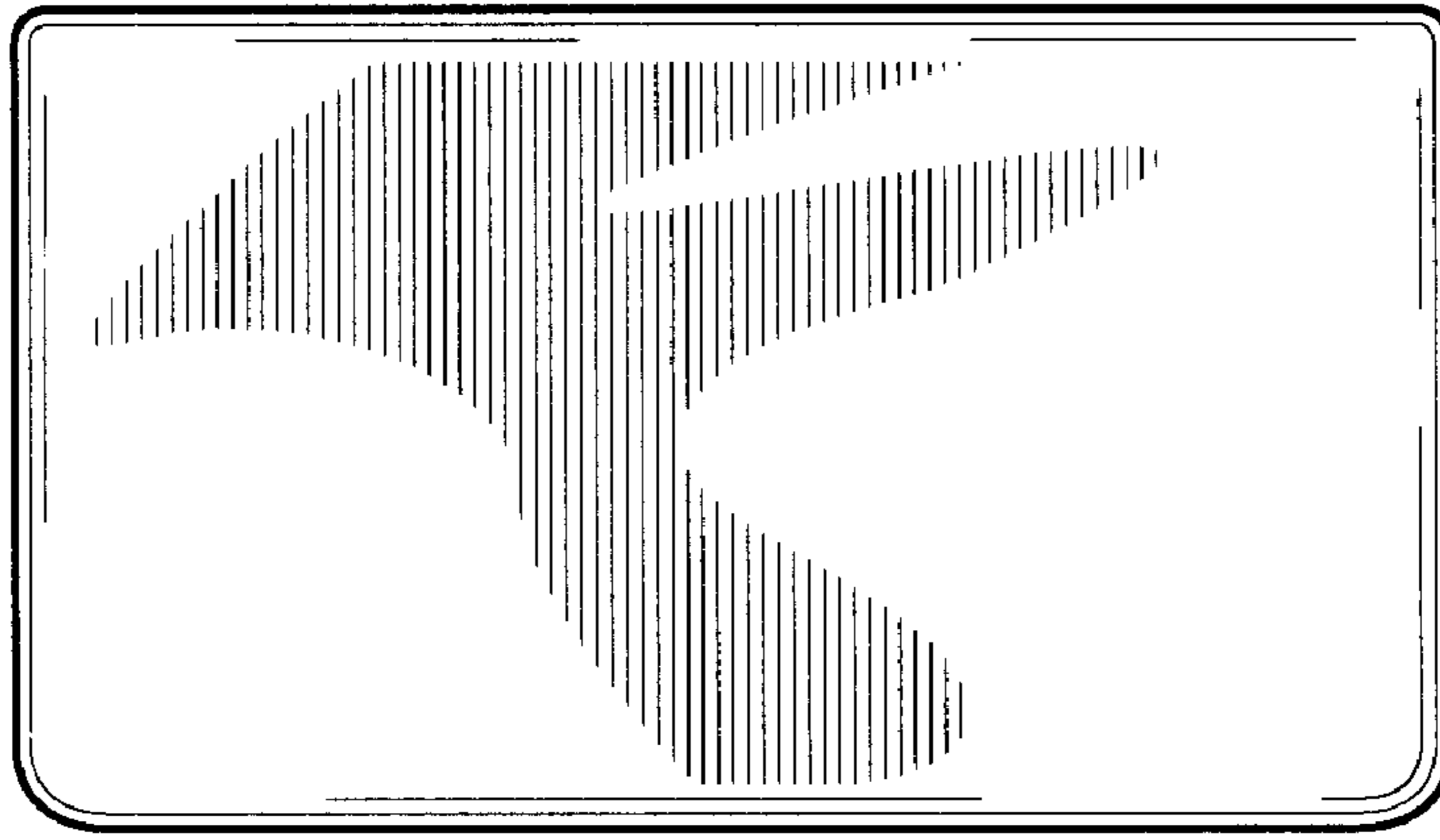


FIG. 8

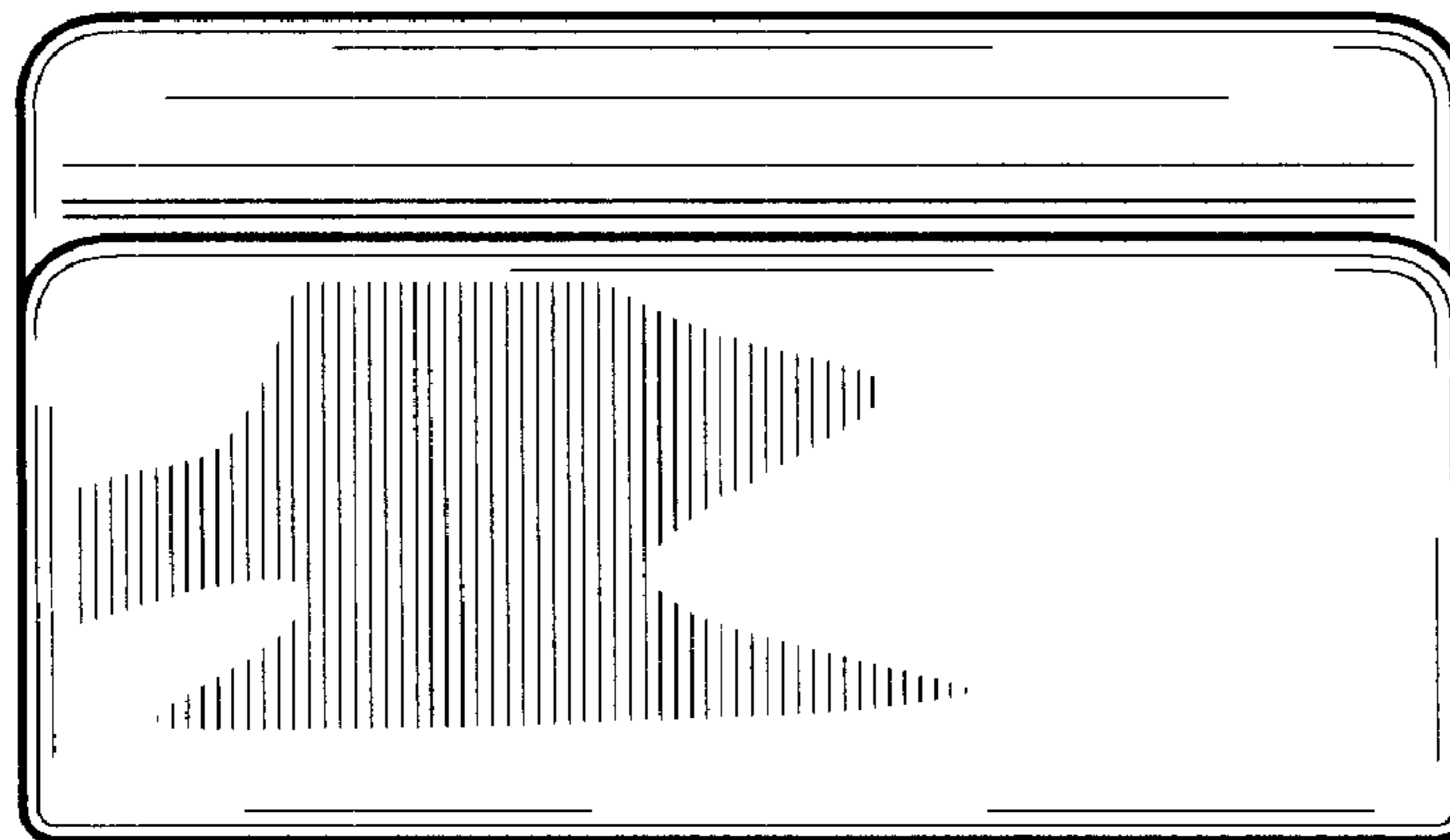


FIG. 9