



US00D477029S

(12) **United States Design Patent**
Korowitz

(10) **Patent No.:** **US D477,029 S**

(45) **Date of Patent:** **** Jul. 8, 2003**

(54) **MEMO HOLDER WITH PEN CLIP**

OTHER PUBLICATIONS

(75) Inventor: **William Korowitz**, Alpharetta, GA (US)

Magnet, LLC "Power Clip", circa 2000.

(73) Assignee: **Magnet, LLC**, Washington, MO (US)

* cited by examiner

(**) Term: **14 Years**

Primary Examiner—Martie K. Holtje

(74) *Attorney, Agent, or Firm*—Thompson Coburn, LLP

(21) Appl. No.: **29/167,896**

(57) **CLAIM**

(22) Filed: **Sep. 23, 2002**

The ornamental design for a memo holder with pen clip, as shown and described.

(51) **LOC (7) Cl.** **19-06**

DESCRIPTION

(52) **U.S. Cl.** **D19/78; D19/65; D8/395**

(58) **Field of Search** D19/65, 75, 77, D19/78, 81–85, 86, 88, 90, 91, 99, 100; 248/441.1, 451, 217.3; 24/67.1–67.11, 67 R, 499, 11 PP, 509, 11 M, 510, 536; D8/394, 395, 396

FIG. 1 is a perspective view of a memo holder with pen clip of the present invention showing my new design; FIG. 2 is a right side elevational view of the memo holder with pen clip of FIG. 1; FIG. 3 is a left side elevational view of the memo holder with pen clip of FIG. 1; FIG. 4 is a rear elevational view of the memo holder with pen clip of FIG. 1; FIG. 5 is a front elevational view of the memo holder with pen clip of FIG. 1; FIG. 6 is a top plan view of the memo holder with pen clip of FIG. 1; and, FIG. 7 is a bottom plan view of the memo holder with pen clip of FIG. 1.

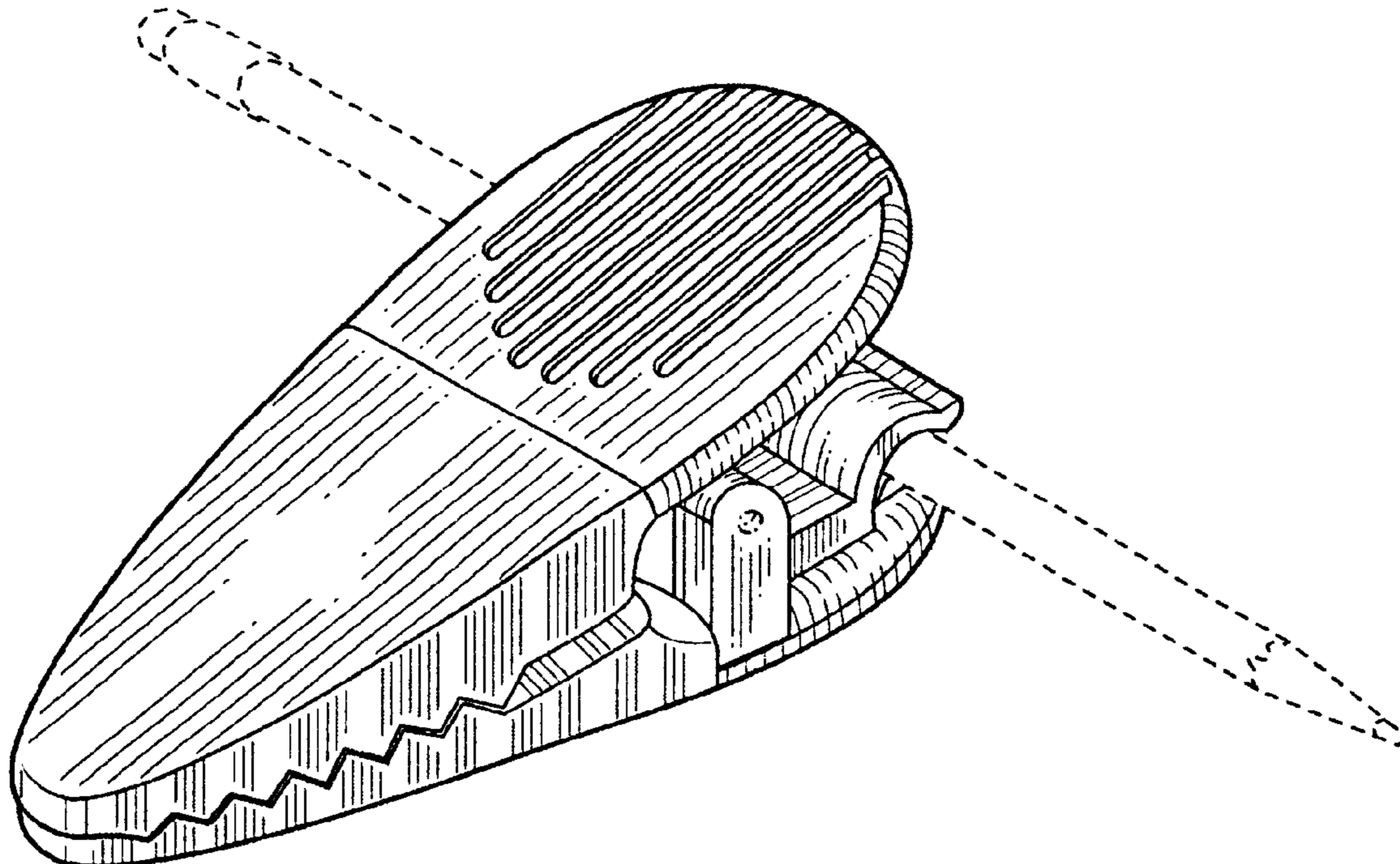
(56) **References Cited**

U.S. PATENT DOCUMENTS

637,889 A	11/1899	Parker et al.	
803,464 A	10/1905	Beck	
1,481,984 A	* 1/1924	Carnett	24/11 PP
D148,461 S	* 1/1948	Alberto	D19/65 X
3,780,402 A	* 12/1973	Takabayashi	24/510
D352,963 S	* 11/1994	Siler	D19/83
5,666,702 A	* 9/1997	Ming-Chieh	24/510
D405,828 S	2/1999	Richter	
5,946,778 A	* 9/1999	McGarity	24/536
D445,834 S	* 7/2001	Huang	D19/78

Broken line representations of a pencil in FIG. 1 and spring in FIGS. 2–4 are provided to show environment, but do not form a part of the claimed design.

1 Claim, 2 Drawing Sheets



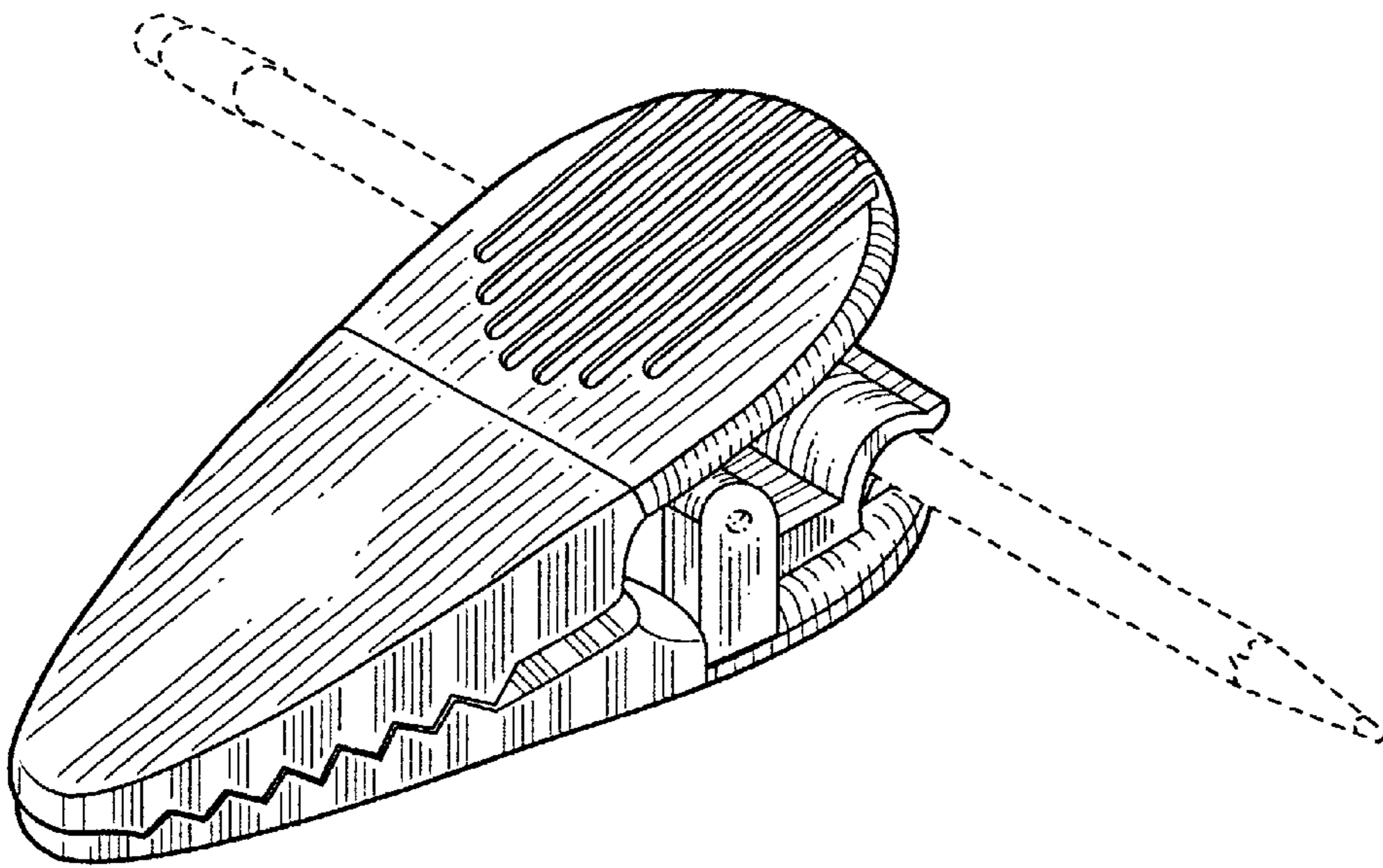


Fig. 1

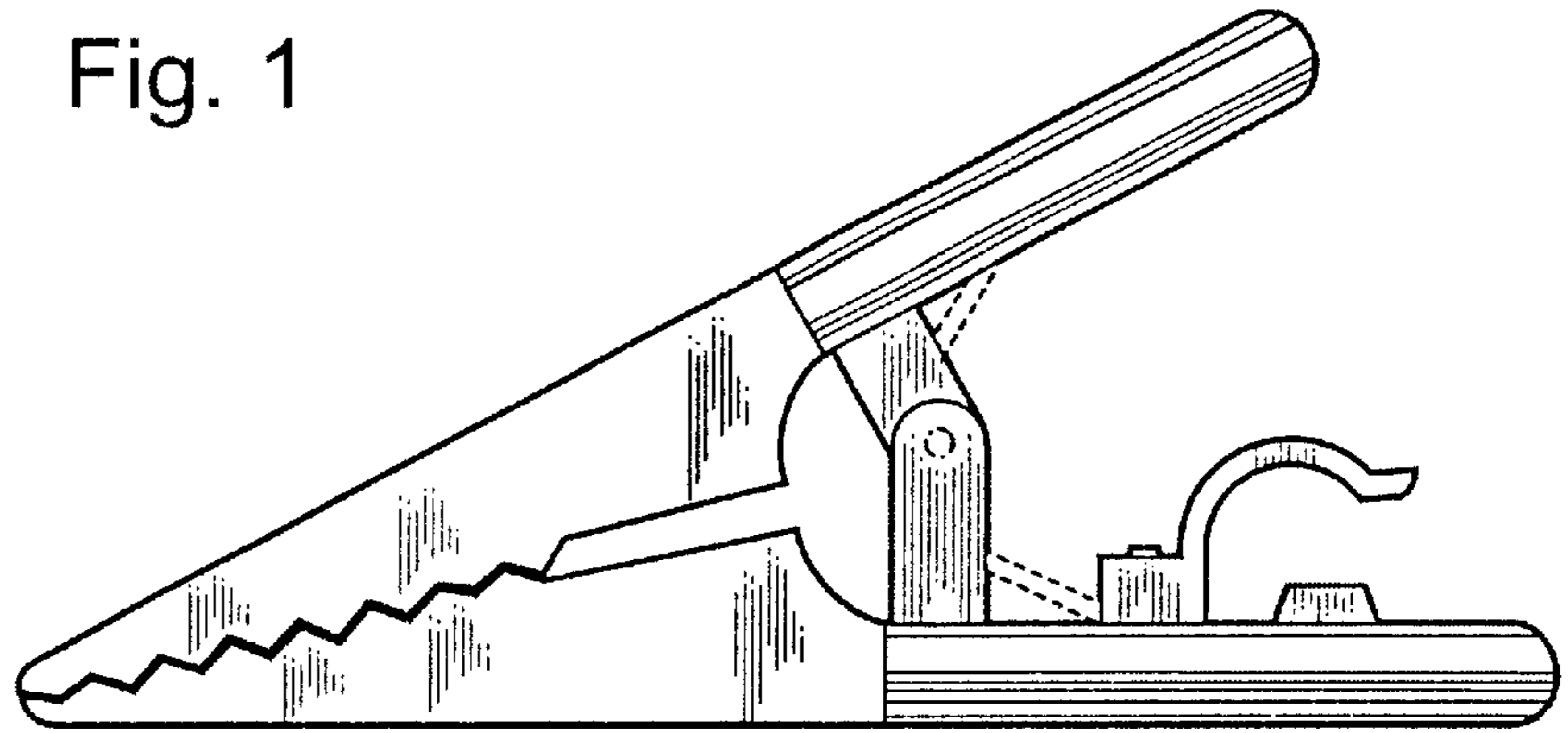


Fig. 2

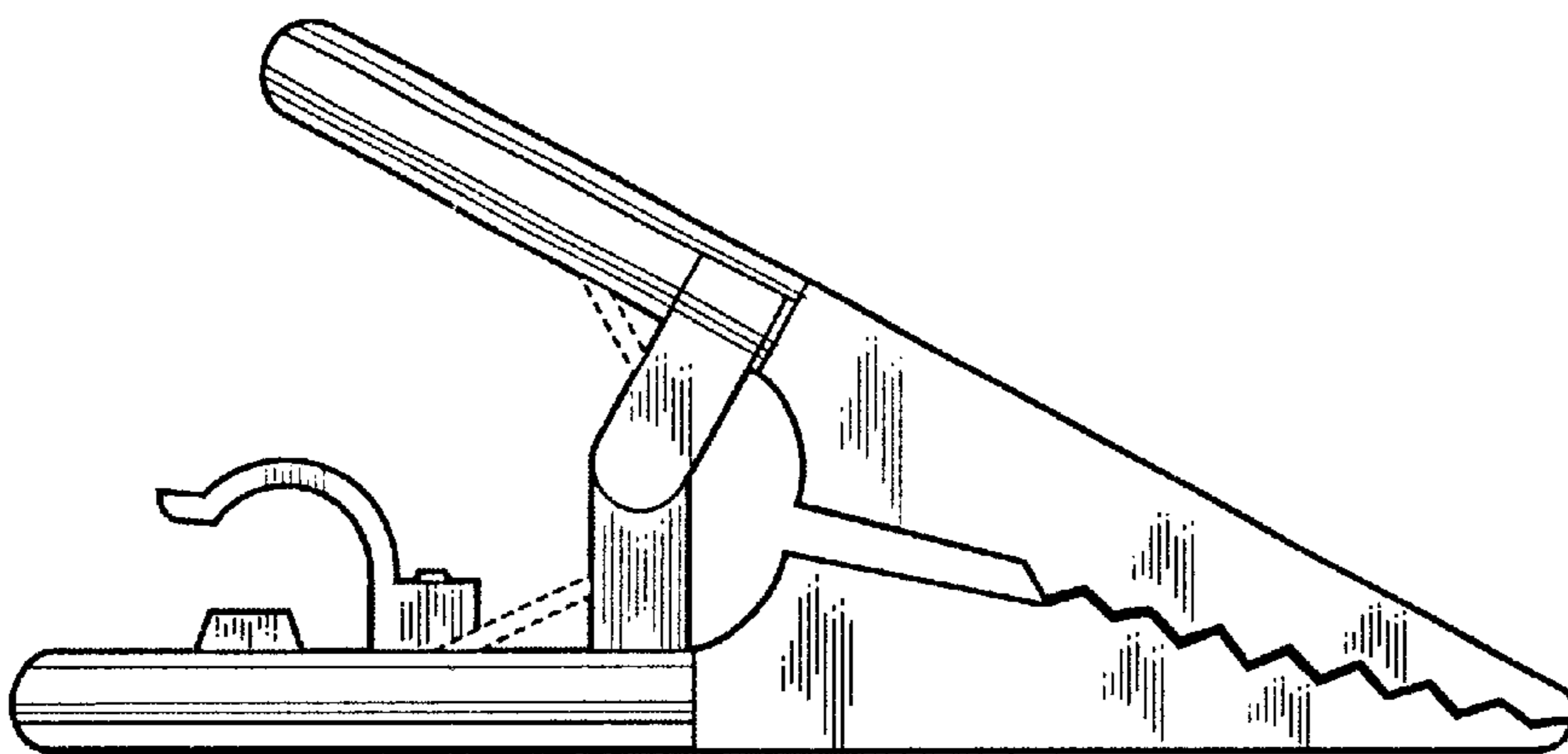


Fig. 3

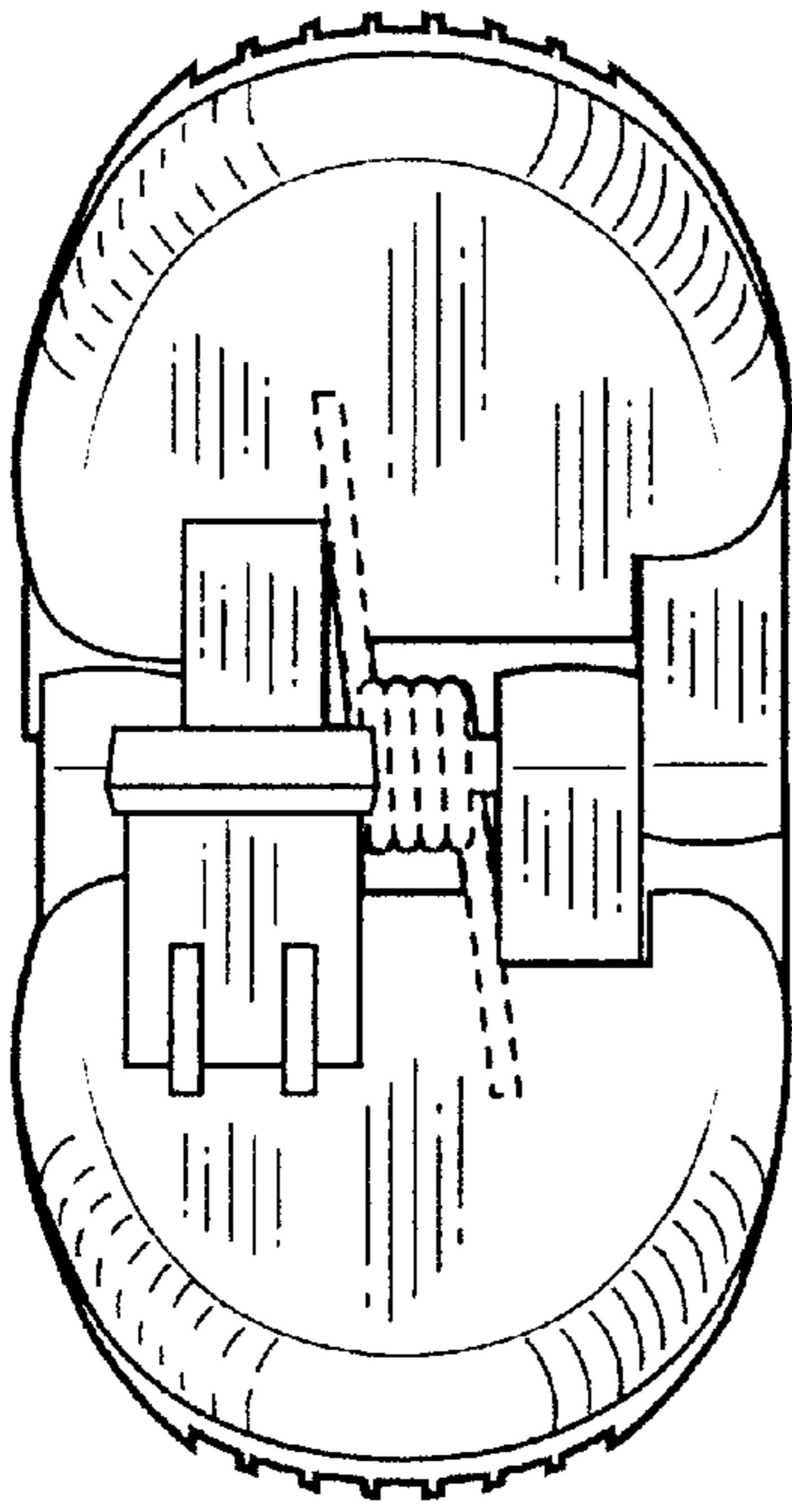


Fig. 4

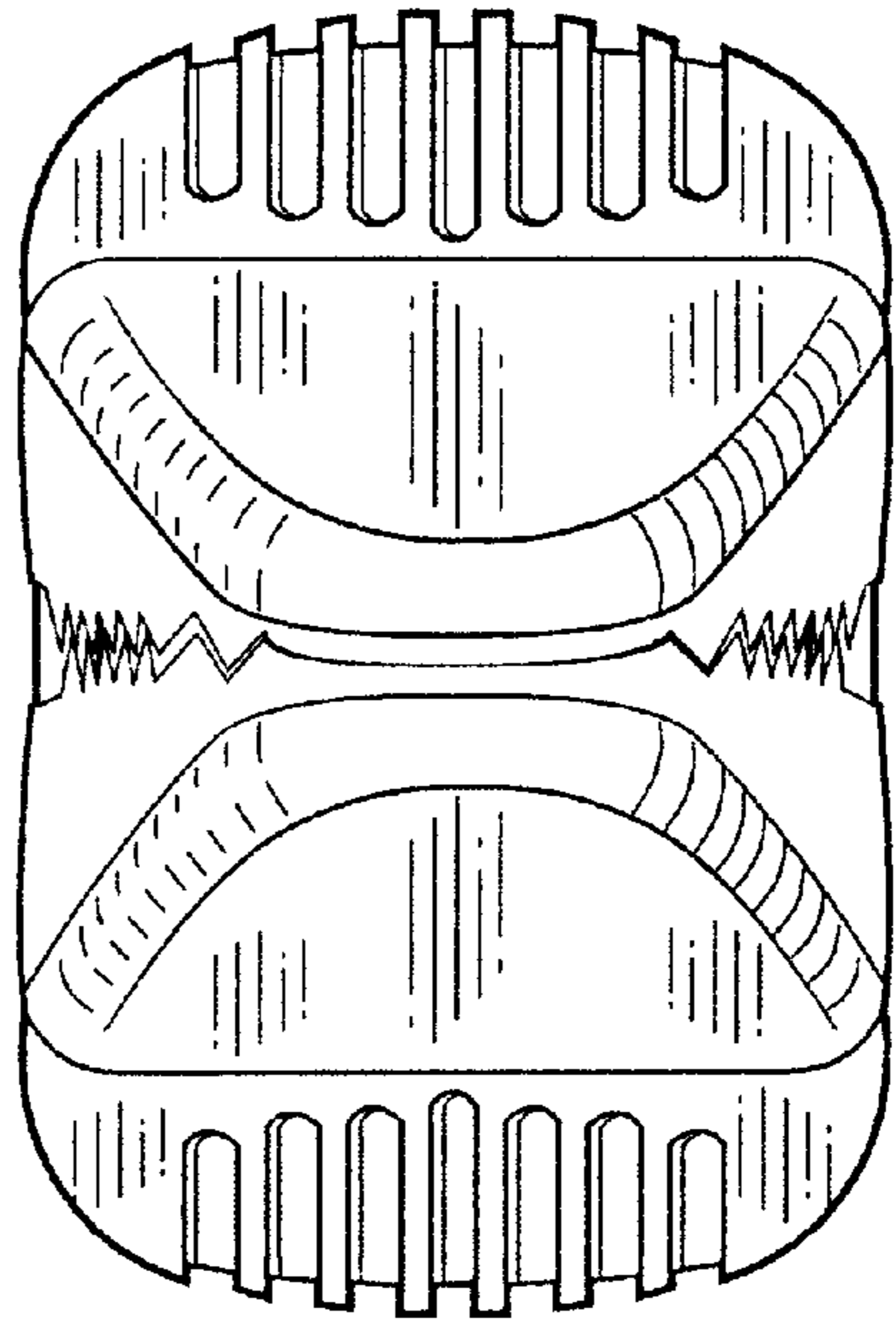


Fig. 5

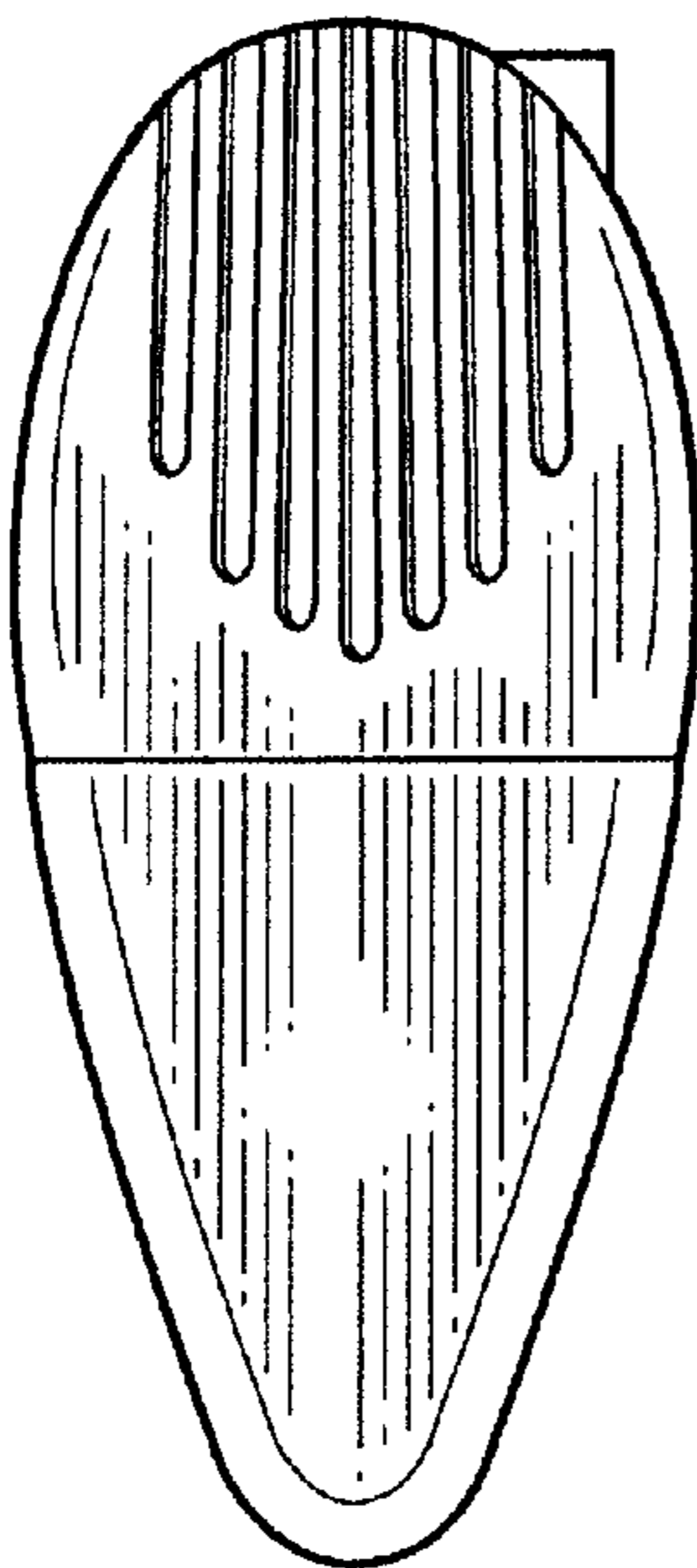


Fig. 6

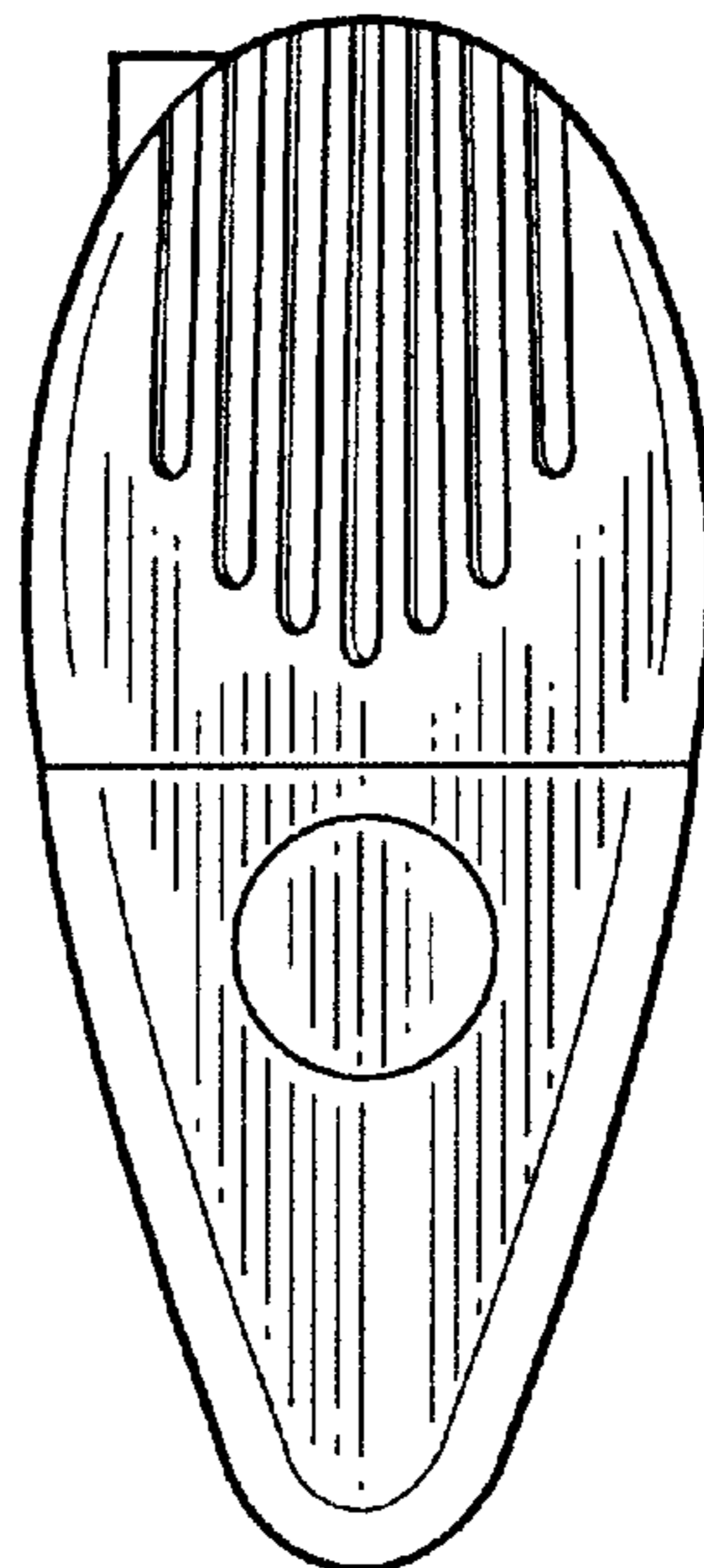


Fig. 7