



US00D477024S

(12) **United States Design Patent**  
**Shimizu**

(10) **Patent No.:** **US D477,024 S**

(45) **Date of Patent:** **\*\* Jul. 8, 2003**

(54) **MECHANICAL PENCIL**

(75) Inventor: **Kazuhisa Shimizu**, Chuo-ku (JP)

(73) Assignee: **Pentel Kabushiki Kaisha** (JP)

(\*\*) Term: **14 Years**

(21) Appl. No.: **29/163,862**

(22) Filed: **Jul. 12, 2002**

(30) **Foreign Application Priority Data**

Jan. 15, 2002 (JP) ..... 2002-000707

(51) **LOC (7) Cl.** ..... **19-06**

(52) **U.S. Cl.** ..... **D19/50; D19/56**

(58) **Field of Search** ..... D19/35, 36, 41-51,  
D19/53-58, 81-85; 409/99, 100, 101, 103-106,  
107-110, 111-117, 209, 6, 7, 88

(56) **References Cited**

**U.S. PATENT DOCUMENTS**

D138,825 S \* 9/1944 Waldinger ..... D19/50  
D359,307 S \* 6/1995 Anavil et al. .... D19/50

D393,876 S \* 4/1998 Gray et al. .... D19/50  
D403,705 S \* 1/1999 Izushima et al. .... D19/51  
D430,209 S \* 8/2000 Rommel ..... D19/50  
D441,017 S \* 4/2001 Gault et al. .... D19/50  
D456,845 S \* 5/2002 Rommel ..... D19/49  
D463,821 S \* 10/2002 Nishida ..... D19/47

\* cited by examiner

*Primary Examiner*—Martie K. Holtje

(74) *Attorney, Agent, or Firm*—Adams & Wilks

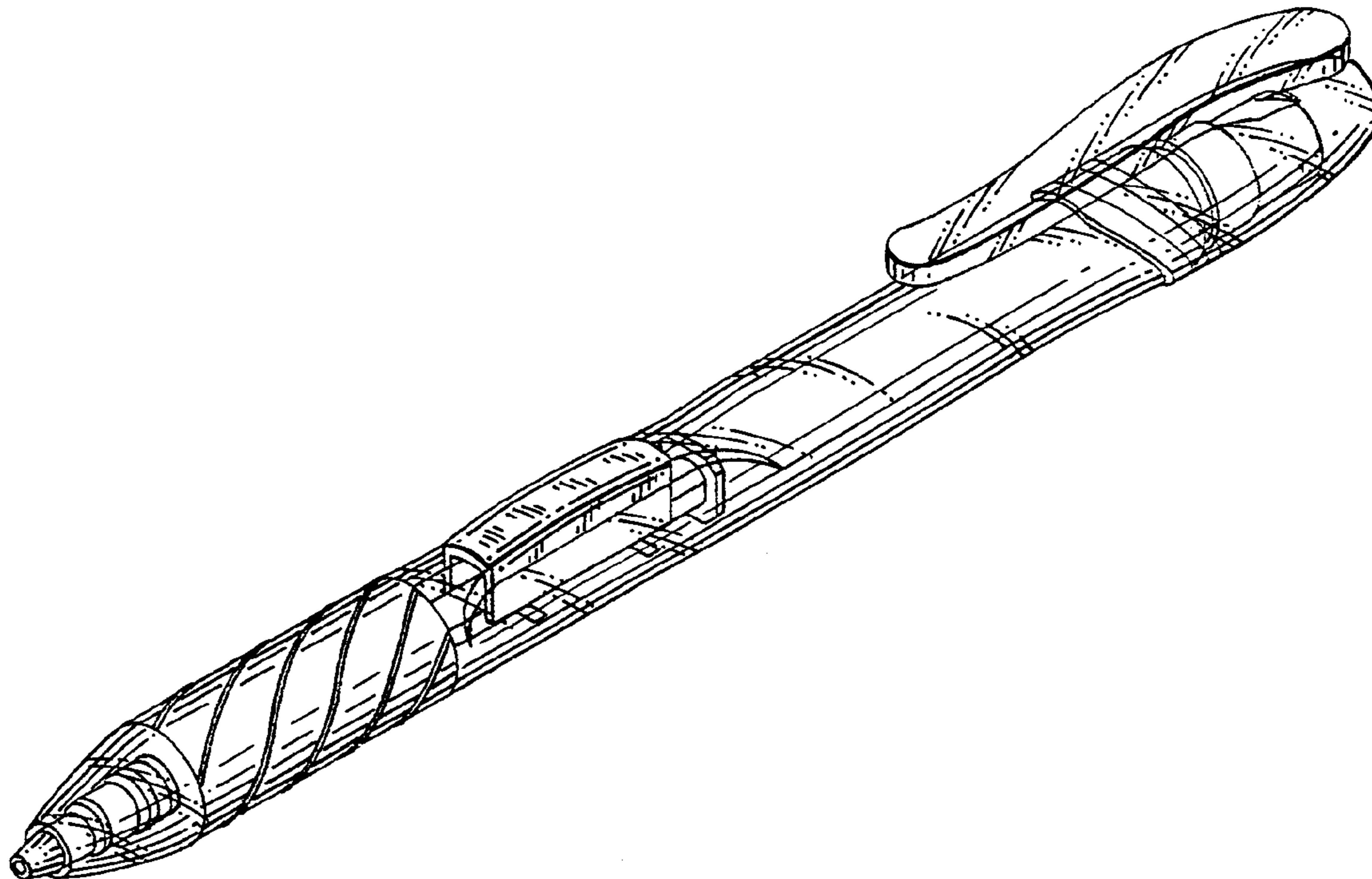
(57) **CLAIM**

The ornamental design for a mechanical pencil, as shown and described.

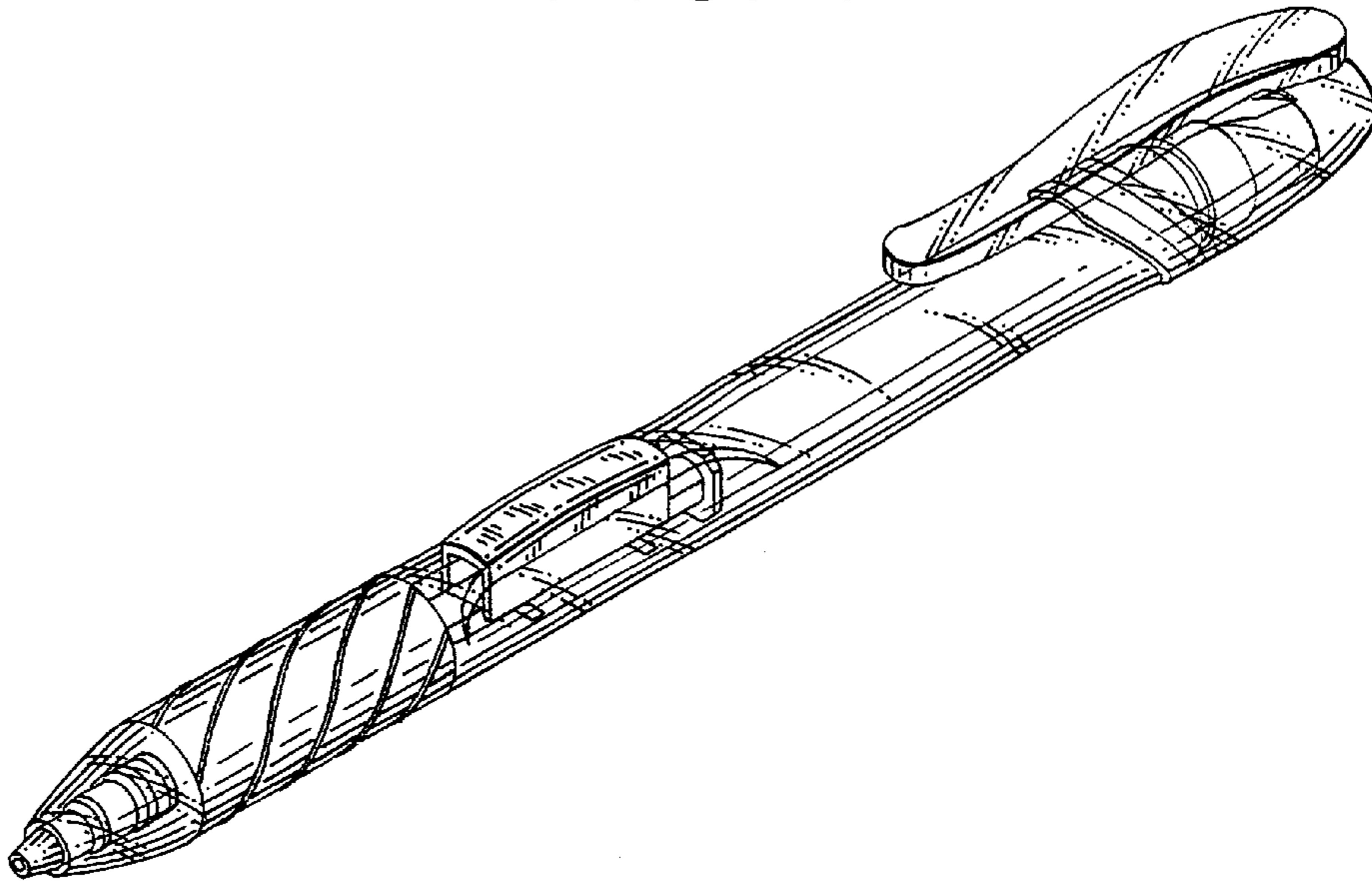
**DESCRIPTION**

FIG. 1 is a front, right perspective view of a mechanical pencil showing my new design;  
FIG. 2 is a front elevational view thereof;  
FIG. 3 is a right side elevational view thereof;  
FIG. 4 is a rear elevational view thereof;  
FIG. 5 is a top plan view thereof; and,  
FIG. 6 is a bottom plan view thereof.

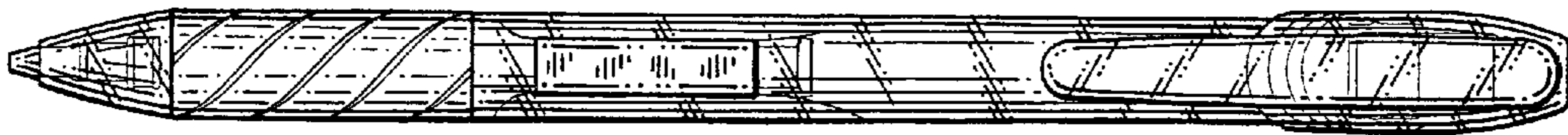
**1 Claim, 2 Drawing Sheets**



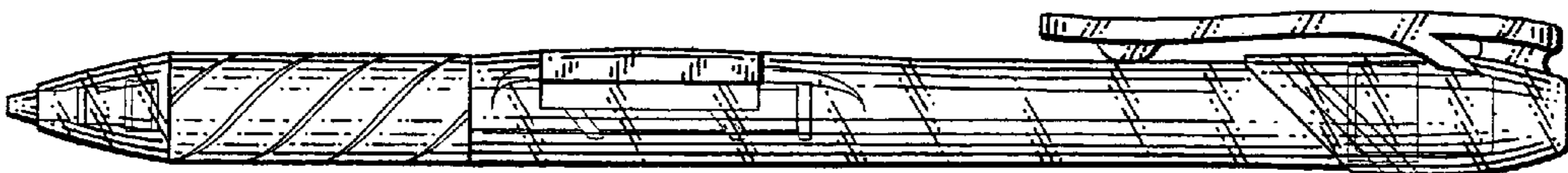
**FIG. 1**



**FIG. 2**



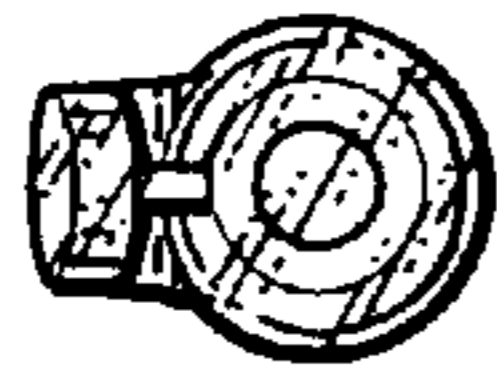
**FIG. 3**



**FIG. 4**



**FIG. 5**



**FIG. 6**

