



US00D477023S

(12) **United States Design Patent**  
**Rosenbaum**

(10) **Patent No.:** **US D477,023 S**

(45) **Date of Patent:** **\*\* Jul. 8, 2003**

(54) **WRITING INSTRUMENT**

(75) Inventor: **Barry Rosenbaum**, West Bloomfield,  
MI (US)

(73) Assignee: **Advance Watch Company, Ltd.**,  
Warren, MI (US)

(\*\*) Term: **14 Years**

(21) Appl. No.: **29/147,755**

(22) Filed: **Sep. 4, 2001**

(51) **LOC (7) Cl.** ..... **19-06**

(52) **U.S. Cl.** ..... **D19/36; D19/44; D19/51;**  
**D10/68; D3/208**

(58) **Field of Search** ..... **D19/35, 36, 41-51,**  
**D19/53-58, 81-85; 401/6, 7, 88, 52, 195,**  
**209, 99, 100; D10/68; D3/208, 207, 210;**  
**24/599.1-599.9, 598.2; 70/456, 459**

(56) **References Cited**

**U.S. PATENT DOCUMENTS**

D80,352 S	1/1930	Cuthbert et al.	
D80,362 S	* 1/1930	Cuthbert et al.	D19/44
D81,748 S	8/1930	Kahn	
D142,330 S	* 8/1945	Trollen	D19/36
D202,674 S	* 10/1965	Dales	D19/44
D202,843 S	* 11/1965	Dales	D19/36
D276,479 S	11/1984	Mori	
D280,110 S	8/1985	Brooks	
D285,865 S	* 9/1986	Gamble	D3/211
4,626,118 A	* 12/1986	Bellavance	401/195 X
D300,087 S	3/1989	Henderson	
D301,513 S	6/1989	Wright	
D307,671 S	* 5/1990	Satterly	D3/208
D310,449 S	* 9/1990	Agrippino	D3/208
4,974,982 A	* 12/1990	Nielson	401/195
D332,625 S	* 1/1993	LaPerche	D19/44
5,384,943 A	1/1995	LeFebvre et al.	
D355,441 S	2/1995	Rosenbaum	
D359,982 S	7/1995	Rosenbaum	
D359,983 S	7/1995	Rosenbaum	
D383,304 S	* 9/1997	Van Osch	D3/208
D395,917 S	7/1998	Rosenbaum	
D395,918 S	7/1998	Rosenbaum	
D395,919 S	7/1998	Rosenbaum	

D407,212 S	* 3/1999	Molaro	D3/211
D433,446 S	11/2000	Rosenbaum	
D433,447 S	11/2000	Rosenbaum	
D433,448 S	11/2000	Rosenbaum	
D436,126 S	1/2001	Rosenbaum	
D436,375 S	1/2001	Rosenbaum	
D436,622 S	1/2001	Rosenbaum	
D437,995 S	* 2/2001	Perthou	D3/207
D438,903 S	3/2001	Rosenbaum	
D439,277 S	3/2001	Rosenbaum	
D447,178 S	8/2001	Rosenbaum	
D449,438 S	10/2001	Simond	
D449,857 S	* 10/2001	Rosenbaum	D19/44
D450,086 S	11/2001	Rosenbaum	
D450,764 S	11/2001	Rosenbaum	
D450,765 S	11/2001	Rosenbaum	
D450,766 S	11/2001	Rosenbaum	
D451,138 S	11/2001	Rosenbaum	

**OTHER PUBLICATIONS**

“KeyHolder, Chain, Magnifying Glass.”, Chung Nin Metal  
Manufactory (Hong Kong Enterprise Catalogue, Jun., 1981,  
p. 147).

“Smoothest for Writing Study and Promotion”, (Hong Kong  
Enterprise Catalogue, Oct. 1981, p. 226).

\* cited by examiner

*Primary Examiner*—Martie K. Holtje

(74) *Attorney, Agent, or Firm*—Brooks & Kushman P.C.

(57) **CLAIM**

The ornamental design for a writing instrument, as shown  
and described.

**DESCRIPTION**

FIG. 1 is a front elevational view of a writing instrument  
showing my new design, the rear view being a mirror image  
thereof;

FIG. 2 is a right side elevational view;

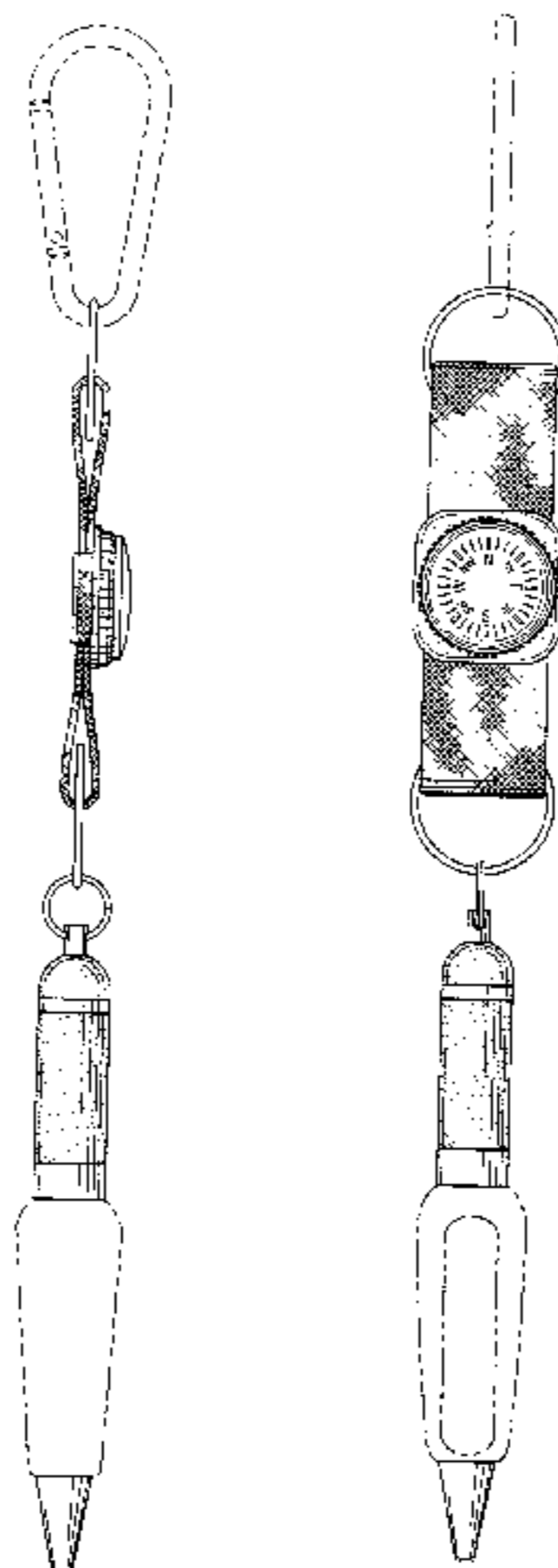
FIG. 3 is a left side elevational view;

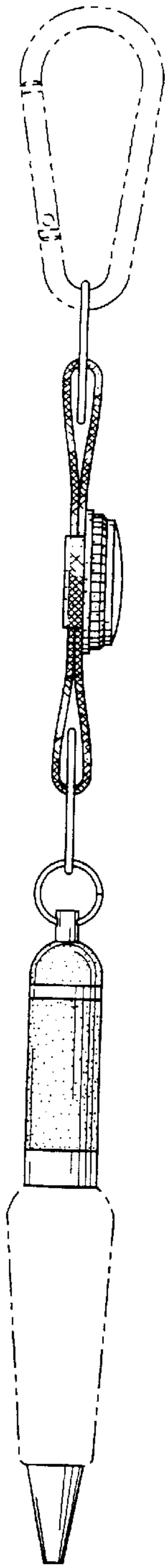
FIG. 4 is a top plan view; and,

FIG. 5 is a bottom plan view thereof.

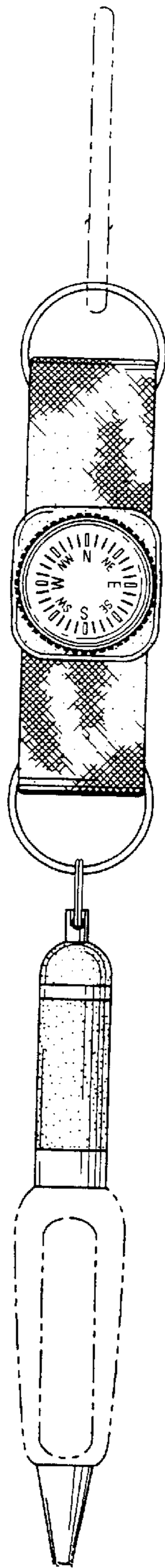
The portions of the writing instrument depicted by means of  
broken lines have been shown for illustrative purposes only  
and form no part of the claimed design.

**1 Claim, 1 Drawing Sheet**

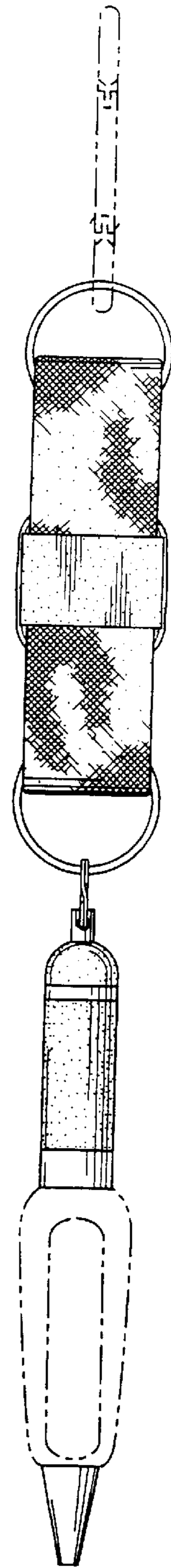




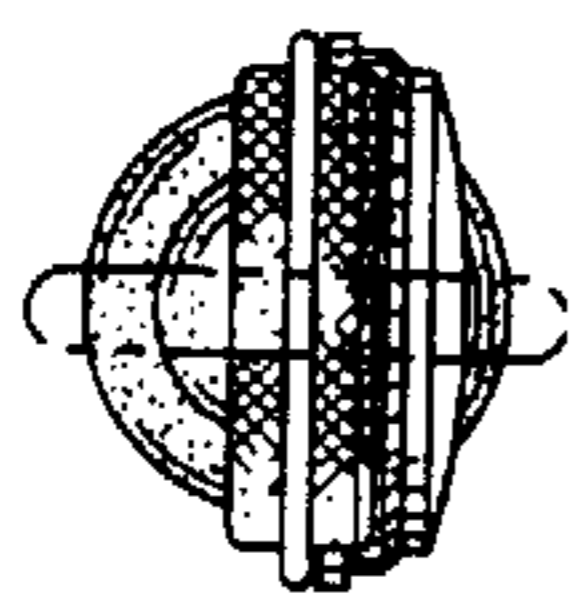
*Fig. 1*



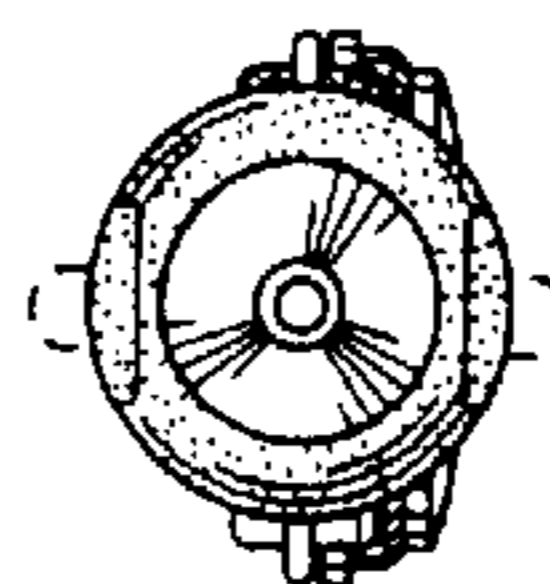
*Fig. 2*



*Fig. 3*



*Fig. 4*



*Fig. 5*