



US00D477020S

(12) **United States Design Patent**
Seino

(10) **Patent No.:** **US D477,020 S**

(45) **Date of Patent:** **** Jul. 8, 2003**

(54) **INK CARTRIDGE FOR PRINTER**

(75) Inventor: **Takeo Seino, Suwa (JP)**

(73) Assignee: **Seiko Epson Corporation, Tokyo (JP)**

(**) Term: **14 Years**

(21) Appl. No.: **29/161,422**

(22) Filed: **May 29, 2002**

(30) **Foreign Application Priority Data**

Mar. 22, 2002 (JP) 2002-007559
Mar. 22, 2002 (JP) 2002-007560

(51) **LOC (7) Cl.** **18-02**

(52) **U.S. Cl.** **D18/56; 347/86**

(58) **Field of Search** **D18/43, 56; 347/86, 347/87**

(56) **References Cited**

U.S. PATENT DOCUMENTS

4,551,734	A	11/1985	Causley et al.
4,855,762	A	8/1989	Suzuki
4,959,667	A	9/1990	Kaplinsky
D321,900	S	11/1991	Kumagi
5,113,206	A	5/1992	Fukazawa
D330,387	S	10/1992	Kawakami

(List continued on next page.)

FOREIGN PATENT DOCUMENTS

GB	2005961	4/1990
JP	828575	11/1991
JP	828707	11/1991
JP	887571	10/1993
JP	6-15835	1/1994

Primary Examiner—Cathy Anne MacCormac

(74) *Attorney, Agent, or Firm*—Stroock & Stroock & Lavan LLP

(57) **CLAIM**

The ornamental design for an ink cartridge for printer, as shown and described.

DESCRIPTION

FIG. 1 is a top, front and left side perspective view of an ink cartridge for printer showing my new design;

FIG. 2 is a bottom, rear and right side perspective view thereof;

FIG. 3 is a front view thereof;

FIG. 4 is a rear view thereof;

FIG. 5 is a top plan view thereof;

FIG. 6 is a bottom view thereof;

FIG. 7 is a left side view thereof;

FIG. 8 is a right side view thereof;

FIG. 9 is a top, front and left side perspective view of a second embodiment of an ink cartridge for printer;

FIG. 10 is a bottom, rear and right side perspective view thereof;

FIG. 11 is a front view thereof;

FIG. 12 is a rear view thereof;

FIG. 13 is a top plan view thereof;

FIG. 14 is a bottom view thereof;

FIG. 15 is a left side view thereof;

FIG. 16 is a right side view thereof;

FIG. 17 is a top, front and left side perspective view of a third embodiment of an ink cartridge for printer;

FIG. 18 is a bottom, rear and right side perspective view thereof;

FIG. 19 is a top plan view thereof;

FIG. 20 is a front view thereof;

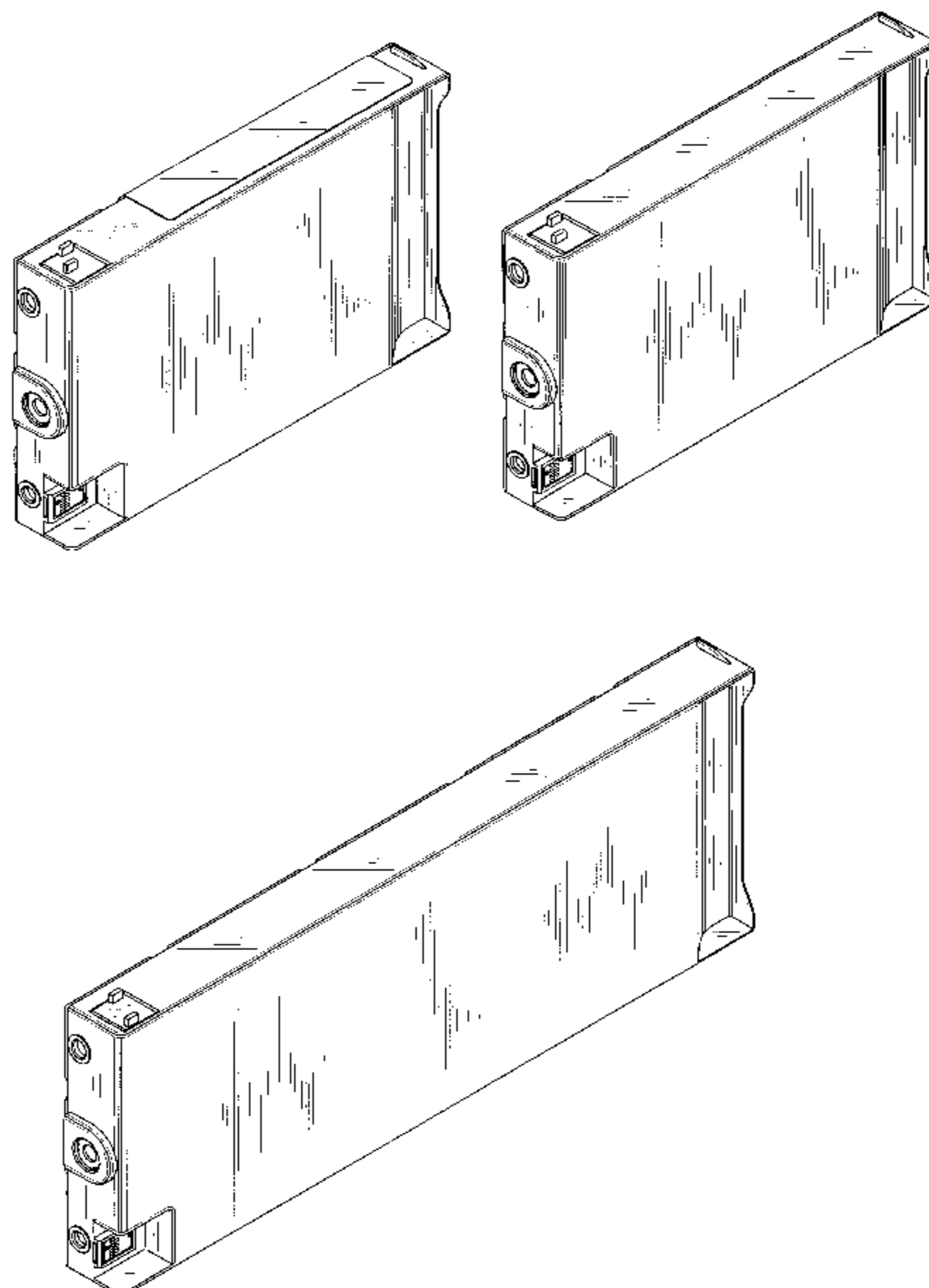
FIG. 21 is a left side view thereof;

FIG. 22 is a right side view thereof;

FIG. 23 is a rear view thereof; and,

FIG. 24 is a bottom view thereof.

1 Claim, 11 Drawing Sheets



US D477,020 S

Page 2

U.S. PATENT DOCUMENTS

5,153,612 A	10/1992	Dunn et al.	D423,043 S	4/2000	Ishigami et al.	
D331,939 S	12/1992	Ujita	6,053,606 A *	4/2000	Yamaguchi et al.	347/86
D334,403 S	3/1993	Kawakami	6,106,112 A *	8/2000	Okubo et al.	347/86
5,216,452 A	6/1993	Suzuki	6,264,314 B1 *	7/2001	Mochizuki et al.	347/86
D349,723 S	8/1994	Ujita	D447,169 S	8/2001	Okubo et al.	
D361,591 S	8/1995	Tokuda et al.	6,270,210 B1 *	8/2001	Yamaguchi et al.	347/86
5,509,140 A	4/1996	Koibashi et al.	D447,513 S	9/2001	Miyazawa et al.	
5,541,631 A	7/1996	Hashimoto	D464,082 S *	10/2002	Yamada et al.	D18/56
5,587,731 A	12/1996	Yasunaga et al.	D464,273 S *	10/2002	Nussbaum	D10/30
5,666,146 A	9/1997	Mochizuki et al.	D466,925 S	12/2002	Ishizawa et al.	
5,805,187 A	9/1998	Sasaki	D467,964 S *	12/2002	Shinano et al.	D18/56
5,821,964 A	10/1998	Bidwell	D468,768 S *	1/2003	Yamada et al.	D18/56
5,889,543 A	3/1999	Miyazawa et al.				

* cited by examiner

FIG. 1

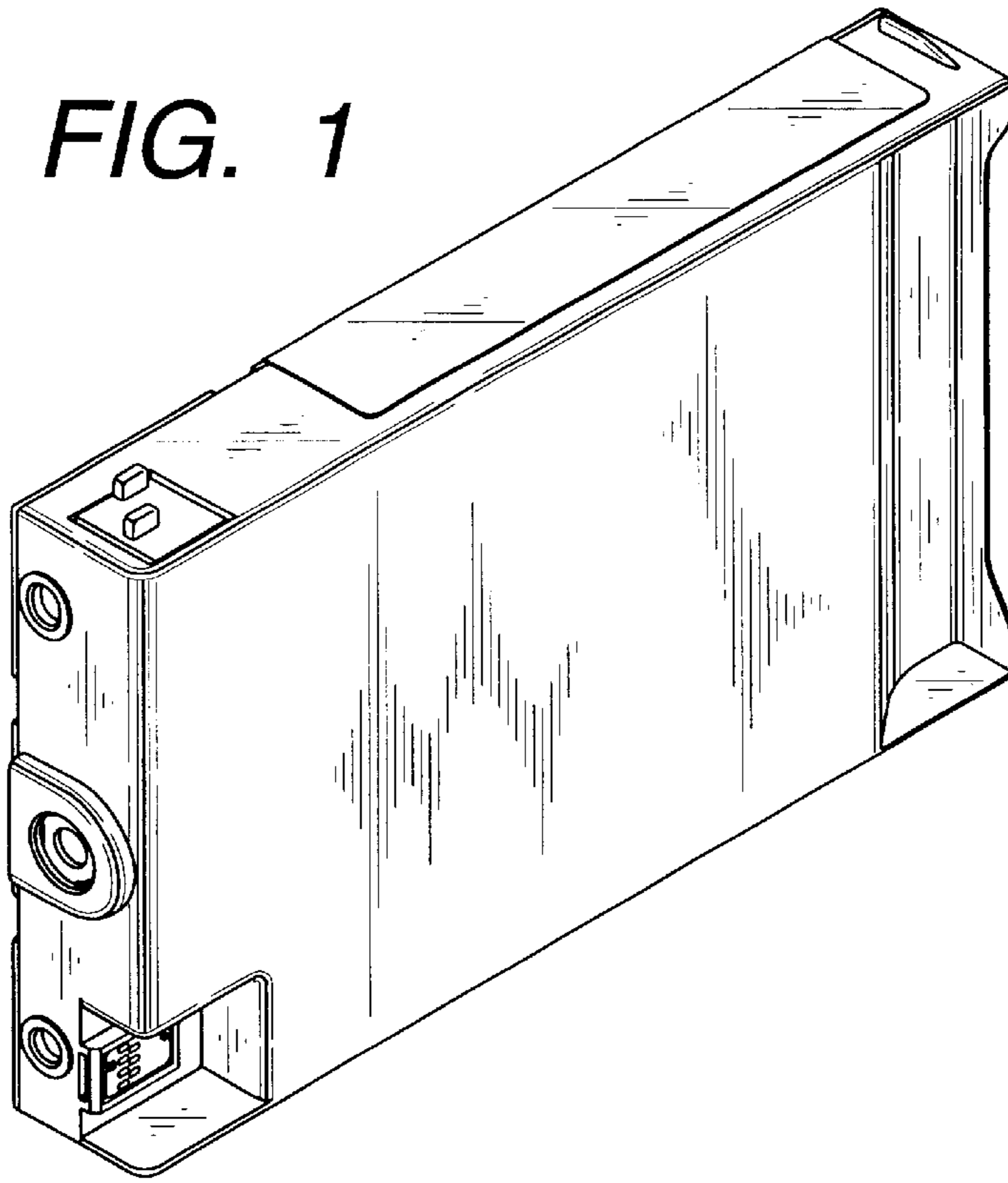


FIG. 2

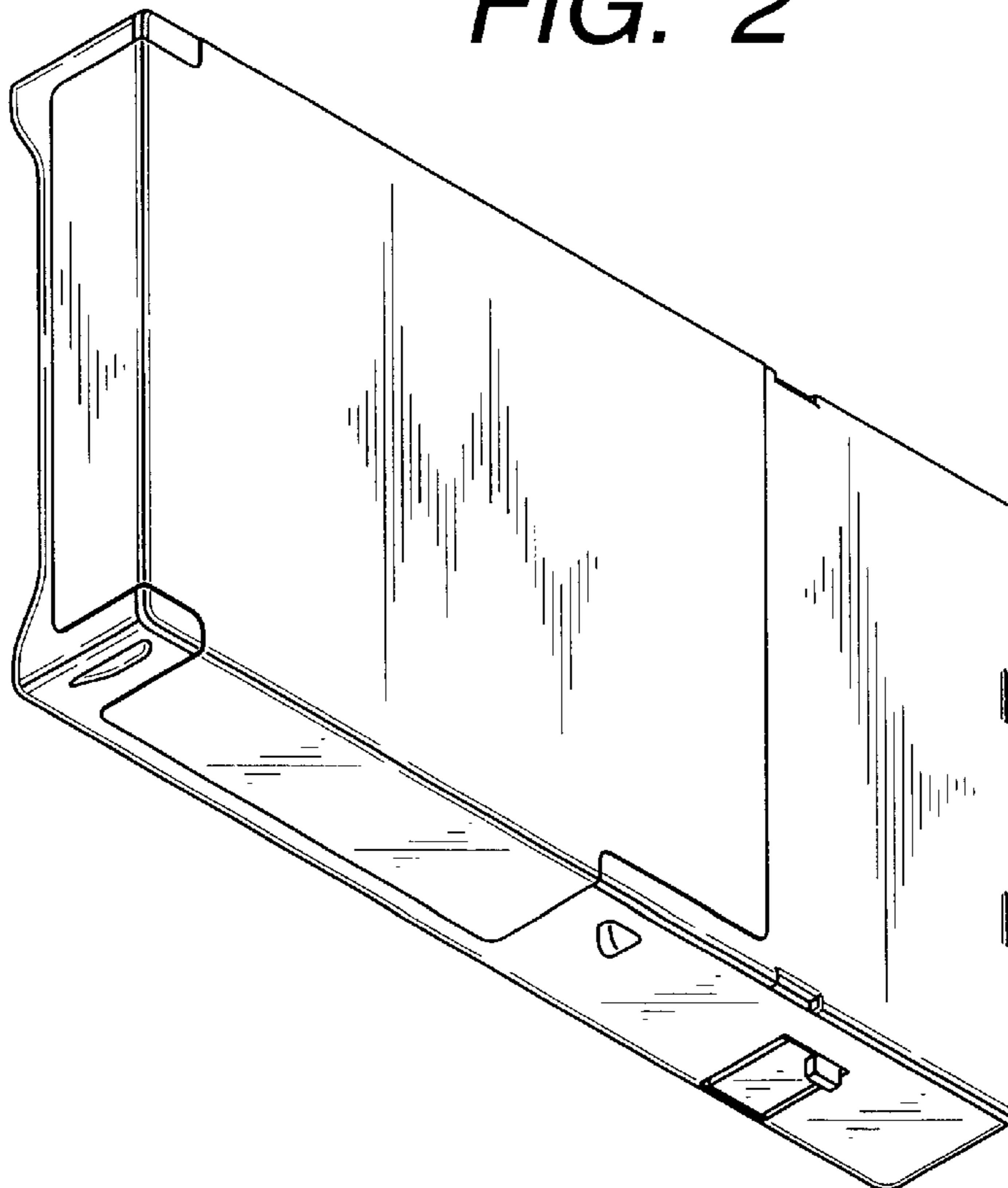


FIG. 3

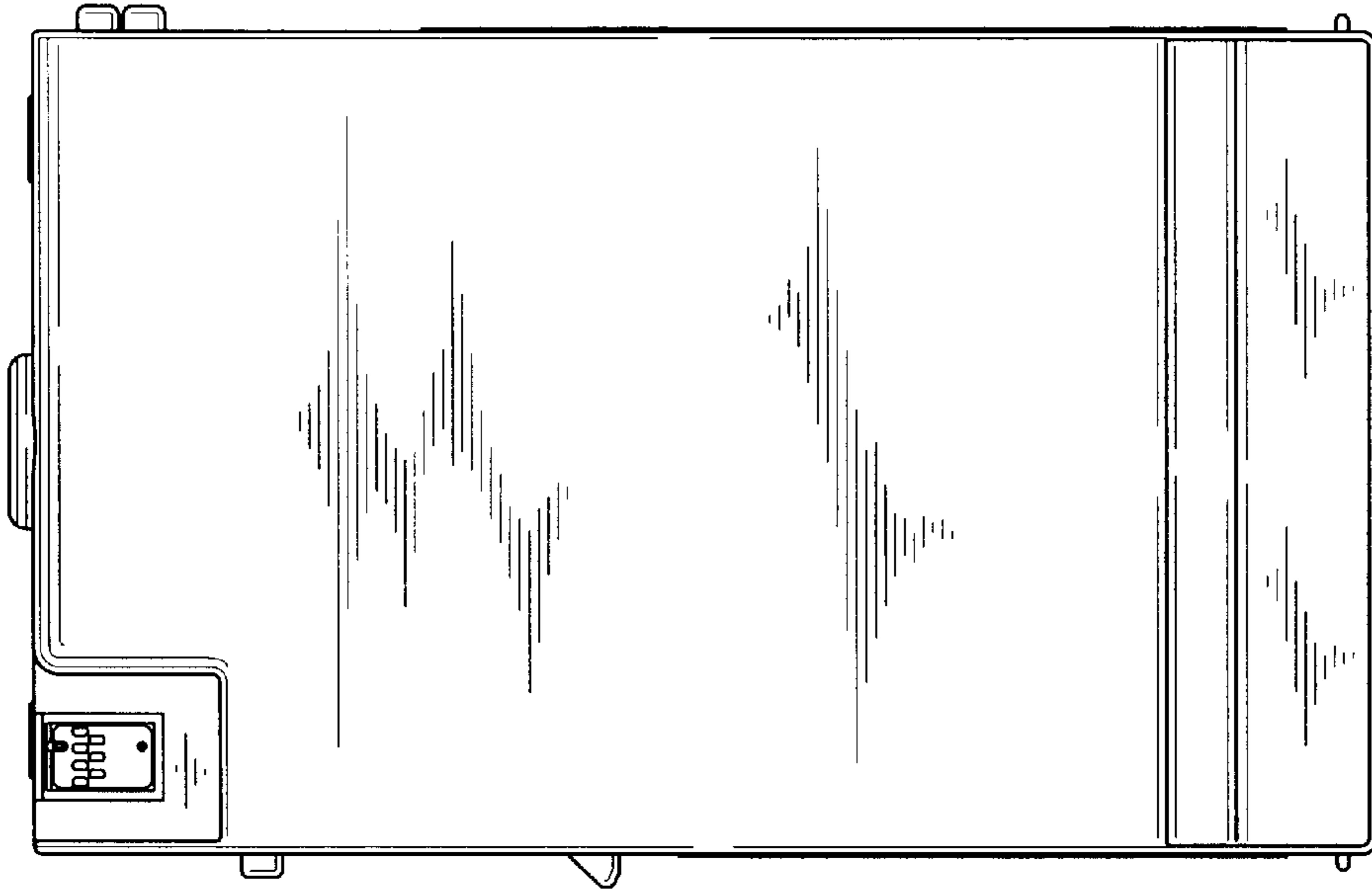


FIG. 4

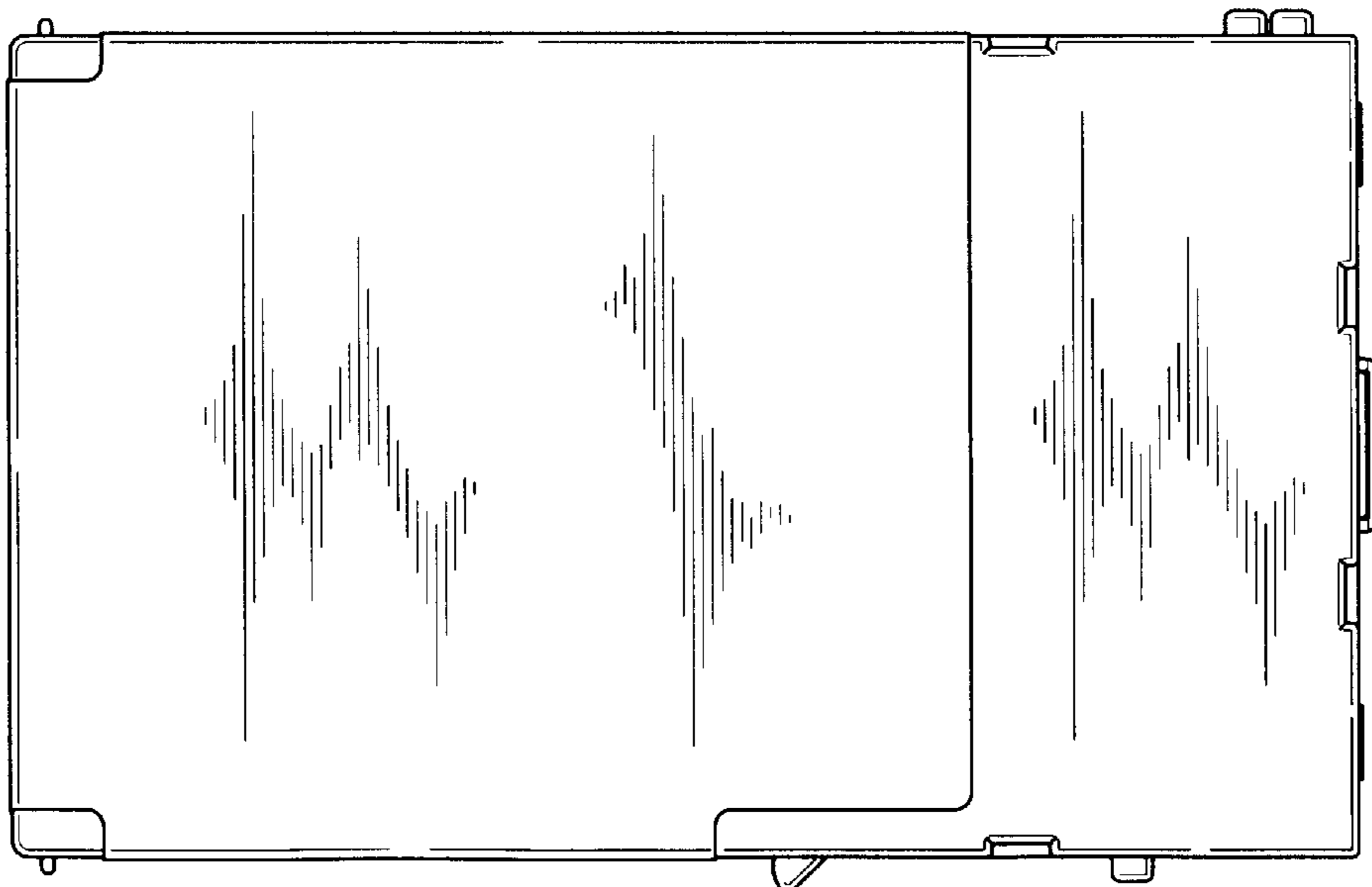


FIG. 5

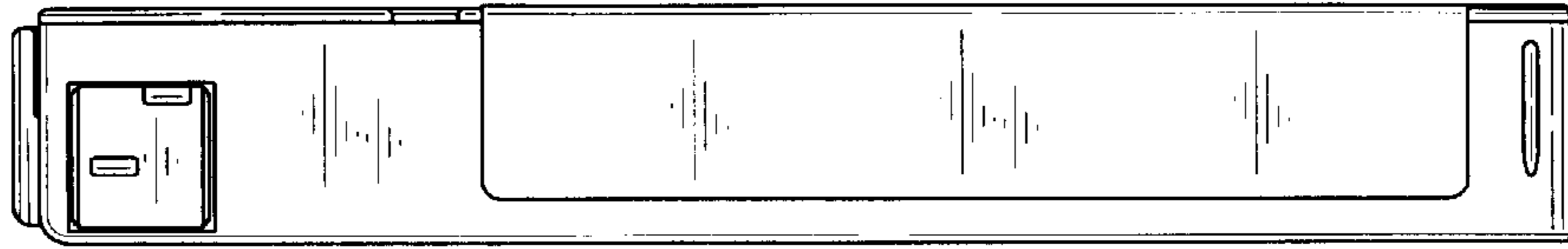


FIG. 6

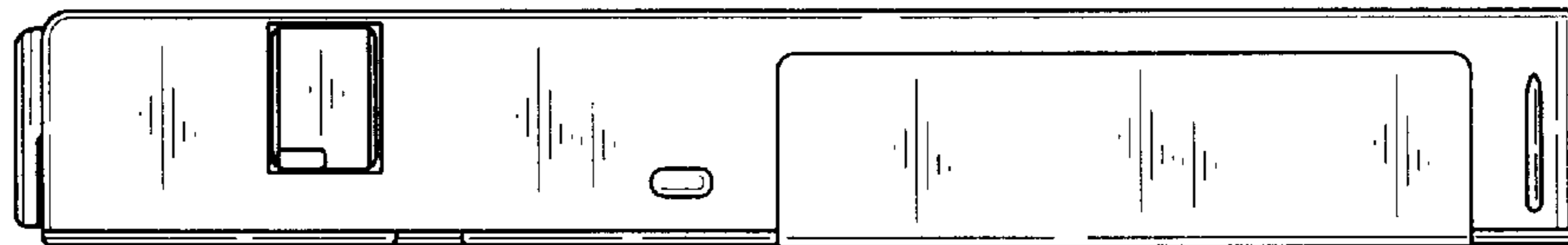


FIG. 7

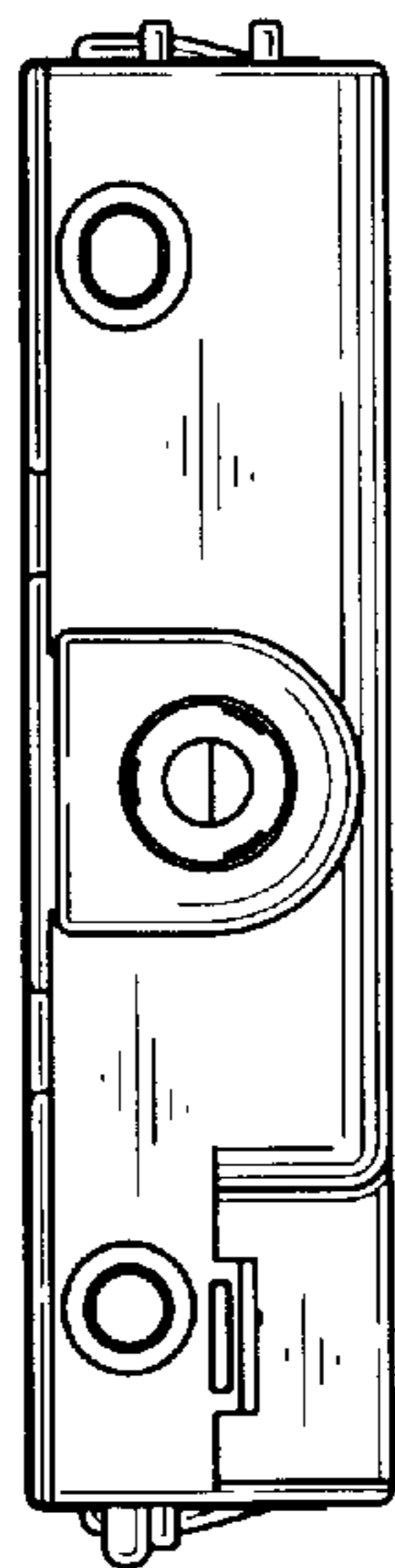


FIG. 8



FIG. 9

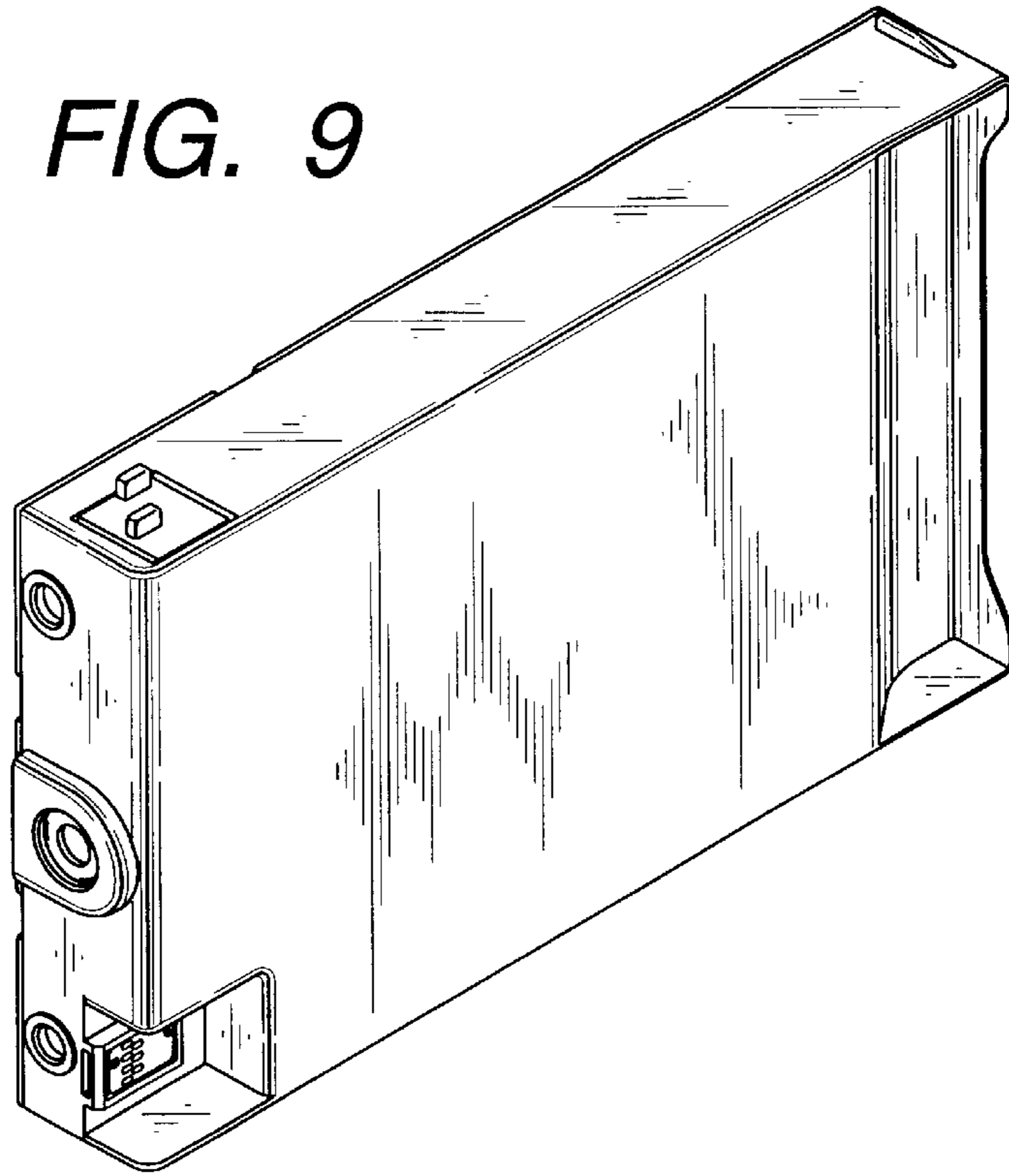


FIG. 10

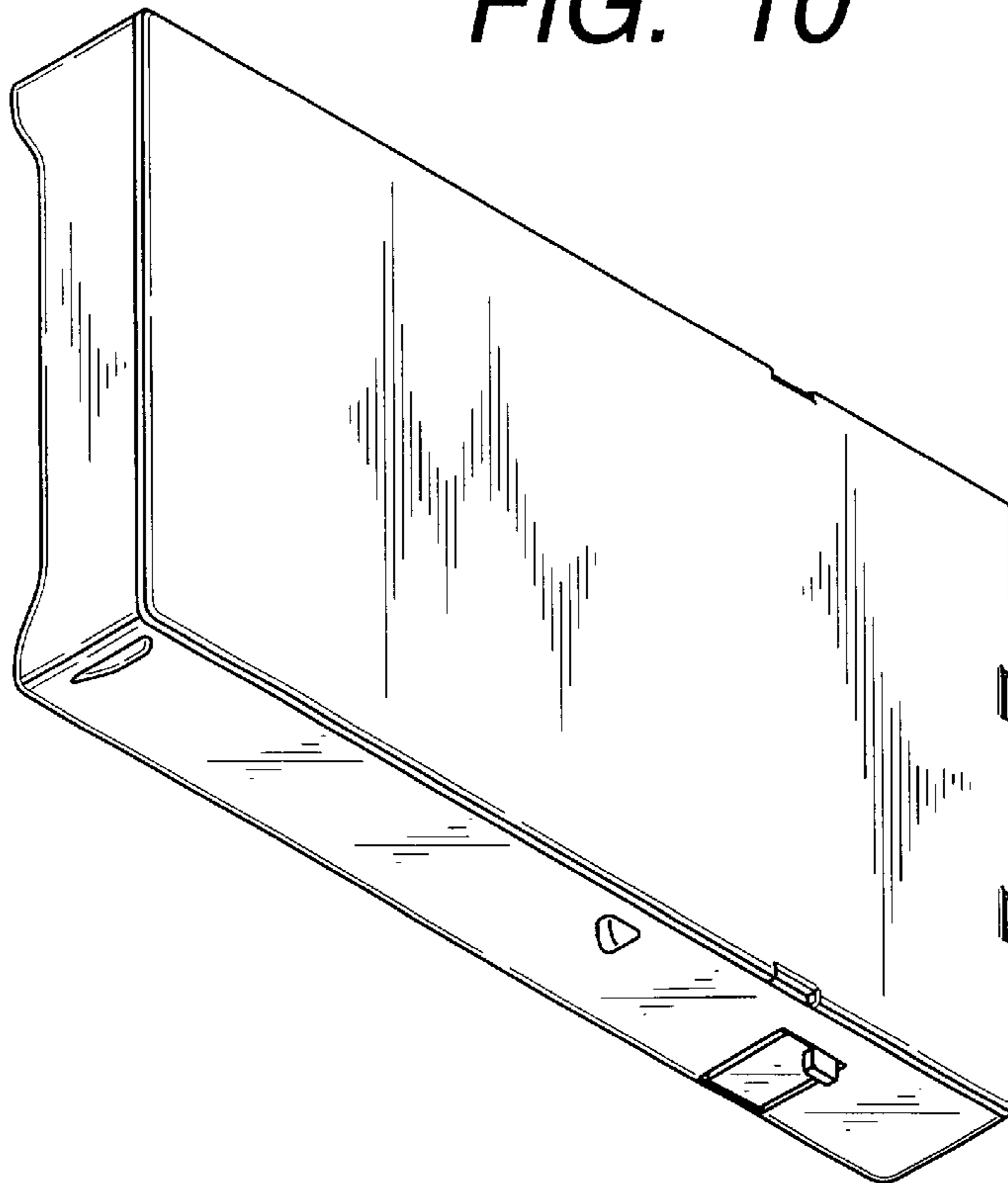


FIG. 11

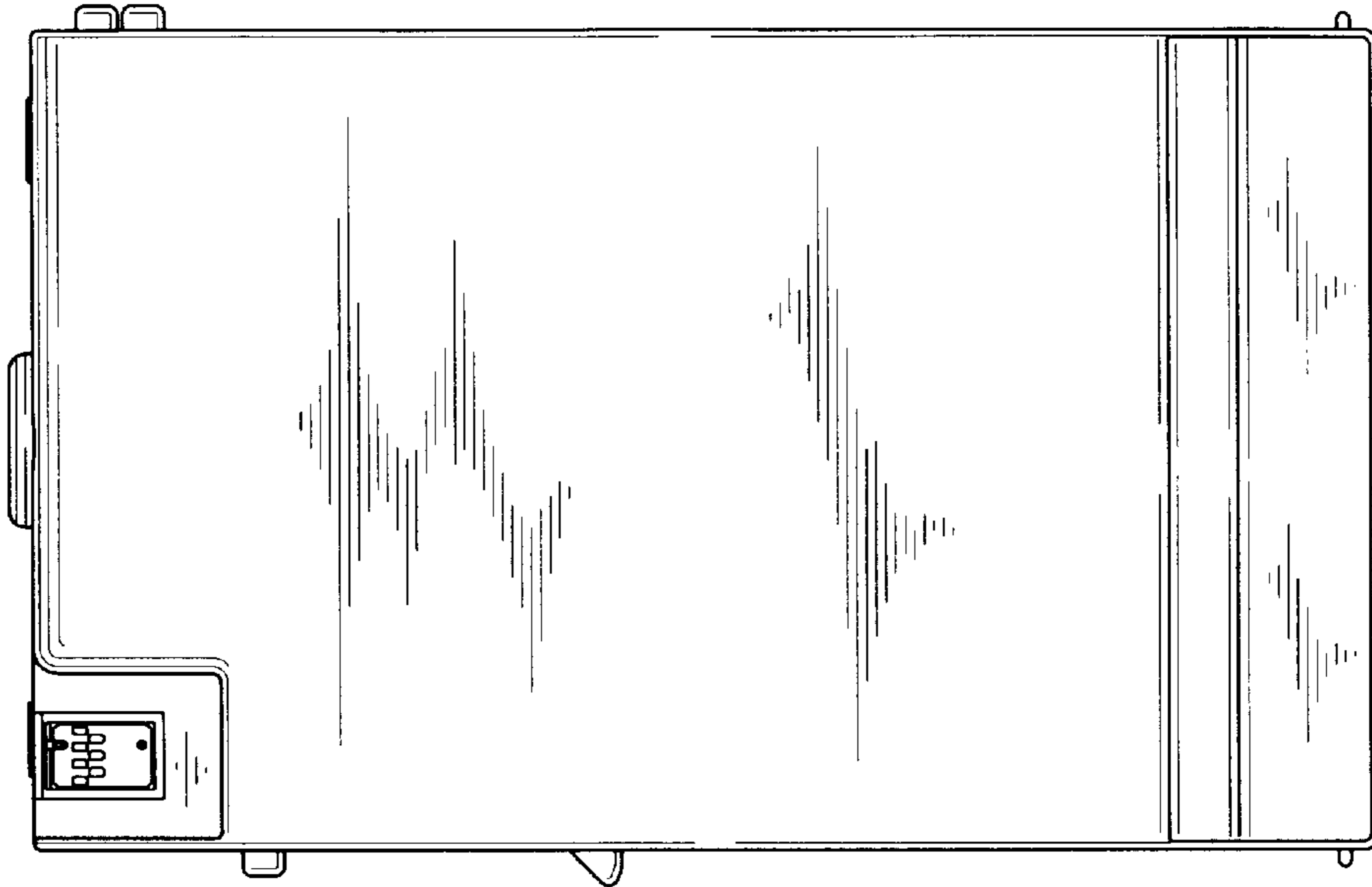


FIG. 12

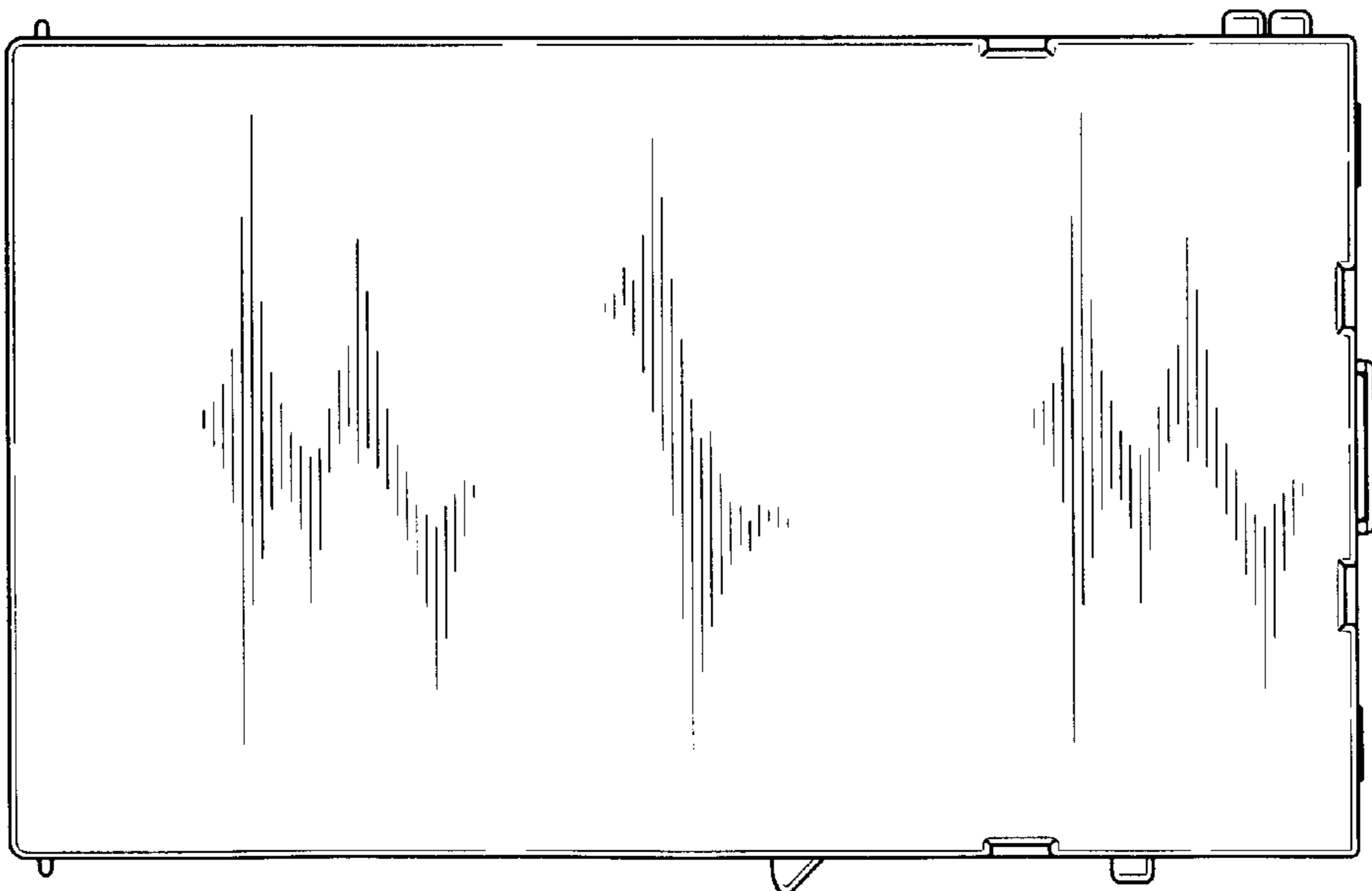


FIG. 13

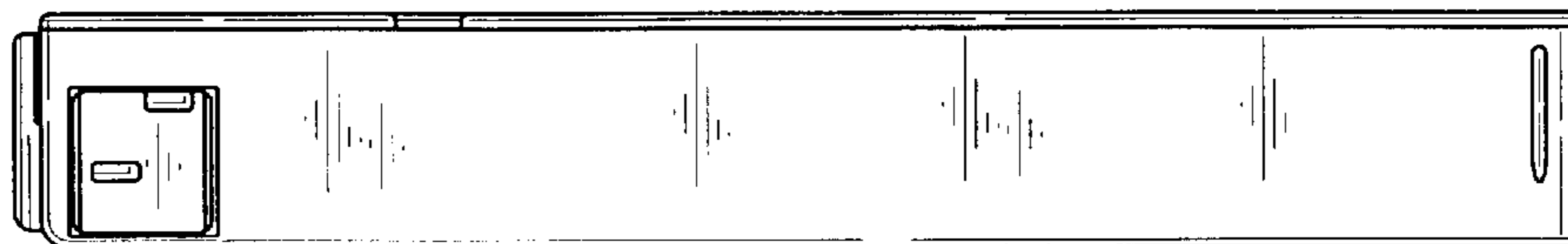


FIG. 14

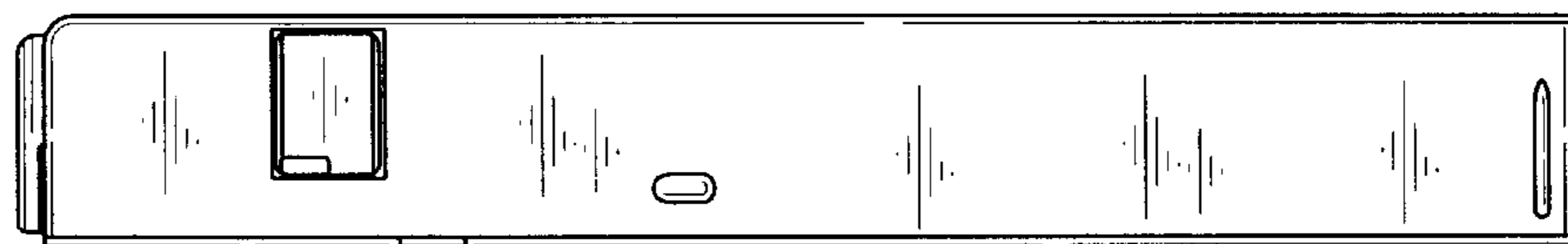


FIG. 15

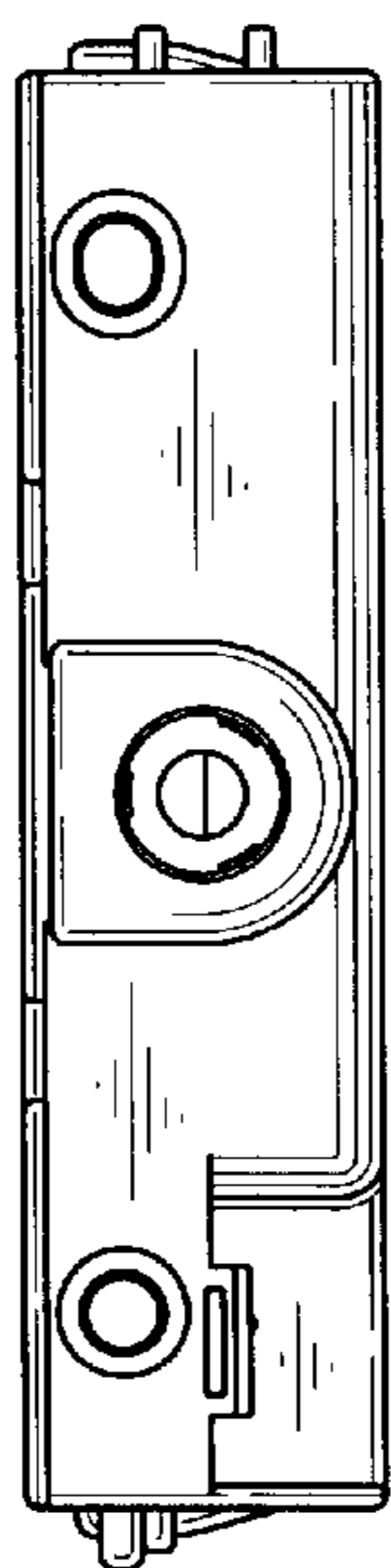
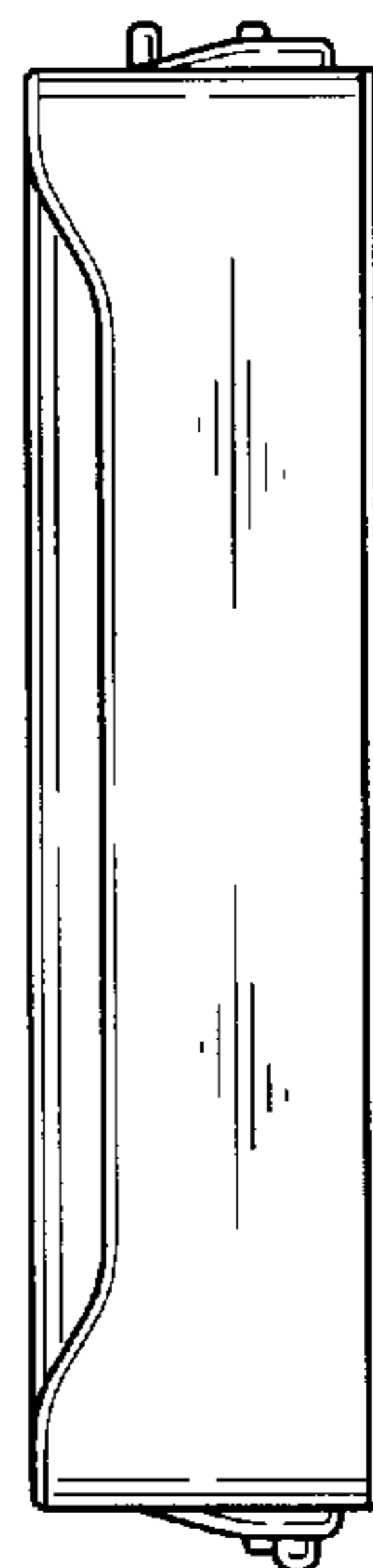


FIG. 16



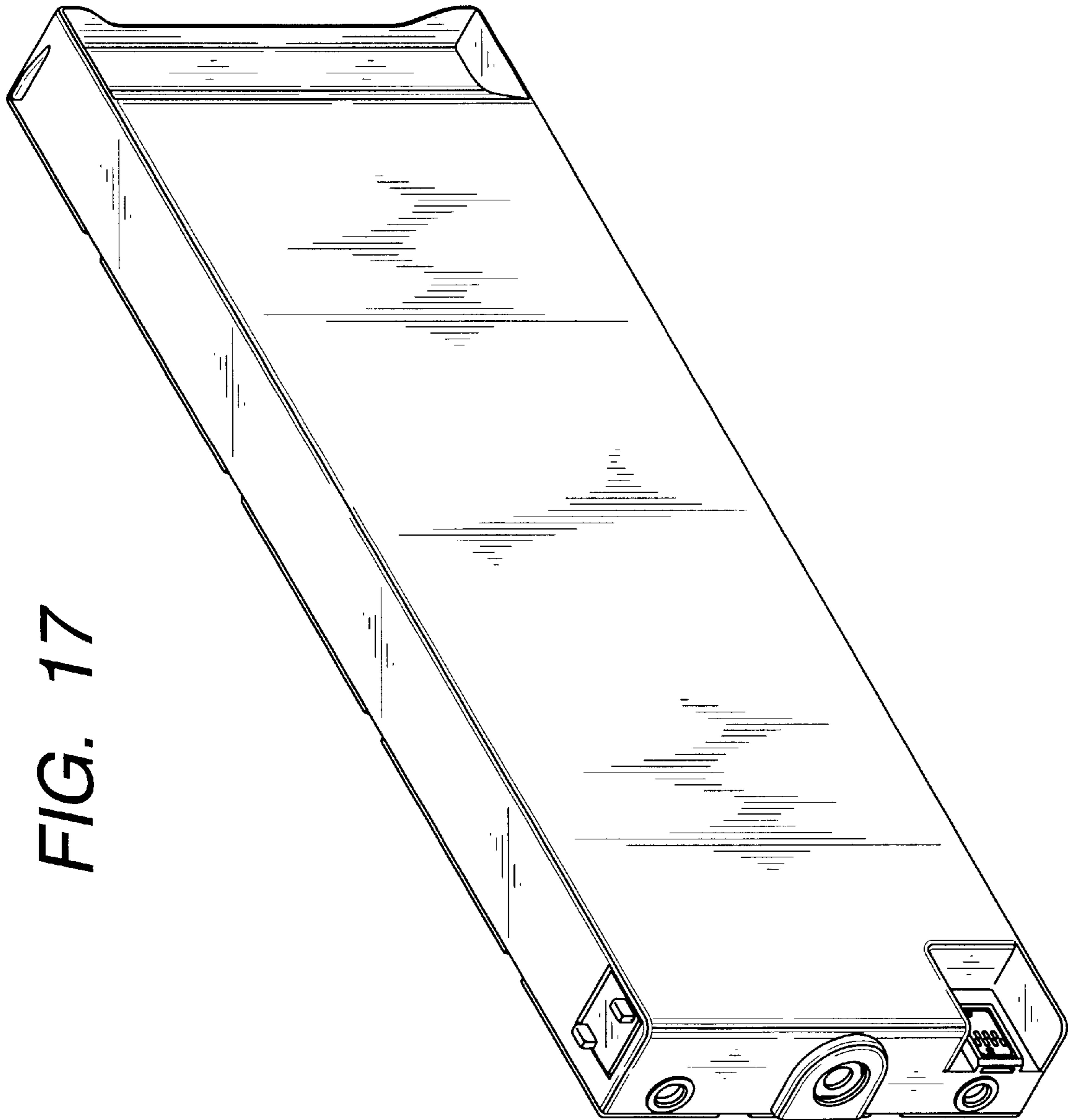


FIG. 17

FIG. 18

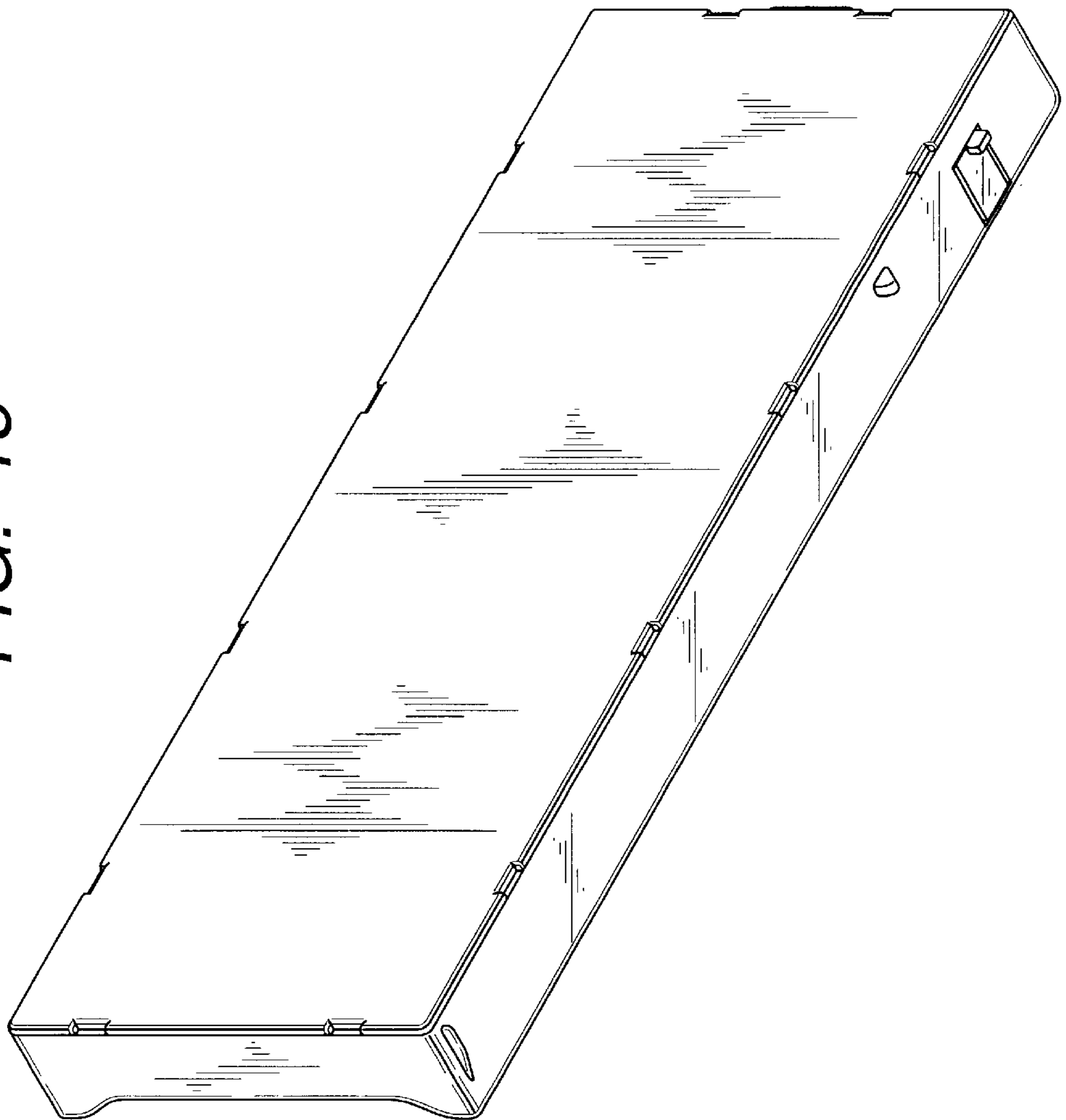


FIG. 19

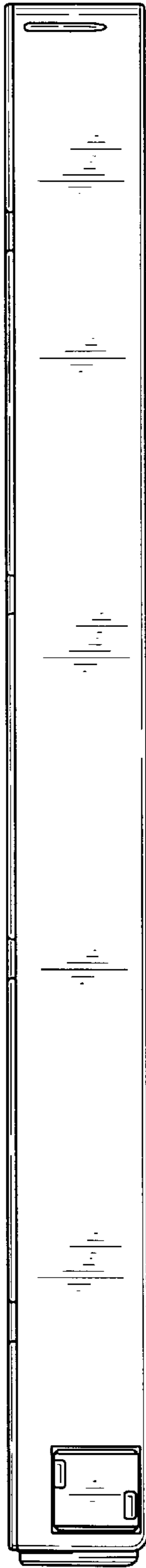


FIG. 20

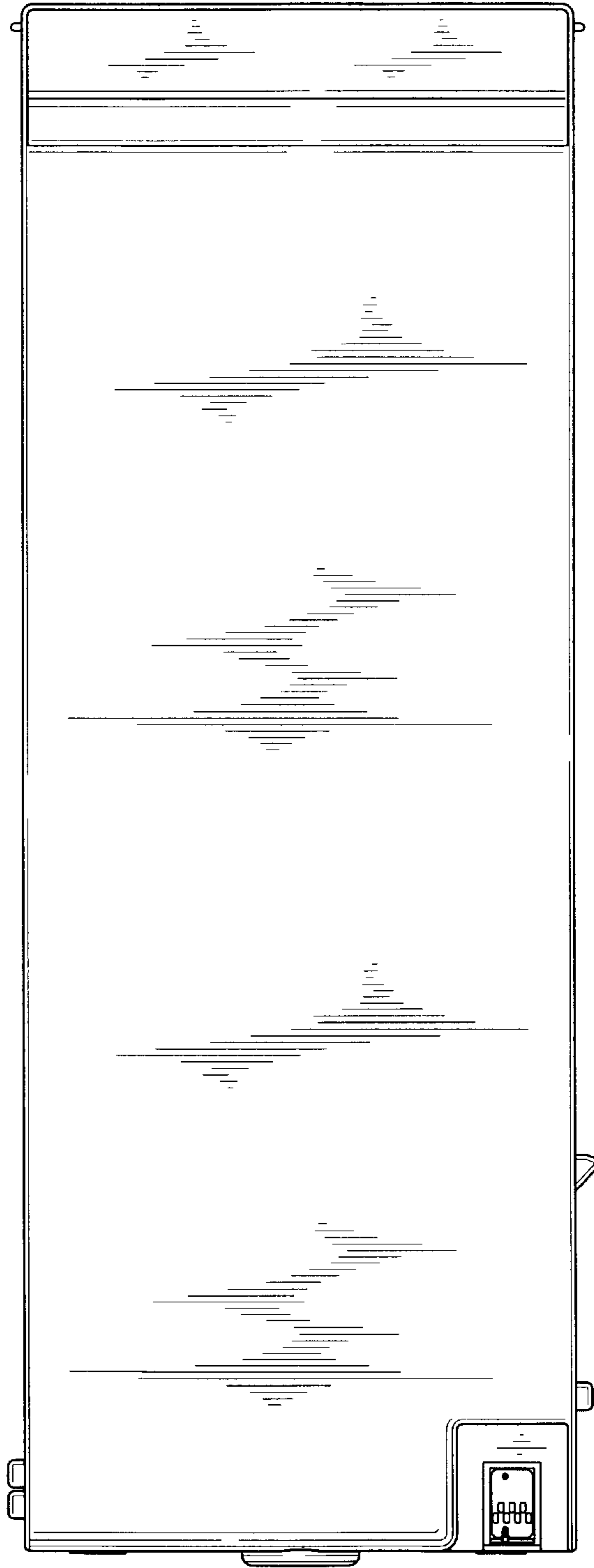


FIG. 21

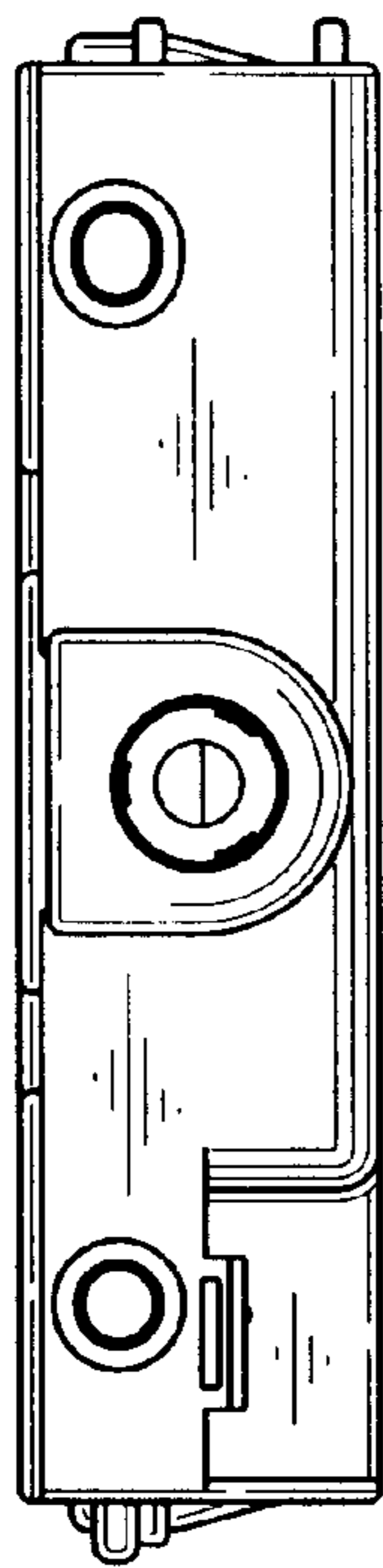


FIG. 22



FIG. 23

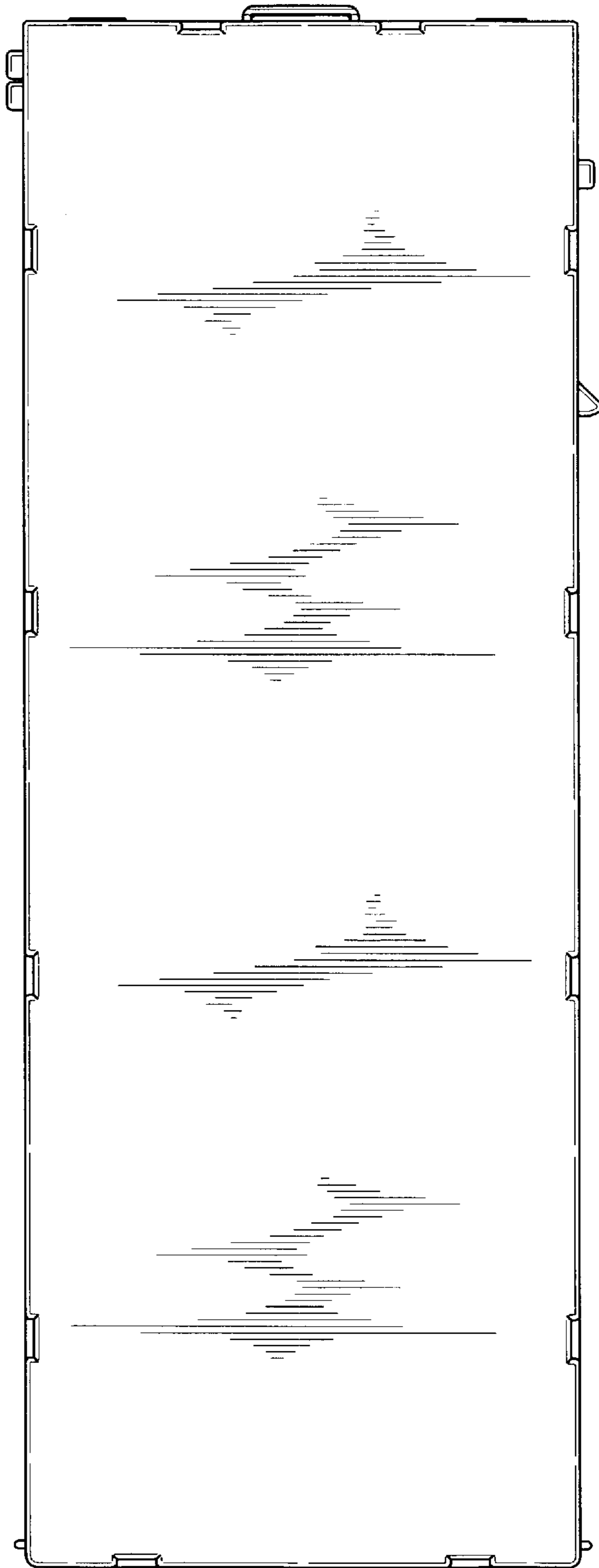


FIG. 24

