



US00D477019S

(12) **United States Design Patent**
Dwyer et al.

(10) **Patent No.:** **US D477,019 S**

(45) **Date of Patent:** **** Jul. 8, 2003**

(54) **INKJET PRINTER WITH SHEET FEEDER**

(75) Inventors: **Daniel R. Dwyer**, Battle Ground, WA (US); **Jeffrey G. Bingham**, Vancouver, WA (US); **Joyce Chua**, Vancouver, WA (US); **Tod A. Kinsley**, Tigard, OR (US); **Robert Fritz**, Vancouver, WA (US); **Michael M. Leon**, Washougal, WA (US); **Le Pham**, Vancouver, WA (US)

(73) Assignee: **Hewlett-Packard Development Company, L.P.**, Houston, TX (US)

(**) Term: **14 Years**

(21) Appl. No.: **29/165,734**

(22) Filed: **Aug. 14, 2002**

(51) **LOC (7) Cl.** **14-02**

(52) **U.S. Cl.** **D18/55**

(58) **Field of Search** D18/36-39, 50, D18/54-55, 4.1, 54.1; D14/462-470, 420-431; 400/613, 613.1-613.4, 691-694, 690.1-690.4

(56) **References Cited**

U.S. PATENT DOCUMENTS

D324,395 S * 3/1992 Dubson D18/54

D373,378 S * 9/1996 Brown et al. D18/55
D373,380 S * 9/1996 Dwyer et al. D18/55
D376,615 S * 12/1996 Dubson D18/50
D394,452 S * 5/1998 Iwamoto et al. D18/54
D443,638 S * 6/2001 Kobayashi et al. D18/54
D467,963 S * 12/2002 Miyahara et al. D18/54
D468,764 S * 1/2003 Miyahara et al. D18/54

* cited by examiner

Primary Examiner—Cathy Anne MacCormac
(74) *Attorney, Agent, or Firm*—Christopher B. Miller

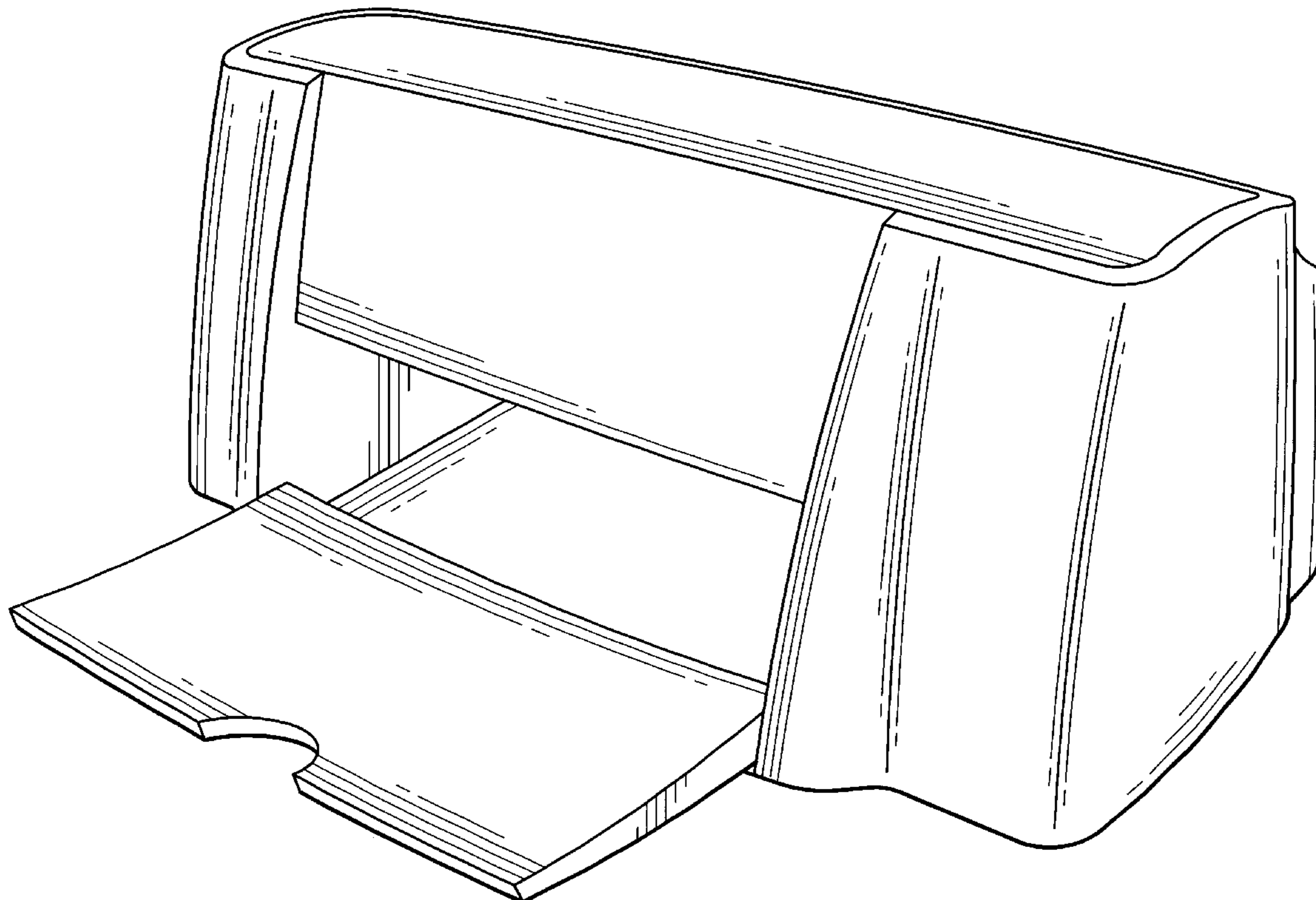
(57) **CLAIM**

The ornamental design for an inkjet printer with sheet feeder, substantially as shown and described.

DESCRIPTION

FIG. 1 is a perspective view of an inkjet printer with sheet feeder in accordance with the present invention;
FIG. 2 is a front elevational view thereof;
FIG. 3 is a rear elevational view thereof;
FIG. 4 is a top plan view thereof; and,
FIG. 5 is a right side elevational view thereof, the left side elevational view is a mirror image.

1 Claim, 4 Drawing Sheets



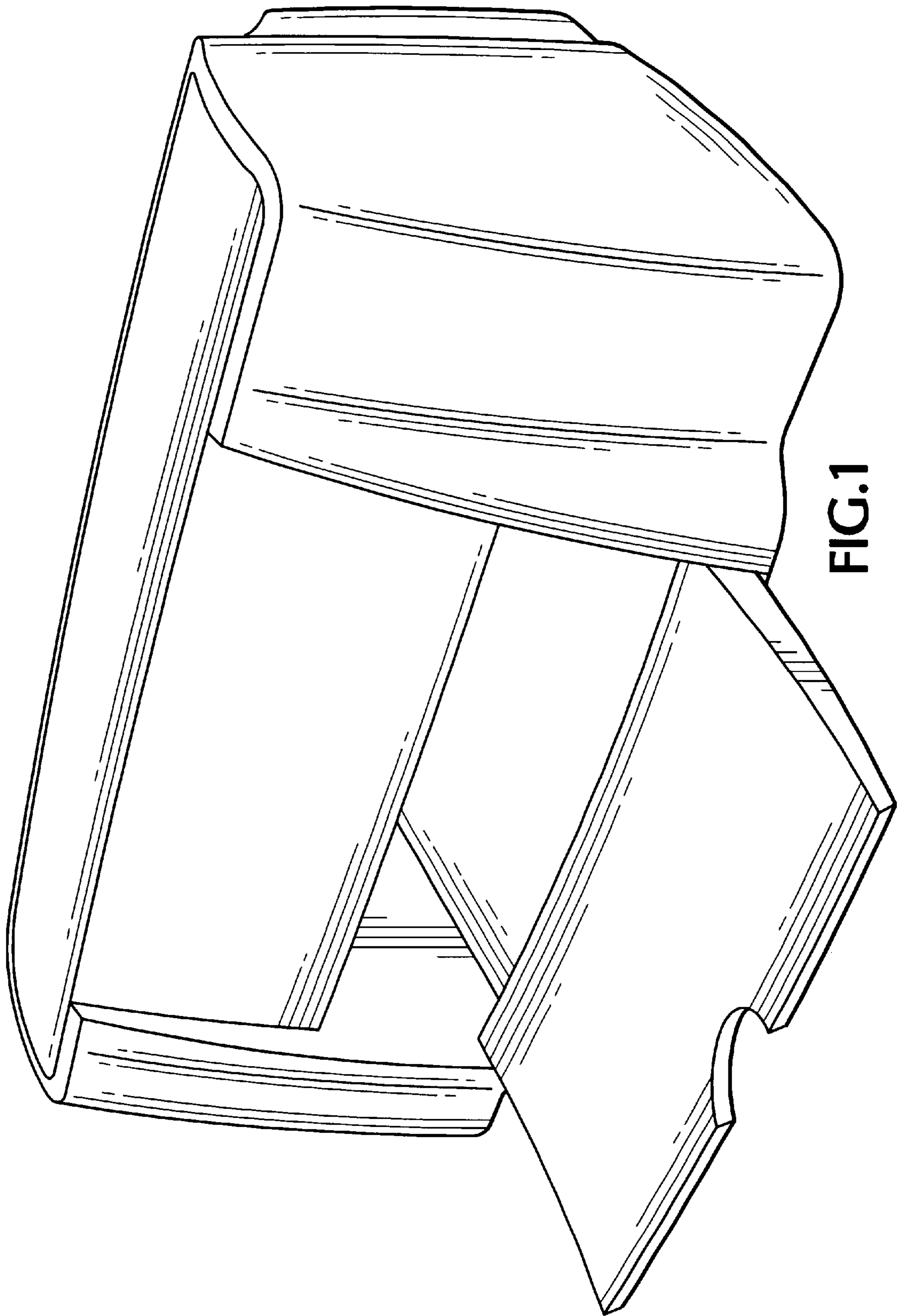


FIG. 1

FIG.2

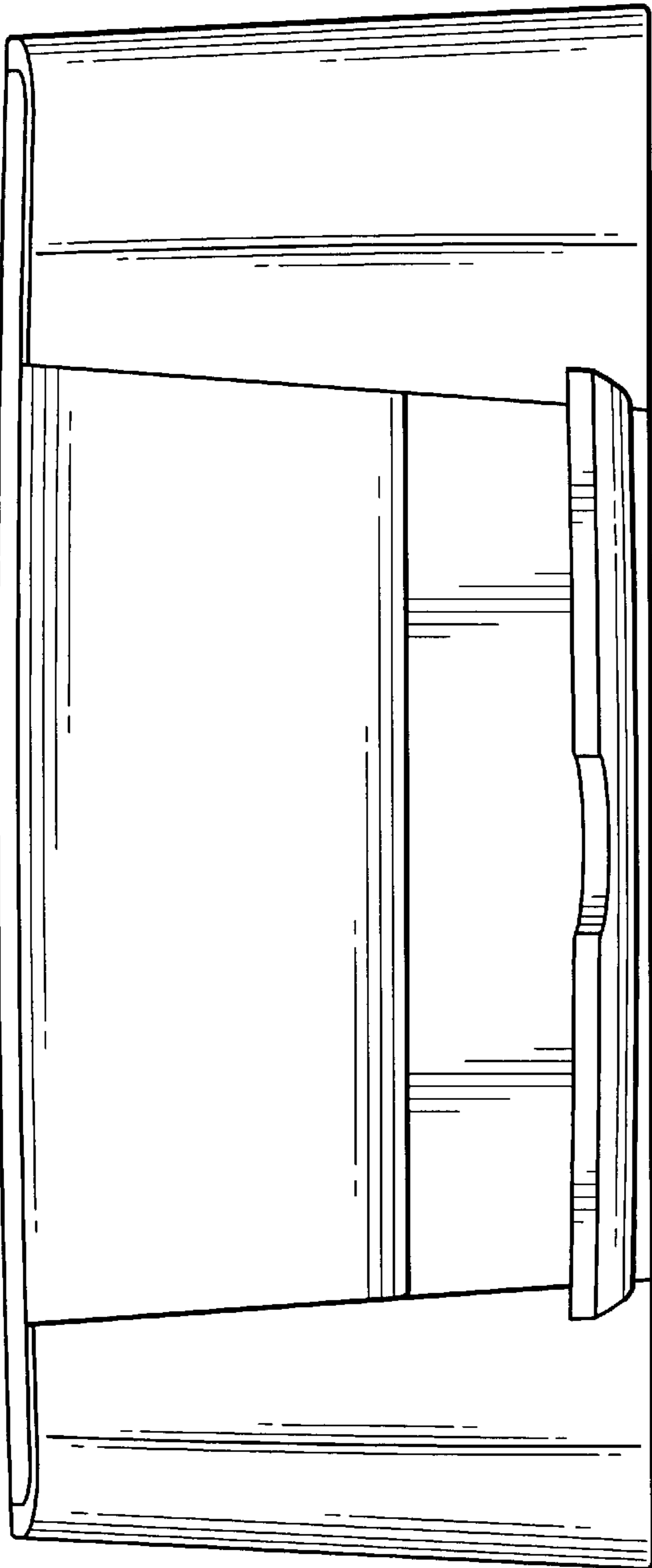
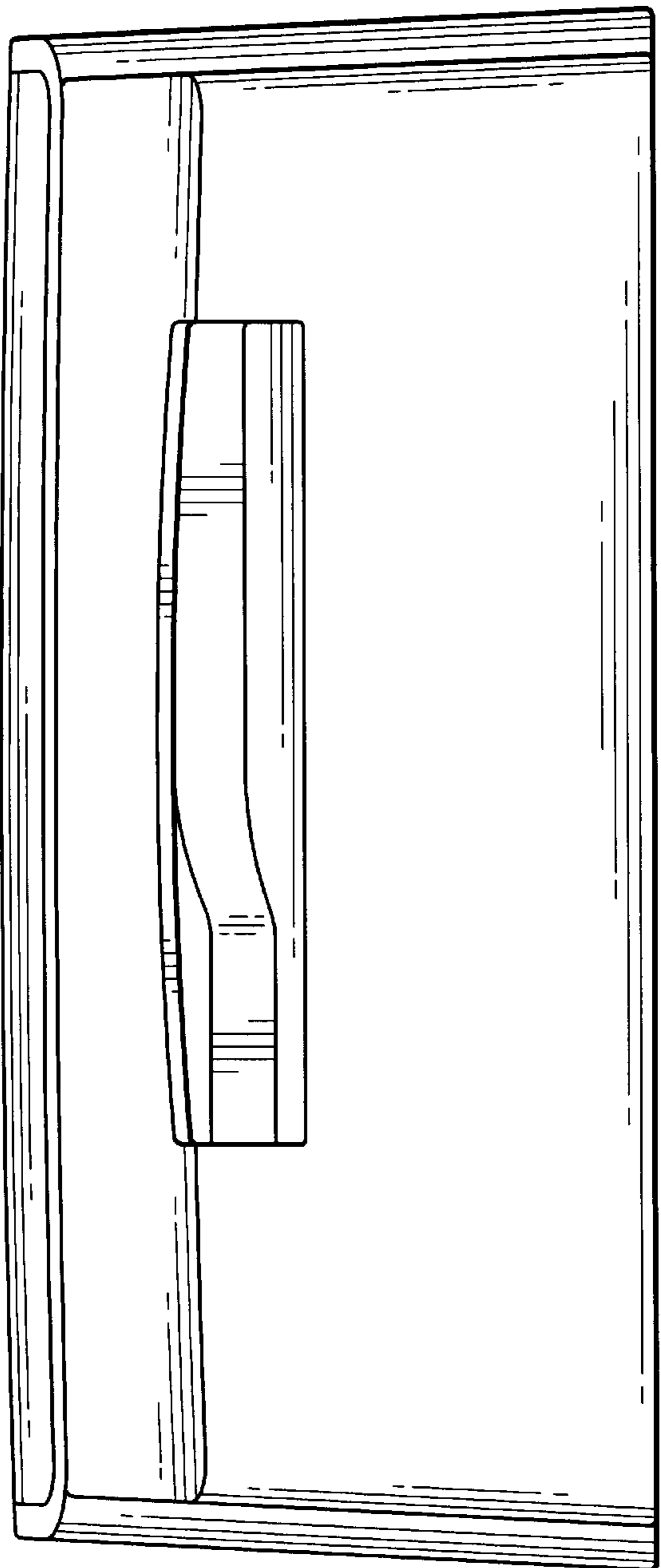


FIG.3



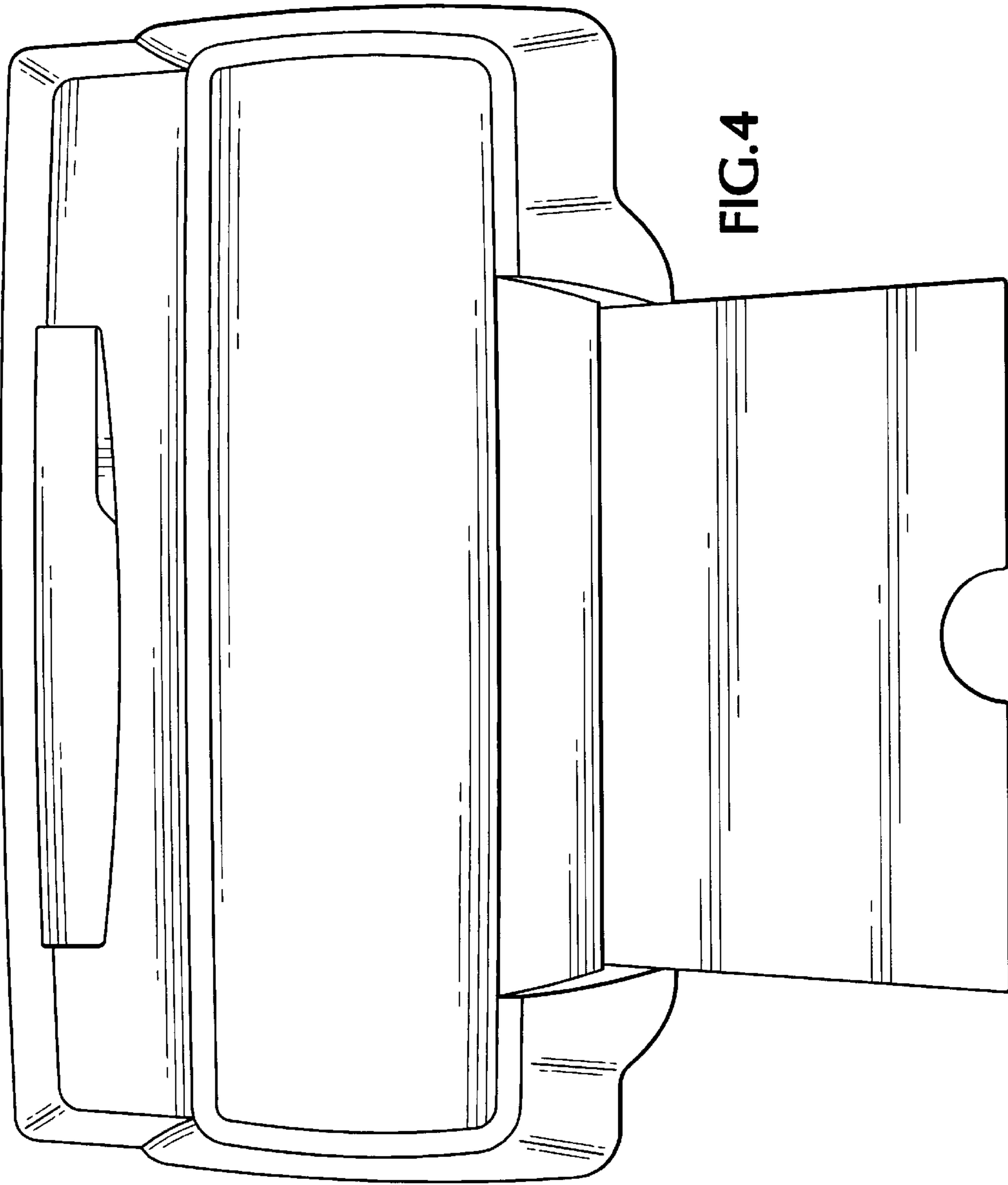


FIG. 4

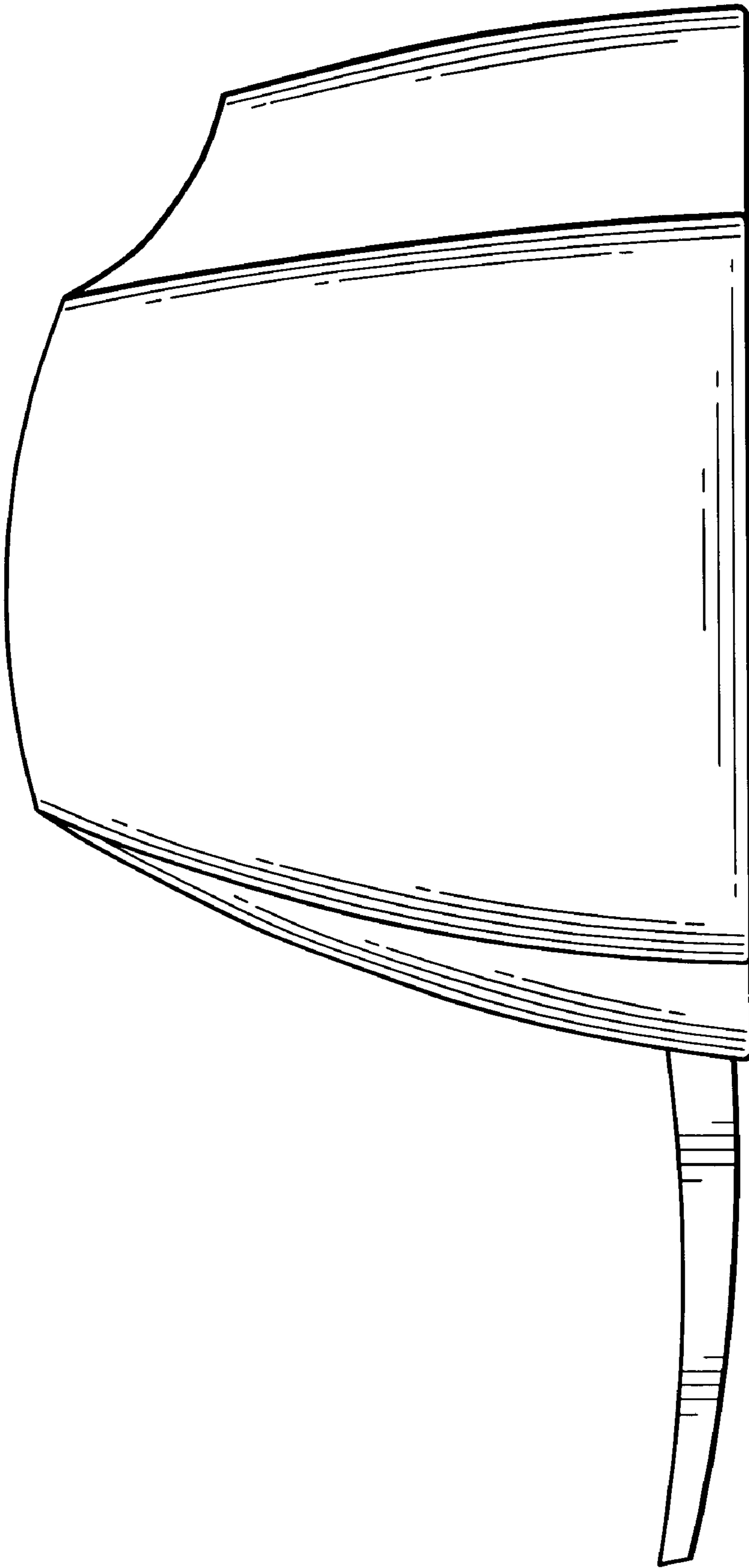


FIG. 5