



US00D477018S

(12) **United States Design Patent**  
**Dwyer et al.**

(10) **Patent No.:** **US D477,018 S**

(45) **Date of Patent:** **\*\* Jul. 8, 2003**

(54) **INKJET PRINTER**

(75) Inventors: **Daniel R. Dwyer**, Battle Ground, WA (US); **Jeffrey G. Bingham**, Vancouver, WA (US); **Joyce Chua**, Vancouver, WA (US); **Tod A. Kinsley**, Tigard, OR (US); **Robert Fritz**, Vancouver, WA (US); **Michael M. Leon**, Washougal, WA (US); **Le Pham**, Vancouver, WA (US)

(73) Assignee: **Hewlett-Packard Development Company, L.P.**, Houston, TX (US)

(\*\*) Term: **14 Years**

(21) Appl. No.: **29/165,708**

(22) Filed: **Aug. 14, 2002**

(51) **LOC (7) Cl.** ..... **14-02**

(52) **U.S. Cl.** ..... **D18/50**

(58) **Field of Search** ..... D18/36-39; D14/462-470, D14/420-431; 400/613, 613.1-613.4, 691-694, 690.1-690.4

(56) **References Cited**

**U.S. PATENT DOCUMENTS**

D324,395 S \* 3/1992 Dubson ..... D18/54

D373,378 S \* 9/1996 Brown et al. .... D18/55  
D373,380 S \* 9/1996 Dwyer et al. .... D18/55  
D376,615 S \* 12/1996 Dubson ..... D18/50  
D394,452 S \* 5/1998 Iwamoto et al. .... D18/54  
D443,638 S \* 6/2001 Kobayashi et al. .... D18/54  
D467,963 S \* 12/2002 Miyahara et al. .... D18/54  
D468,764 S \* 1/2003 Miyahara et al. .... D18/54

\* cited by examiner

*Primary Examiner*—Cathy Anne MacCormac  
(74) *Attorney, Agent, or Firm*—Christopher B. Miller

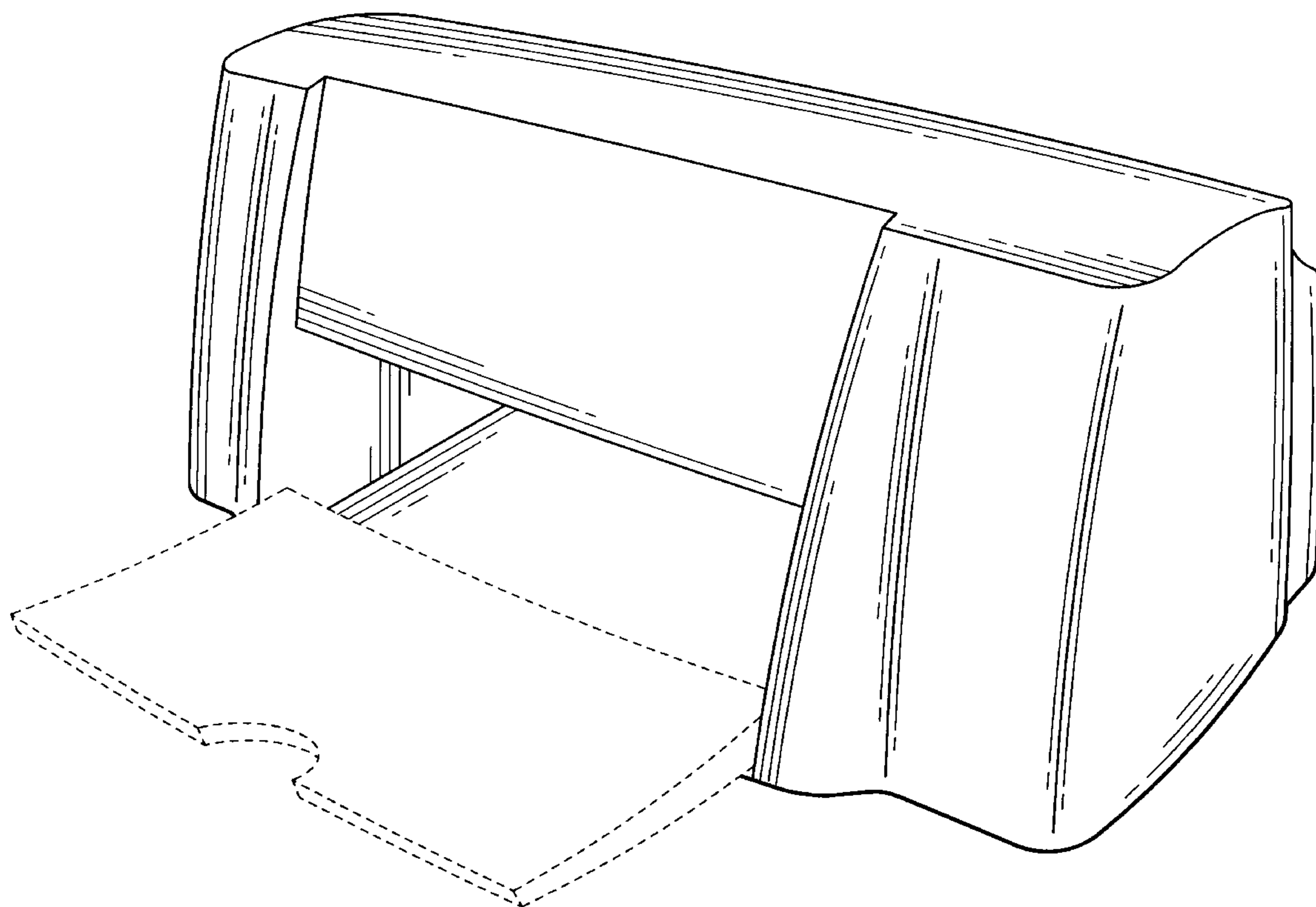
(57) **CLAIM**

The ornamental design for an inkjet printer, substantially as shown and described.

**DESCRIPTION**

FIG. 1 is a perspective view of an inkjet printer in accordance with the present invention;  
FIG. 2 is a front elevational view thereof;  
FIG. 3 is a rear elevational view thereof;  
FIG. 4 is a top plan view thereof; and,  
FIG. 5 is a right side elevational view thereof, the left side elevational view is a mirror image.  
The broken lines in FIGS. 1-2 and 4-5 are for illustration only and form no part of the claimed design.

**1 Claim, 4 Drawing Sheets**



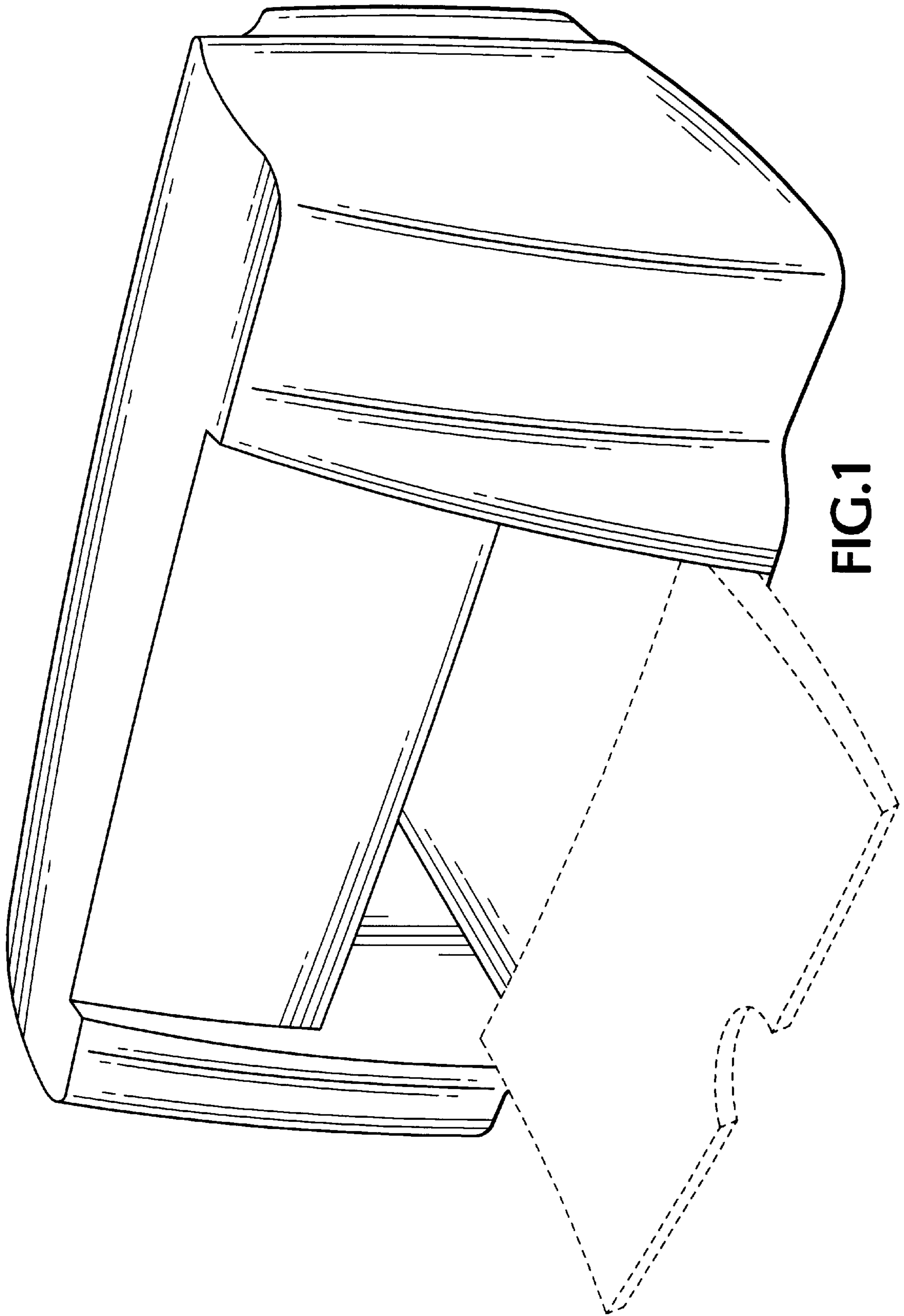


FIG. 1

FIG. 2

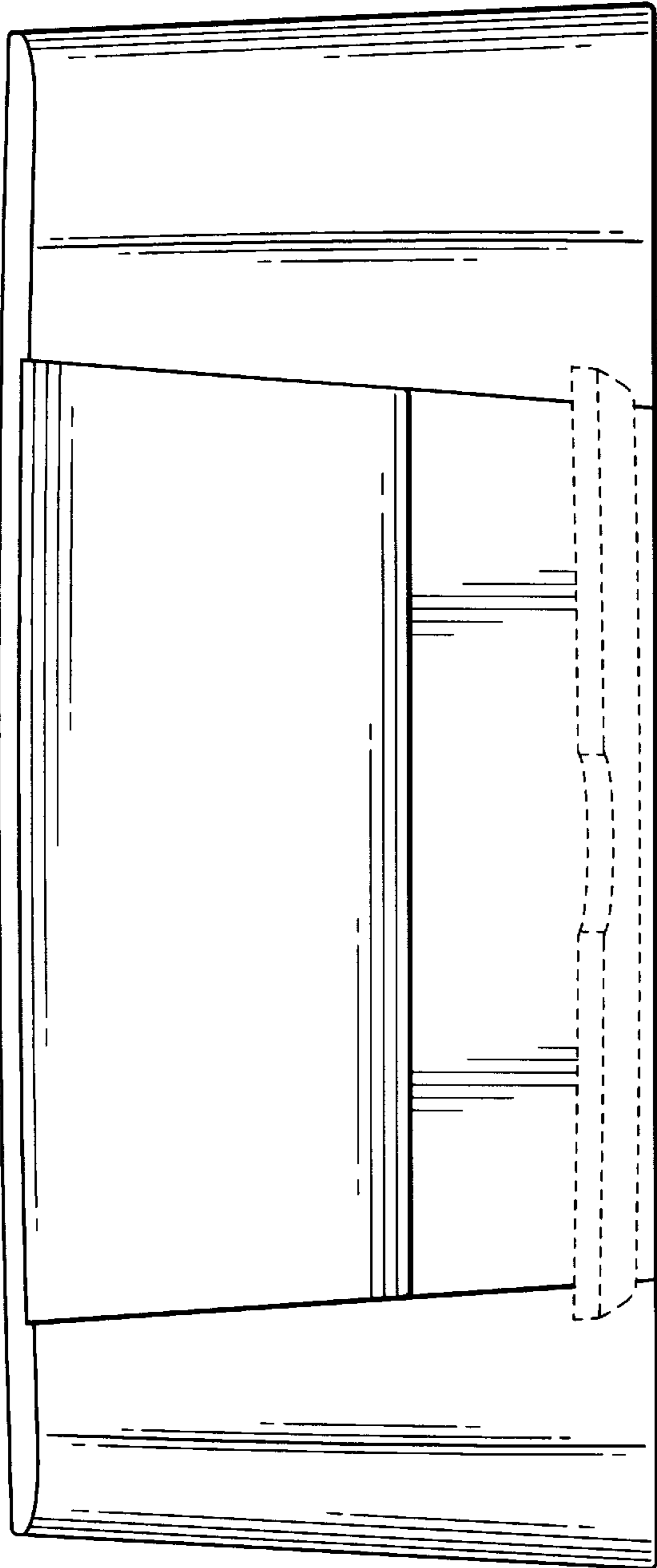
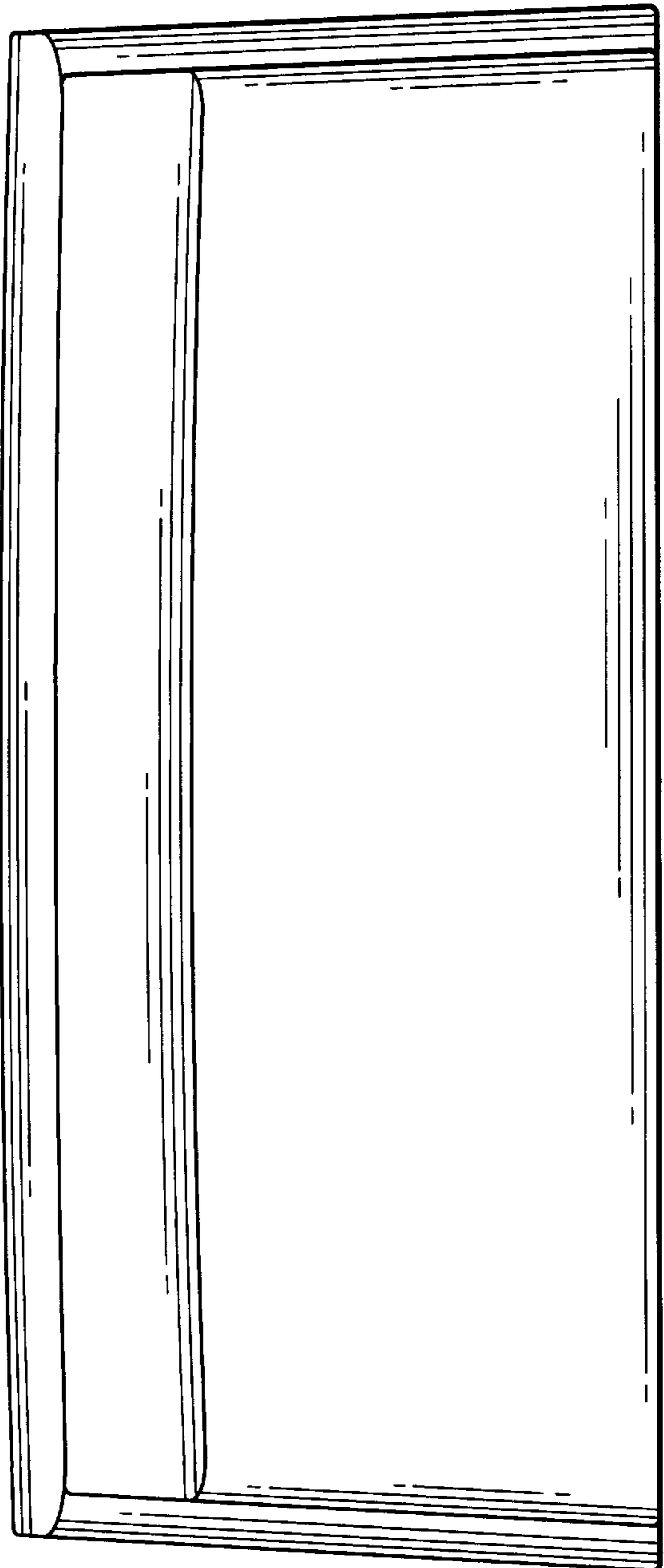


FIG. 3



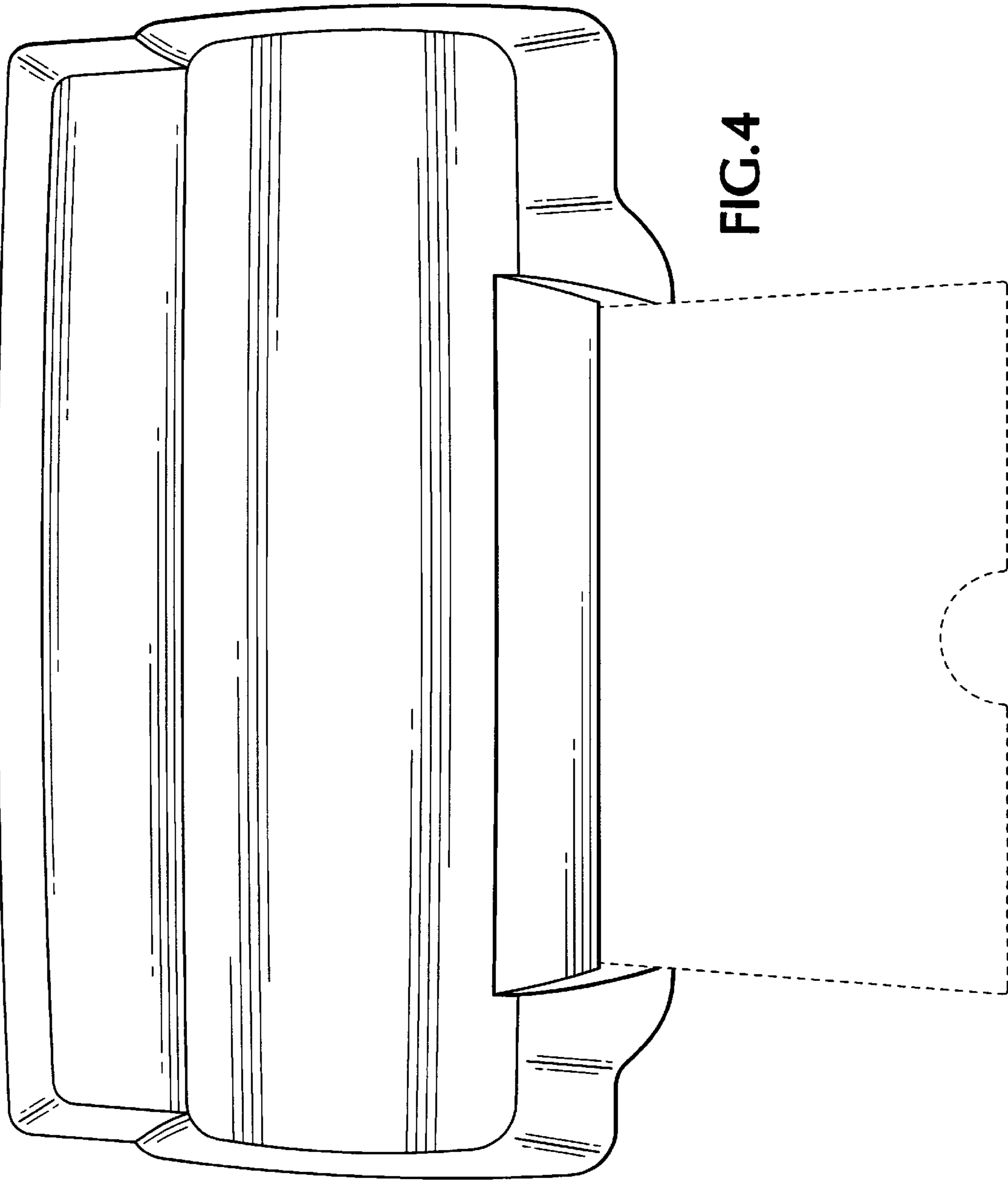


FIG.4

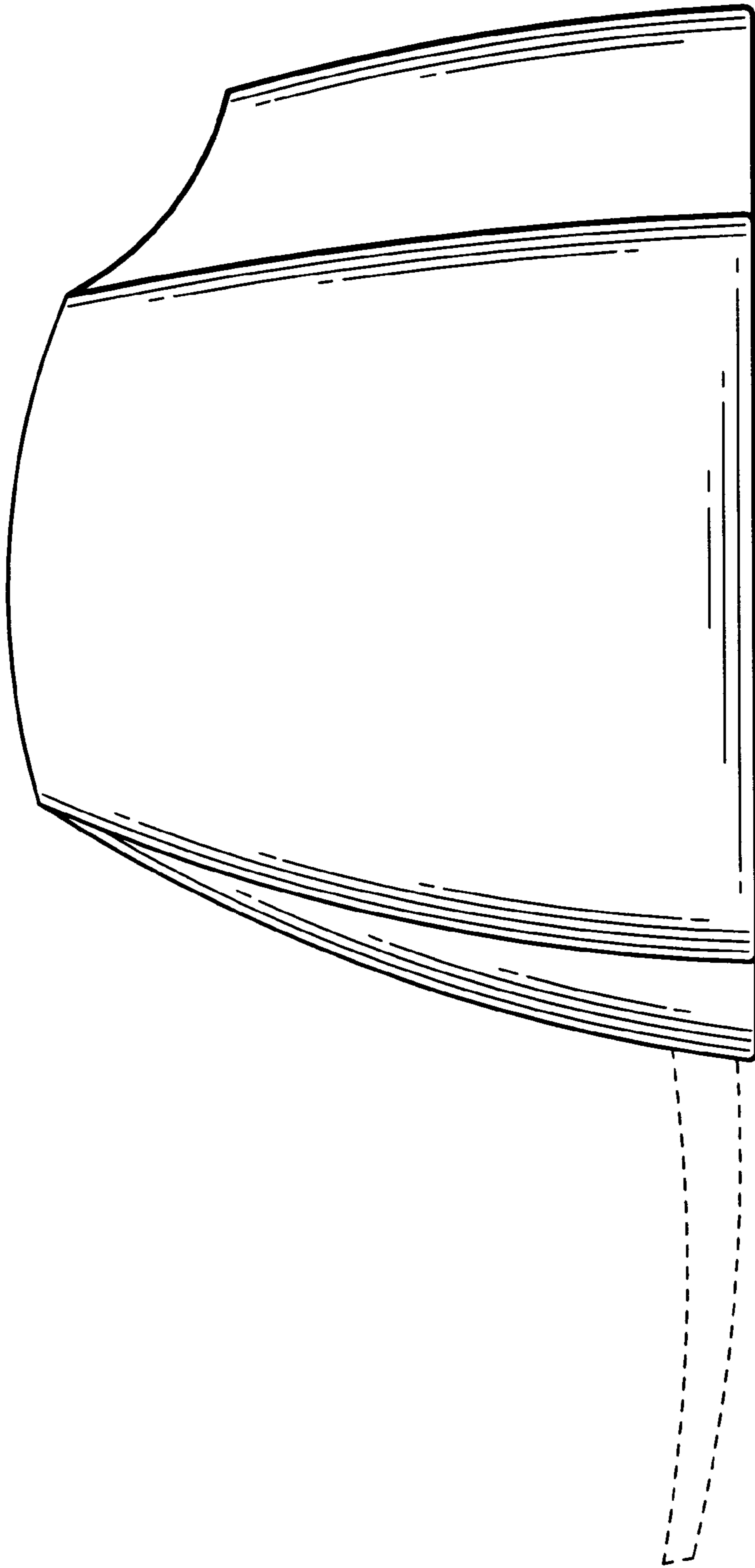


FIG.5