



US00D477017S

(12) **United States Design Patent**
Vossler et al.

(10) **Patent No.:** **US D477,017 S**

(45) **Date of Patent:** **** Jul. 8, 2003**

(54) **GUILLOTINE STYLE PAPER TRIMMER**
(75) Inventors: **Jacqueline Vossler**, Chicago, IL (US);
Christopher Chudek, Atlanta, GA
(US); **Jack Salzman**, Chicago, IL (US);
Marta Phillips, Fairfield, CT (US)

(73) Assignee: **Acme United Corporation**, Fairfield,
CT (US)

(**) Term: **14 Years**

(21) Appl. No.: **29/163,261**

(22) Filed: **Jul. 1, 2002**

(51) **LOC (7) Cl.** **18-04**

(52) **U.S. Cl.** **D18/34**

(58) **Field of Search** D19/65, 72; D18/34,
D18/99; D15/127, 129, 141, 199; 83/607,
608, 609, 613, 701, 467.1, 468, 485, 468.3,
585, 167, 13, 25, DIG. 1, 391

(56) **References Cited**

U.S. PATENT DOCUMENTS

118,419 A	8/1871	Wood	
429,973 A	6/1890	Stone	
639,231 A	12/1899	Hale	
1,998,383 A	4/1935	Parodi	146/146
2,185,985 A	1/1940	Lund	164/44
2,238,857 A	4/1941	Ford	164/44
2,254,374 A	9/1941	Laukhuff	164/45
2,345,450 A	3/1944	Blanc	164/44
3,089,373 A	5/1963	Fischer et al.	83/468
D228,825 S	10/1973	Pottern	D95/1 R
3,792,636 A	2/1974	Pottern	83/468
4,494,430 A	1/1985	Bautista et al.	83/468

4,957,235 A	9/1990	Beno et al.	227/156
D319,255 S	8/1991	Beno et al.	D18/34
D321,715 S	11/1991	Beno et al.	D18/34
5,322,001 A *	6/1994	Boda	83/485
5,887,505 A	3/1999	Mathian	83/468.7
D409,651 S	5/1999	Rellinger	D18/34
D411,227 S	6/1999	Mori	D18/34
D443,294 S	6/2001	Munoz	D18/34
D458,296 S *	6/2002	Odman	D18/34
D468,343 S *	1/2003	Lira-Nunez	D18/34
2002/0007708 A1	1/2002	Freeman	
2002/0007713 A1	1/2002	Lee	

* cited by examiner

Primary Examiner—Martie K. Holtje

(74) *Attorney, Agent, or Firm*—Ohlandt, Greeley, Ruggiero & Perle, L.L.P.

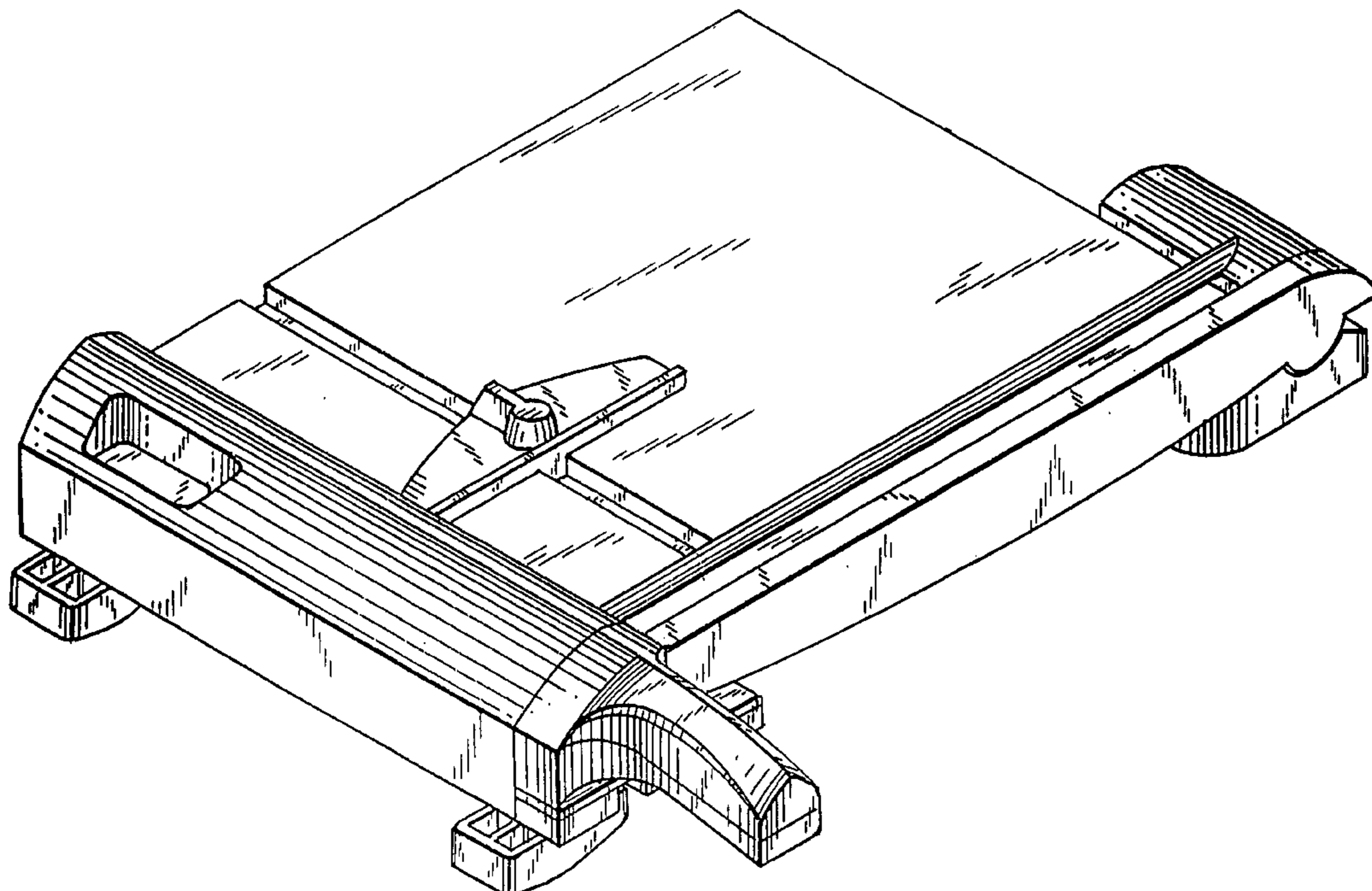
(57) **CLAIM**

The ornamental design for a guillotine style paper trimmer, as shown and described.

DESCRIPTION

FIG. 1 is a perspective view of a guillotine style paper trimmer;
FIG. 2 is a side view of FIG. 1;
FIG. 3 is a side view, ninety degrees from the view of FIG. 2;
FIG. 4 is a top view of FIG. 1;
FIG. 5 is a bottom view of FIG. 1;
FIG. 6 is a side view opposite the view of FIG. 2;
FIG. 7 is a side view that is also opposite the side view of FIG. 3; and,
FIG. 8 is a side view of FIG. 7 with the blade in an alternate position.

1 Claim, 6 Drawing Sheets



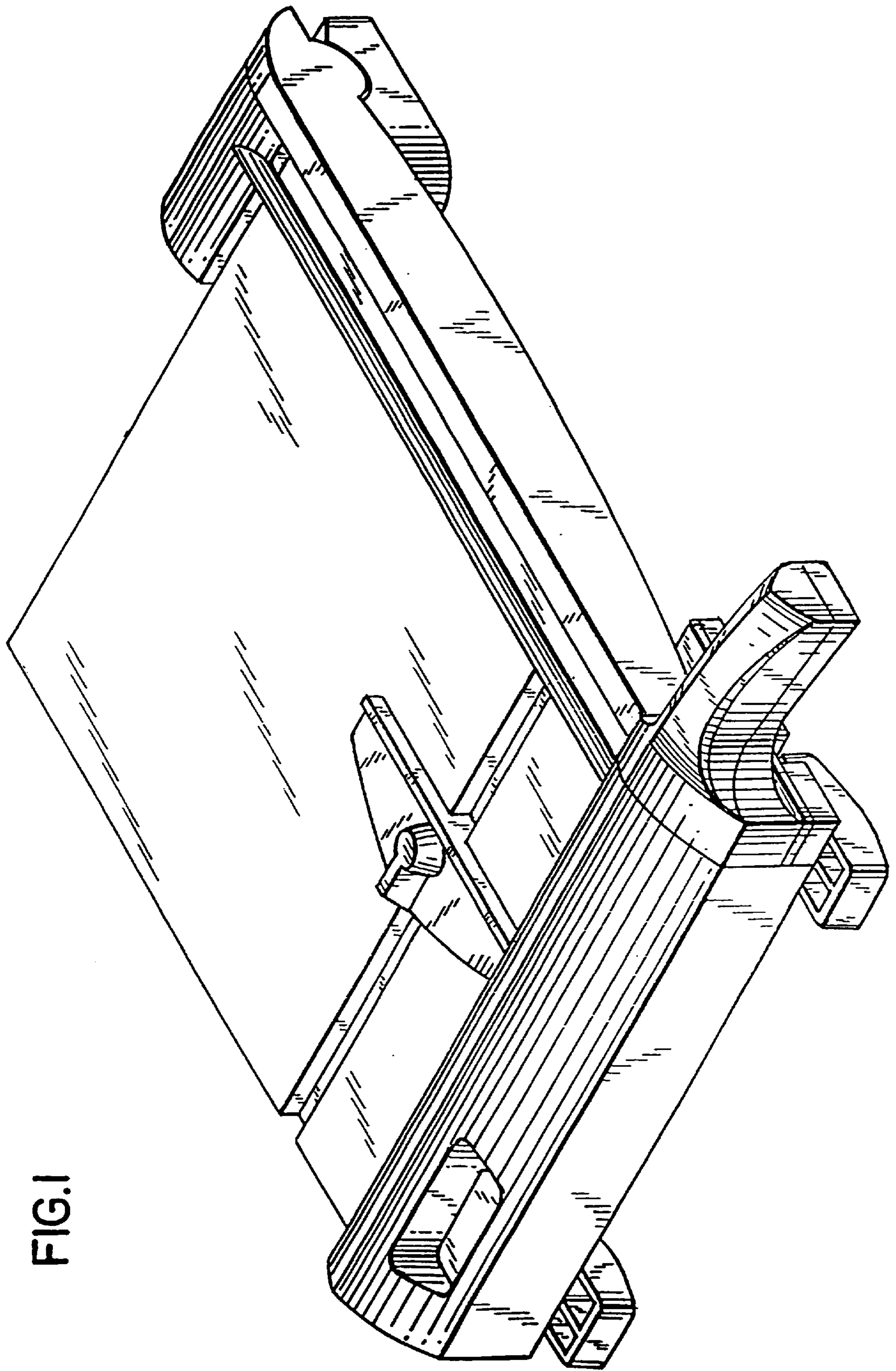


FIG.1

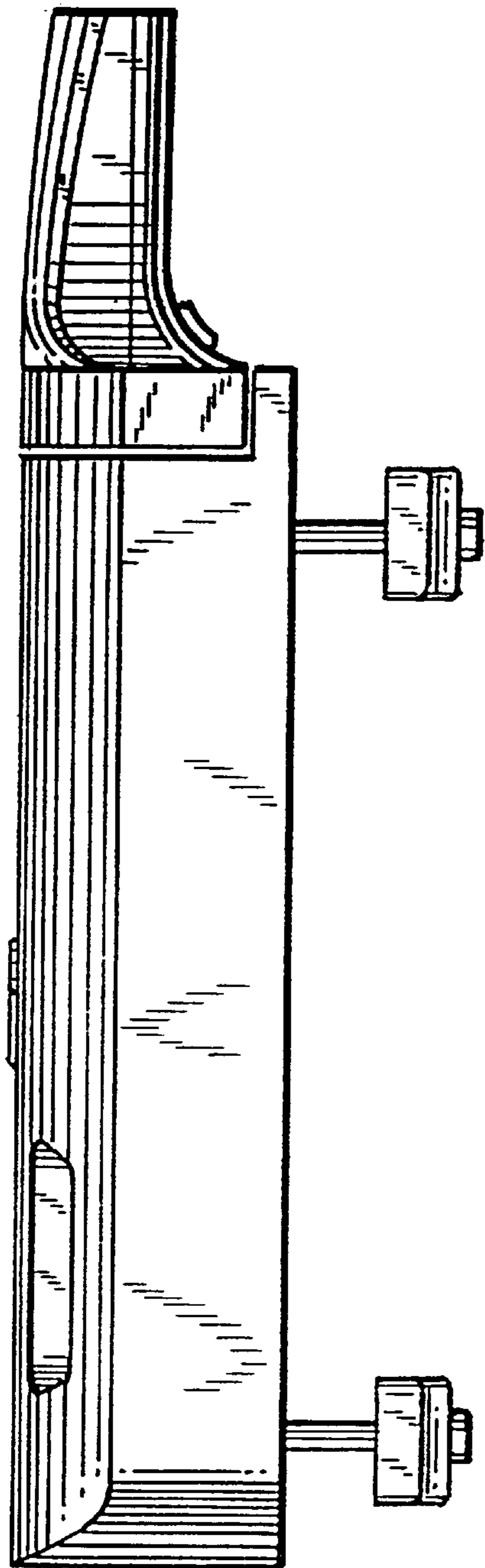


FIG. 2

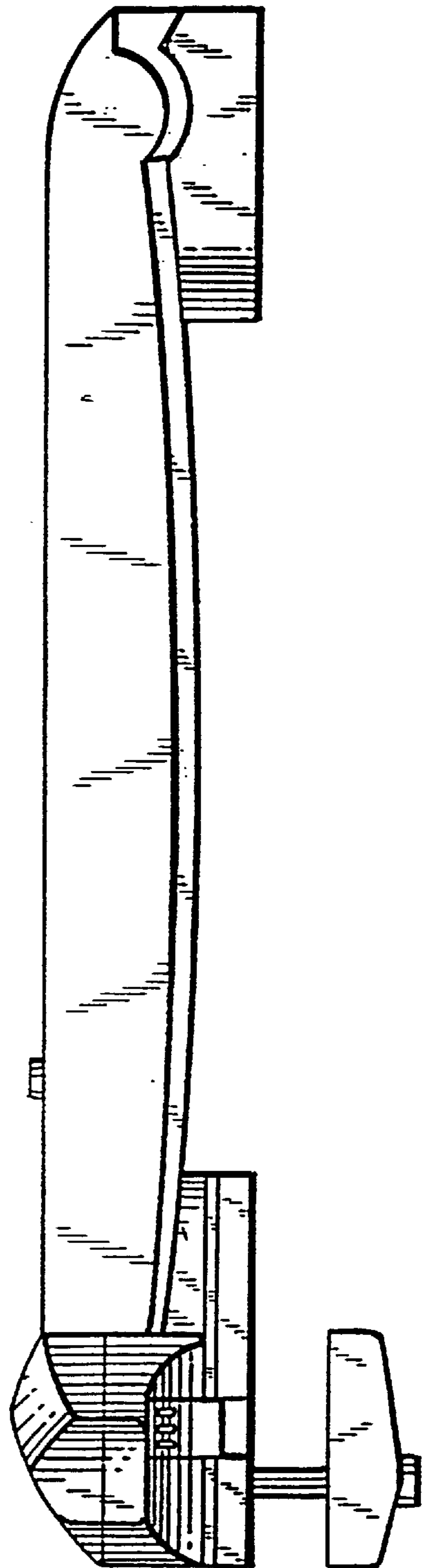


FIG. 3

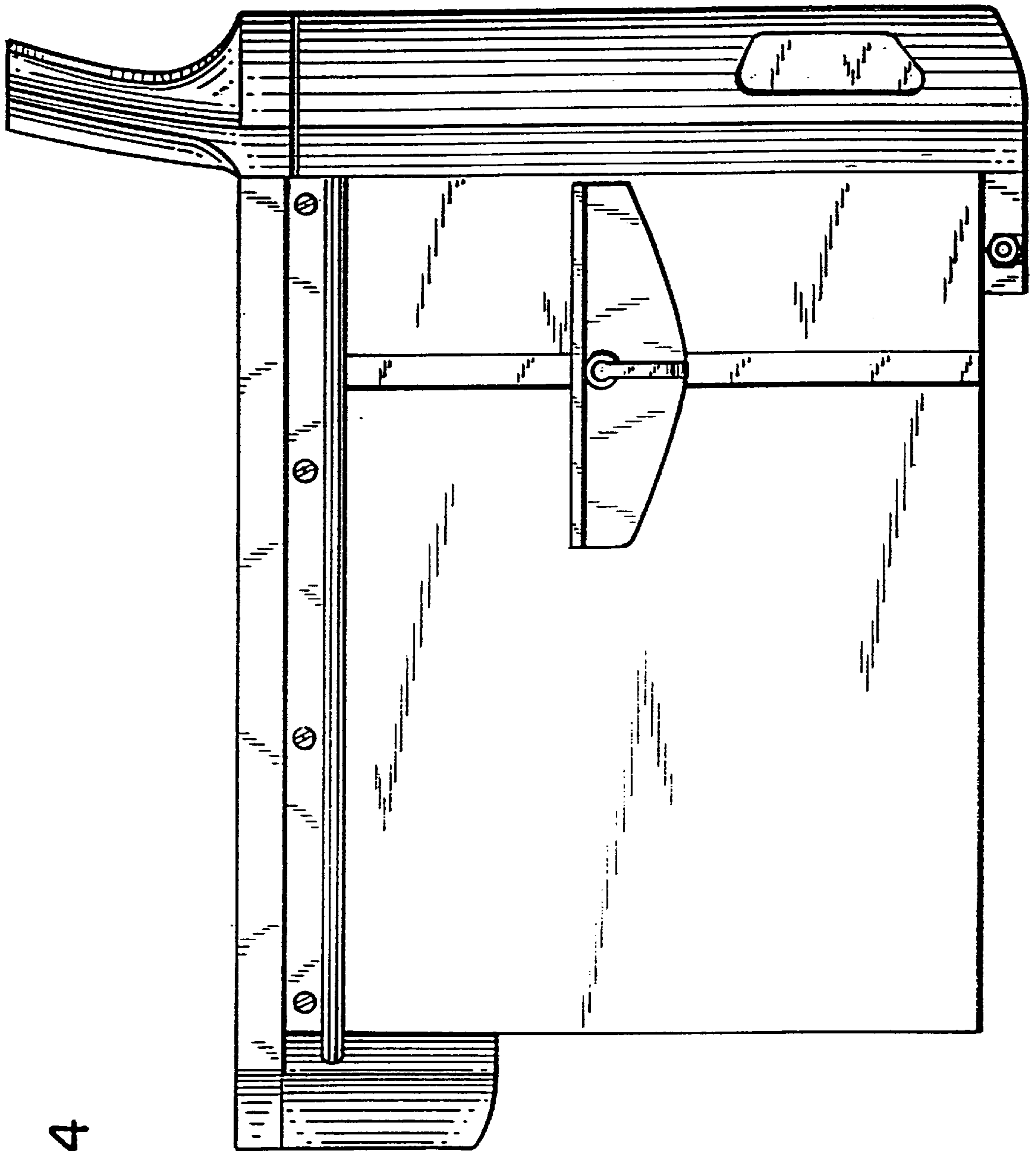


FIG.4

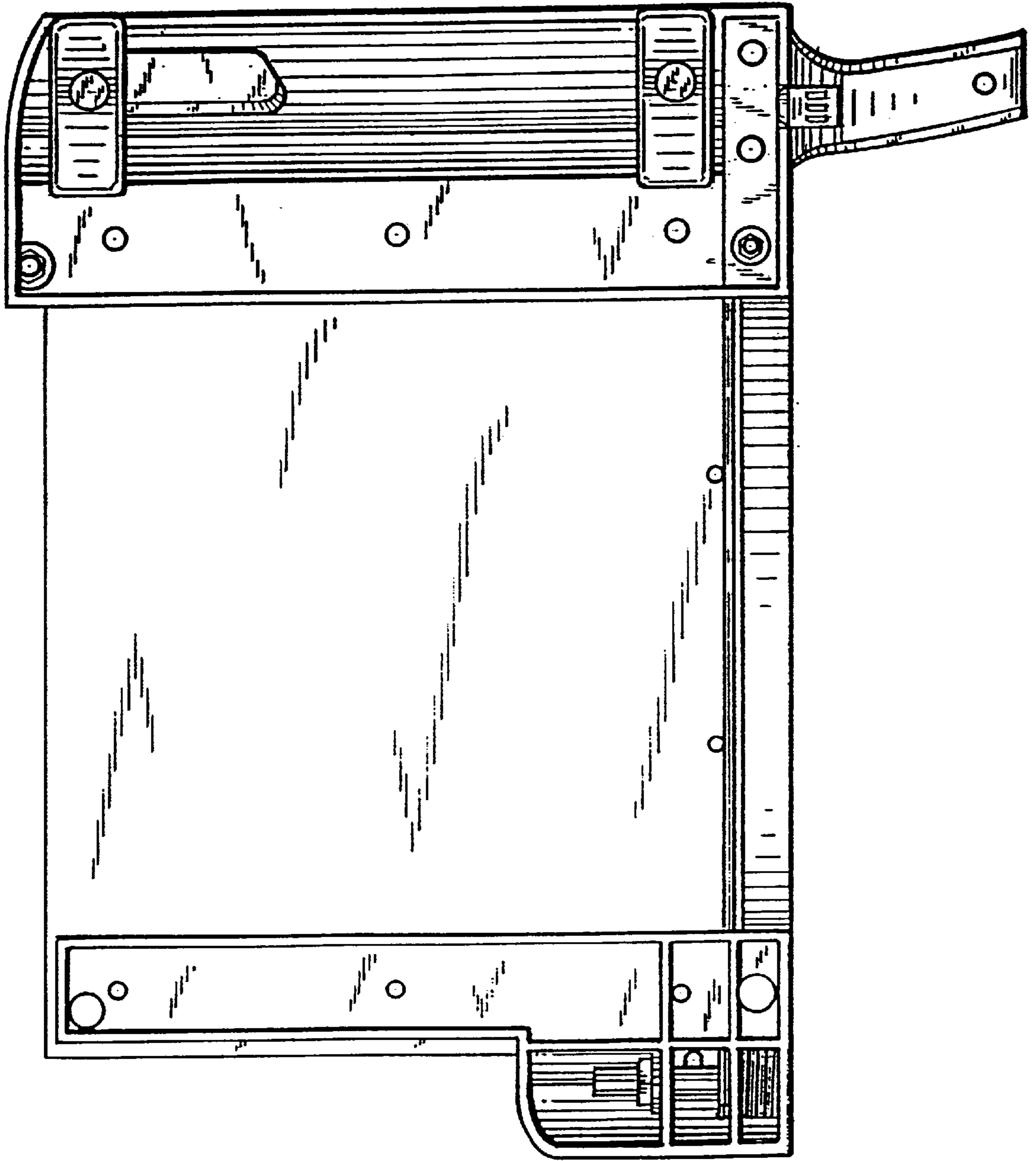


FIG. 5

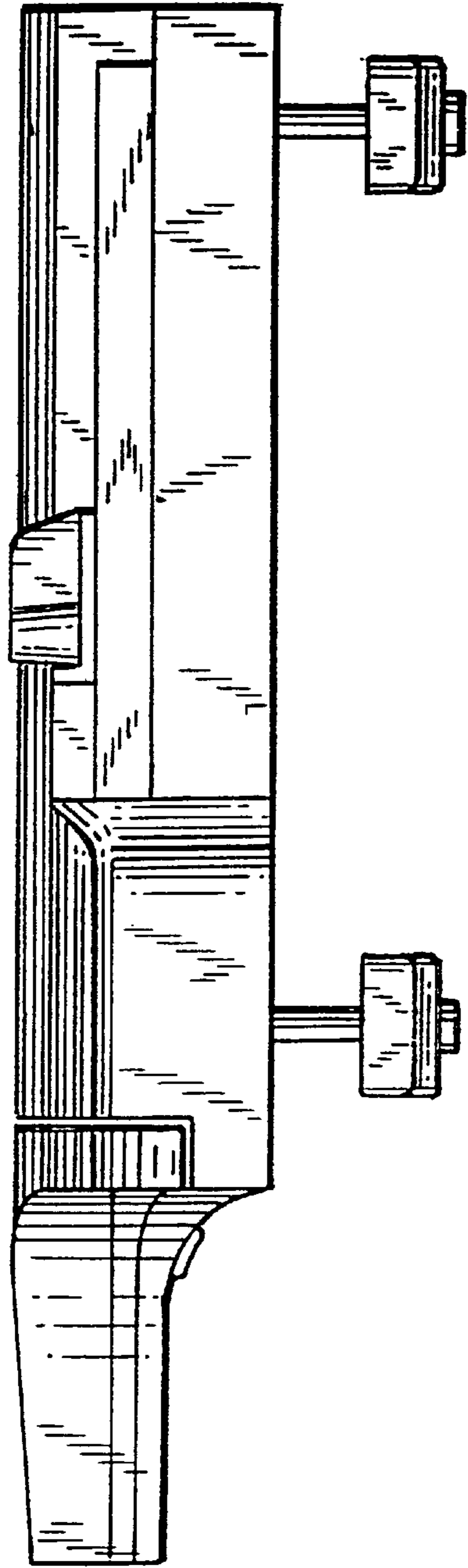


FIG. 6

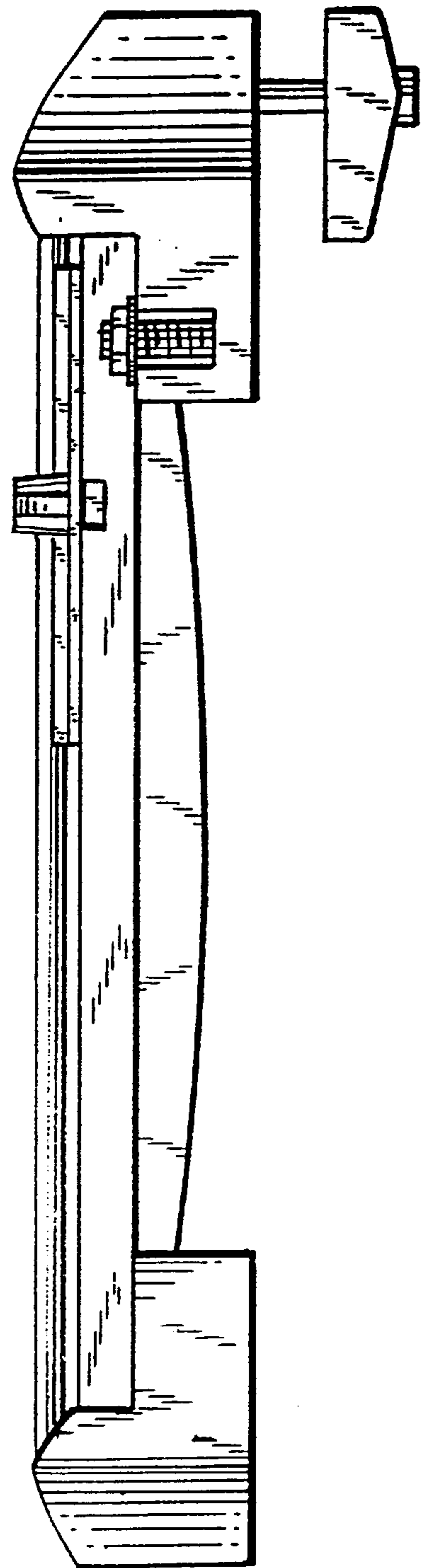


FIG. 7

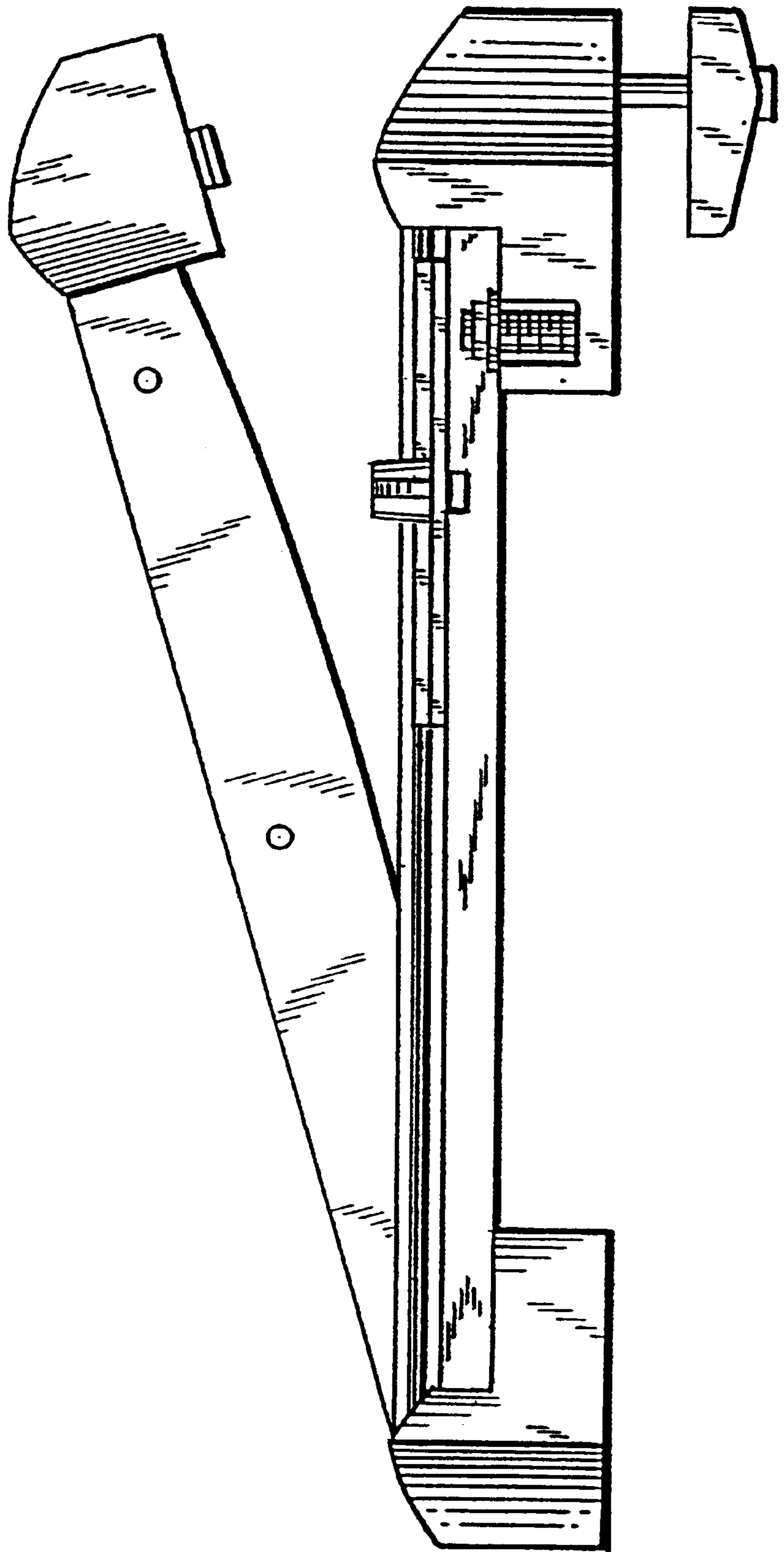


FIG. 8