



US00D477011S

(12) **United States Design Patent**  
**Jamin**

(10) **Patent No.:** **US D477,011 S**

(45) **Date of Patent:** **\*\* Jul. 8, 2003**

(54) **SPECTACLES (AL 13)**

D331,764 S \* 12/1992 Wellner ..... D16/325

(75) Inventor: **Mathieu Jamin**, Paris (FR)

**OTHER PUBLICATIONS**

(73) Assignee: **Christian Dior Couture, S.A.**, Paris (FR)

Optician, Insert, Feb. 5, 1982.\*  
Optometric Monthly, P906, Dec. 1984.\*

(\*\*) Term: **14 Years**

\* cited by examiner

(21) Appl. No.: **29/164,782**

*Primary Examiner*—Raphael Barkai  
(74) *Attorney, Agent, or Firm*—Amster, Rothstein & Ebenstein; Philip H. Gottfried, Esq.

(22) Filed: **Jul. 30, 2002**

(30) **Foreign Application Priority Data**

(57) **CLAIM**

Mar. 5, 2002 (WO) ..... DM/059 554

The ornamental design for spectacles (AL13), as shown and described.

(51) **LOC (7) Cl.** ..... **16-06**

**DESCRIPTION**

(52) **U.S. Cl.** ..... **D16/325**

(58) **Field of Search** ..... D16/101, 300-333,  
D16/335; D29/109, 110; 351/41, 44, 51,  
52, 83, 90, 111, 117, 123, 158; 2/447, 448

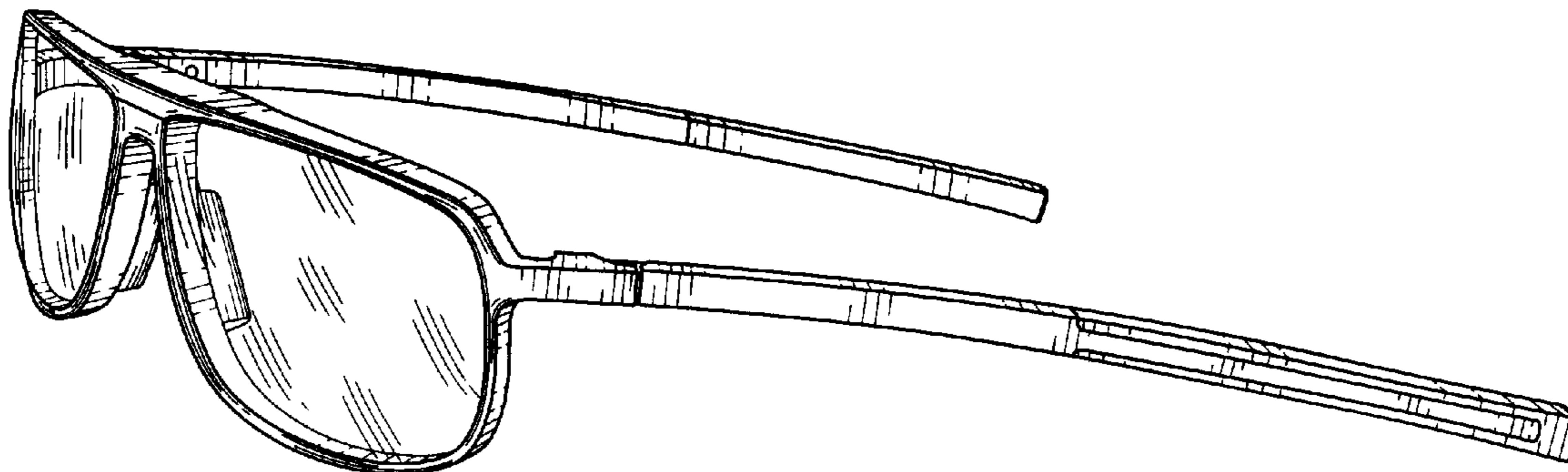
FIG. 1 is a right front perspective view of spectacles showing my new design;  
FIG. 2 is a front elevational view thereof;  
FIG. 3 is a top plan view thereof;  
FIG. 4 is a right-side elevational view thereof;  
FIG. 5 is a bottom plan view thereof;  
FIG. 6 is a left side elevational view thereof; and,  
FIG. 7 is a rear elevational view thereof.

(56) **References Cited**

**U.S. PATENT DOCUMENTS**

D231,948 S \* 6/1974 Loughner ..... D16/325  
D264,094 S \* 4/1982 Morris ..... D16/325  
D273,684 S \* 5/1984 Dianitsch ..... D16/325

**1 Claim, 3 Drawing Sheets**



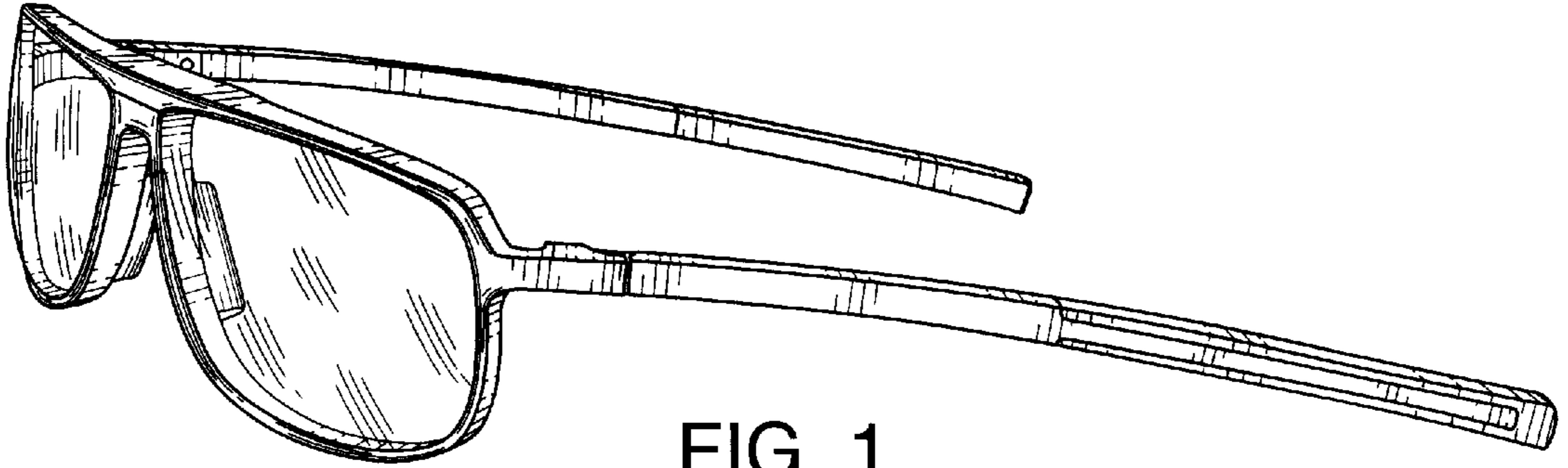


FIG. 1

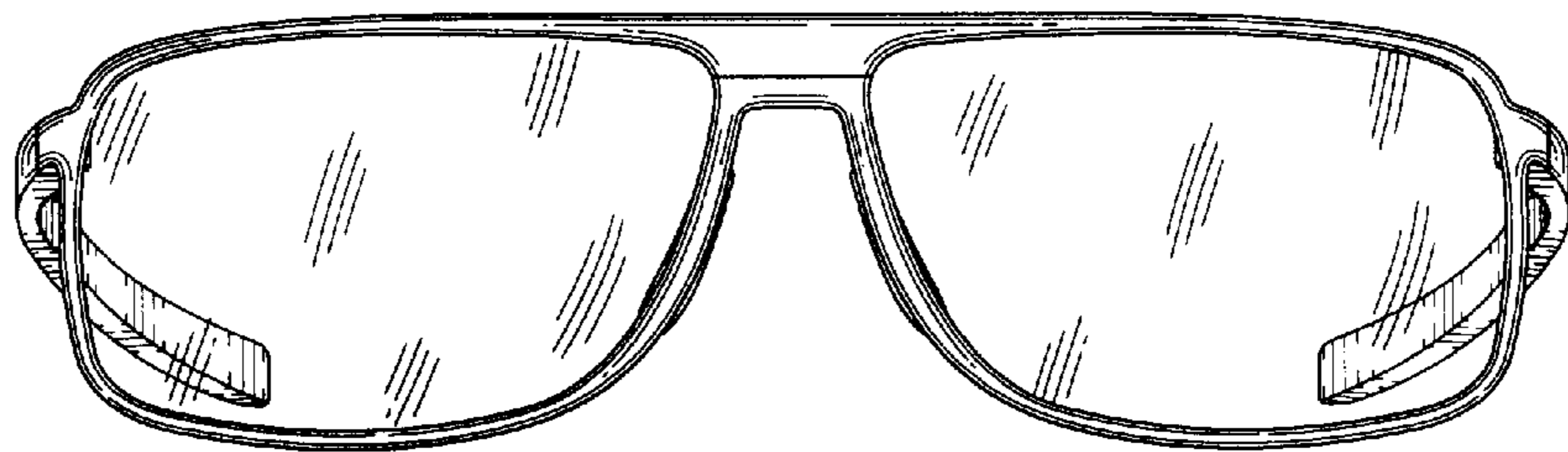


FIG. 2

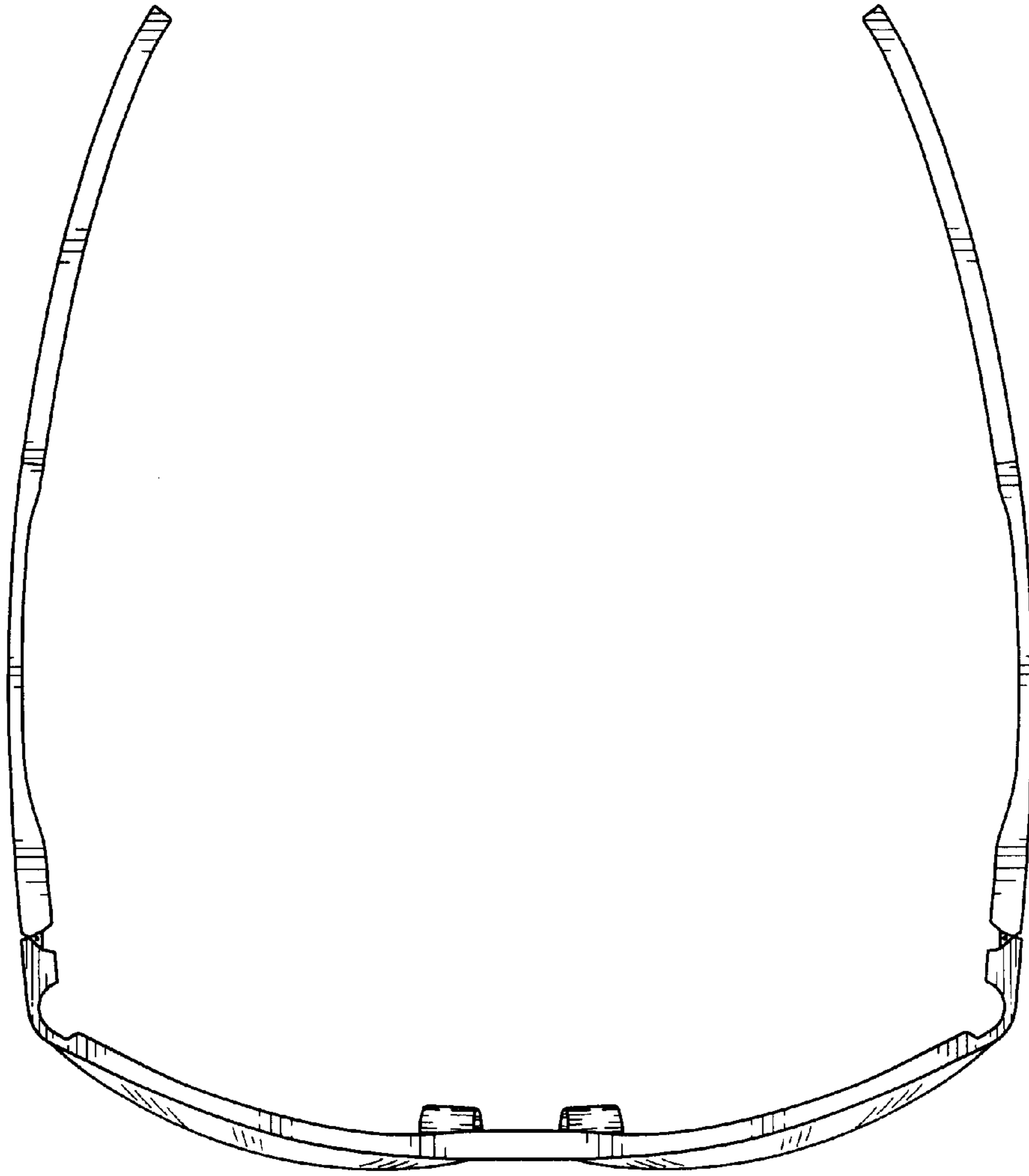


FIG. 3

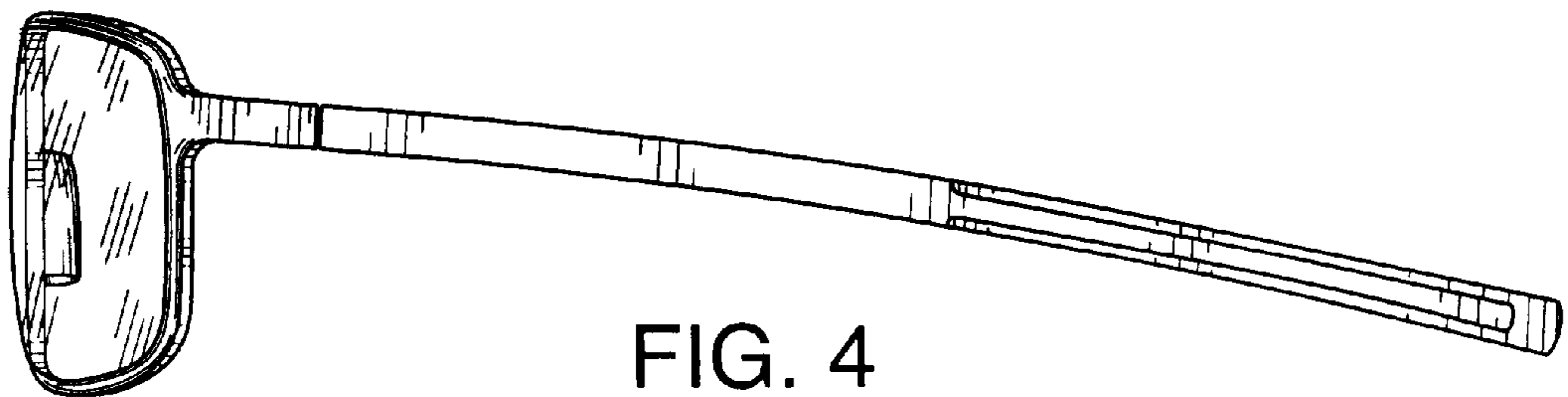


FIG. 4

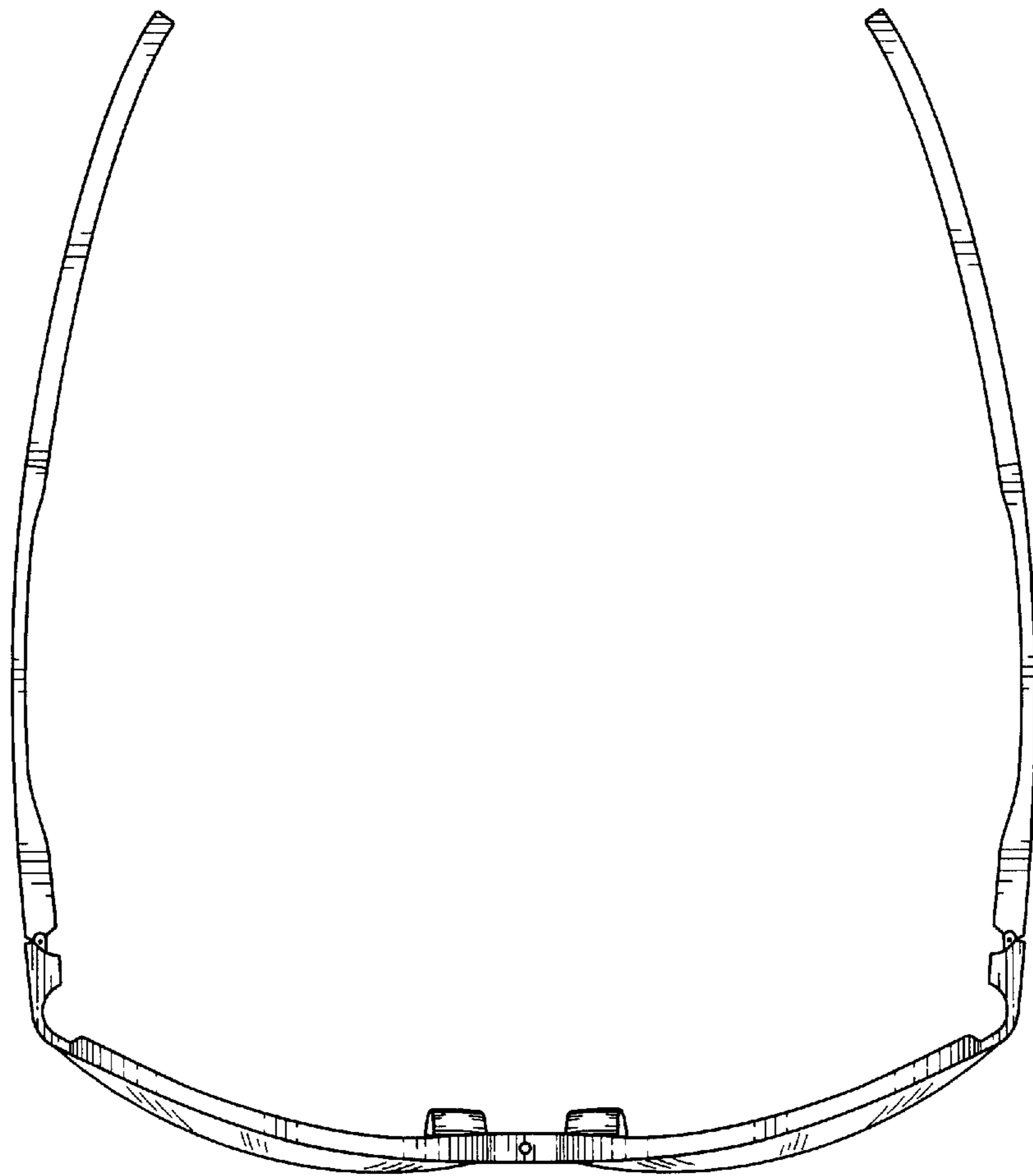


FIG. 5

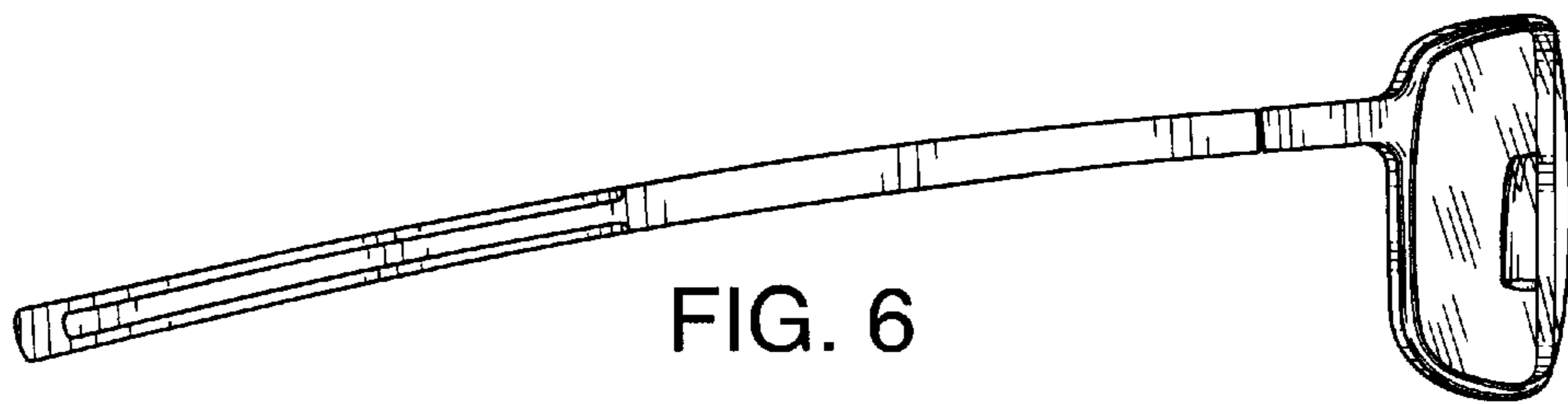


FIG. 6

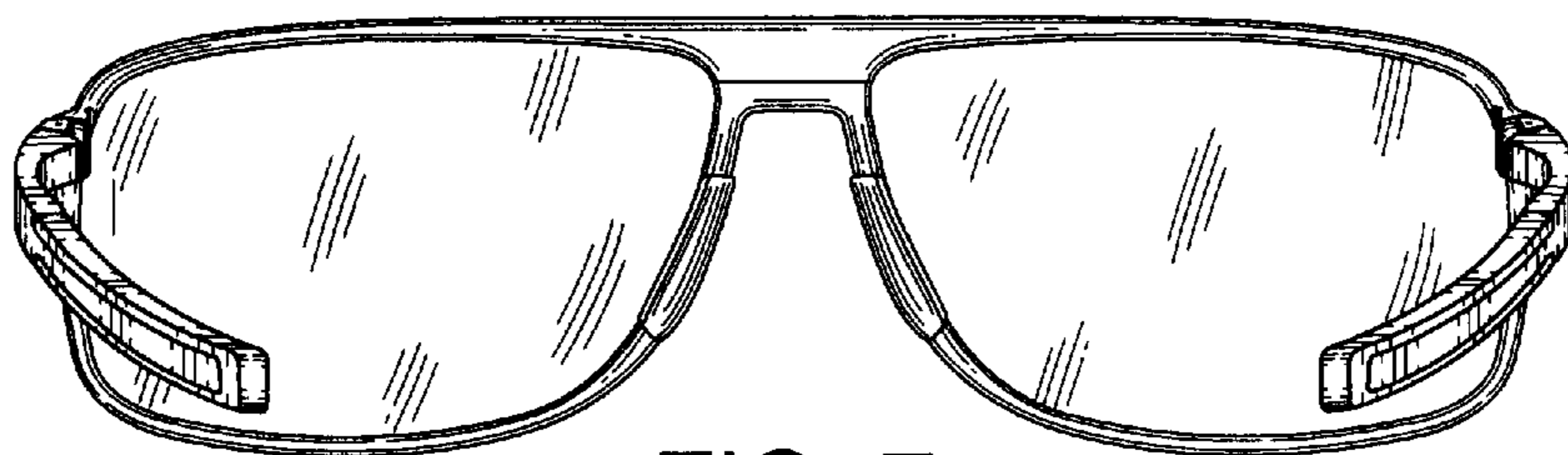


FIG. 7