



US00D477009S

(12) **United States Design Patent**
Ikenaga

(10) **Patent No.:** **US D477,009 S**

(45) **Date of Patent:** **** Jul. 8, 2003**

(54) **VIDEO CAMERA**

WO DM/048412 * 6/1999 16/1

(75) Inventor: **Takashi Ikenaga**, Tokyo (JP)

OTHER PUBLICATIONS

(73) Assignee: **Sony Corporation**, Tokyo (JP)

Catalog "Handycam, DCR-TRV20", 3 sheets, SONY (Feb. 2001).

(**) Term: **14 Years**

Catalog "Handycam, DCR-TR30 & DCR-TRV17K", 4 sheets, SONY (Jul. 2001).

(21) Appl. No.: **29/164,416**

* cited by examiner

(22) Filed: **Jul. 25, 2002**

(51) **LOC (7) Cl.** **16-05**

Primary Examiner—Adir Aronovich

(52) **U.S. Cl.** **D16/219**

(74) *Attorney, Agent, or Firm*—Rader, Fishman & Grauer PLLC

(58) **Field of Search** D16/200-205,
D16/208, 219; 348/373-376; 358/906

(57) **CLAIM**

(56) **References Cited**

The ornamental design for a video camera, as shown and described.

U.S. PATENT DOCUMENTS

DESCRIPTION

D373,778 S	*	9/1996	Fasciano et al.	D16/219
D381,996 S	*	8/1997	Kobayashi	D16/202
D400,900 S		11/1998	Harata	D16/202
D404,051 S		1/1999	Ishii	D16/219
D416,928 S	*	11/1999	Sumita	D16/202
D435,573 S	*	12/2000	Harata	D16/202
D441,385 S	*	5/2001	Miyashita	D16/202
D443,629 S	*	6/2001	Suzuki	D16/202
D450,741 S		11/2001	Oka	D16/219
D456,434 S		4/2002	Yamazaki	D16/202
D463,467 S	*	9/2002	Sumita	D16/202

FIG. 1 is a perspective view of a video camera showing my new design;

FIG. 2 is a front elevational view thereof;

FIG. 3 is a rear elevational view thereof;

FIG. 4 is a right side elevational view thereof;

FIG. 5 is a top plan view thereof; and,

FIG. 6 is a bottom plan view thereof.

Portions in broken lines are for illustrative purposes only and form no part of the claimed design.

FOREIGN PATENT DOCUMENTS

WO DM/042742 * 4/1998 16/1

1 Claim, 4 Drawing Sheets

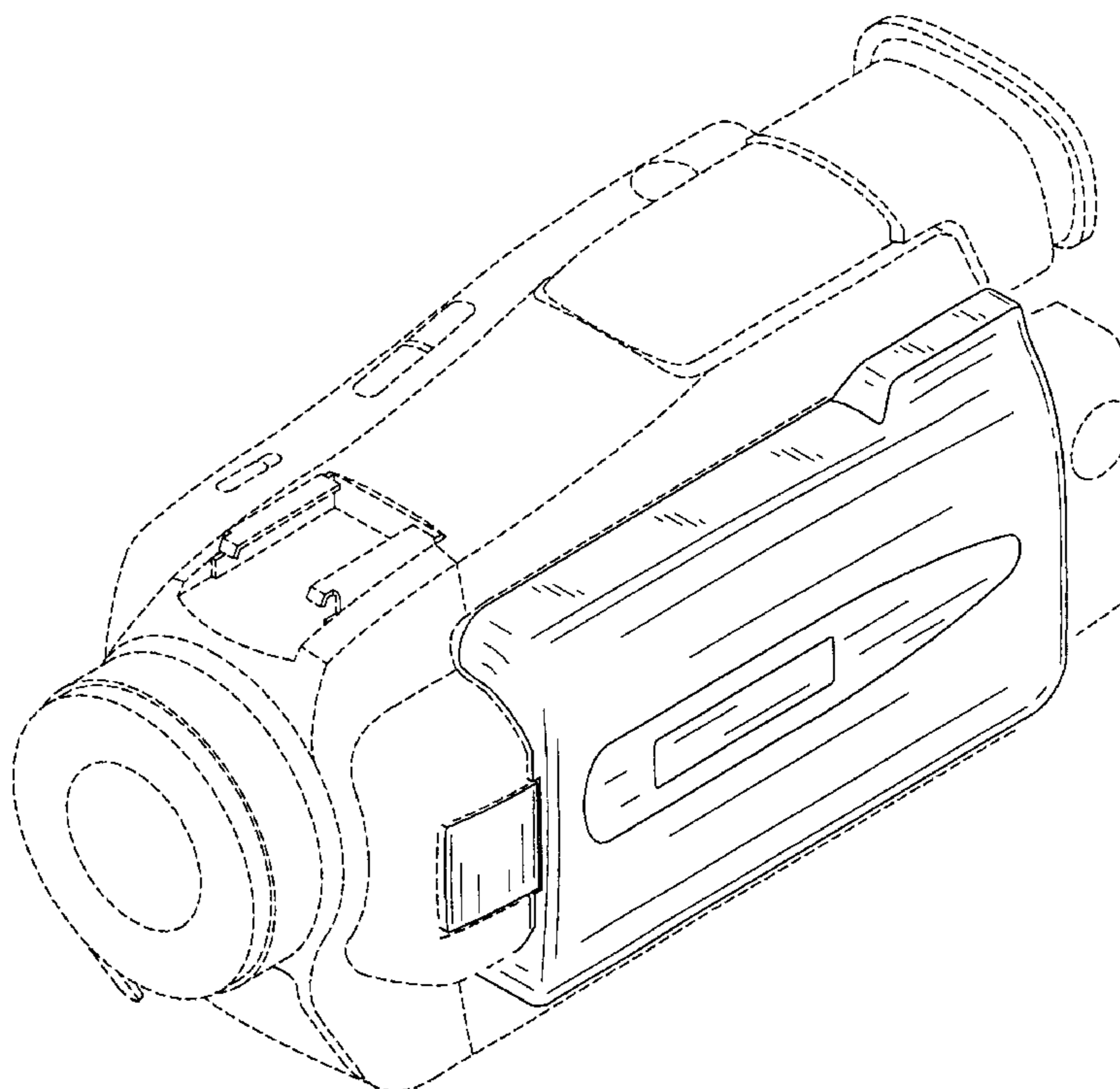


FIG. 1

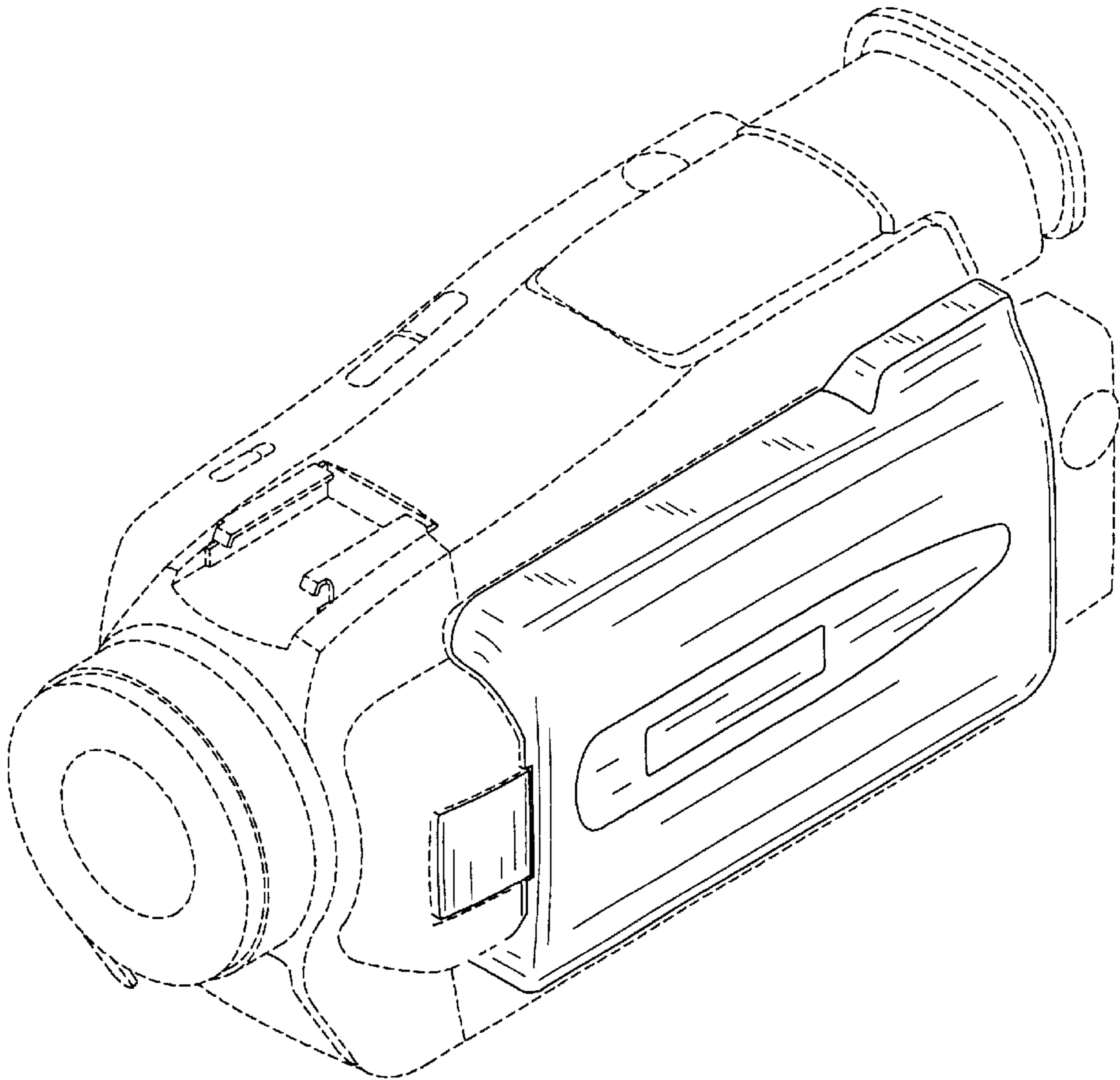


FIG. 2

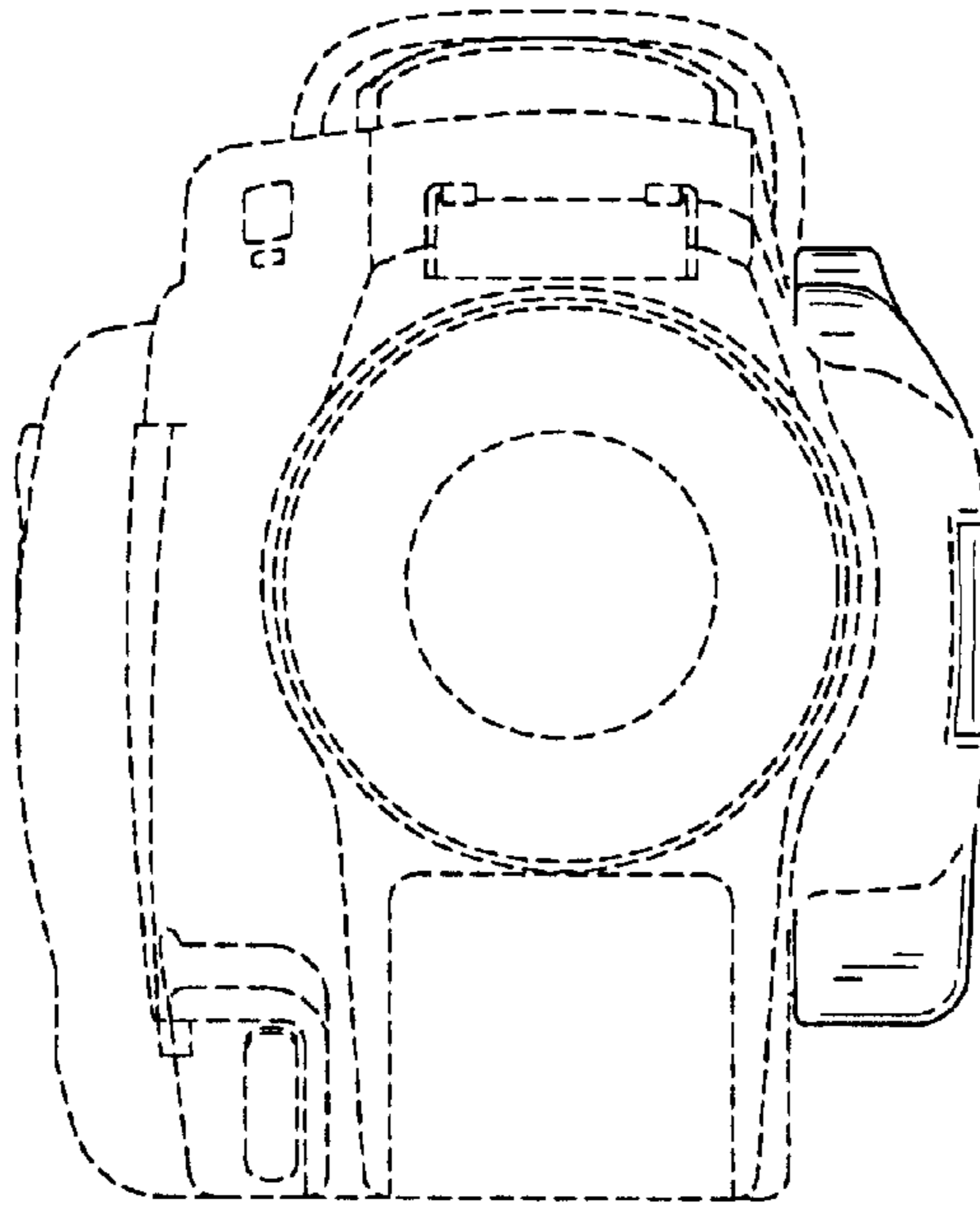


FIG. 3

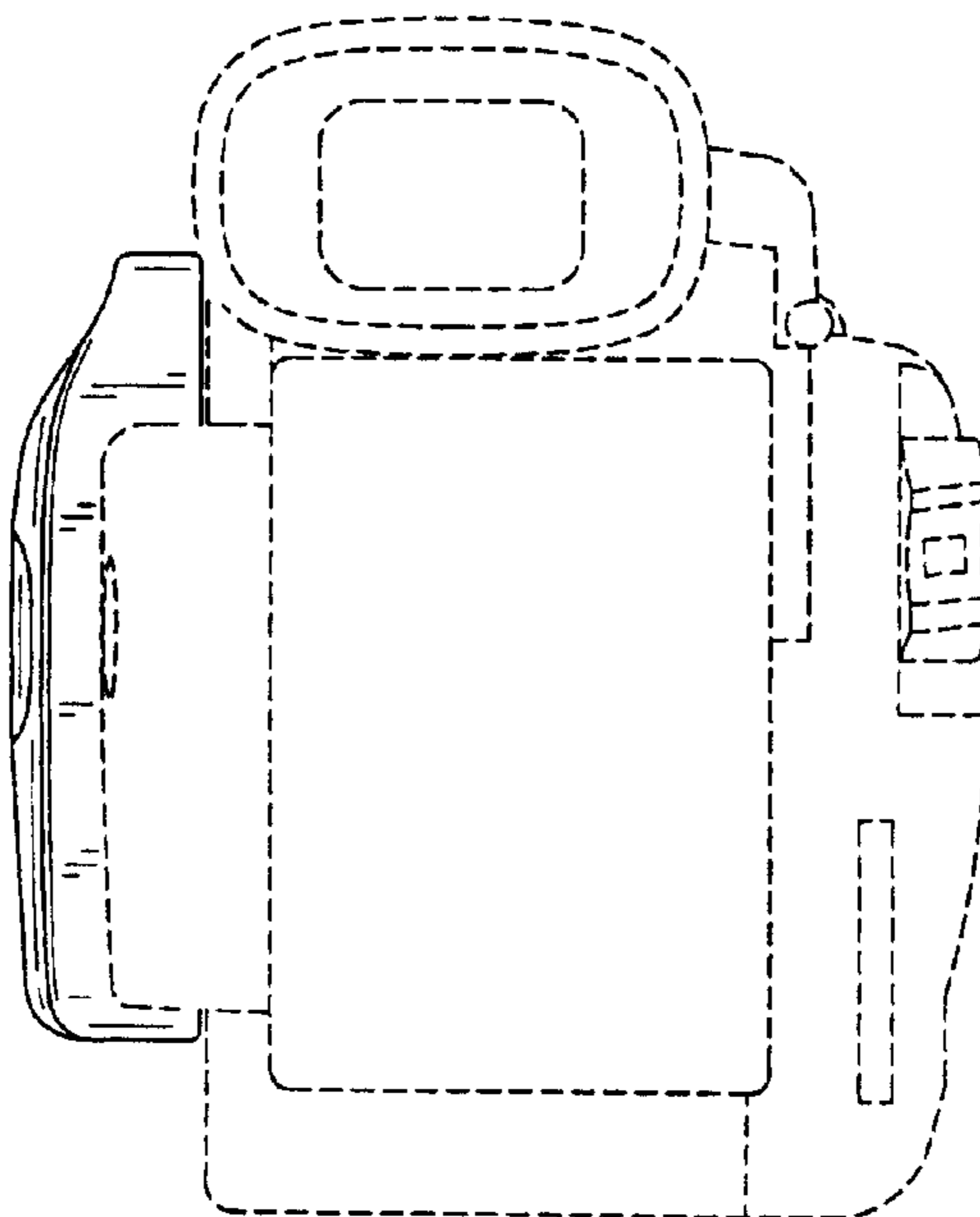


FIG. 4

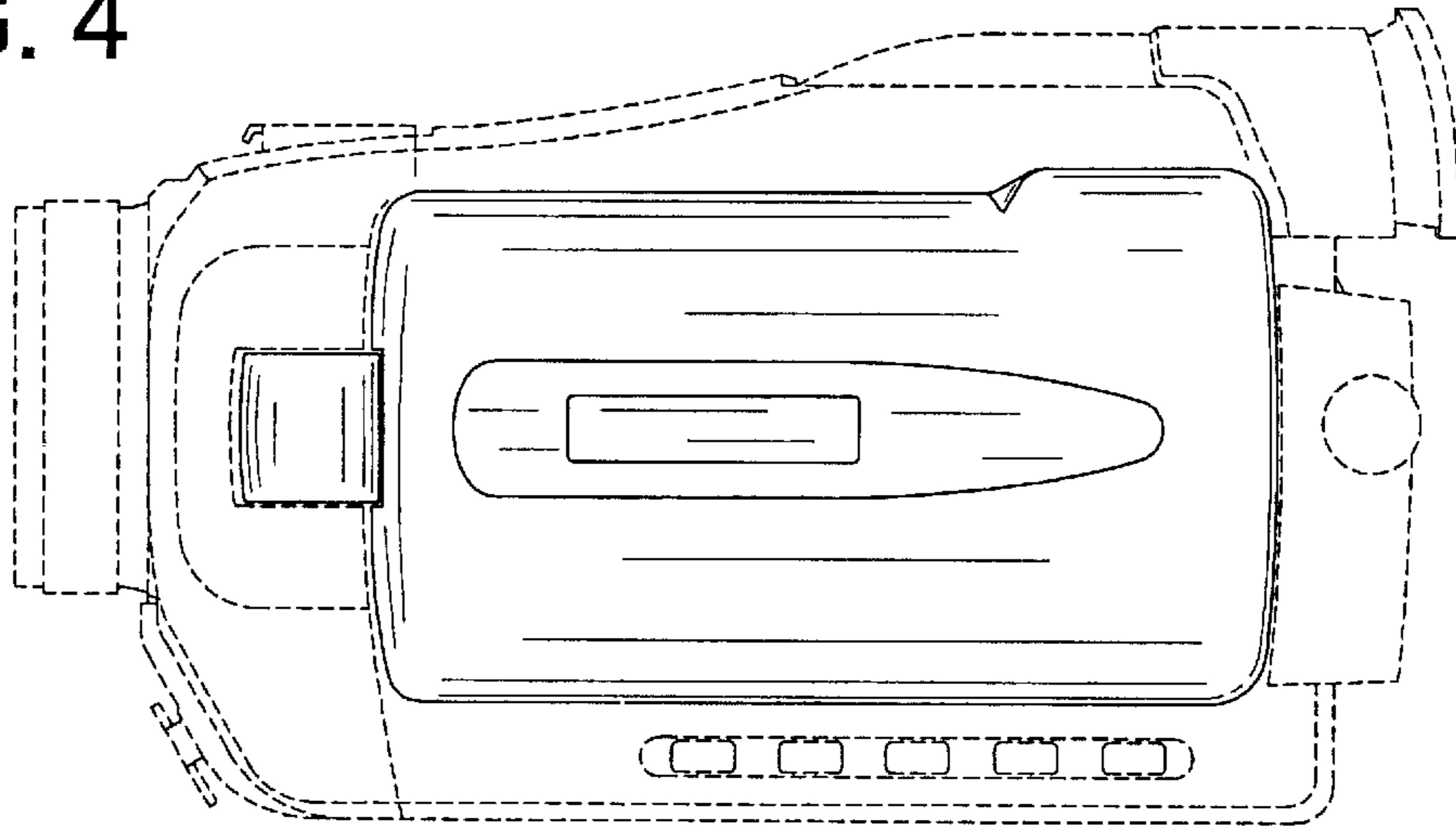


FIG. 5

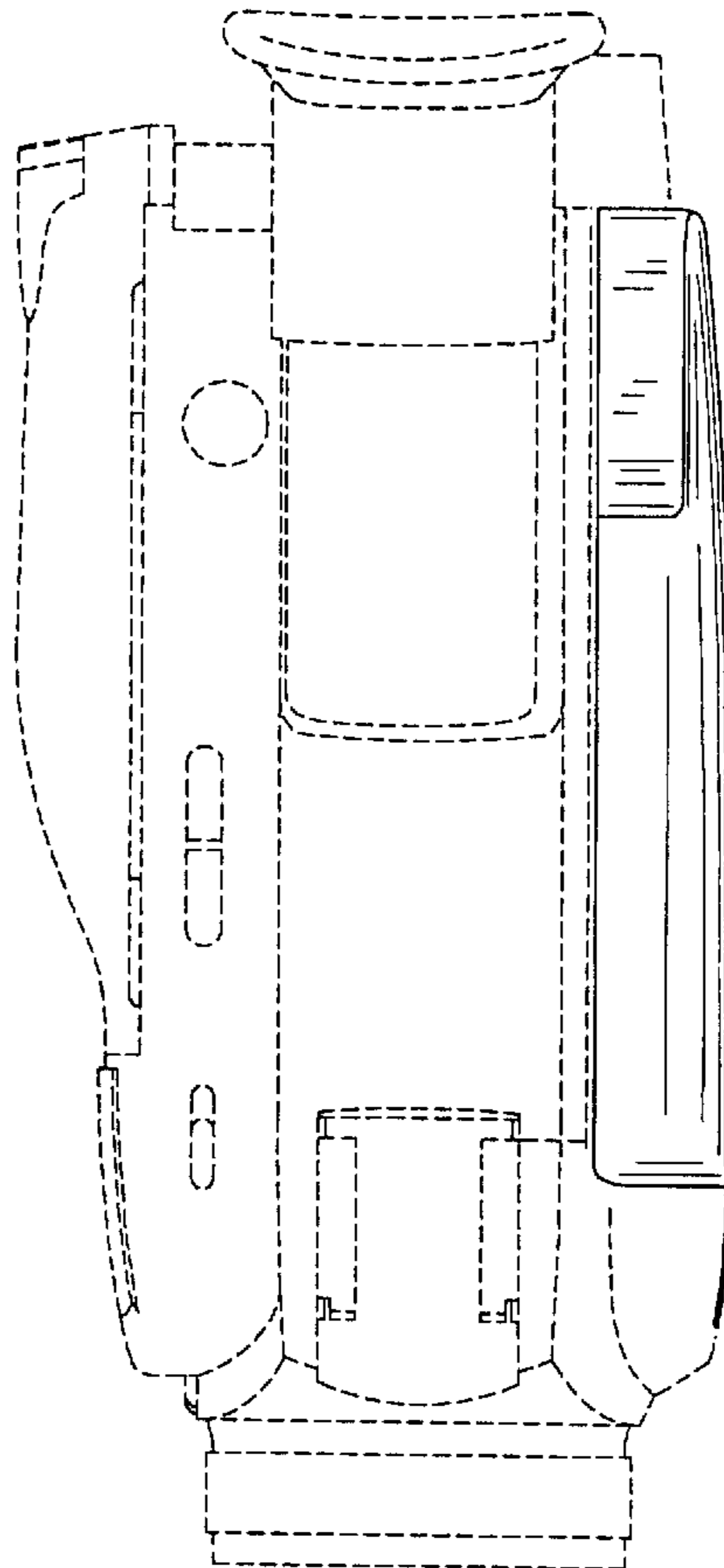


FIG. 6

