



US00D477008S

(12) **United States Design Patent**
Asaka et al.

(10) **Patent No.:** **US D477,008 S**

(45) **Date of Patent:** **** Jul. 8, 2003**

(54) **MICROSCOPE**

(75) Inventors: **Takeshi Asaka**, Tokyo (JP); **Minoru Inoue**, Ina (JP); **Shinichiro Shiba**, Nagano-ken (JP)

(73) Assignee: **Olympus Optical Co., Ltd.**, Tokyo (JP)

(**) Term: **14 Years**

(21) Appl. No.: **29/171,456**

(22) Filed: **Nov. 21, 2002**

(30) **Foreign Application Priority Data**

Aug. 6, 2002 (JP) 2002-021021

(51) **LOC (7) Cl.** **16-06**

(52) **U.S. Cl.** **D16/131**

(58) **Field of Search** D16/130, 131;
359/375, 376, 377, 378, 381, 382, 383,
385, 368, 392, 393, 390, 391

(56) **References Cited**

U.S. PATENT DOCUMENTS

3,721,827 A * 3/1973 Reinheimer 359/392 X
D273,592 S * 4/1984 Armbruster D16/131
D296,904 S * 7/1988 Lukaszewski D16/131

D345,746 S * 4/1994 Höbl D16/131
D354,761 S * 1/1995 Komatsuzaki et al. D16/131
D400,548 S * 11/1998 Komatsuzaki D16/131
D420,028 S * 2/2000 Wani et al. D16/131
D440,996 S * 4/2001 Takanashi D16/131
D465,799 S * 11/2002 Asaka et al. D16/131

* cited by examiner

Primary Examiner—Paula A. Mortimer

(74) *Attorney, Agent, or Firm*—Hogan & Hartson, LLP

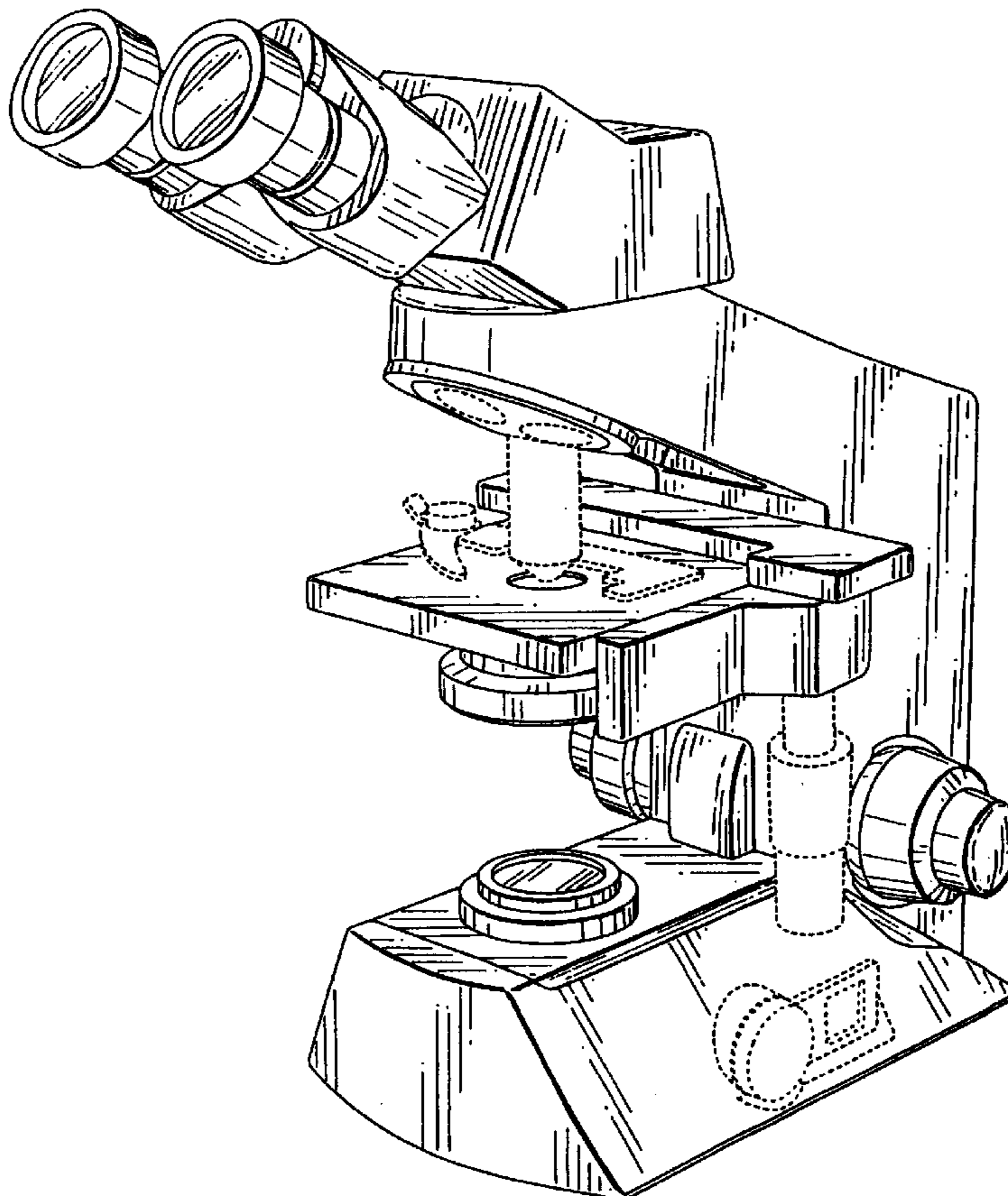
(57) **CLAIM**

The ornamental design for a microscope, as shown and described.

DESCRIPTION

FIG. 1 is a front, top and right side perspective view of a microscope, showing our new design;
FIG. 2 is a rear, top and left side perspective view thereof;
FIG. 3 is a front elevational view thereof;
FIG. 4 is a right side elevational view thereof;
FIG. 5 is a rear elevational view thereof;
FIG. 6 is a left side elevational view thereof;
FIG. 7 is a top plan view thereof; and,
FIG. 8 is a bottom plan view thereof.

1 Claim, 4 Drawing Sheets



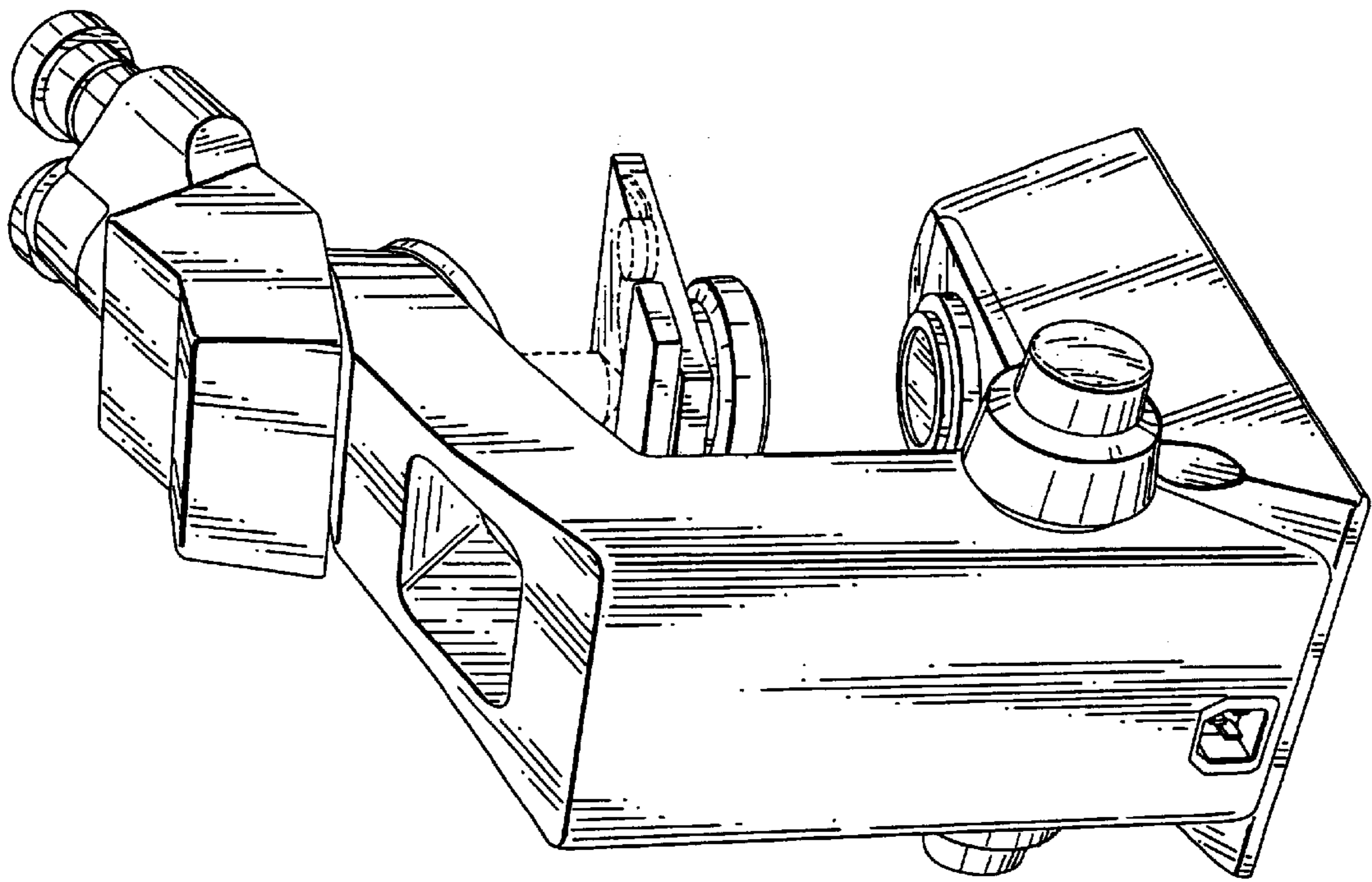


FIG. 2

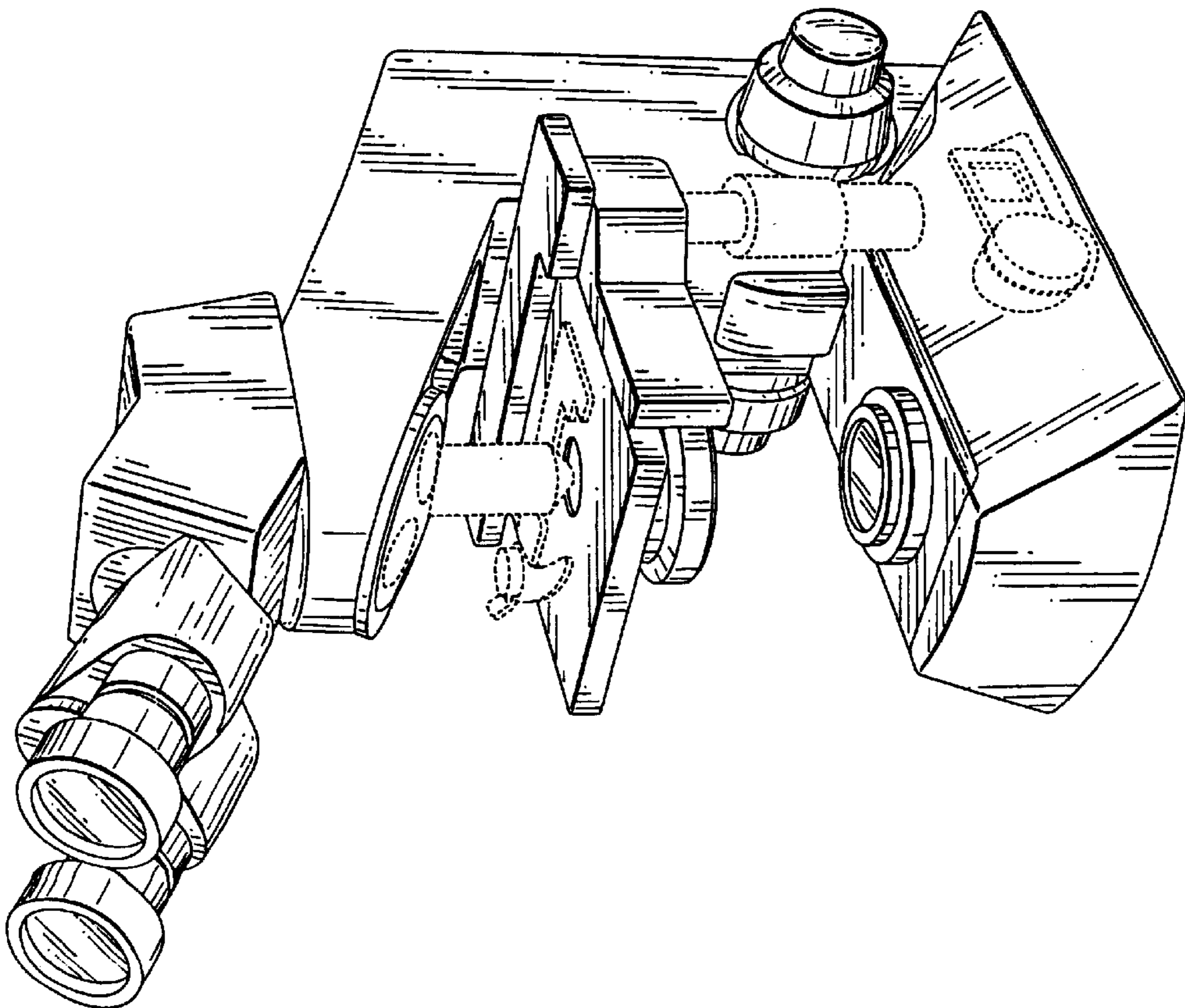


FIG. 1

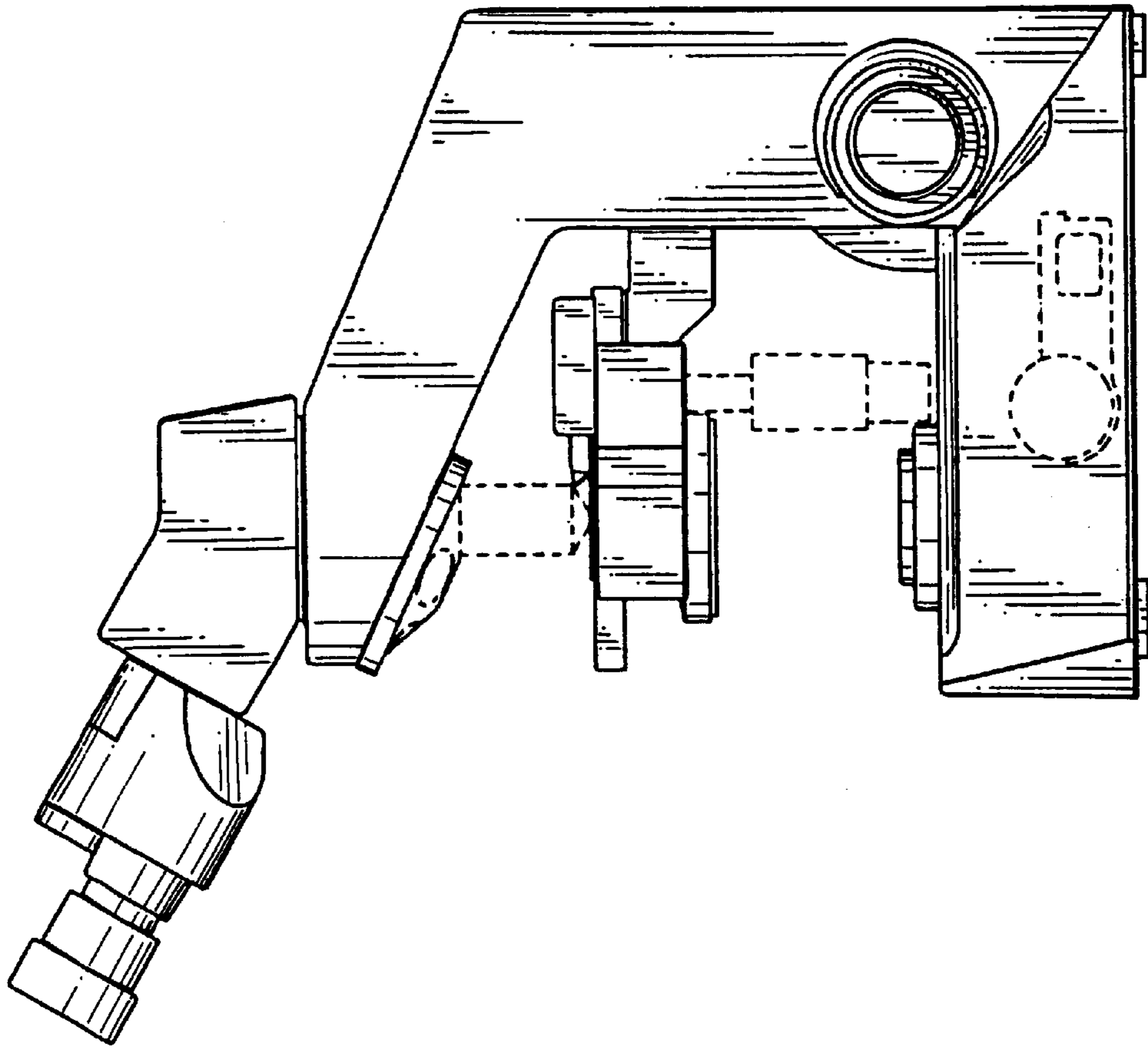


FIG. 4

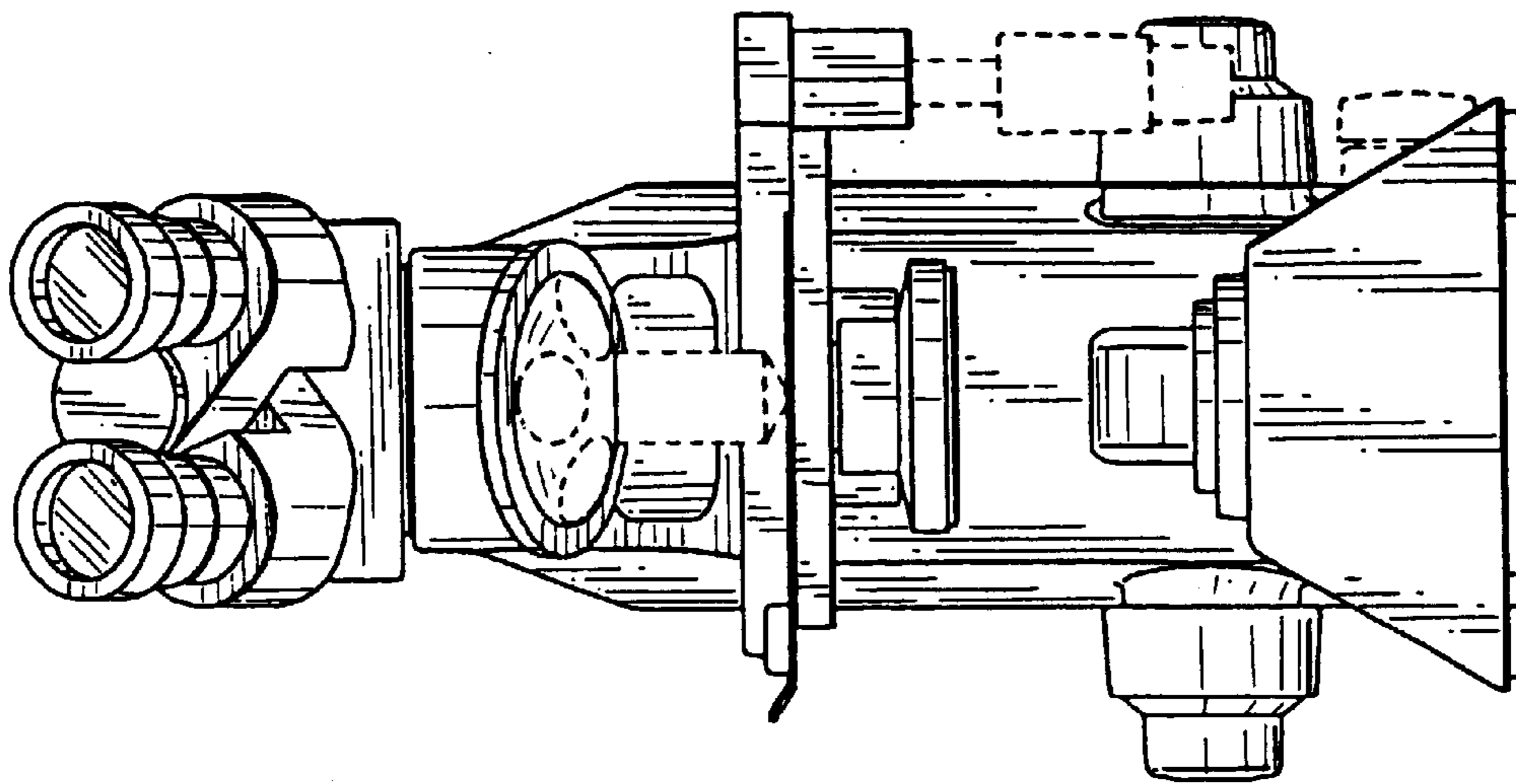


FIG. 3

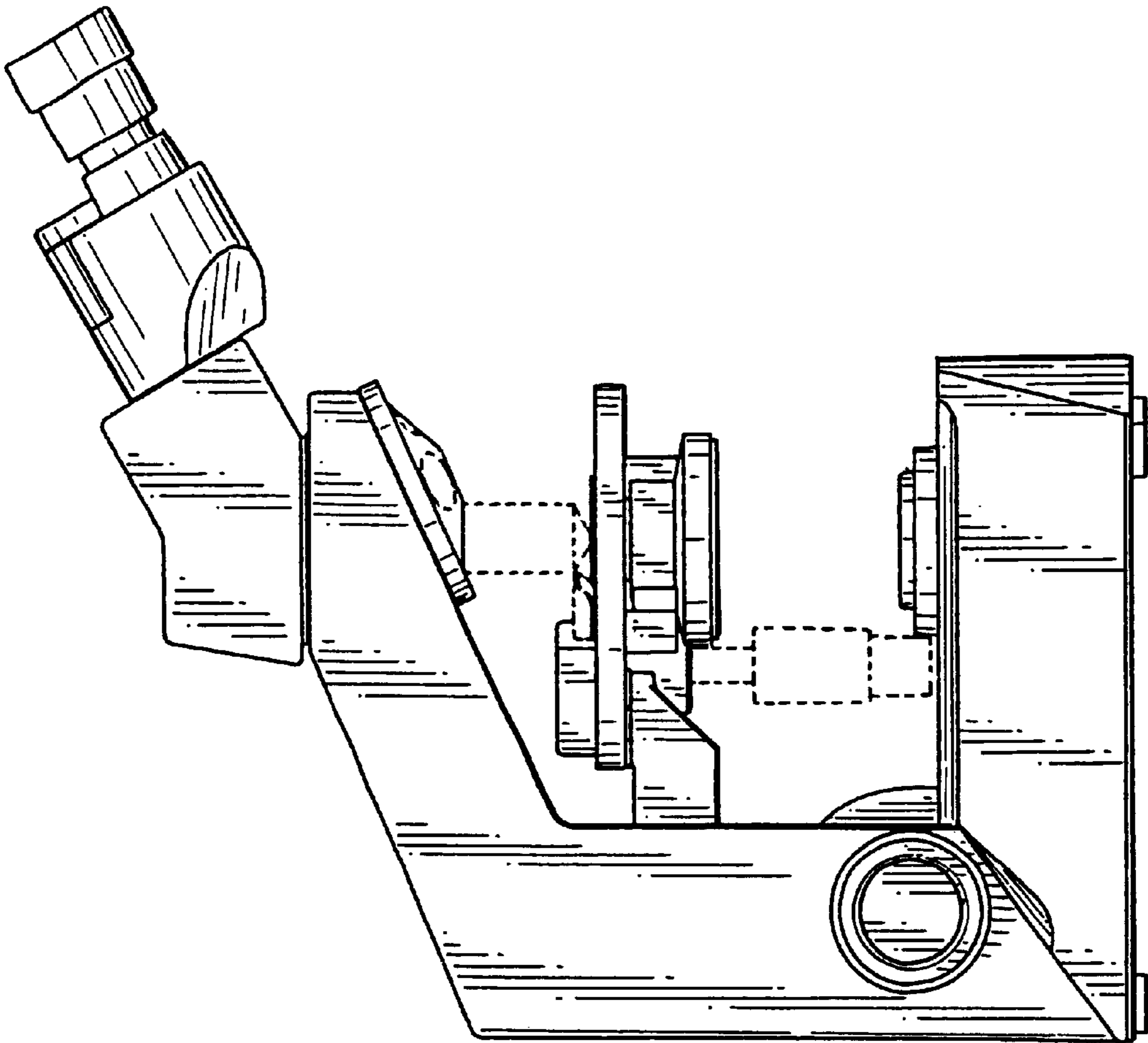


FIG. 6

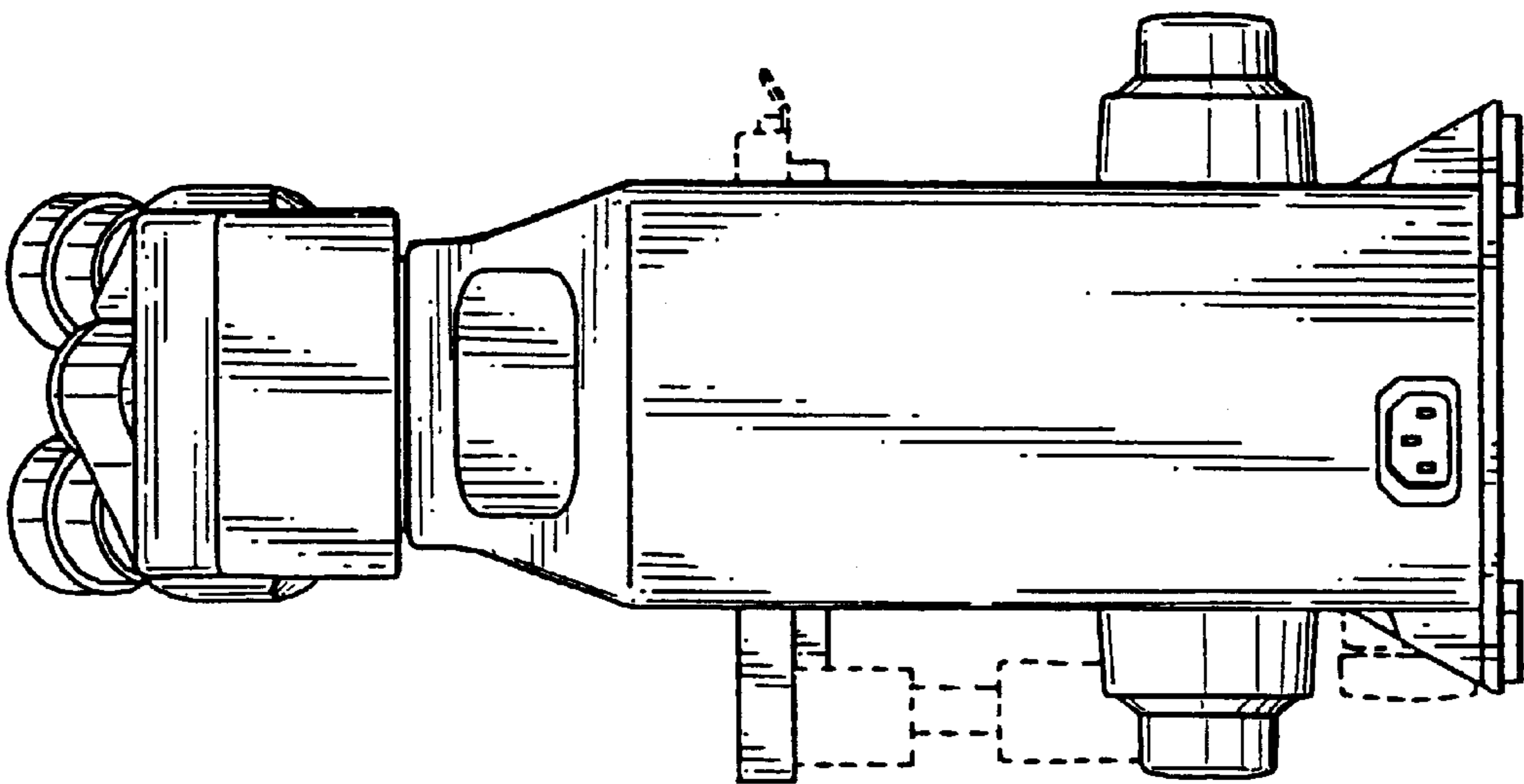


FIG. 5

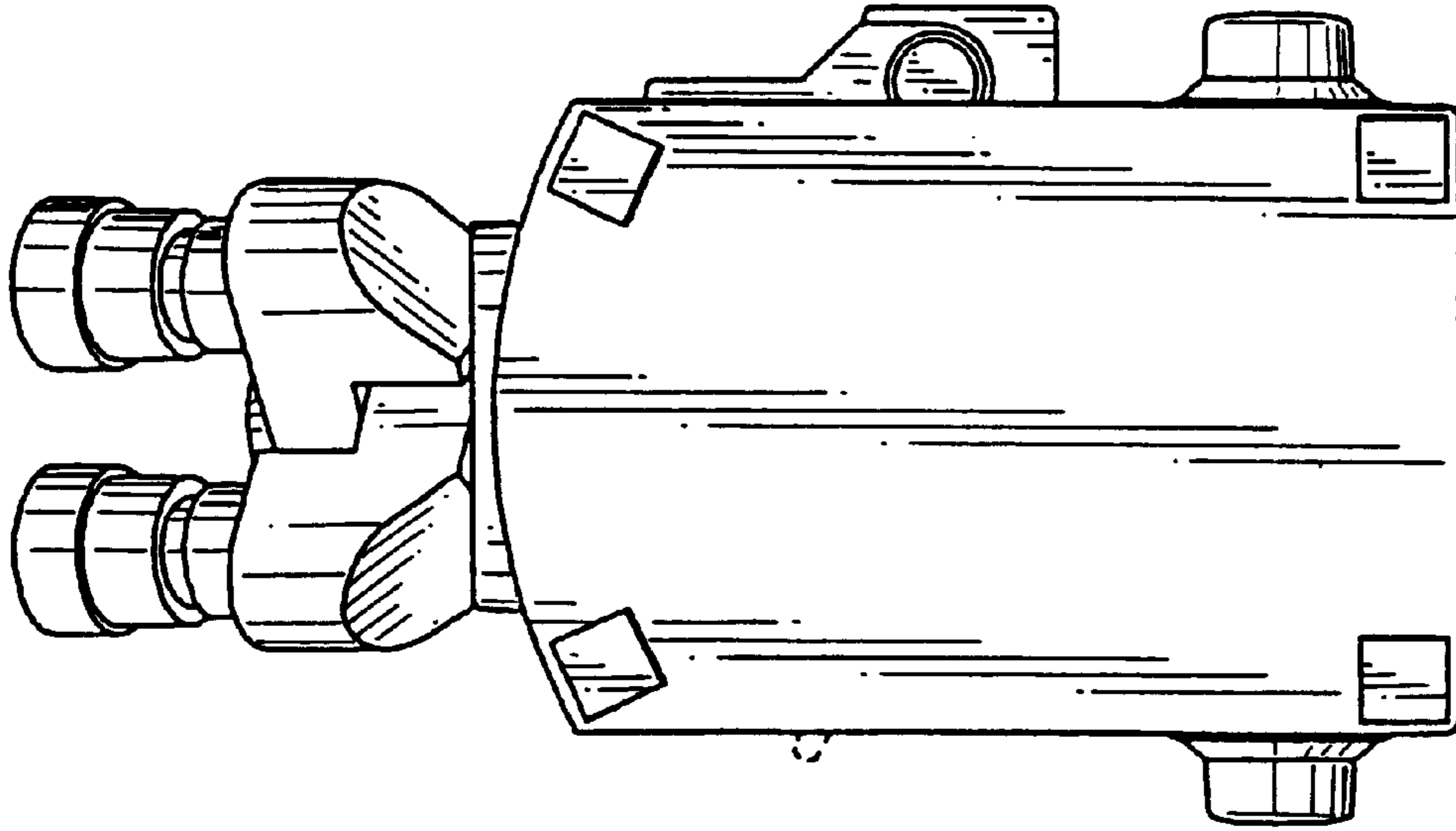


FIG. 8

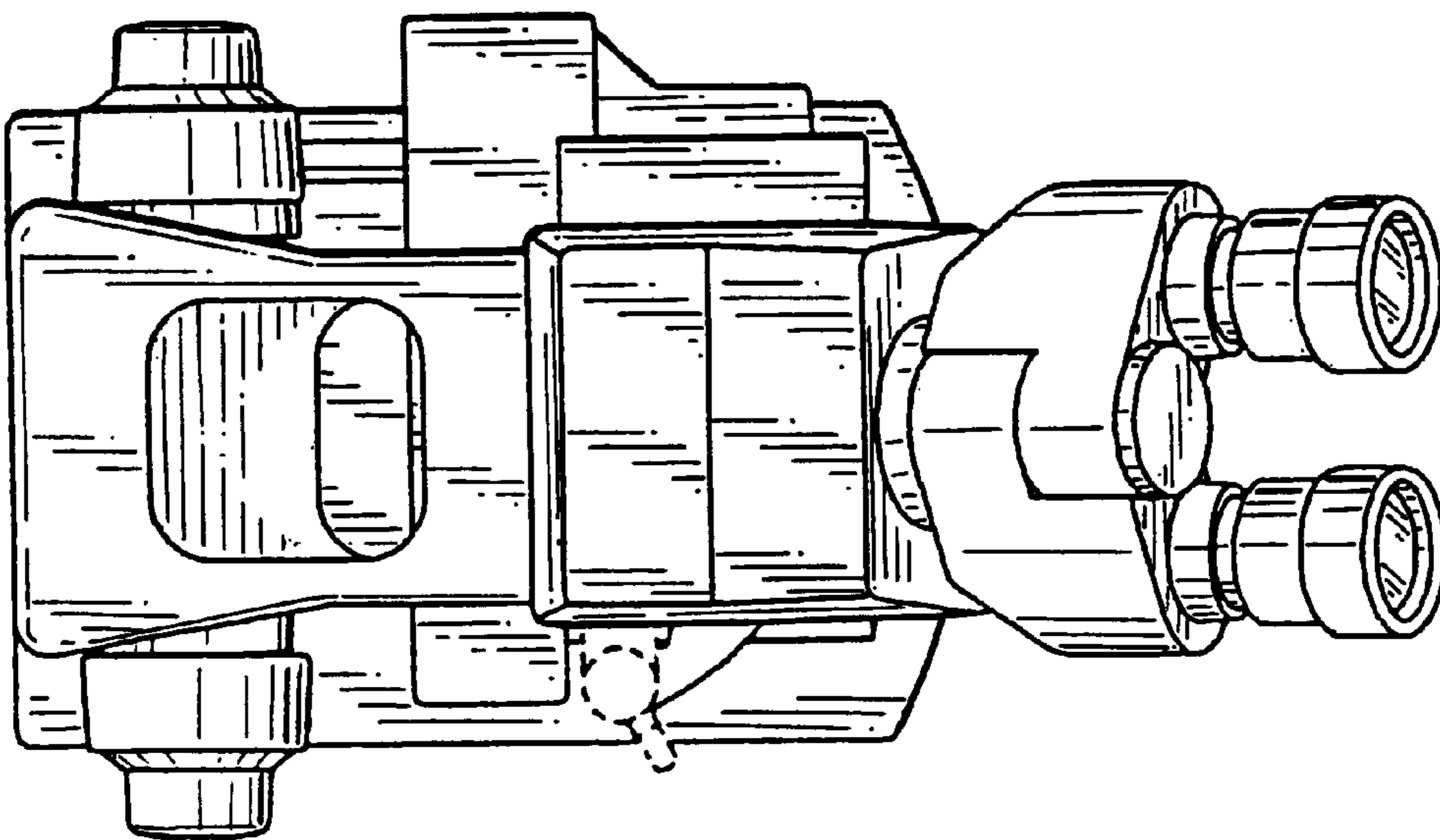


FIG. 7