



US00D477006S

(12) **United States Design Patent**
Taoka

(10) **Patent No.:** **US D477,006 S**

(45) **Date of Patent:** **** Jul. 8, 2003**

(54) **GEAR HOUSING ASSEMBLY (REDUCER),
GEAR HOUSING ASSEMBLY (REDUCER)
WITH A MOTOR**

Primary Examiner—Antoine Duval Davis
(74) *Attorney, Agent, or Firm*—Arent Fox Kintner Plotkin
& Kahn

(75) **Inventor:** **Hiroshi Taoka, Kanagawa (JP)**

(57) **CLAIM**

(73) **Assignee:** **Sumitomo Heavy Industries, Ltd.,
Tokyo (JP)**

The ornamental design for a gear housing assembly
(reducer), gear housing assembly (reducer) with a motor, as
shown and described.

(**) **Term:** **14 Years**

DESCRIPTION

(21) **Appl. No.:** **29/161,324**

FIG. 1 is a front view of a first embodiment showing my new
design configured as a plain gear housing assembly;
FIG. 2 is a top plan view thereof;
FIG. 3 is a left side view thereof;
FIG. 4 is a right side view thereof;
FIG. 5 is a bottom view thereof;
FIG. 6 is a rear view thereof;
FIG. 7 is a front perspective view thereof;
FIG. 8 is a rear perspective view thereof;
FIG. 9 is a front view of a second embodiment showing my
design configured solely as a gear housing assembly with the
output shaft shown in dotted line;
FIG. 10 is a top plan view thereof;
FIG. 11 is a left side view thereof;
FIG. 12 is a right side view thereof;
FIG. 13 is a bottom view thereof;
FIG. 14 is a rear view thereof;
FIG. 15 is a front perspective view thereof; and,
FIG. 16 is a rear perspective thereof.
The items shown in dotted line in the various views of the
Figures do not form a part of my inventive design and are not
claimed herein.

(22) **Filed:** **May 29, 2002**

(51) **LOC (7) Cl.** **15-09**

(52) **U.S. Cl.** **D15/149**

(58) **Field of Search** D15/149; 184/109;
74/413, 421 A, 421 R, 606 R, 425, 424.75,
424.89, 464

(56) **References Cited**

U.S. PATENT DOCUMENTS

3,788,426	A	*	1/1974	Hull	184/109
4,023,433	A	*	5/1977	Schutz	74/425
4,825,727	A	*	5/1989	Komuro	74/606 R
D346,612	S	*	5/1994	Wong	D15/148
6,032,550	A	*	3/2000	Rugh	74/425
D437,334	S	*	2/2001	Song	D15/148

FOREIGN PATENT DOCUMENTS

JP	859050	1/1993
JP	859090	1/1993

* cited by examiner

1 Claim, 8 Drawing Sheets

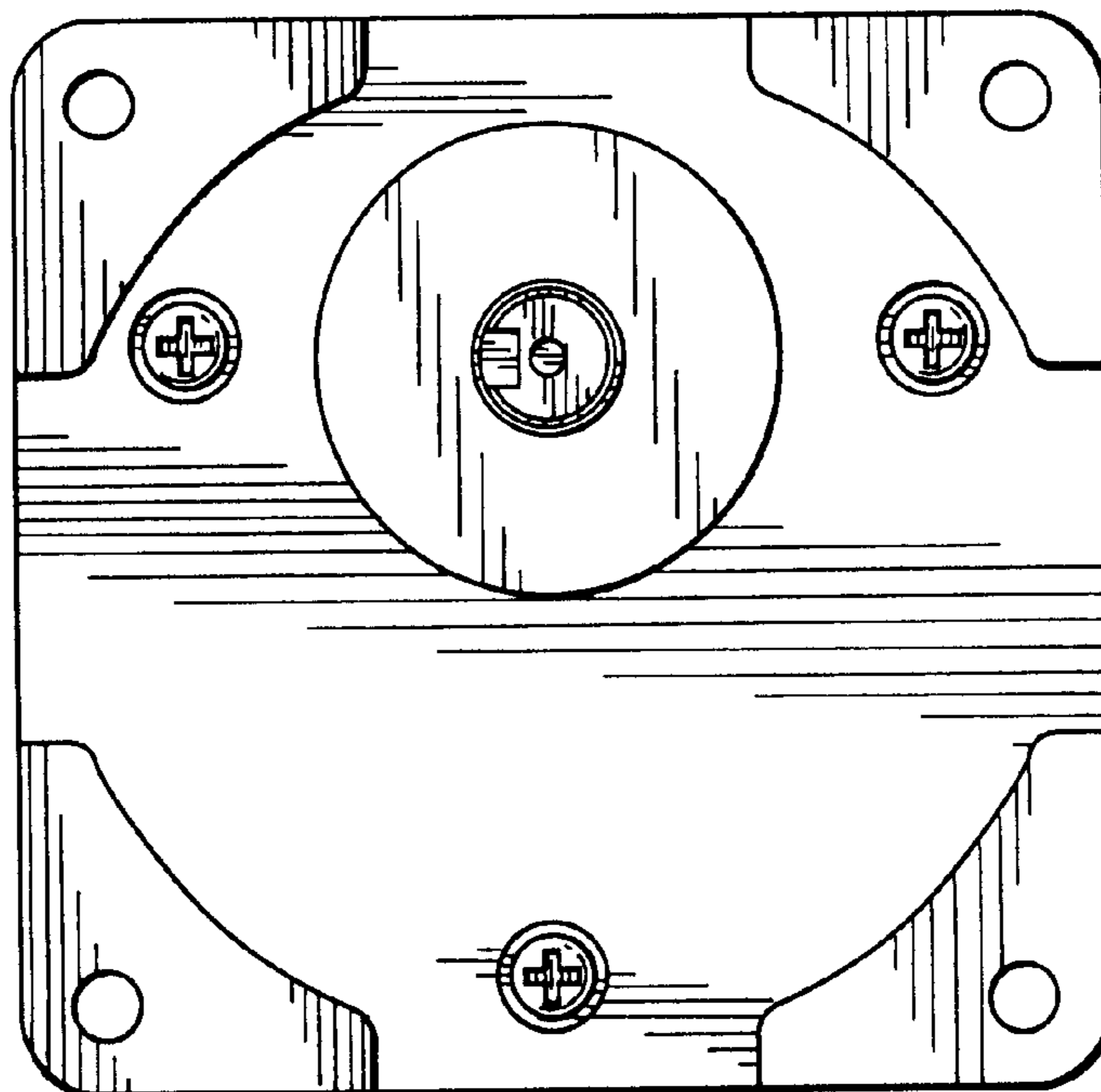


Fig.1

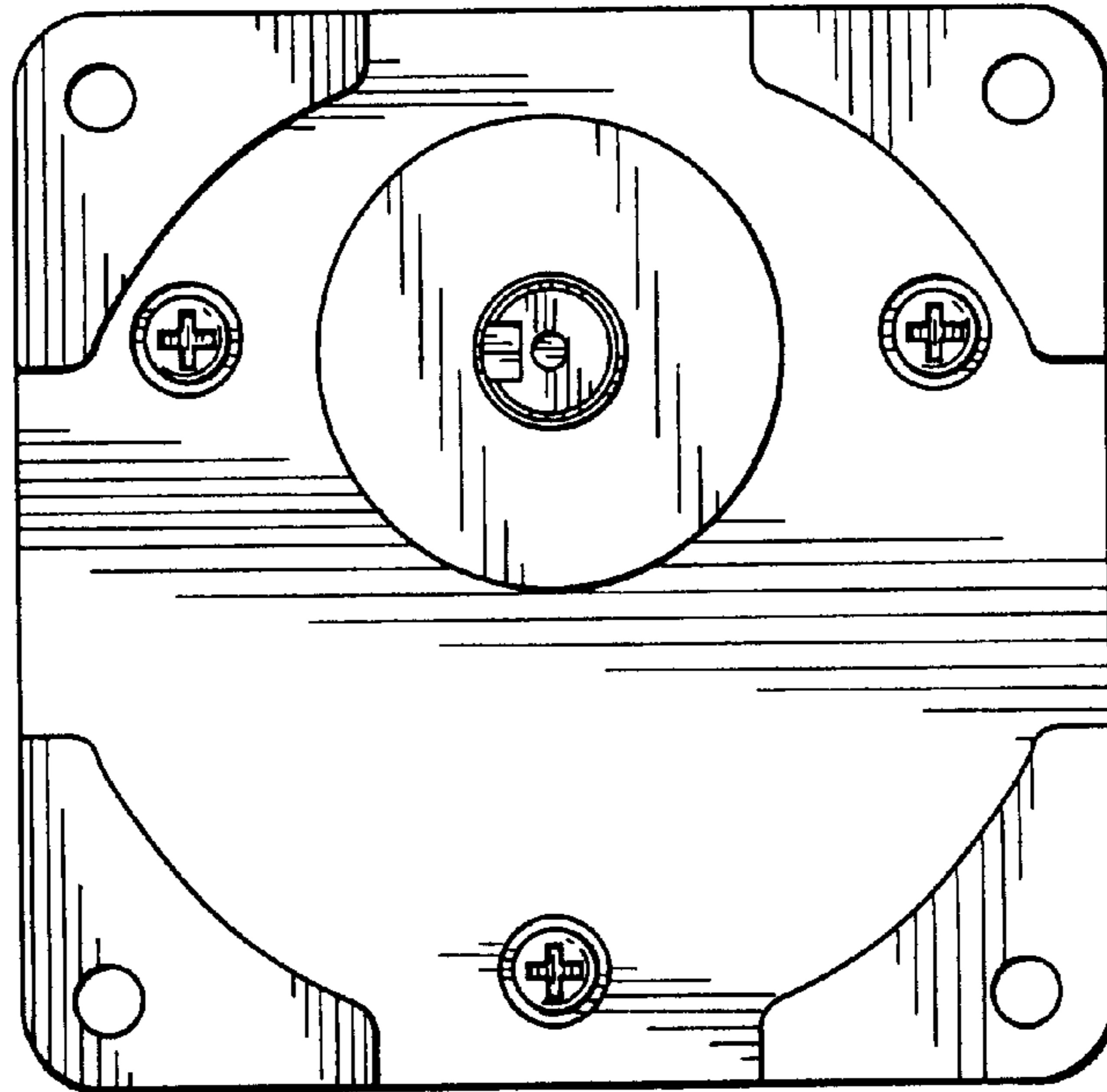


Fig.2

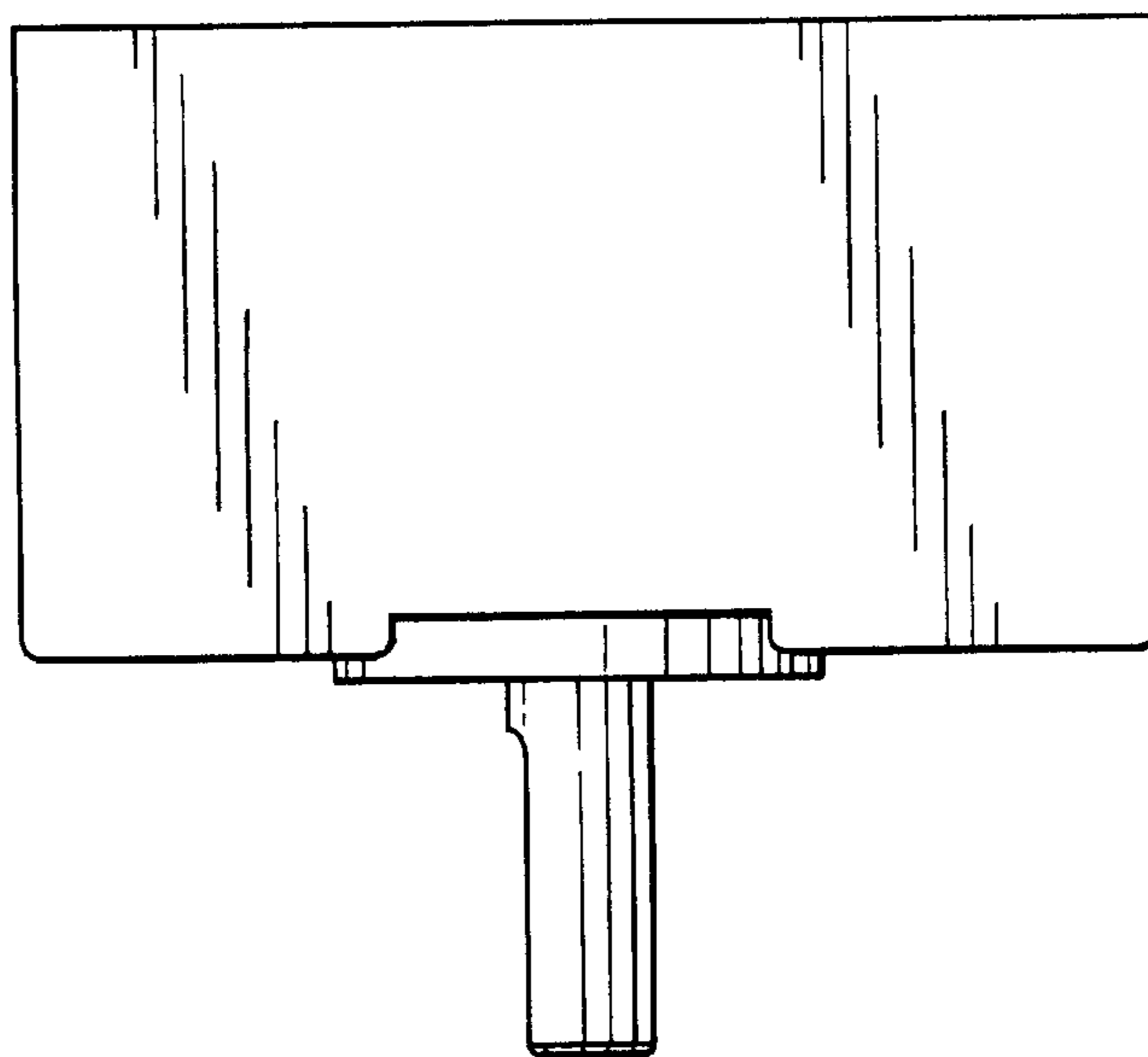


Fig.3

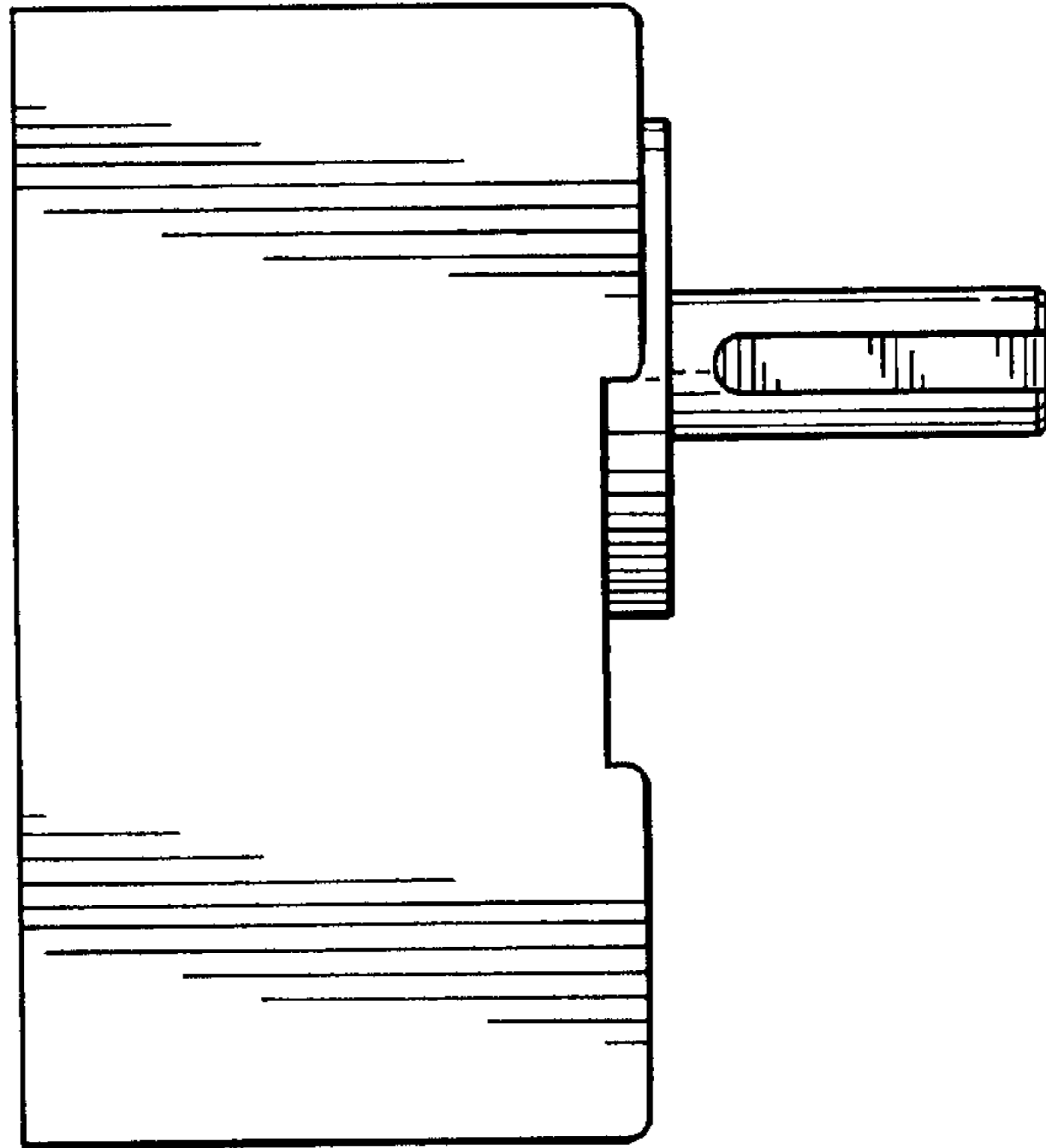


Fig.4

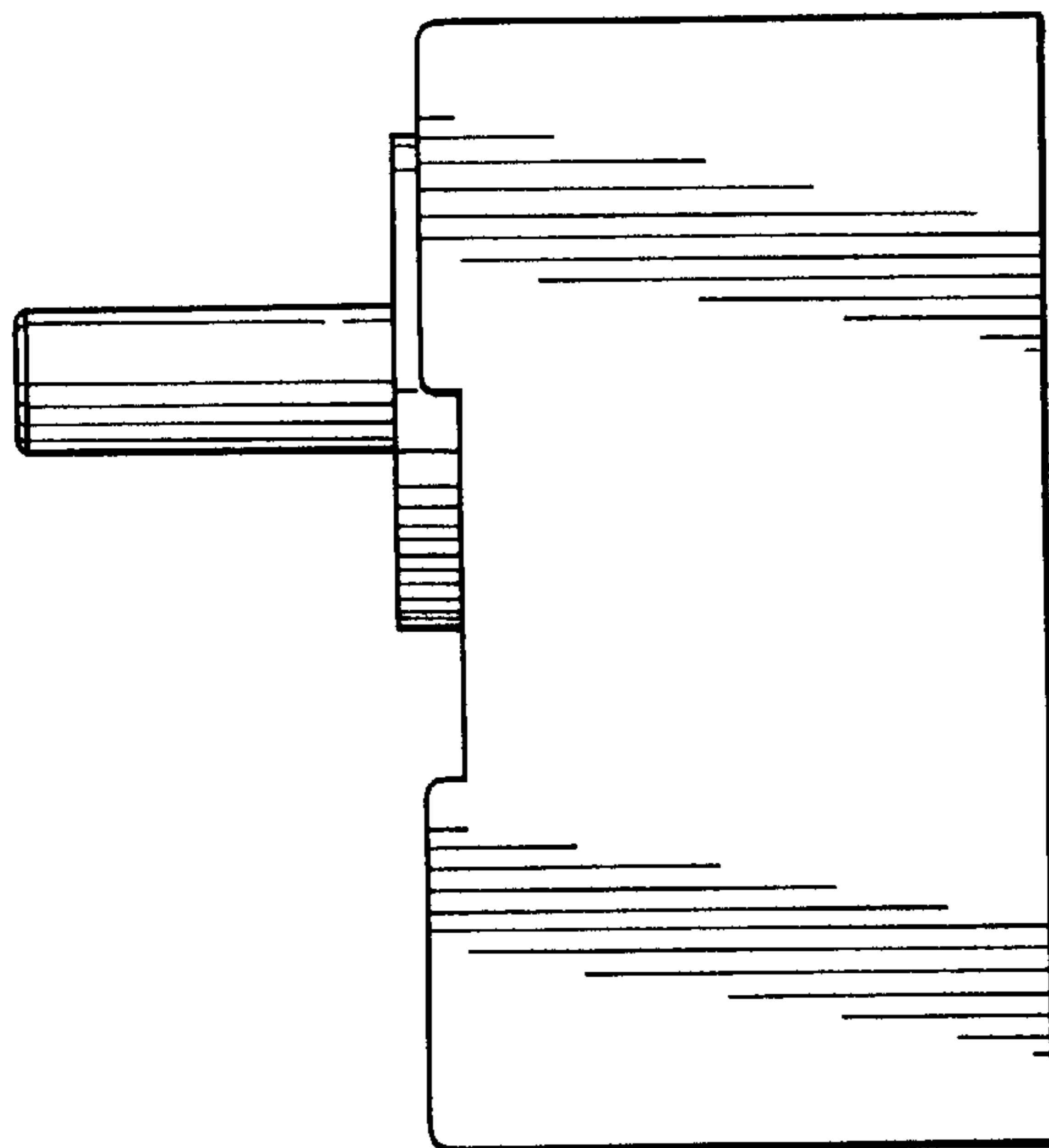


Fig.5

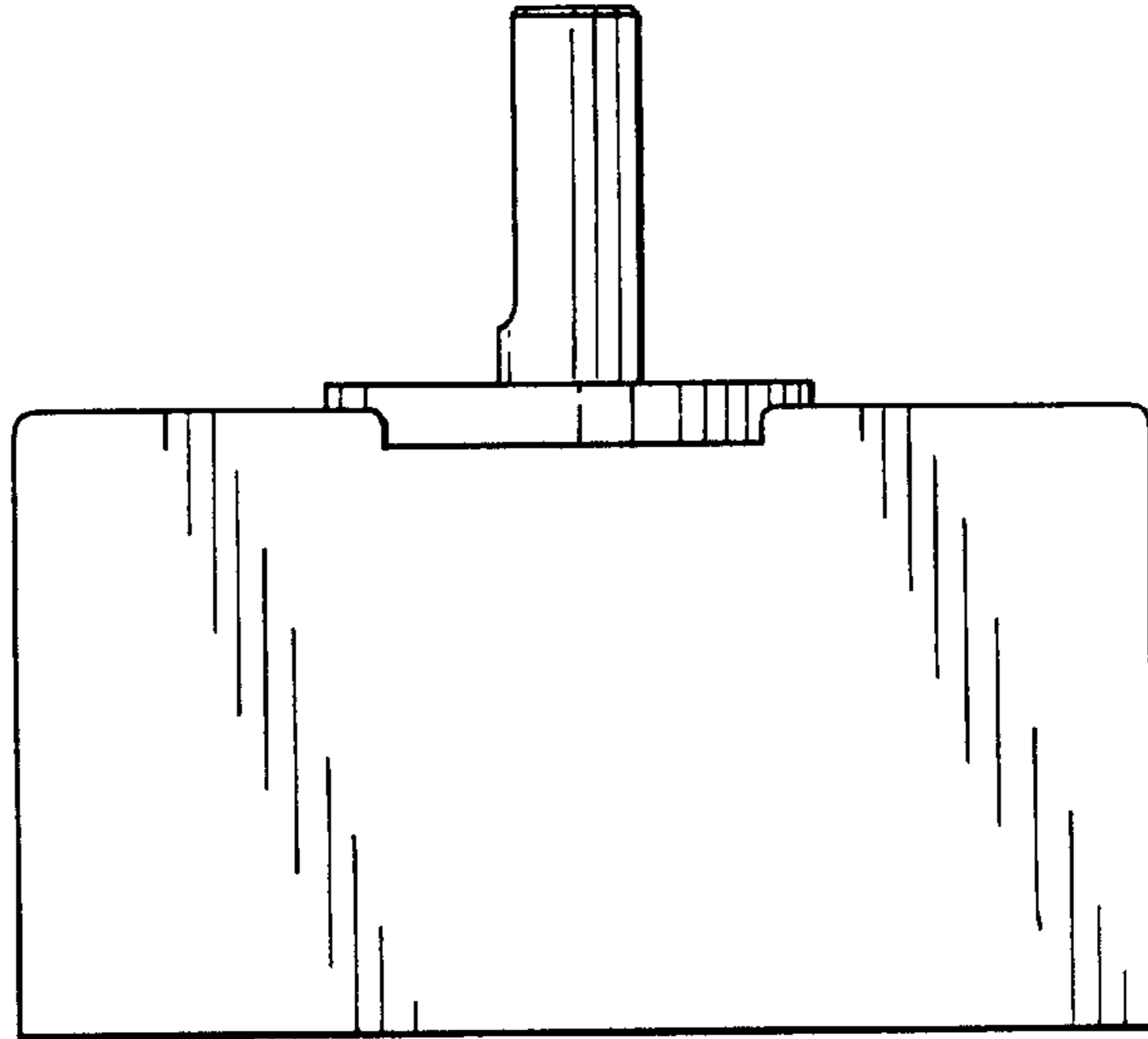


Fig.6

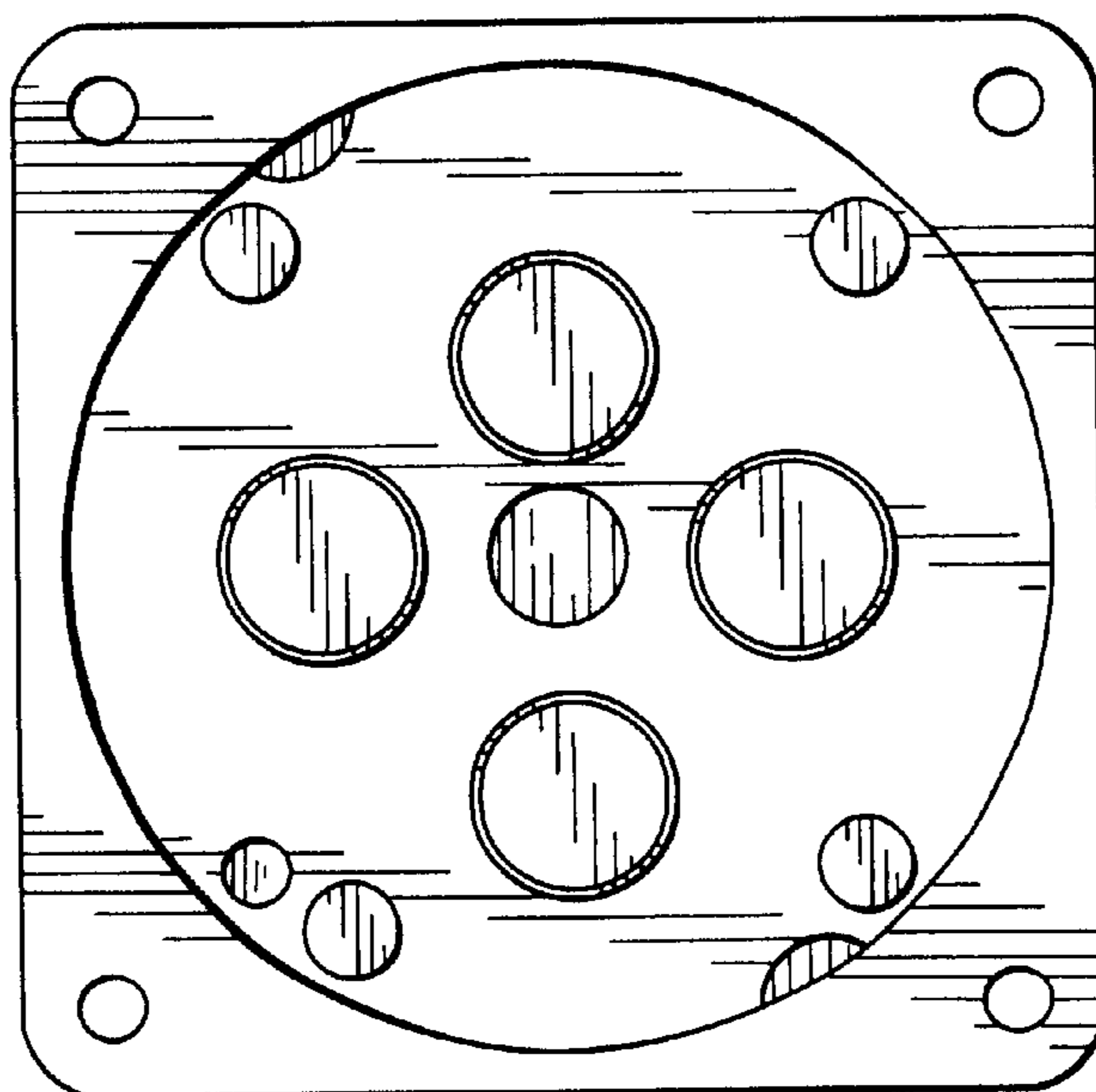


Fig.7

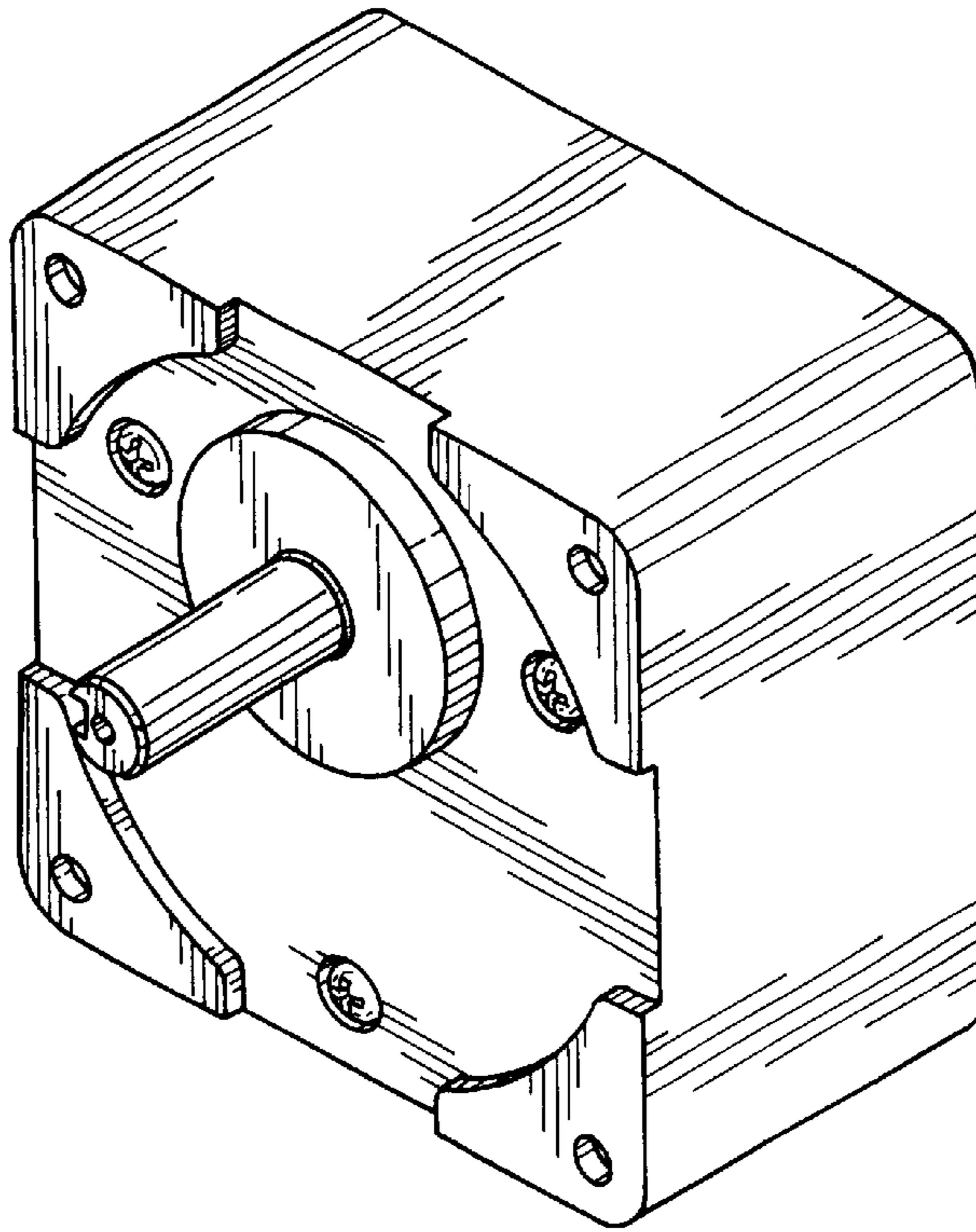


Fig.8

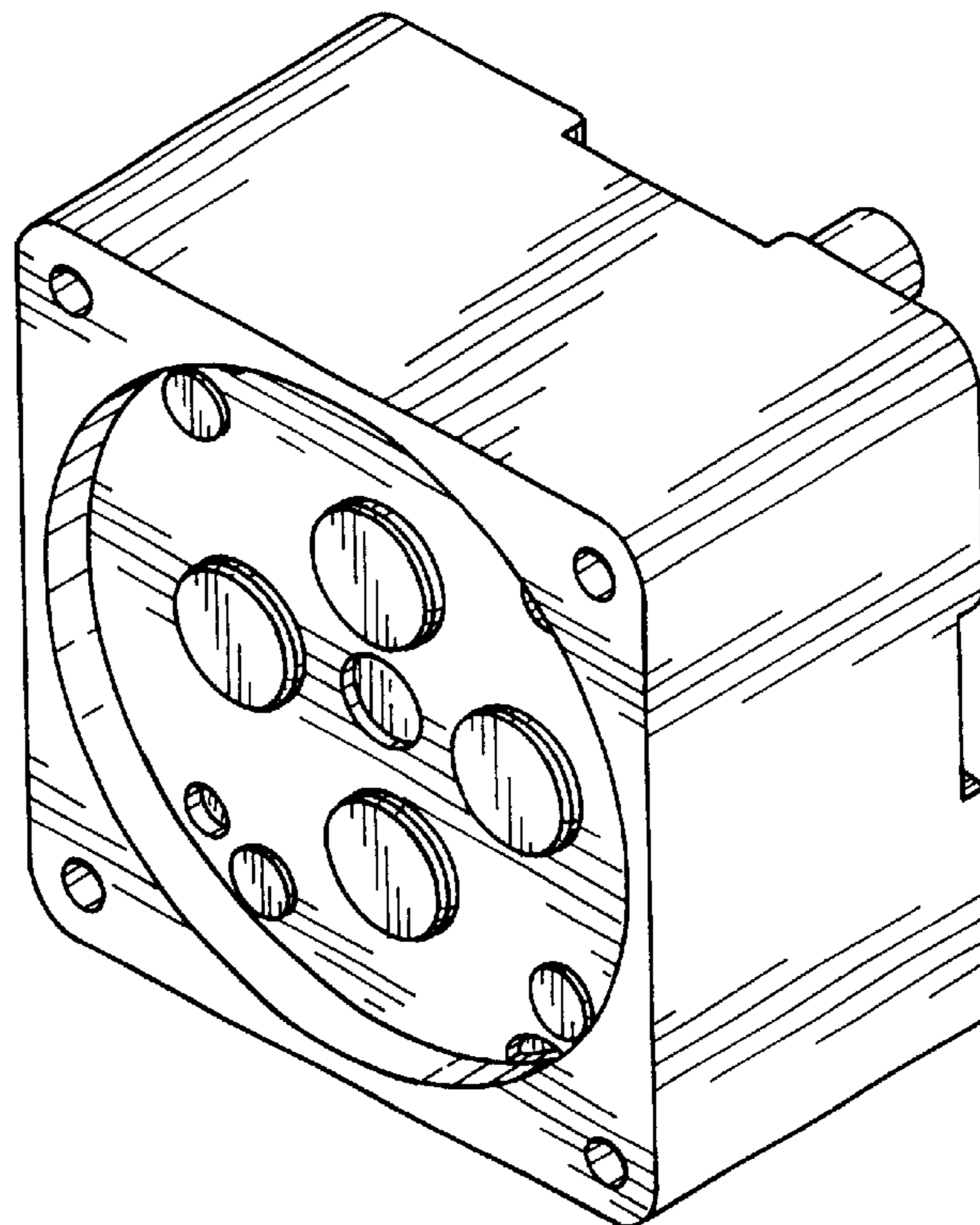


Fig.9

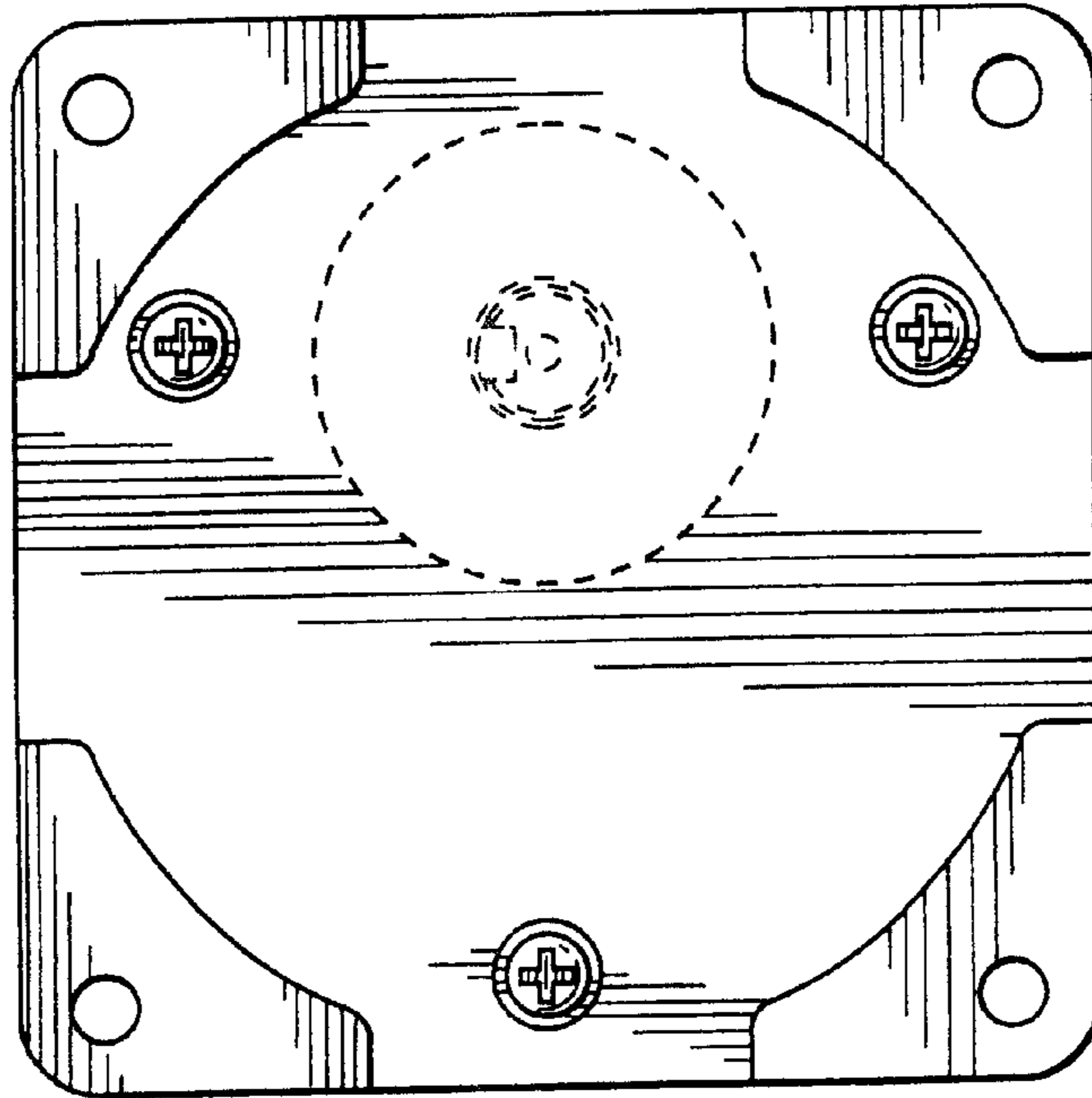


Fig.10

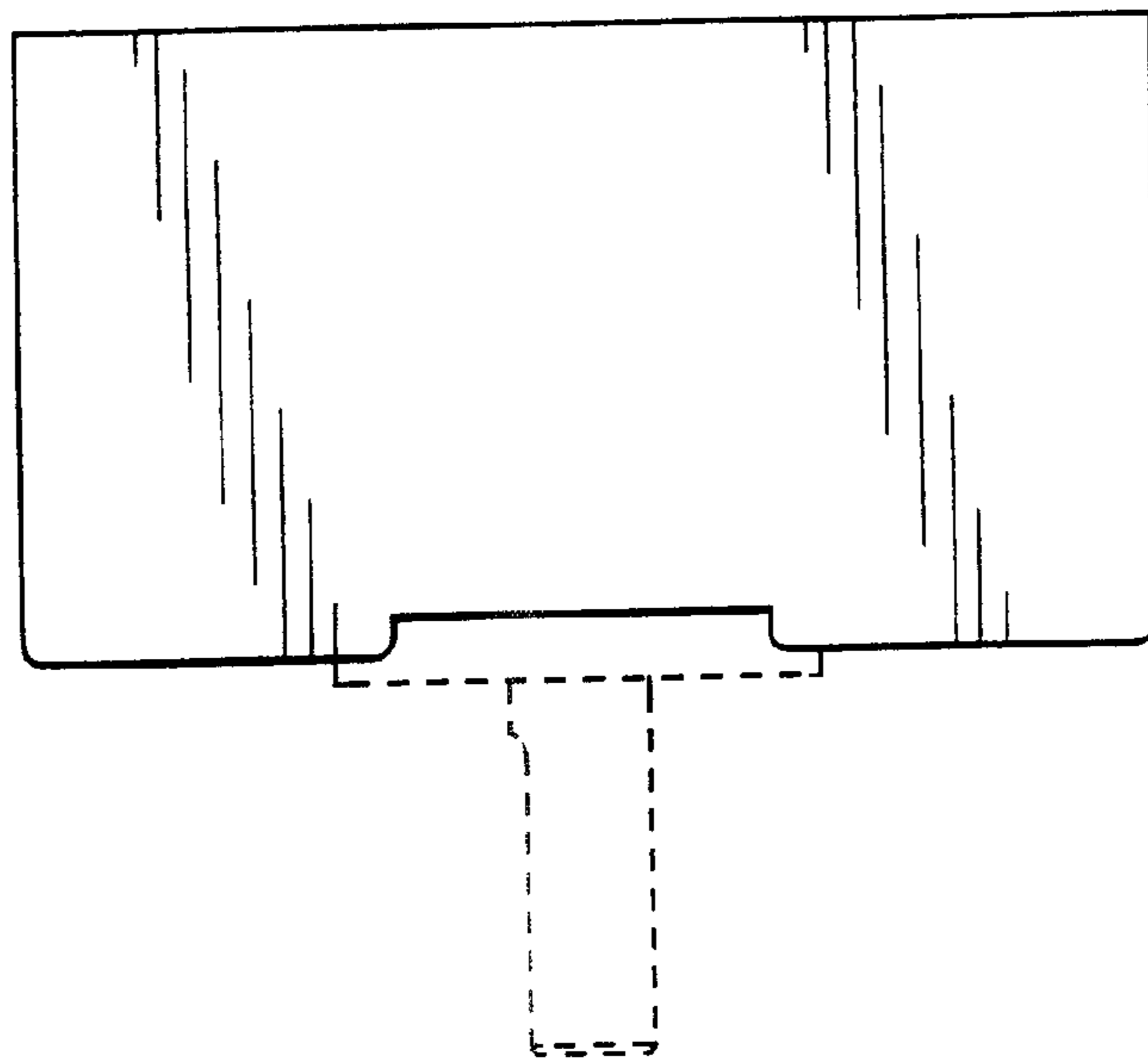


Fig. 11

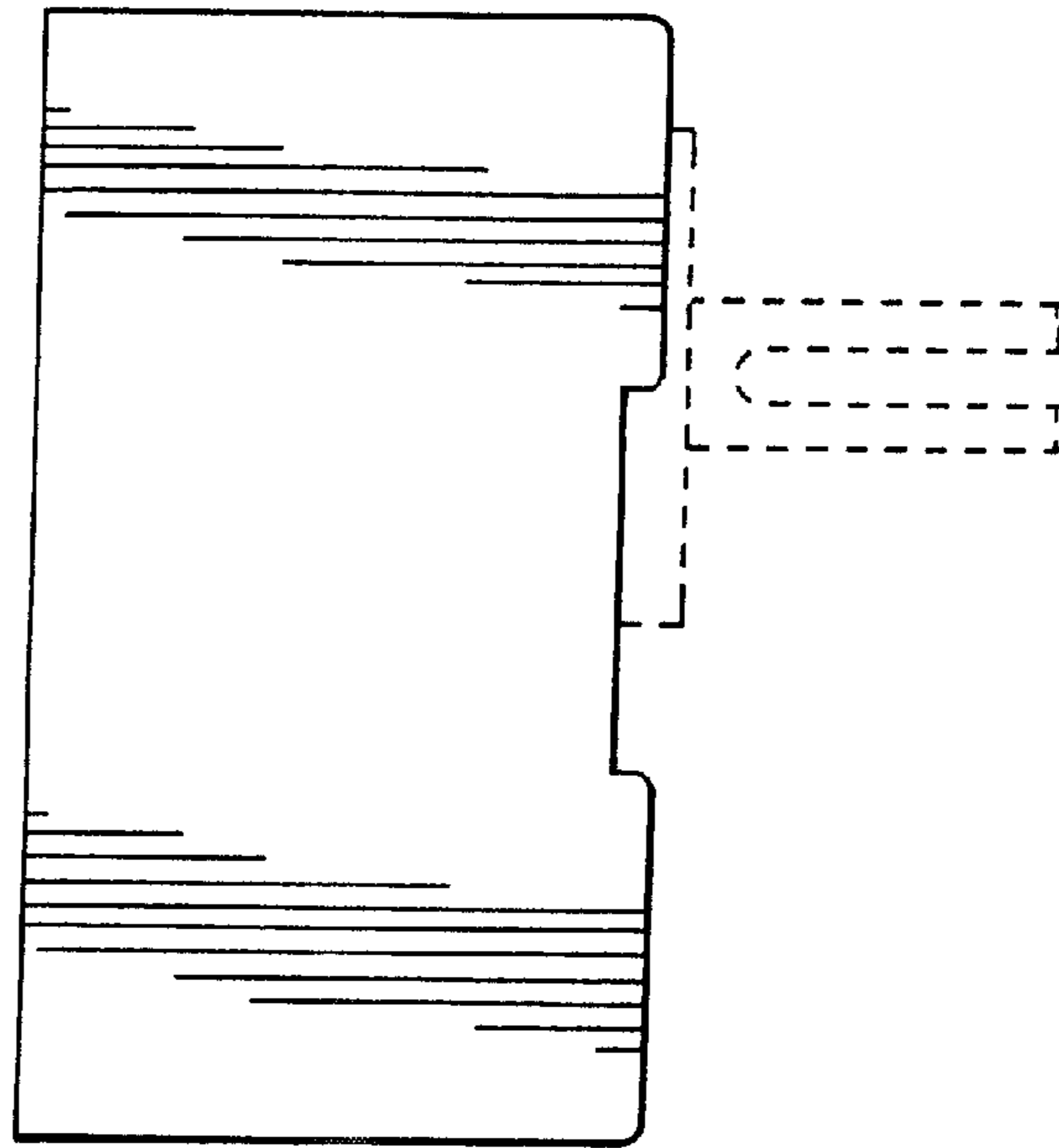


Fig. 12

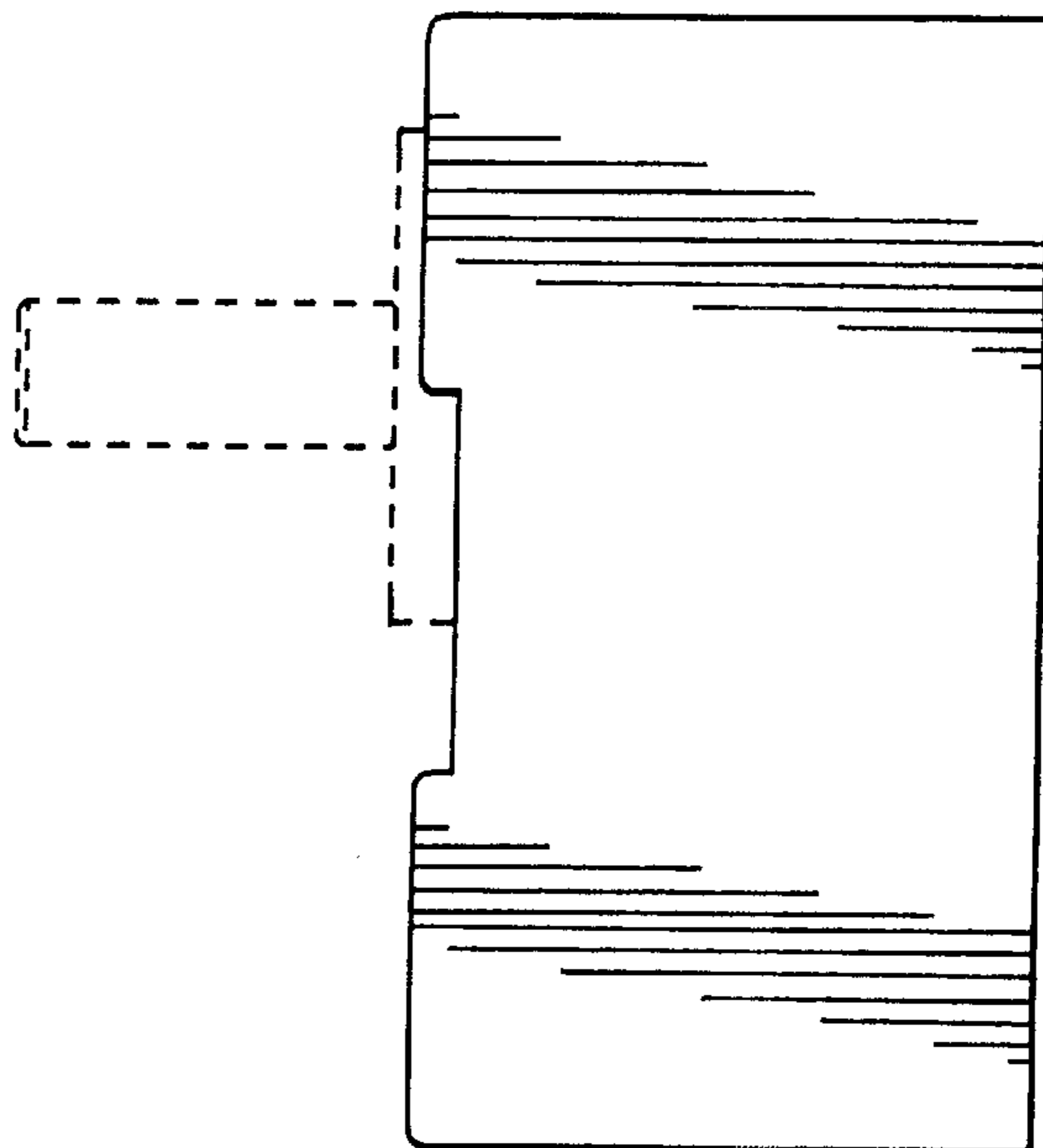


Fig.13

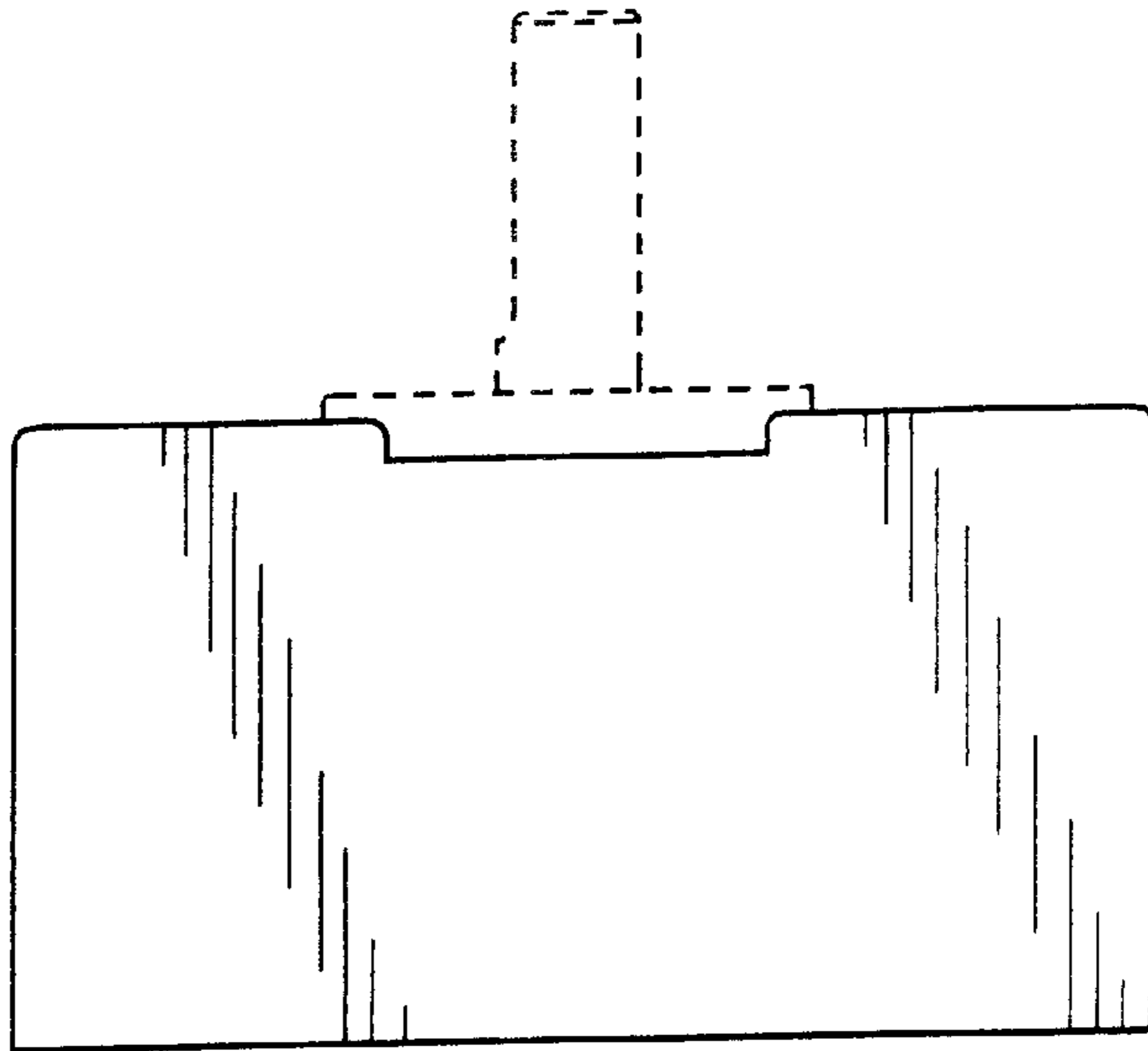


Fig.14

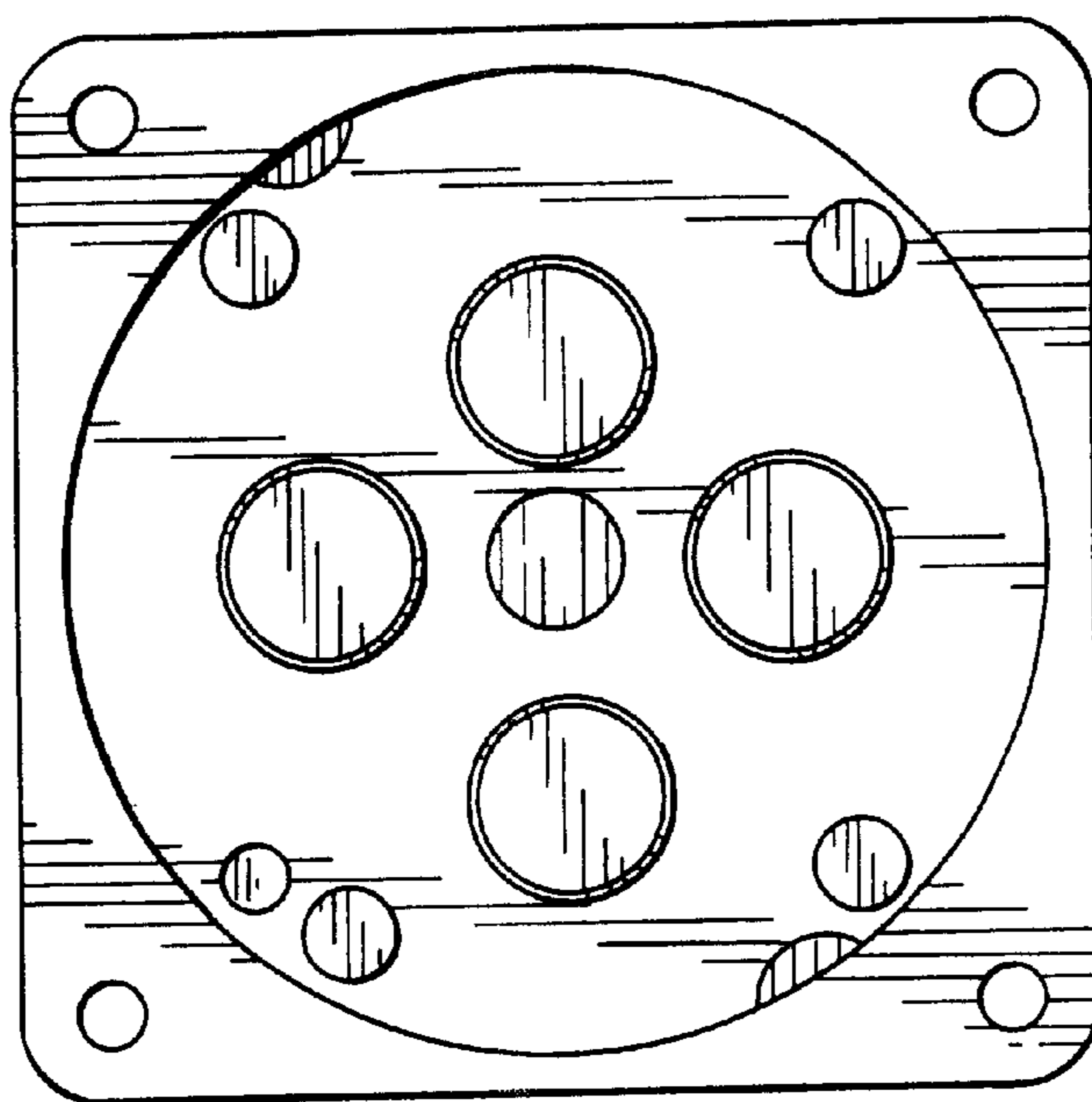


Fig.15

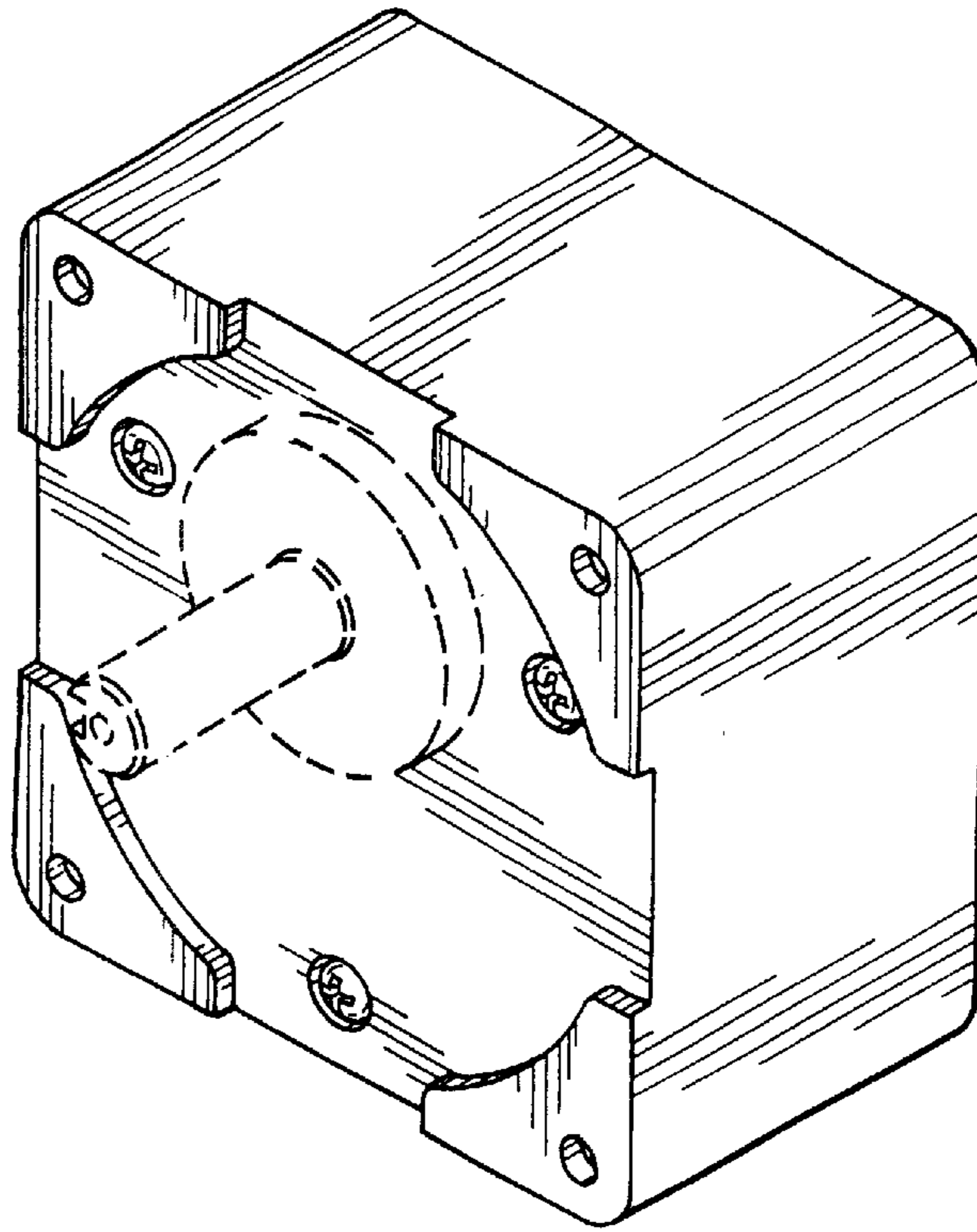


Fig.16

