



US00D477003S

(12) **United States Design Patent**  
**Muren et al.**

(10) **Patent No.:** **US D477,003 S**

(45) **Date of Patent:** **\*\* Jul. 8, 2003**

(54) **CUTTING INSERT**

4,856,942 A \* 8/1989 Bernadic et al. .... 407/114  
D345,984 S \* 4/1994 Ishikawa et al. .... D15/139

(75) Inventors: **Sture Muren**, Gävle (SE); **Fredrik Marell**, Gävle (SE)

\* cited by examiner

(73) Assignee: **Sandvik AB**, Sandviken (SE)

*Primary Examiner*—Antoine Duval Davis  
(74) *Attorney, Agent, or Firm*—Burns, Doane, Swecker & Mathis, L.L.P.

(\*\*) Term: **14 Years**

(21) Appl. No.: **29/164,471**

(57) **CLAIM**

(22) Filed: **Jul. 26, 2002**

The ornamental design for a cutting insert, as shown and described.

(30) **Foreign Application Priority Data**

**DESCRIPTION**

Jan. 29, 2002 (SE) ..... 02-0159

FIG. 1 is a front, side perspective view of a cutting insert showing our new design.

(51) **LOC (7) Cl.** ..... **15-09**

FIG. 2 is a right side elevational view thereof.

(52) **U.S. Cl.** ..... **D15/139**

FIG. 3 is a left side elevational view thereof.

(58) **Field of Search** ..... D15/139; 407/113-118

FIG. 4 is a rear elevational view thereof.

(56) **References Cited**

FIG. 5 is a front elevational view thereof.

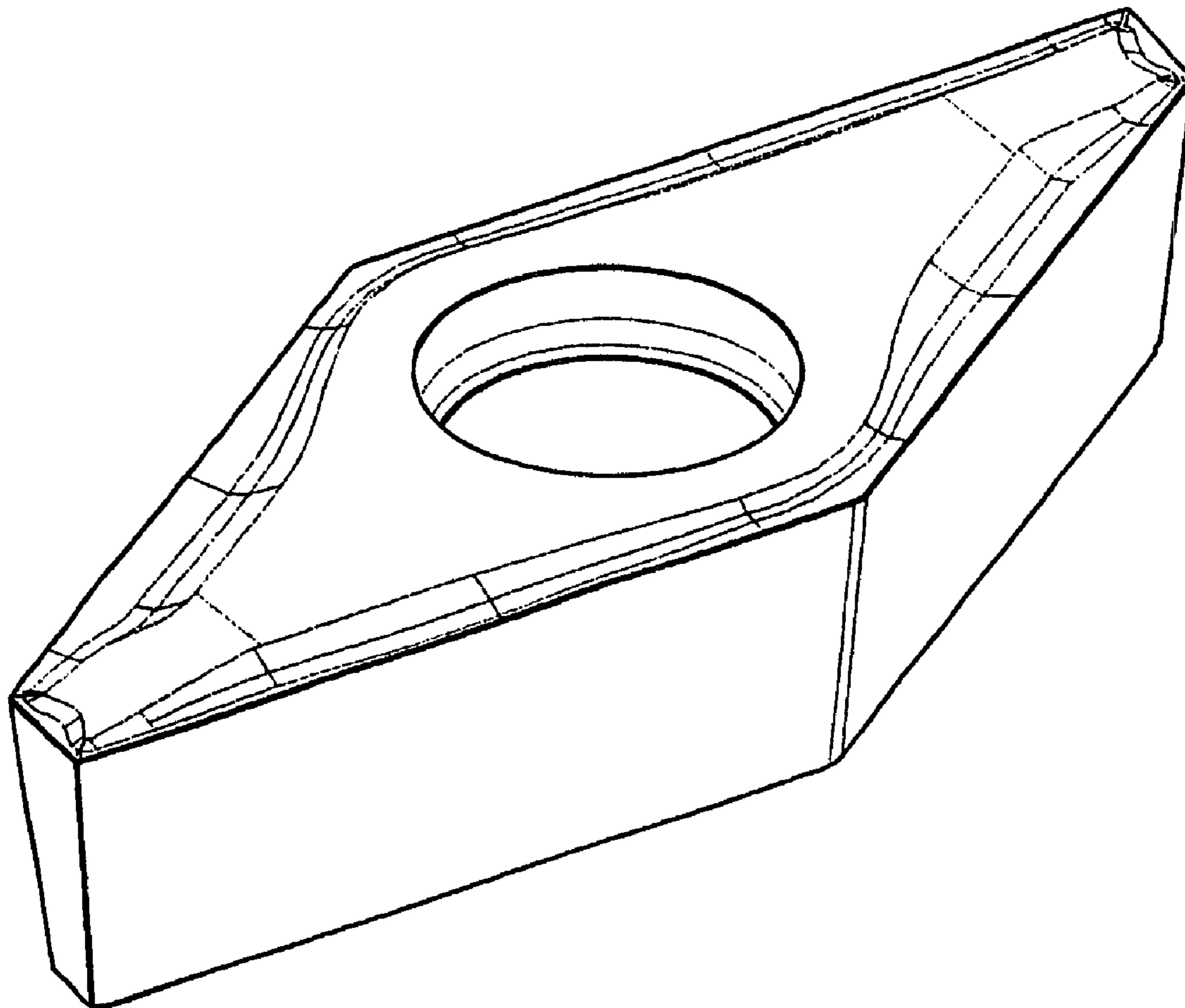
**U.S. PATENT DOCUMENTS**

FIG. 6 is a top plan view thereof; and,

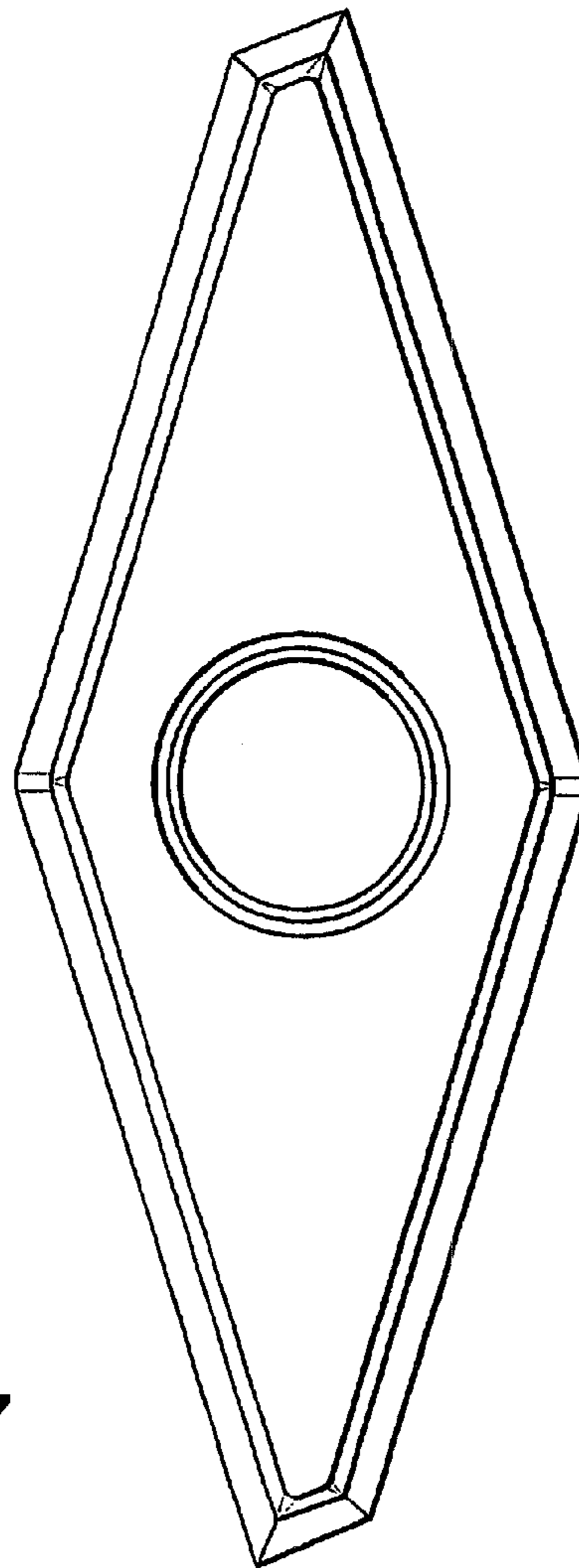
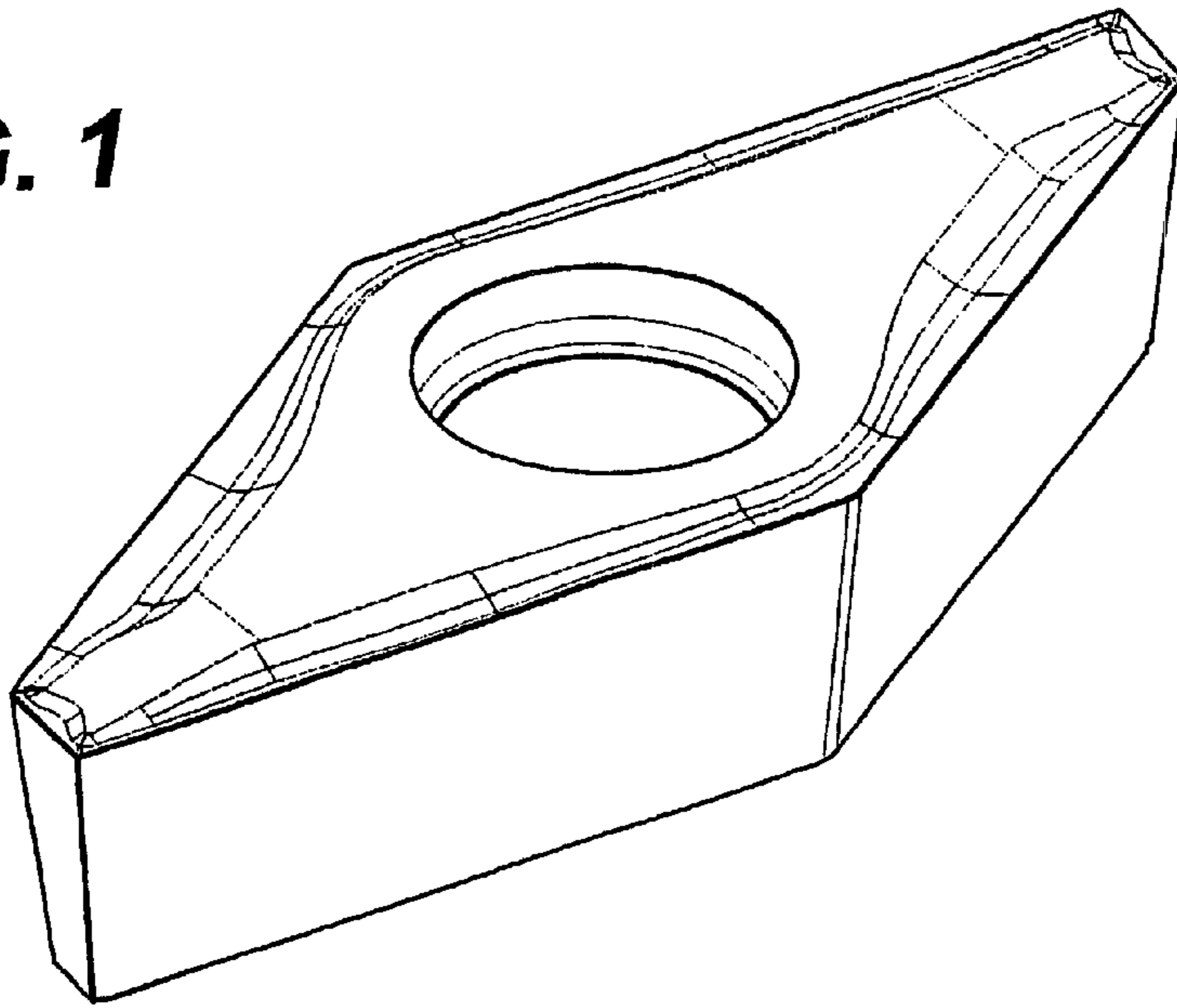
4,367,990 A \* 1/1983 Porat et al. .... 407/114

FIG. 7 is a bottom plan view thereof.

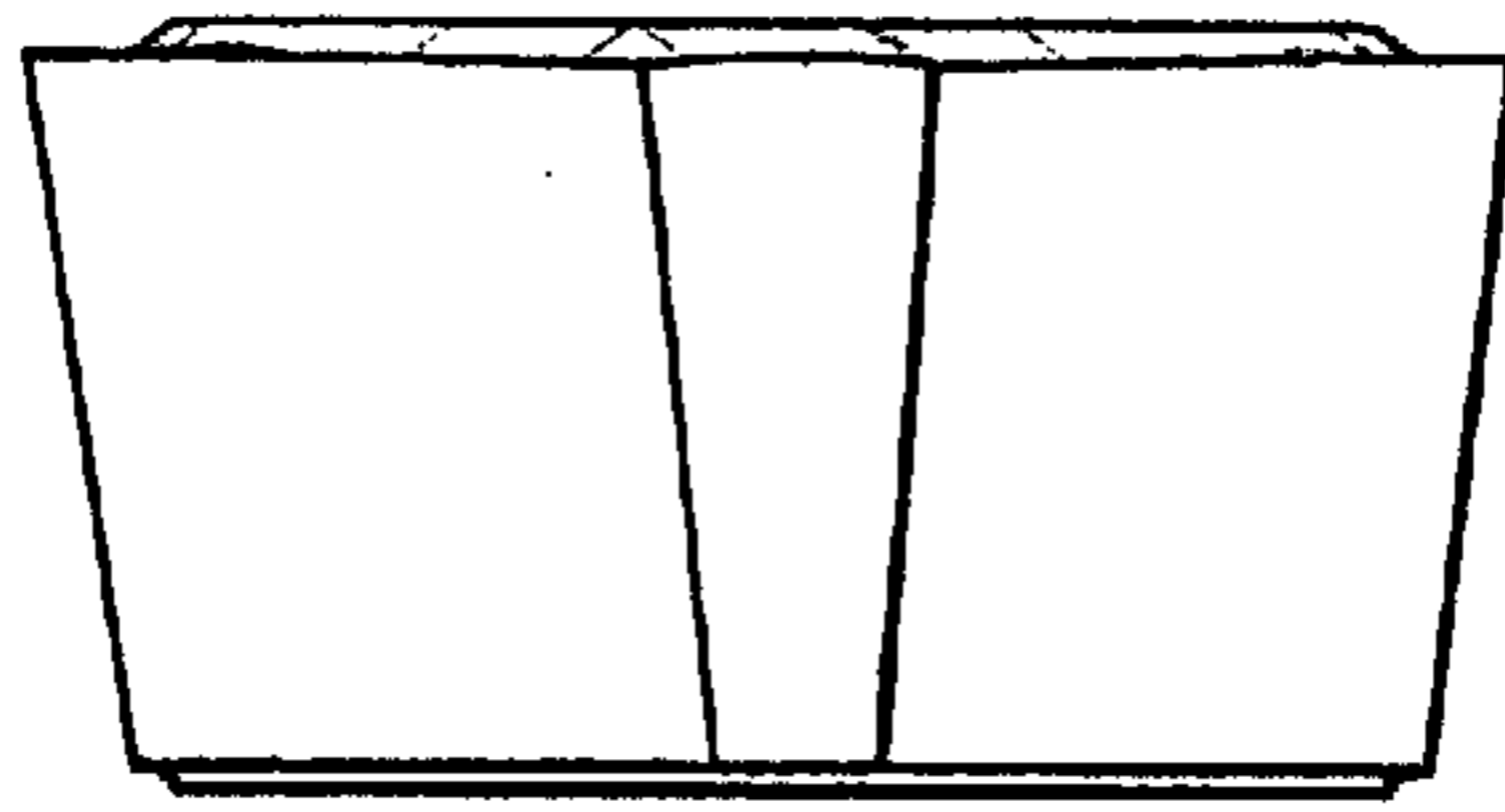
**1 Claim, 2 Drawing Sheets**



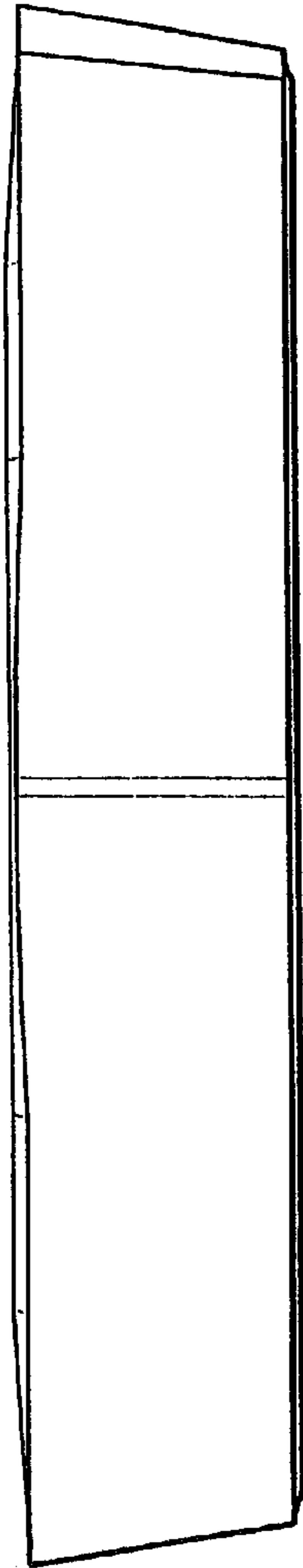
**FIG. 1**



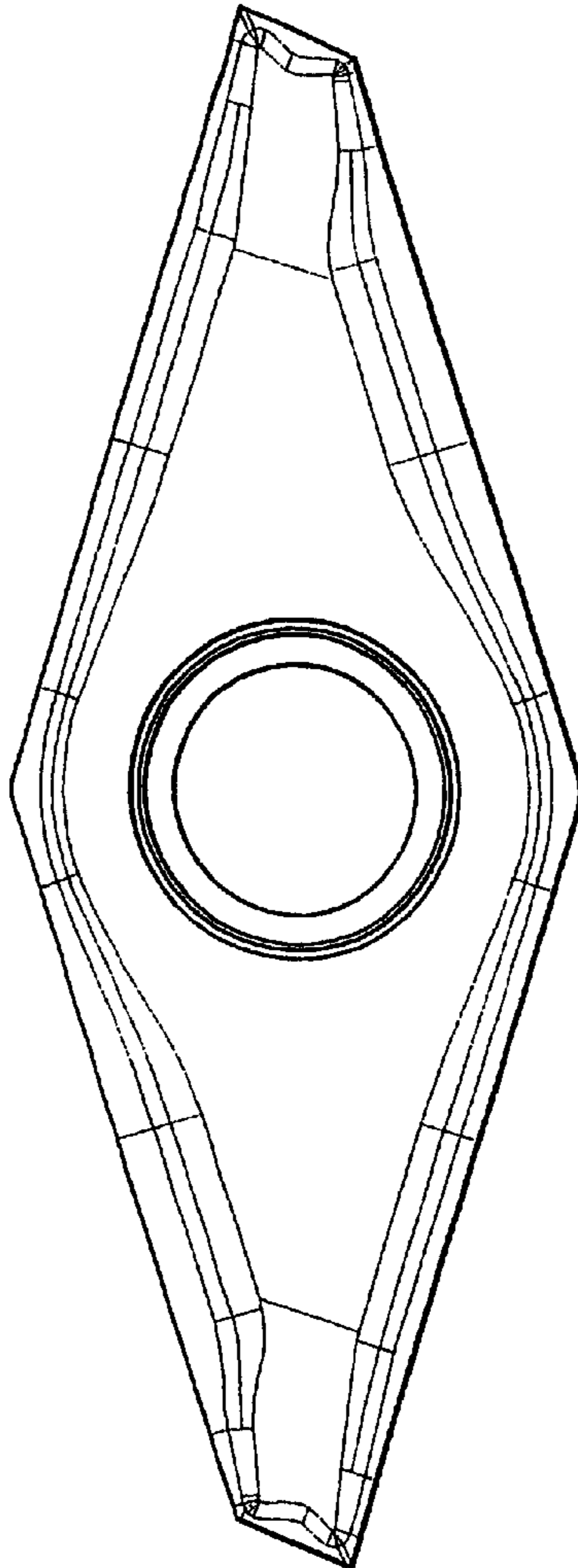
**FIG. 7**



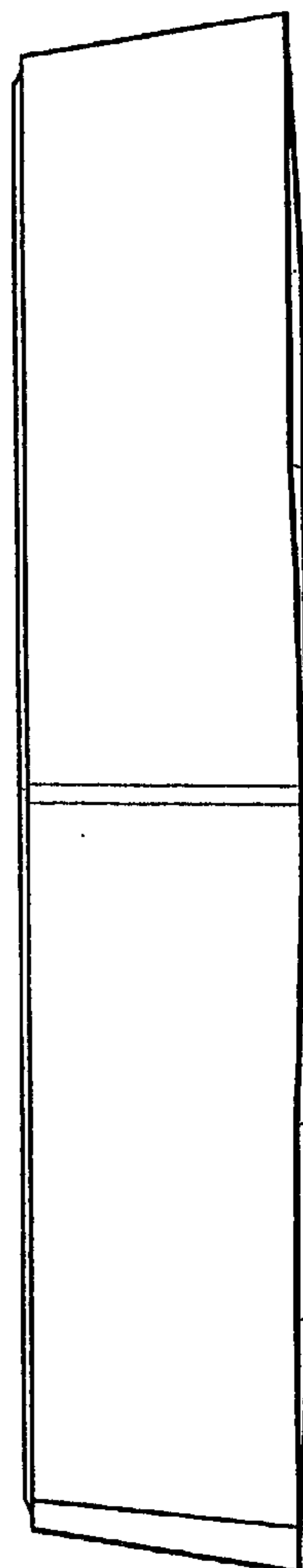
**FIG. 4**



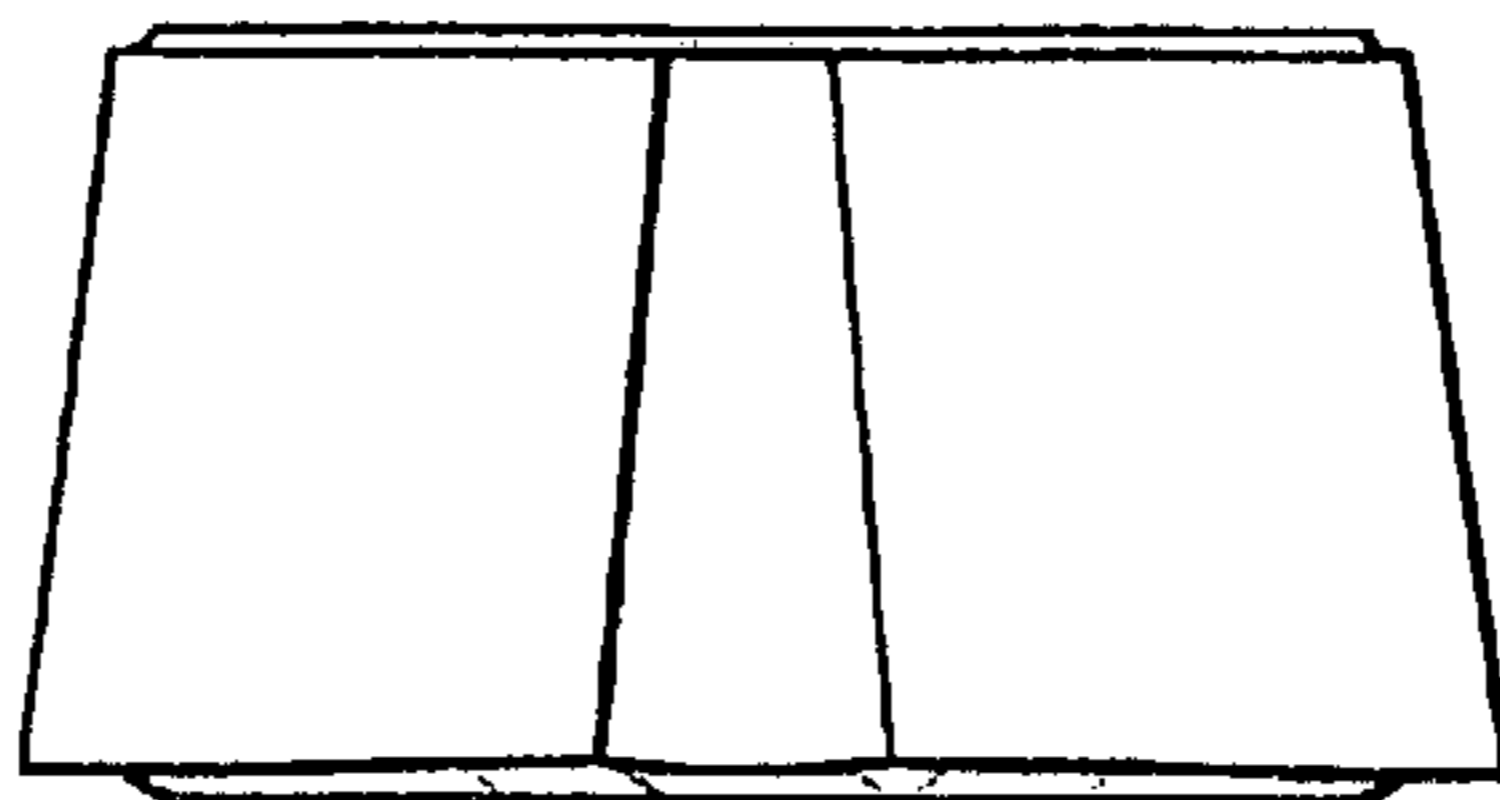
**FIG. 2**



**FIG. 6**



**FIG. 3**



**FIG. 5**