



US00D477002S

(12) **United States Design Patent**
Wang

(10) **Patent No.:** **US D477,002 S**

(45) **Date of Patent:** **** Jul. 8, 2003**

(54) **PLANER**

D460,089 S * 7/2002 Garcia et al. D15/124

(76) Inventor: **Chin-Feng Wang**, 11F-2, No.43, Chai-I Street, Taichung City (TW)

* cited by examiner

(**) Term: **14 Years**

Primary Examiner—Antoine Duval Davis
(74) *Attorney, Agent, or Firm*—Charles E. Baxley

(21) Appl. No.: **29/163,871**

(57) **CLAIM**

(22) Filed: **Jul. 15, 2002**

The ornamental design for a planer, as shown and described.

(51) **LOC (7) Cl.** **15-09**

DESCRIPTION

(52) **U.S. Cl.** **D15/127**

(58) **Field of Search** D15/124, 127;
144/177.1–177.4, 131; 451/296–301, 455

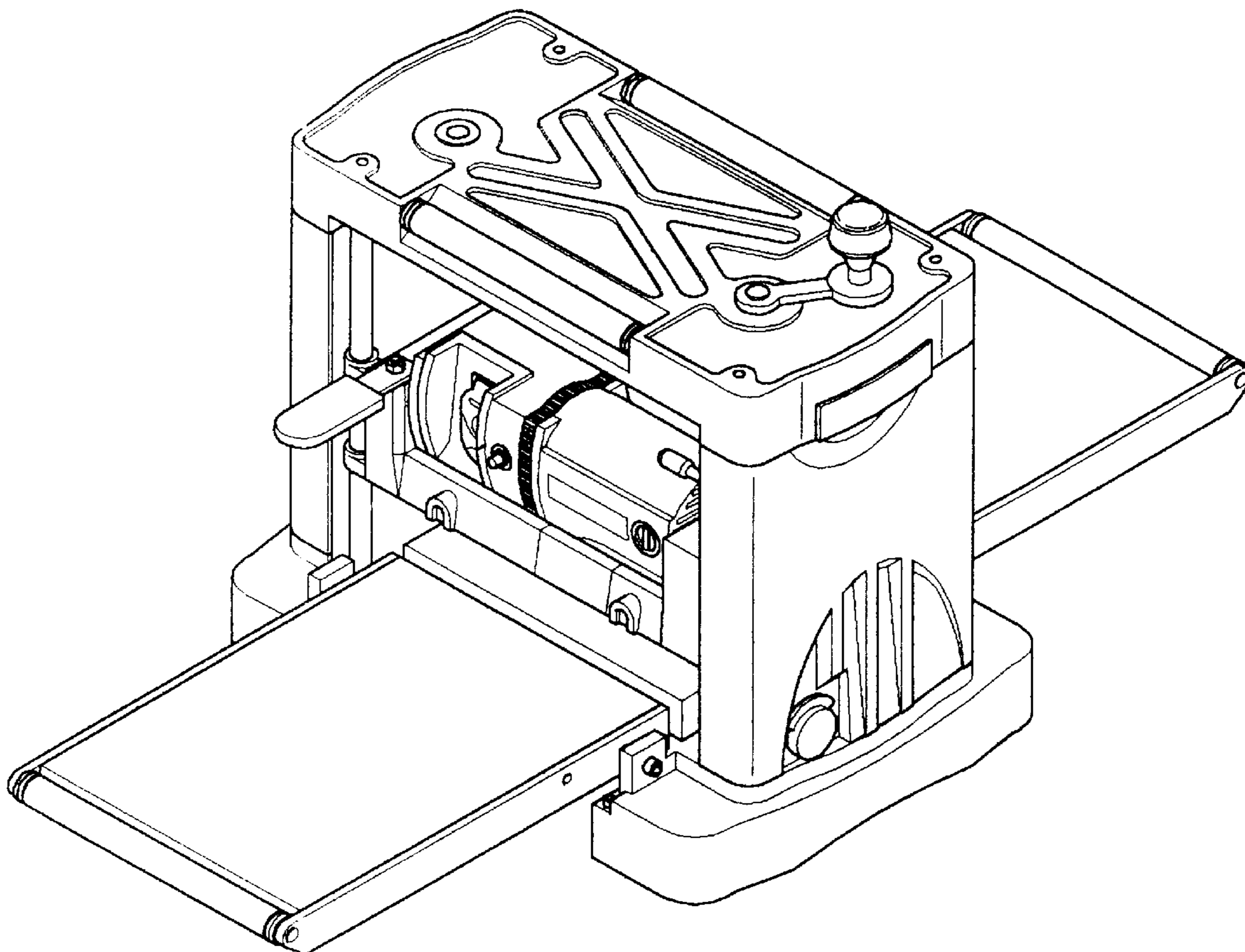
FIG. 1 is a front-right-top perspective view of a planer, showing my new design;
FIG. 2 is a front elevational view thereof;
FIG. 3 is a rear elevational view thereof;
FIG. 4 is a left elevational view thereof;
FIG. 5 is a right elevational view thereof;
FIG. 6 is a top plan view thereof; and,
FIG. 7 is a bottom plan view thereof.

(56) **References Cited**

U.S. PATENT DOCUMENTS

D442,976 S * 5/2001 Chin-Feng D15/124

1 Claim, 4 Drawing Sheets



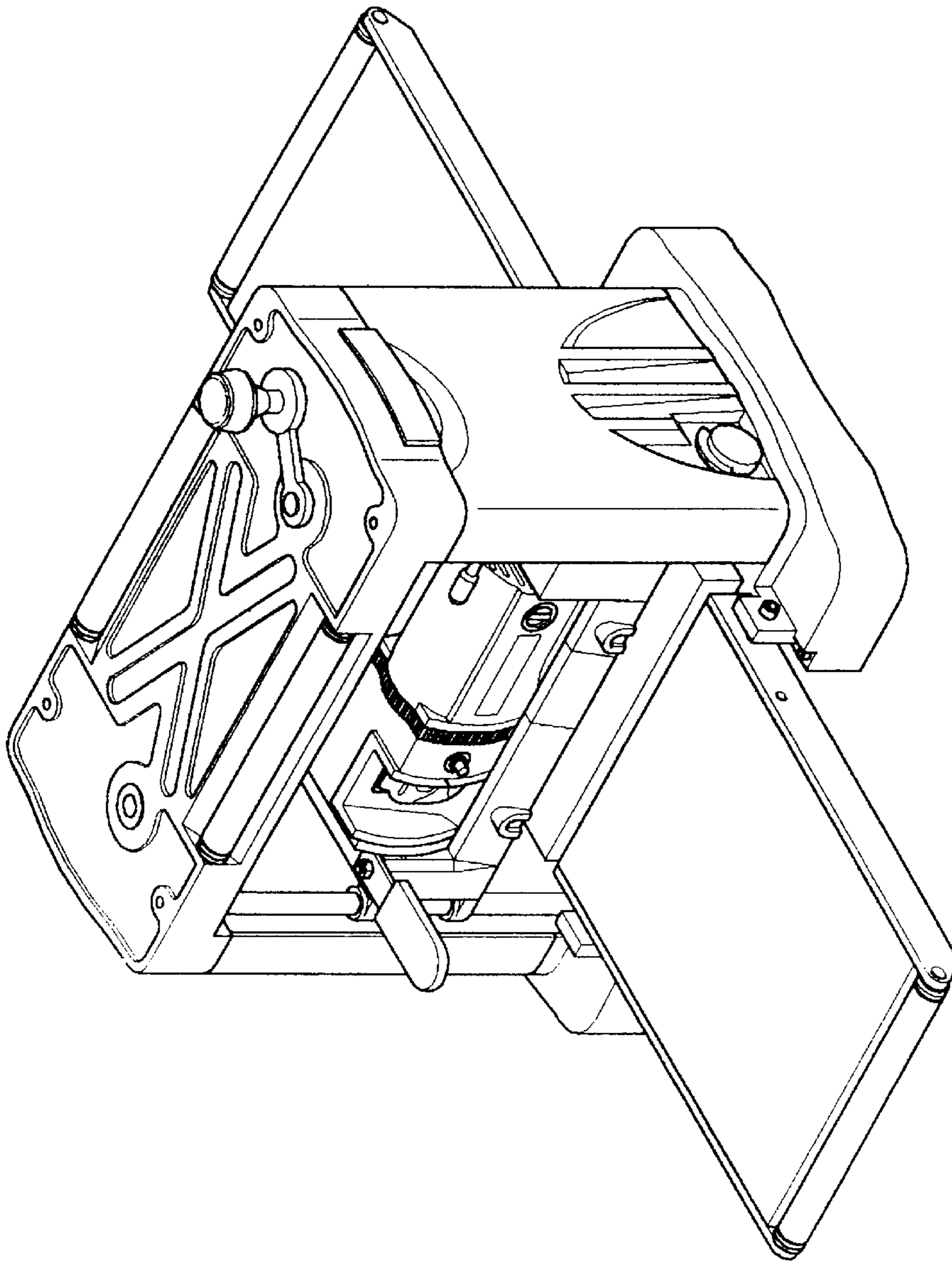


FIG. 1

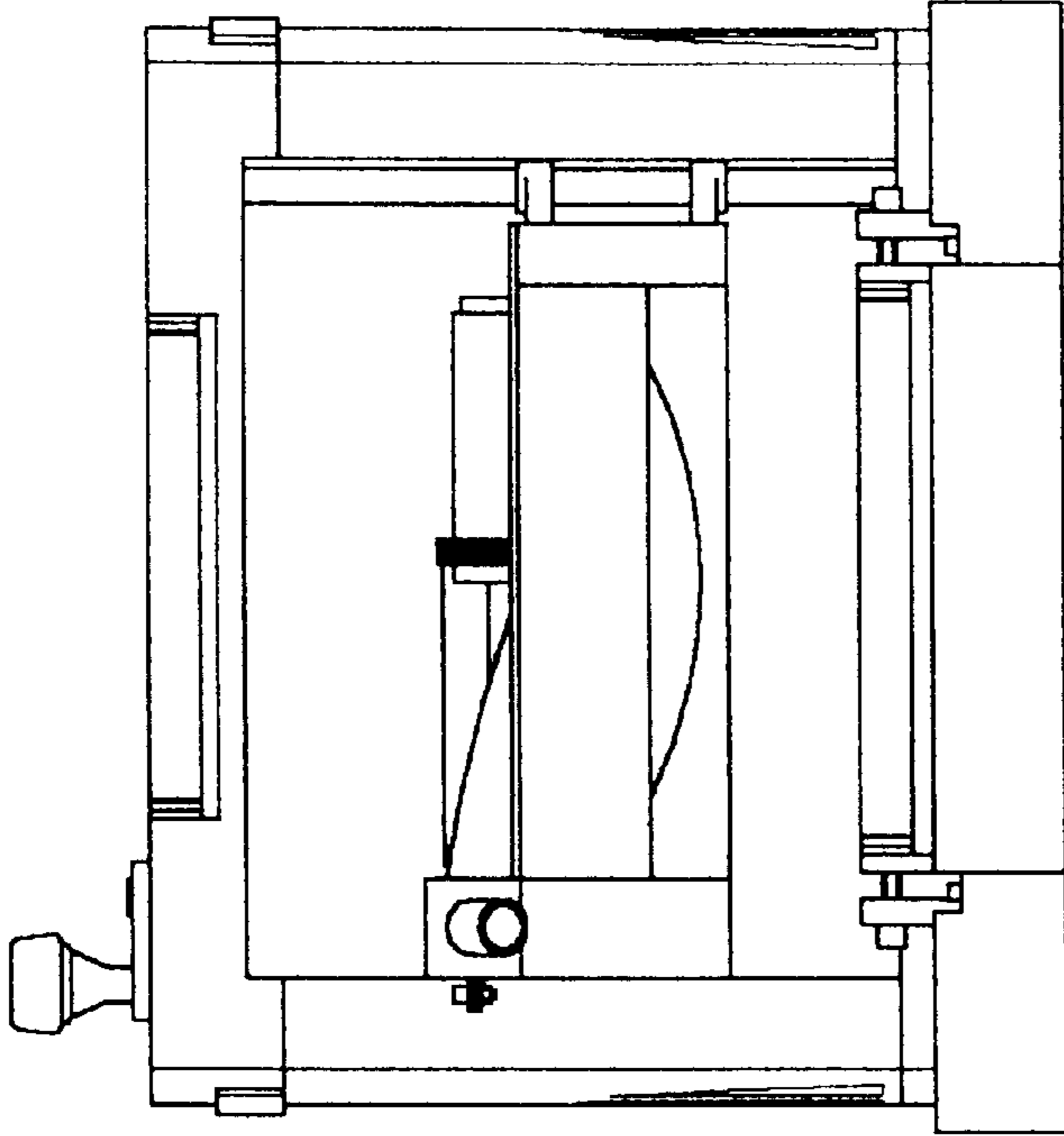


FIG. 3

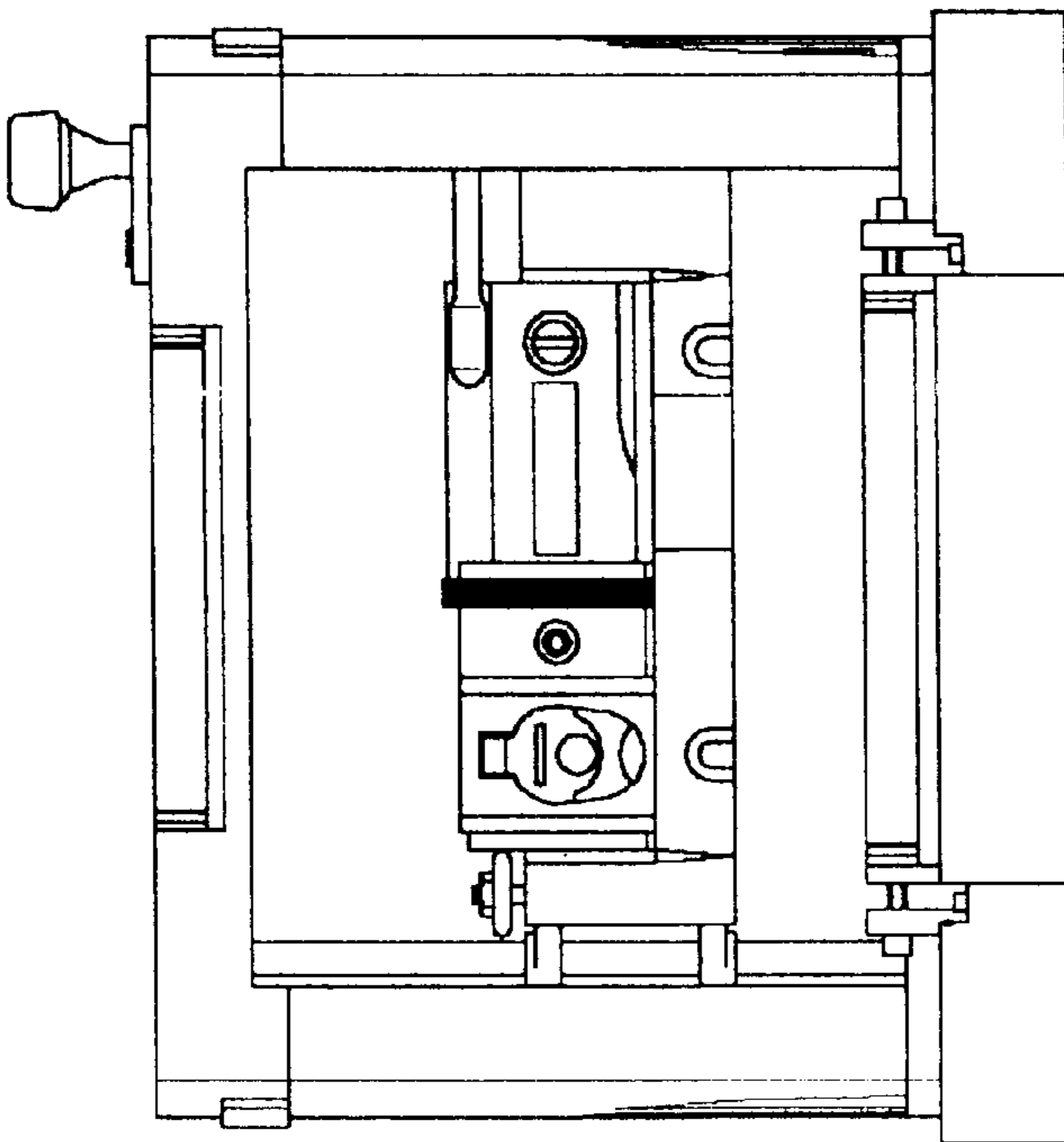


FIG. 2

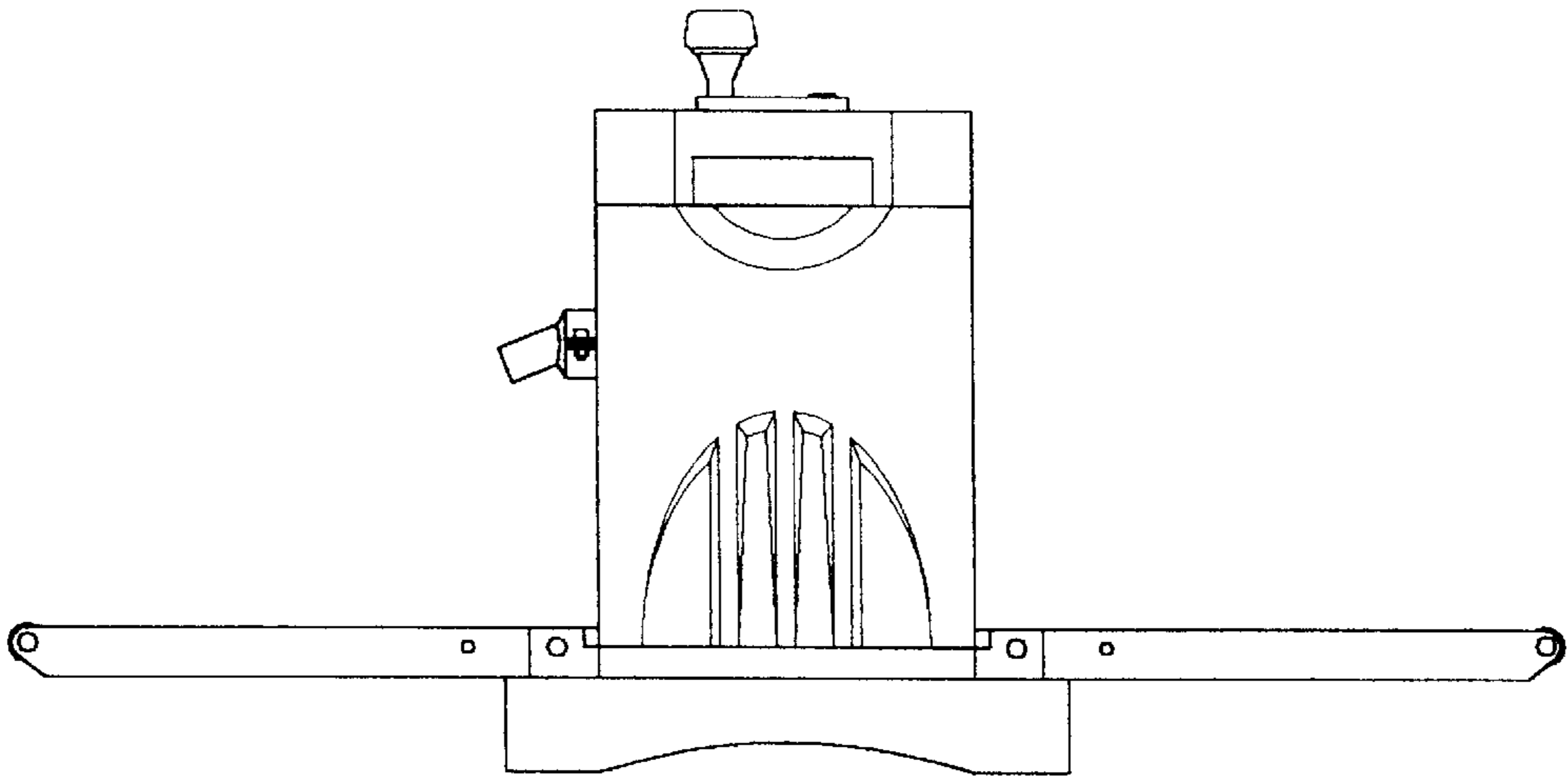


FIG. 4

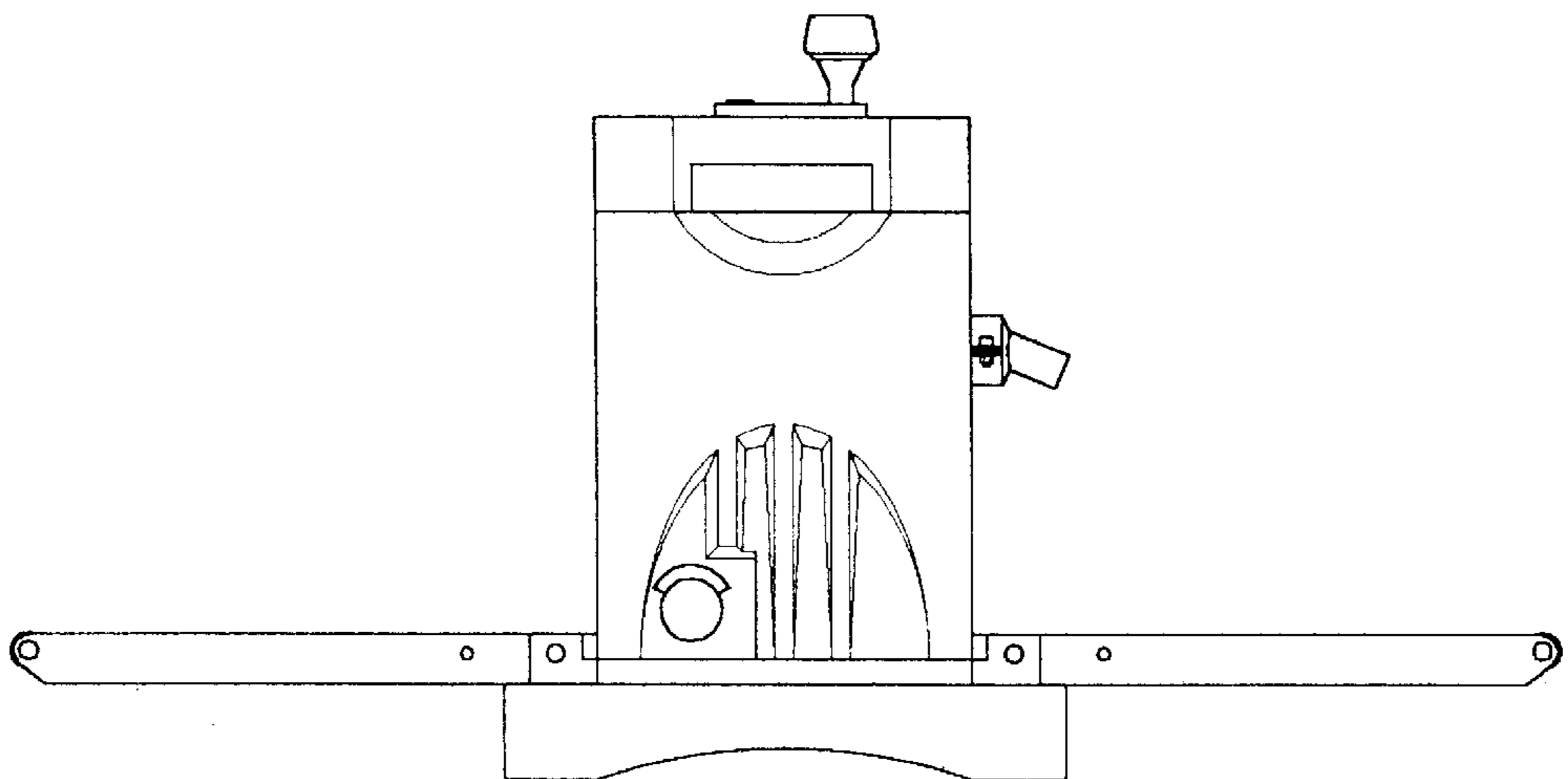


FIG. 5

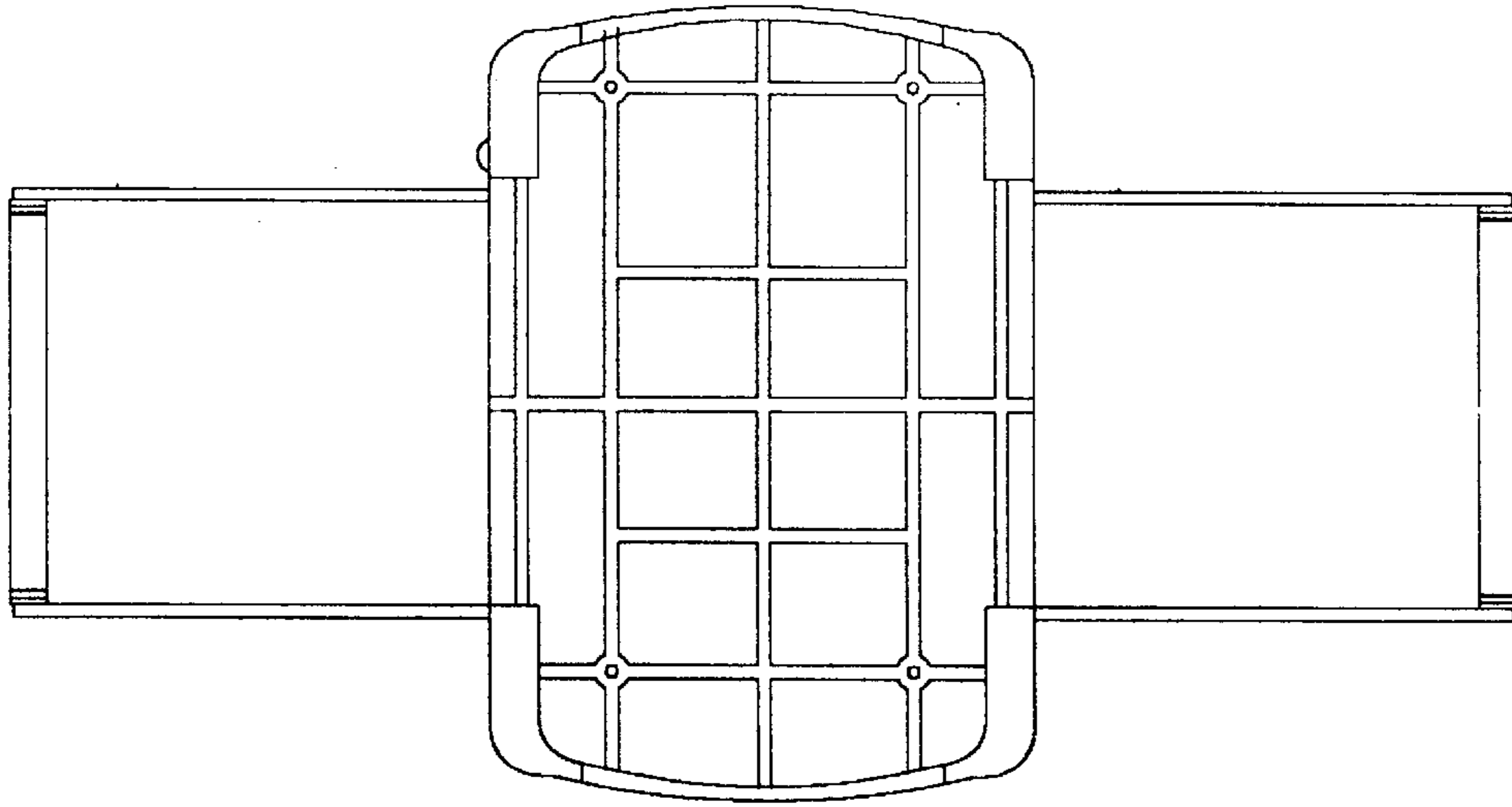


FIG. 7

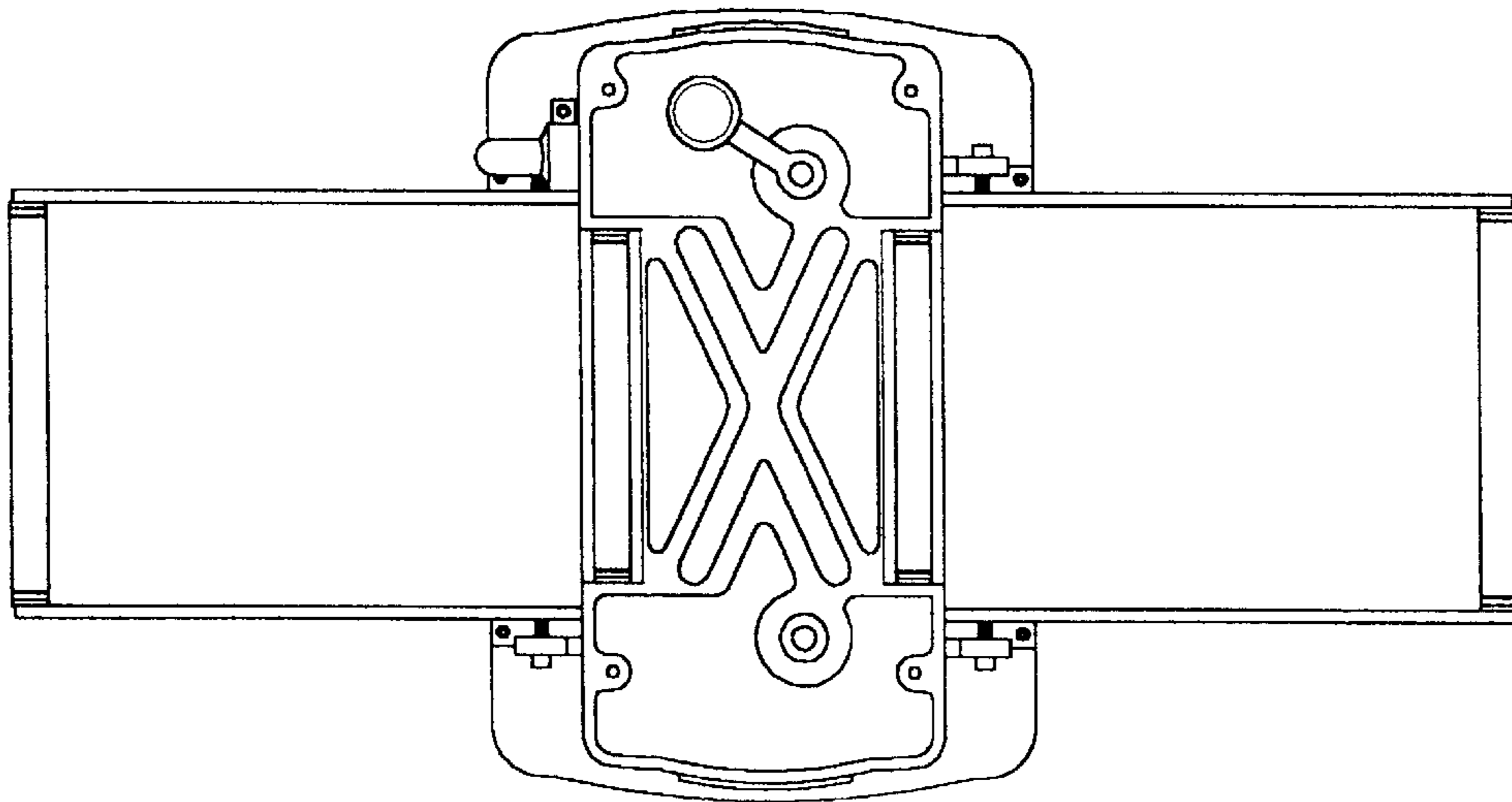


FIG. 6