



US00D476999S

(12) **United States Design Patent**  
**Truan et al.**

(10) **Patent No.:** **US D476,999 S**

(45) **Date of Patent:** **\*\* Jul. 8, 2003**

(54) **FRAME ASSEMBLY FOR A BED MOUNTED SPREADER ASSEMBLY**

(75) Inventors: **Charles J. Truan**, Royal Oak, MI (US); **James Truan**, Royal Oak, MI (US); **Joshua Scott**, Royal Oak, MI (US)

(73) Assignee: **Trynex Inc.**, Warren, MI (US)

(\*\*) Term: **14 Years**

(21) Appl. No.: **29/163,366**

(22) Filed: **Jul. 2, 2002**

(51) **LOC (7) Cl.** ..... **15-03**

(52) **U.S. Cl.** ..... **D15/28**

(58) **Field of Search** ..... D15/28, 13; 404/72, 404/79, 101, 102, 108, 110, 119

(56) **References Cited**

**U.S. PATENT DOCUMENTS**

2,858,011 A	10/1958	Wahl	198/64
3,322,429 A	5/1967	Cervelli	275/8
3,559,894 A	2/1971	Murray et al.	239/672
4,363,447 A	12/1982	Schulze	239/659
4,607,979 A	* 8/1986	Morrison	404/110
4,657,431 A	* 4/1987	Morrison	404/108
4,712,717 A	12/1987	Egerdahl	222/252
D314,578 S	* 2/1991	Morrison	D15/13
H1205 H	7/1993	Pearce et al.	239/654
5,234,128 A	8/1993	Hill	222/63
5,288,028 A	2/1994	Spivak et al.	239/683
5,397,172 A	3/1995	Mussor, Jr. et al.	298/22
5,649,666 A	7/1997	Lewis	239/657

5,690,466 A	11/1997	Gaddis et al.	563/669
5,927,617 A	7/1999	Muaao, Jr. et al.	239/657
6,027,052 A	2/2000	Strieker et al.	239/654
6,047,908 A	4/2000	Seymour et al.	239/675
6,068,200 A	5/2000	Kime	239/7
6,089,478 A	7/2000	Truan et al.	239/675
6,092,966 A	7/2000	Martin et al.	410/22
6,145,709 A	11/2000	Hogan et al.	222/278
6,179,230 B1	1/2001	Geroux et al.	239/672

\* cited by examiner

*Primary Examiner*—Mitchell Siegel

(74) *Attorney, Agent, or Firm*—Howard & Howard

(57) **CLAIM**

An ornamental design for a frame assembly for a bed mounted spreader assembly, as shown and described.

**DESCRIPTION**

FIG. 1 is a perspective view of a vehicle, being shown in phantom lines and forming no part of the claimed invention, having the frame assembly mounted thereto for supporting the bed mounted spreader assembly. The bed mounted spreader assembly is also shown in phantom lines and forms no part of the claimed invention;

FIG. 2 is a perspective view of the frame assembly having cross bars, the cross bars being shown in phantom lines and forming no part of the claimed invention;

FIG. 3 is a side view of FIG. 2;

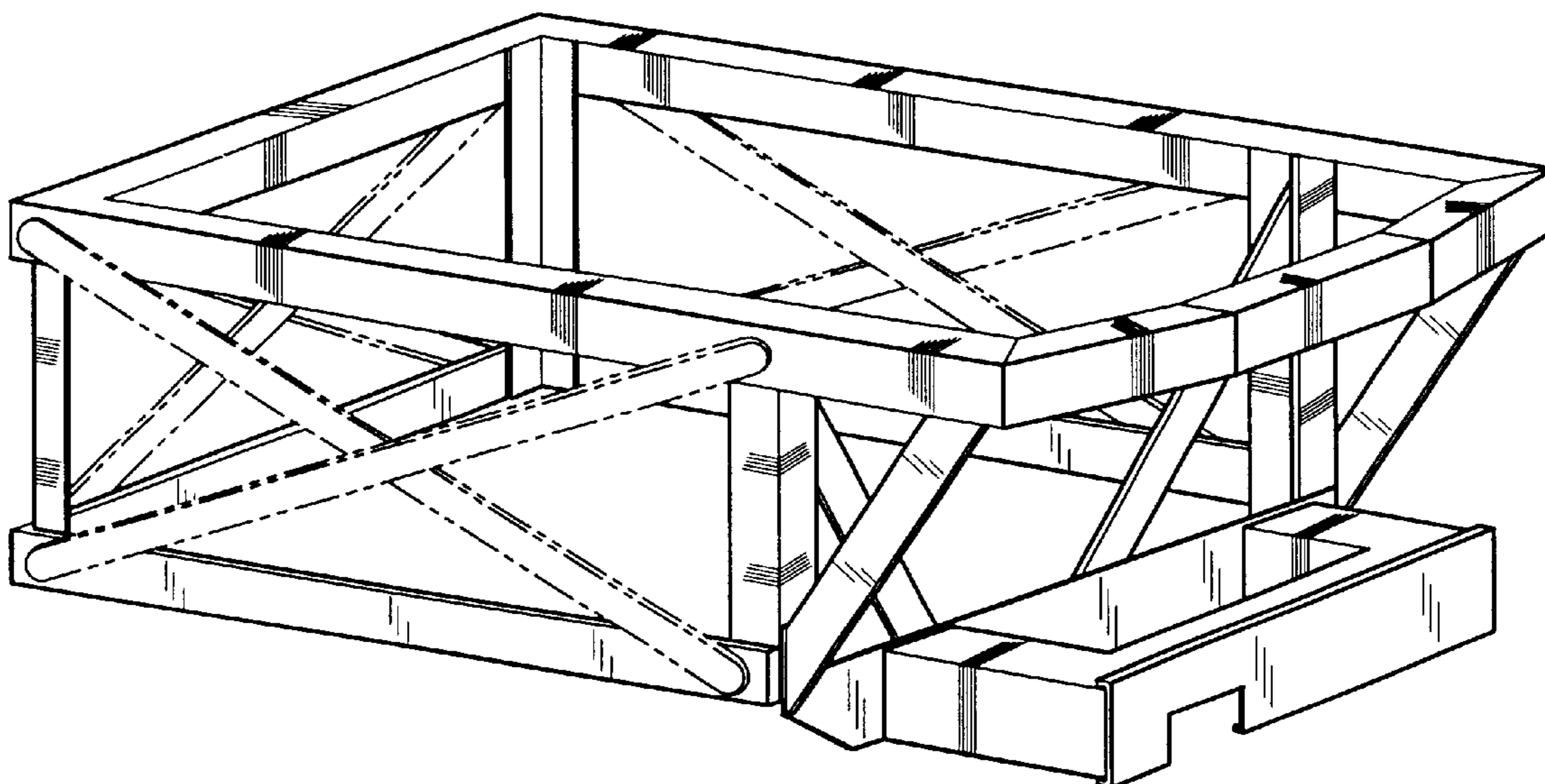
FIG. 4 is a back view of FIG. 2;

FIG. 5 is a front view of FIG. 2;

FIG. 6 is a top view of FIG. 2; and,

FIG. 7 is a bottom view of FIG. 2.

**1 Claim, 4 Drawing Sheets**



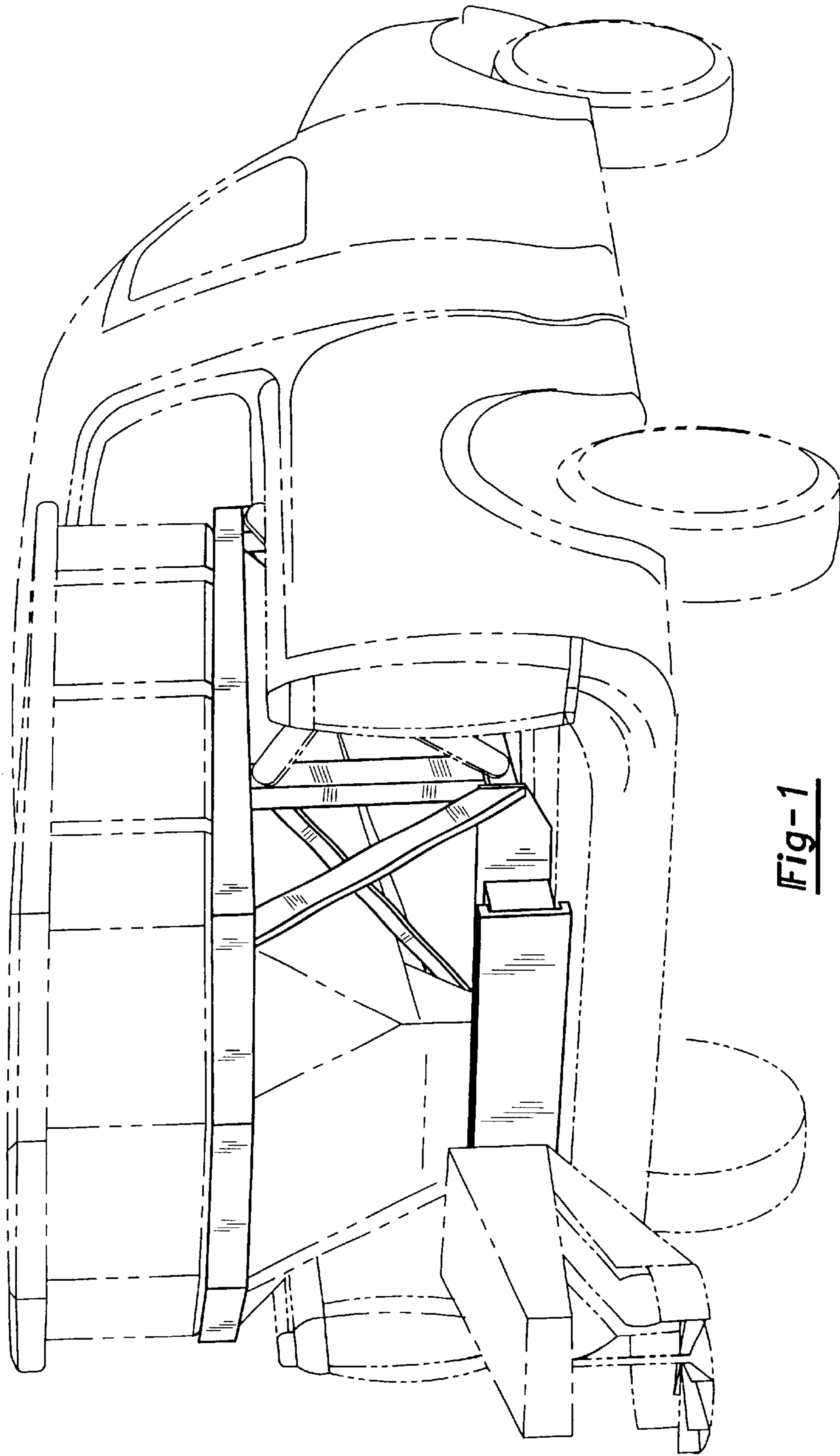


Fig-1

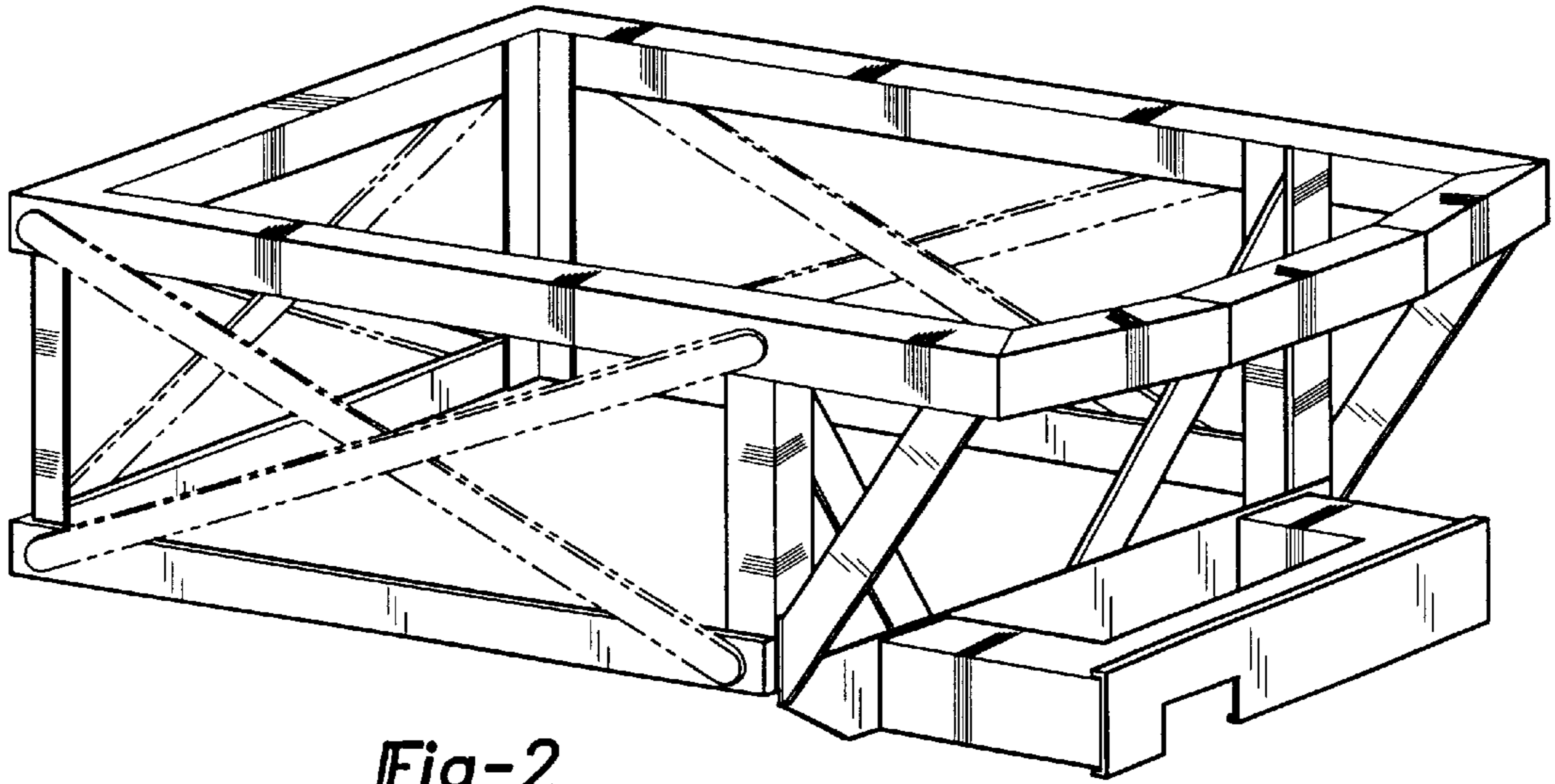


Fig-2

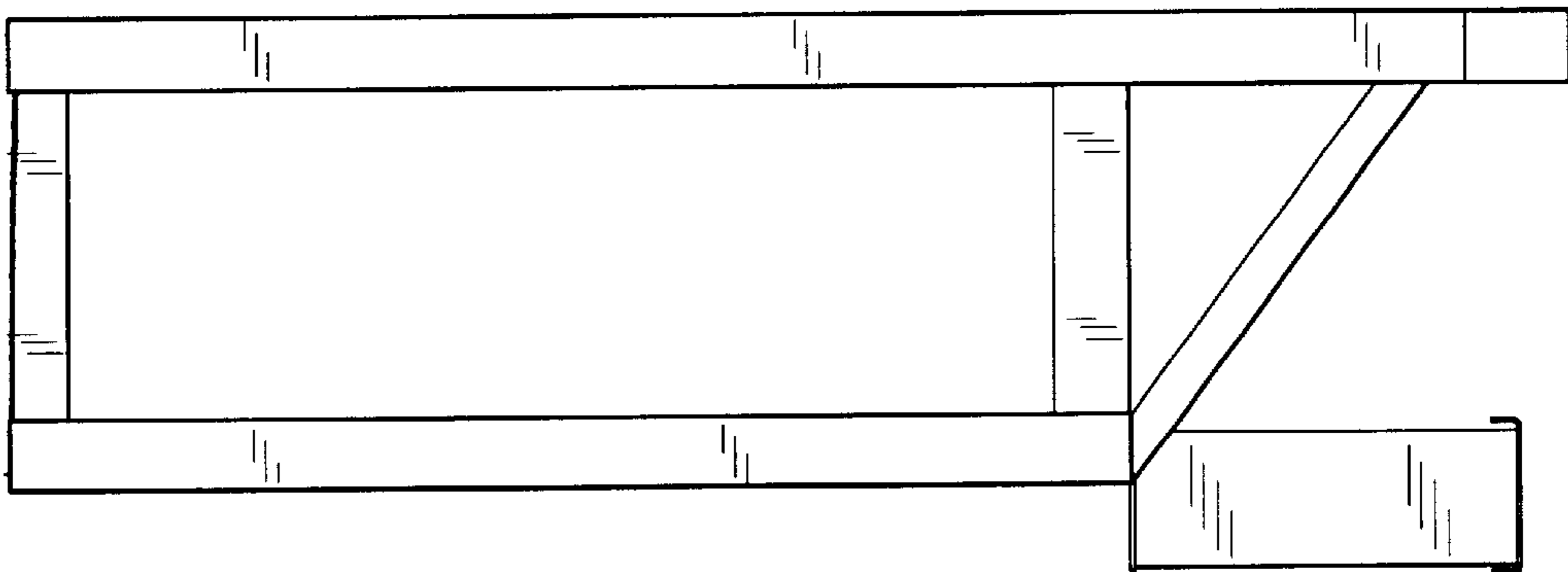


Fig-3

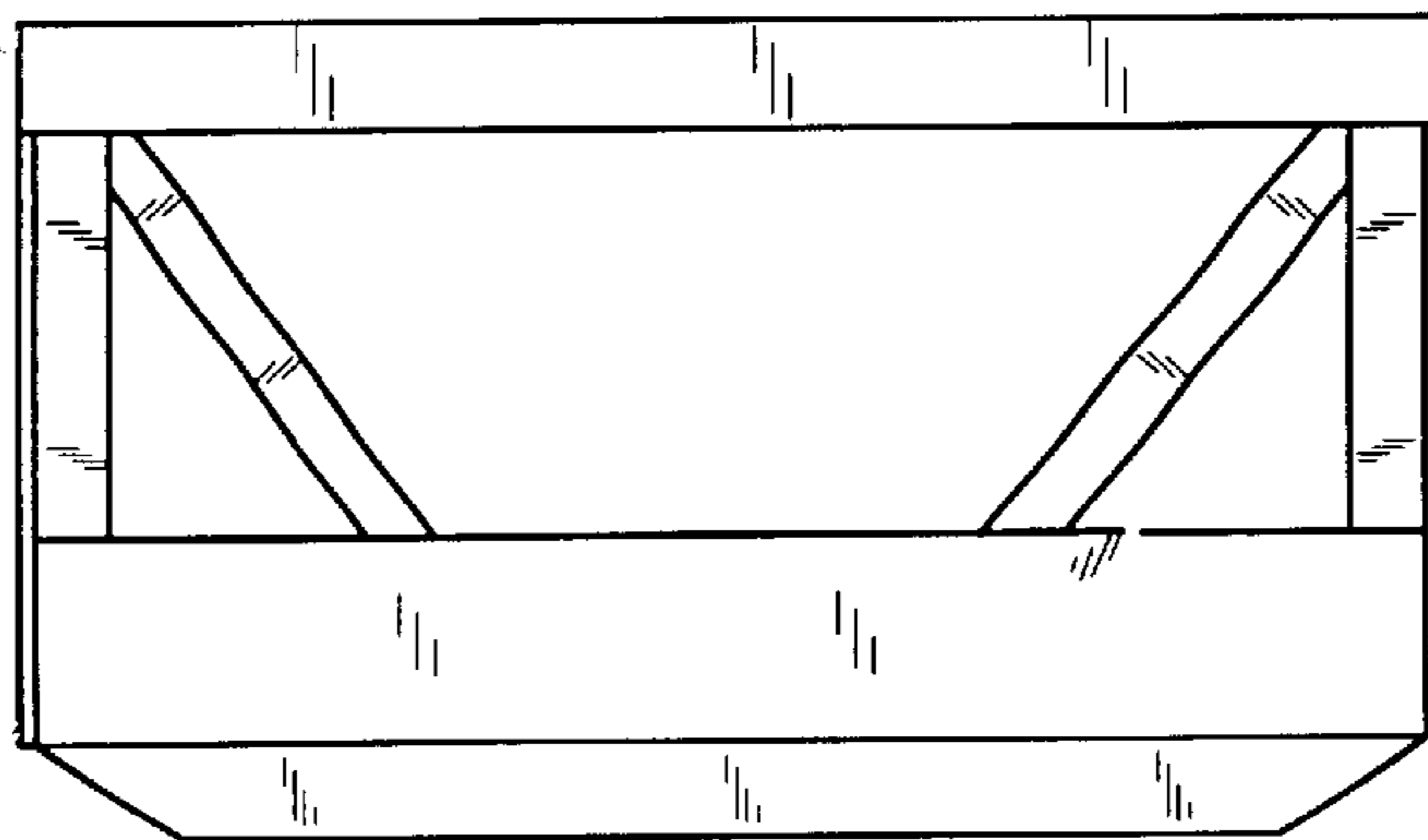


Fig-4

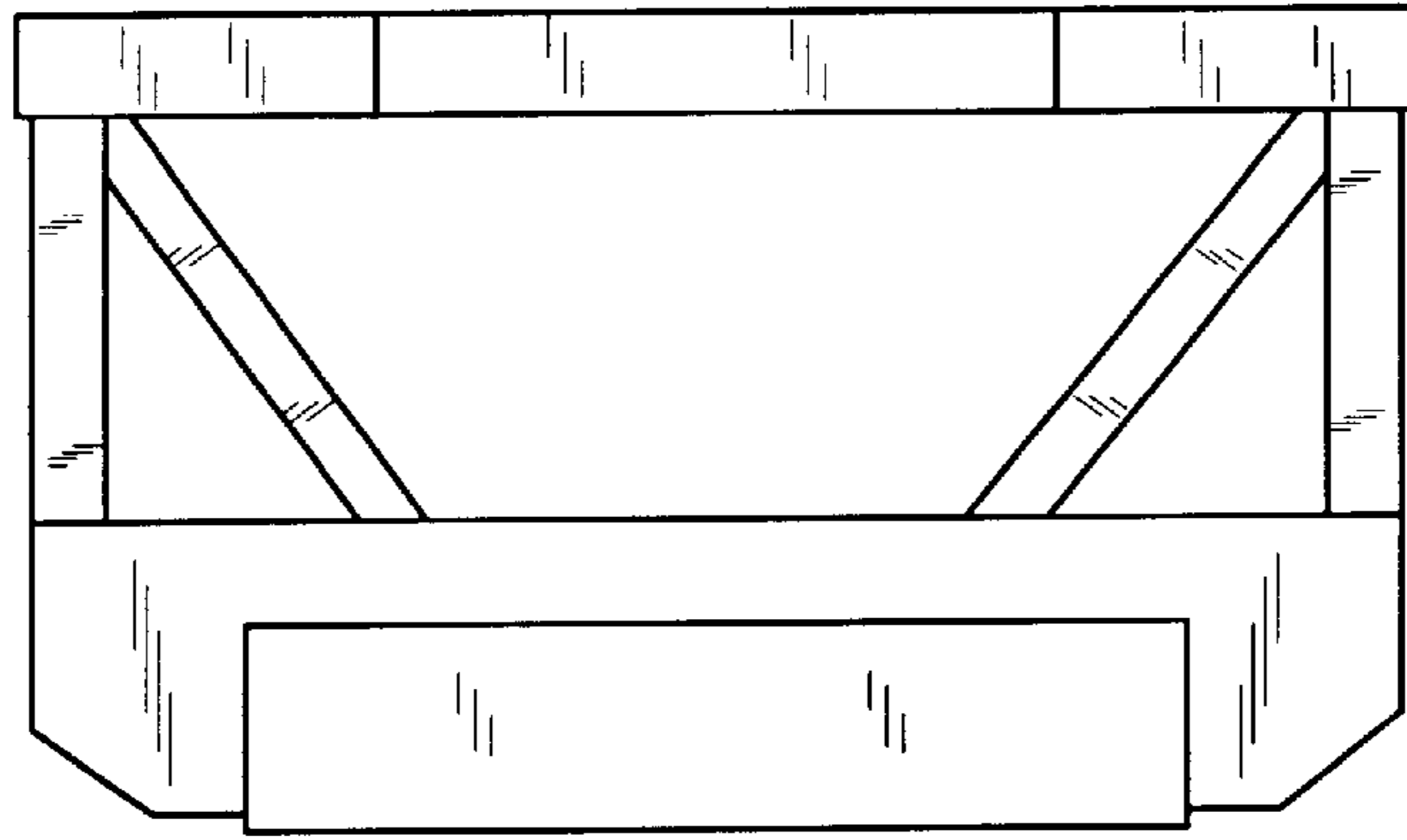


Fig-5

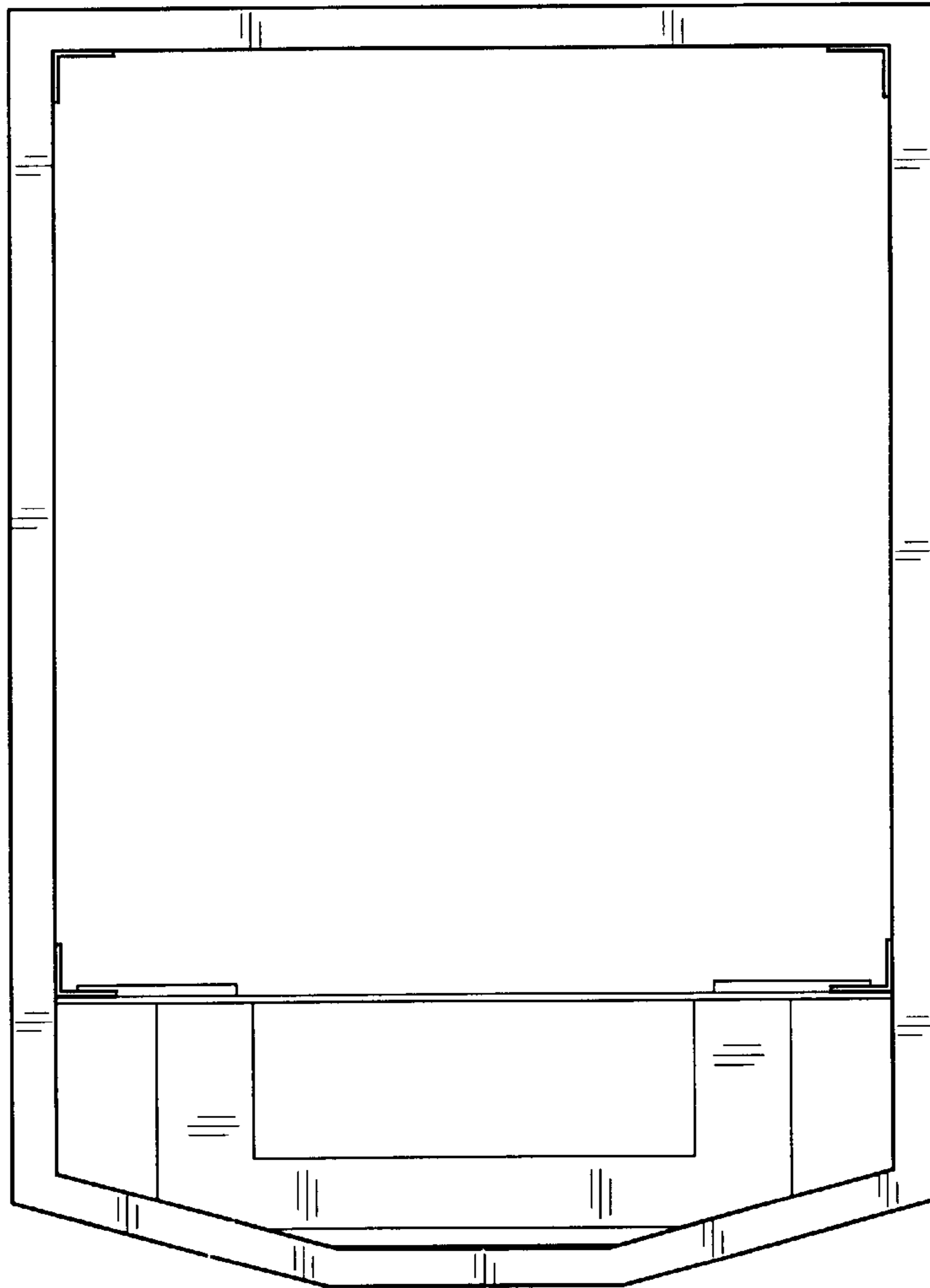


Fig-6

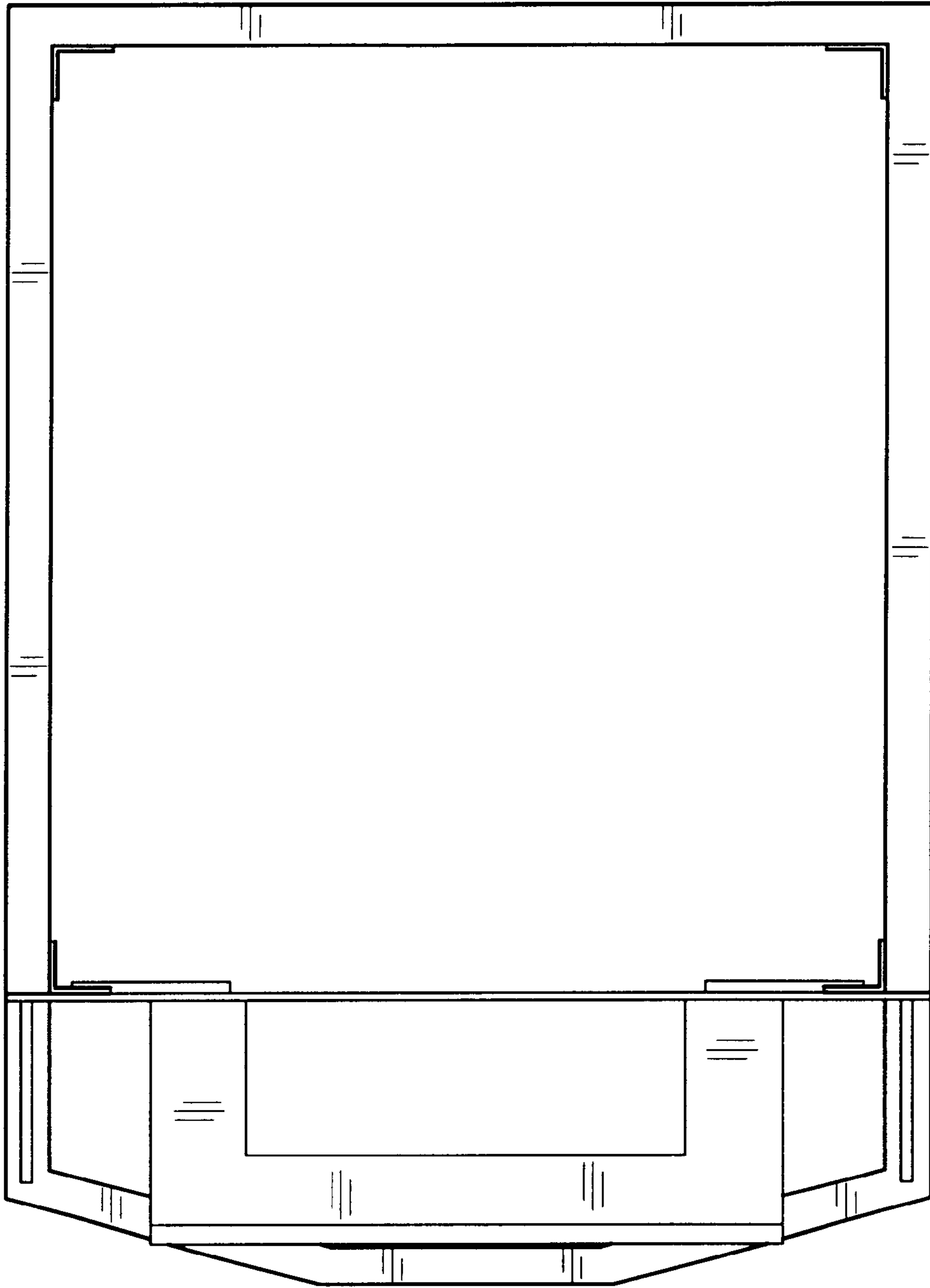


Fig-7