



US00D476998S

(12) **United States Design Patent**  
**Olsen et al.**

(10) **Patent No.:** **US D476,998 S**

(45) **Date of Patent:** **\*\* Jul. 8, 2003**

(54) **FLOATING PLATFORM SUBSTRUCTURE**

D462,367 S \* 9/2002 Lagsdin ..... D15/28  
D467,594 S \* 12/2002 Lagsdin ..... D15/28

(75) Inventors: **Tor Ole Olsen**, Lysaker (NO); **Kare O. Haereid**, Oslo (NO); **Arnstein Godejord**, Slependen (NO); **Trond Landbo**, Haslum (NO)

\* cited by examiner

*Primary Examiner*—Mitchell Siegel  
(74) *Attorney, Agent, or Firm*—Ladas & Parry

(73) Assignee: **MPU Enterprise AS**, Lysaker (NO)

(\*\*) Term: **14 Years**

(57) **CLAIM**

We claim the ornamental design for floating platform substructure, as shown and described.

(21) Appl. No.: **29/159,094**

(22) Filed: **Apr. 15, 2002**

**DESCRIPTION**

(51) **LOC (7) Cl.** ..... **15-03**

(52) **U.S. Cl.** ..... **D15/28**

(58) **Field of Search** ..... D15/28, 10, 22-24;  
414/486, 455, 739, 746.4; 280/763.1, 764.1,  
765; 212/304

FIG. 1 is a front/top/right-side perspective view of a floating platform substructure showing our new design, the rear/top/left-side perspective view being a mirror image and, therefore, not shown; and,

FIG. 2 is a front/bottom/right-side perspective view thereof, the rear/bottom/left-side perspective view being a mirror image and, therefore, not shown.

(56) **References Cited**

**U.S. PATENT DOCUMENTS**

D462,366 S \* 9/2002 Lagsdin ..... D15/28

**1 Claim, 1 Drawing Sheet**

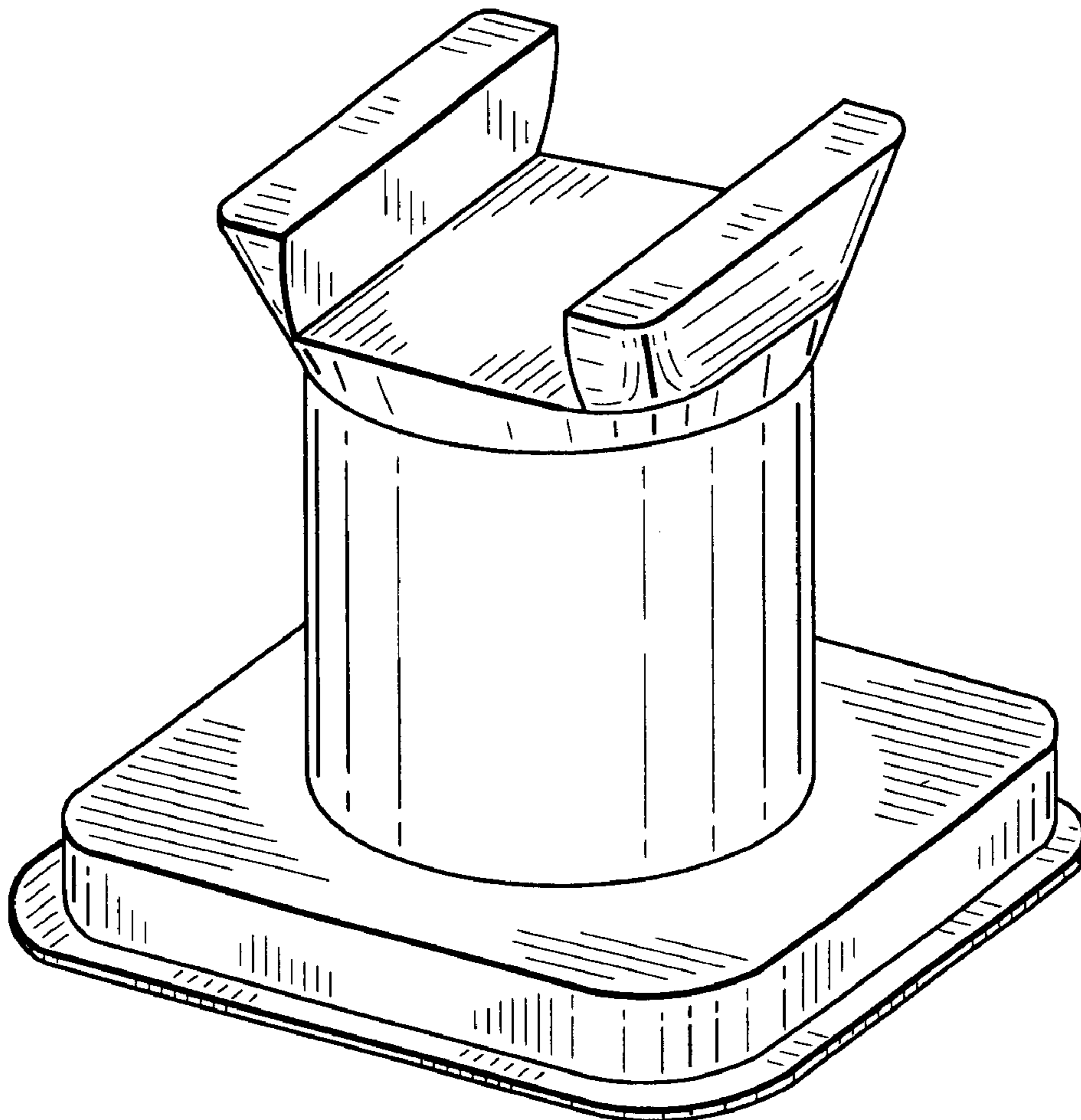


FIG. 1

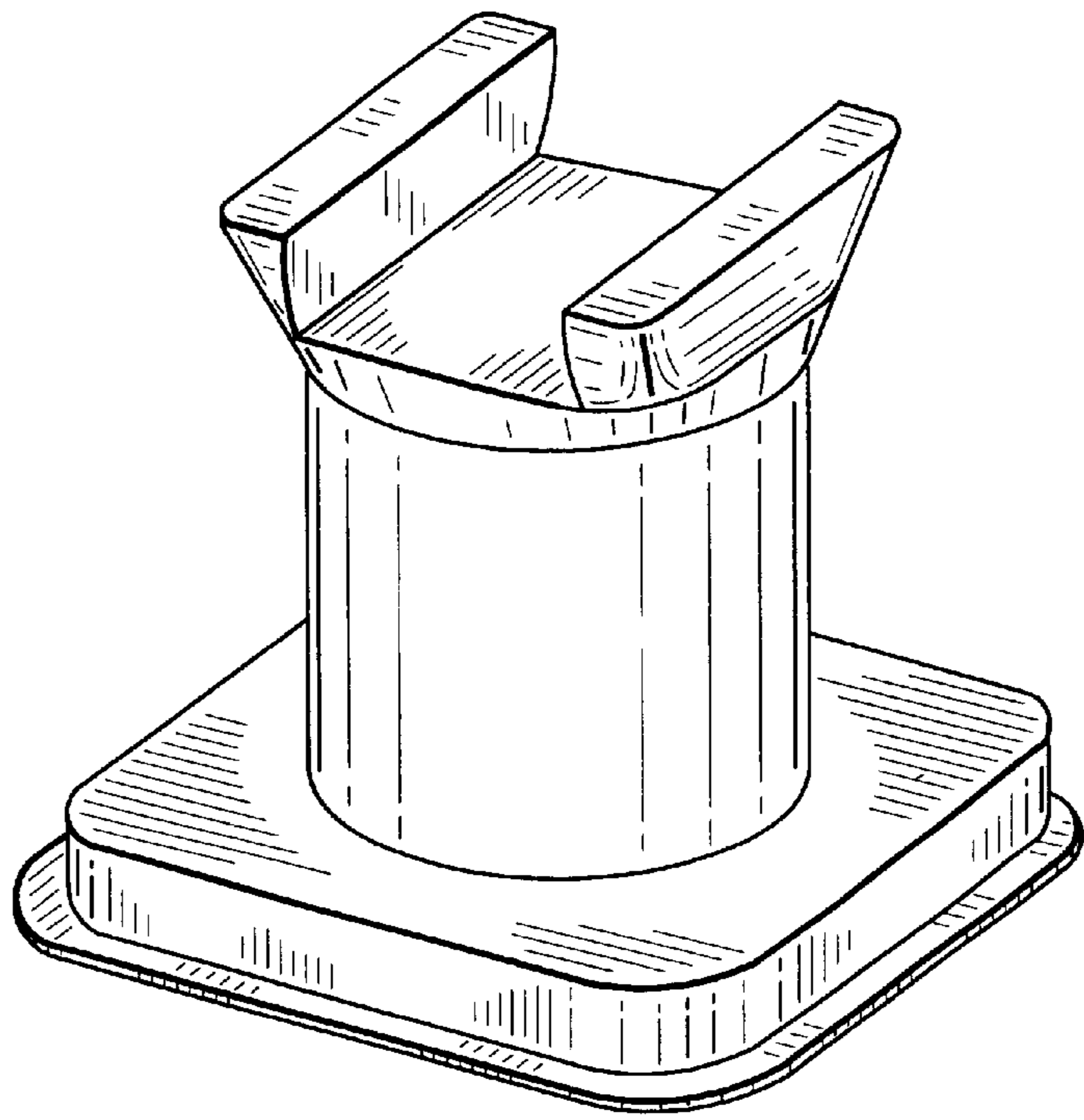
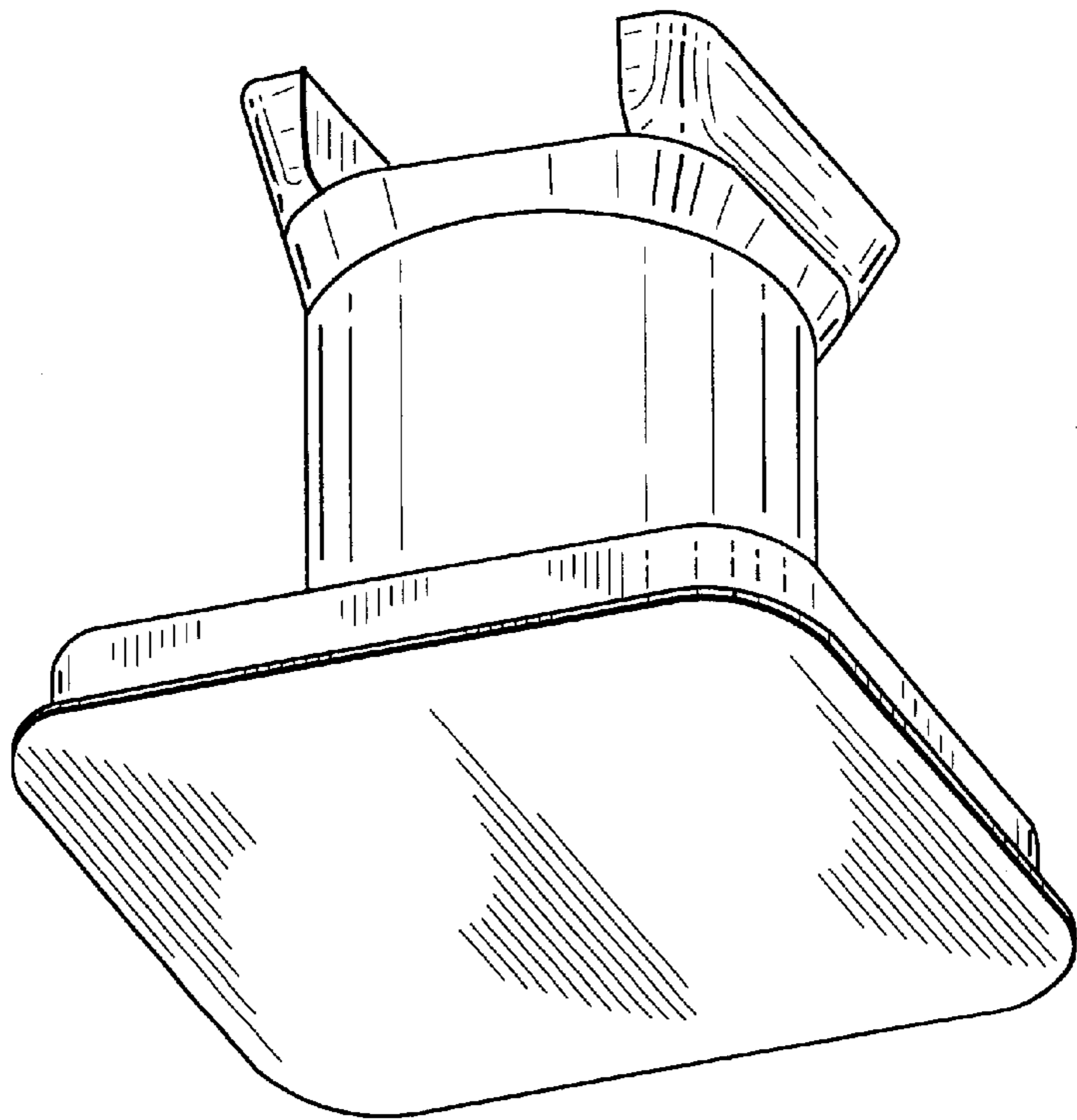


FIG. 2



UNITED STATES PATENT AND TRADEMARK OFFICE  
**CERTIFICATE OF CORRECTION**

PATENT NO. : Des. 476,998 S  
DATED : July 8, 2003  
INVENTOR(S) : Tor Ole Olsen et al.

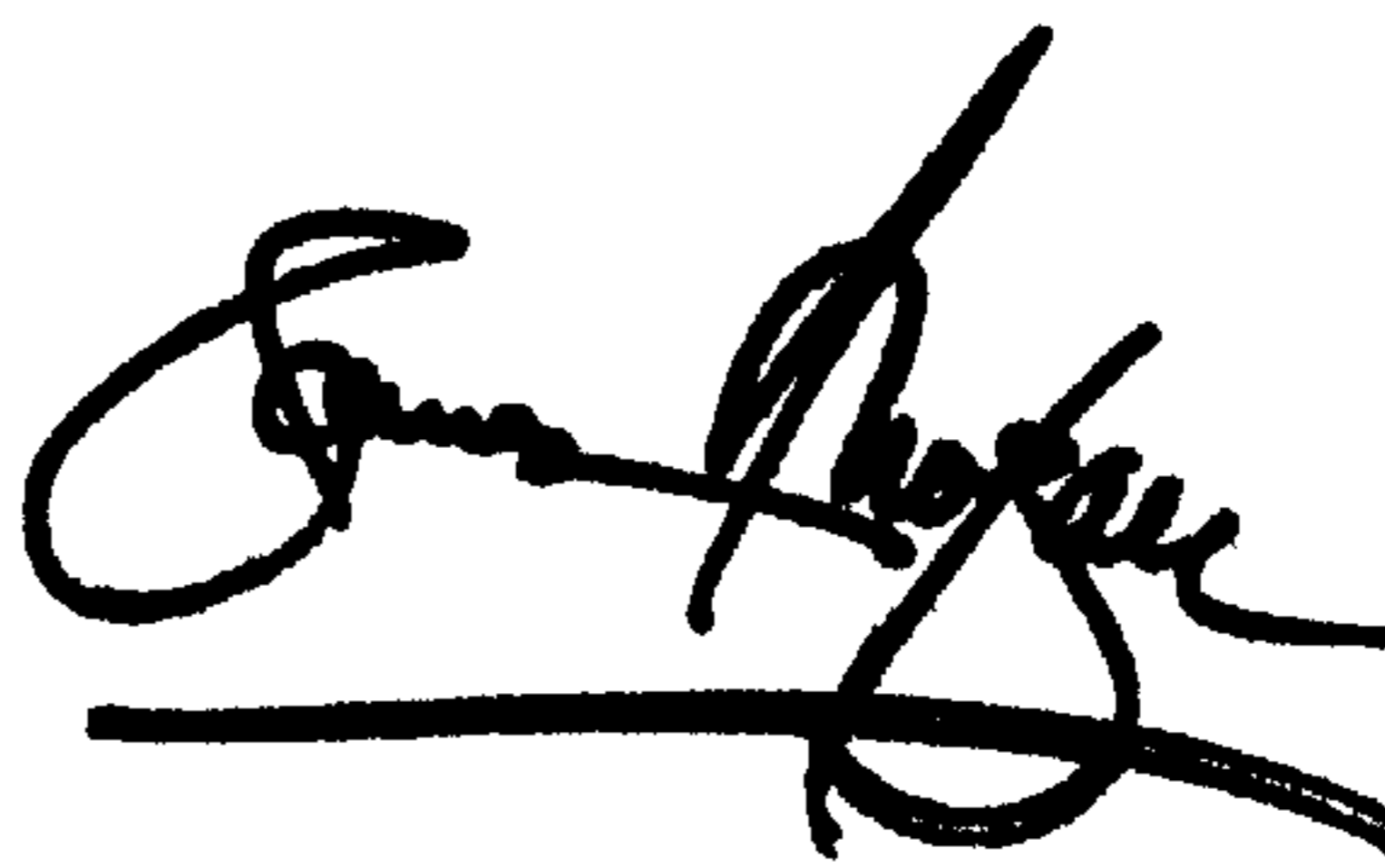
Page 1 of 1

It is certified that error appears in the above-identified patent and that said Letters Patent is hereby corrected as shown below:

Title page,  
Add -- [30] **Foreign Application Priority Data**  
Oct. 17, 2001 (NO) .... 2001 0608 --.

Signed and Sealed this

Twenty-eighth Day of October, 2003

A handwritten signature in black ink, appearing to read "James E. Rogan", written over a horizontal line.

JAMES E. ROGAN  
*Director of the United States Patent and Trademark Office*