



US00D476997S

(12) **United States Design Patent**  
**Tanner, Jr.**

(10) **Patent No.:** **US D476,997 S**

(45) **Date of Patent:** **\*\* Jul. 8, 2003**

(54) **ELECTRIC OIL PUMP FOR AN ENGINE**

*Primary Examiner*—Ralf Seifert

(76) **Inventor:** **Jerry Tanner, Jr., 5235 Chesapeake Ave., Orlando, FL (US) 32808**

(57) **CLAIM**

(\*\*) **Term:** **14 Years**

The ornamental design for an electric oil pump for an engine, as shown and described.

(21) **Appl. No.:** **29/169,754**

**DESCRIPTION**

(22) **Filed:** **Oct. 28, 2002**

(51) **LOC (7) Cl.** ..... **15-02**

(52) **U.S. Cl.** ..... **D15/9.1**

(58) **Field of Search** ..... D15/7-9.2; 60/325-597; 417/48, 50, 16, 372, 211, 371, 360

FIG. 1 is a front elevated view of an electric oil pump for an engine showing my new design.

FIG. 2 is a rear elevated view of the electric oil pump for an engine.

FIG. 3 is a right side elevated view of the electric oil pump for an engine.

FIG. 4 is a left side elevated view of the electric oil pump for an engine.

FIG. 5 is a top plan view of the electric oil pump for an engine; and,

FIG. 6 is a bottom plan view of the electric oil pump for an engine.

It being understood the break lines indicate continuation of the cord uniformly along a length.

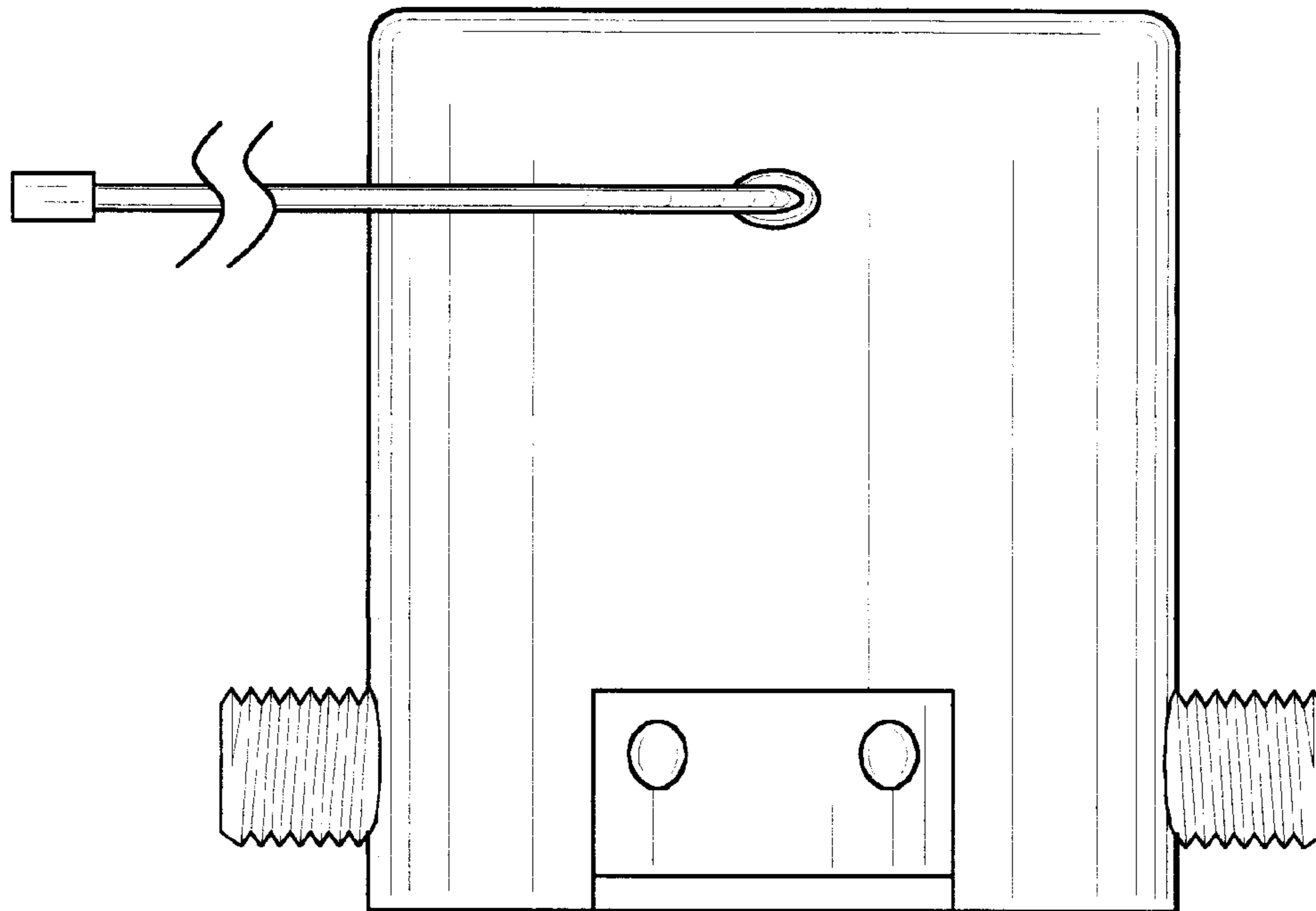
(56) **References Cited**

**U.S. PATENT DOCUMENTS**

D157,102 S	*	1/1950	Tabet	.....	D15/9.1
D354,754 S	*	1/1995	Broughton	.....	D15/7
5,474,428 A	*	12/1995	Kimura et al.	.....	417/16
D380,479 S	*	7/1997	Cantley et al.	.....	D15/7
D436,360 S	*	1/2001	Murayama	.....	D15/7
D445,804 S	*	7/2001	Tsai	.....	D15/7
6,287,090 B1	*	9/2001	Hamasaki et al.	.....	417/360

\* cited by examiner

**1 Claim, 3 Drawing Sheets**



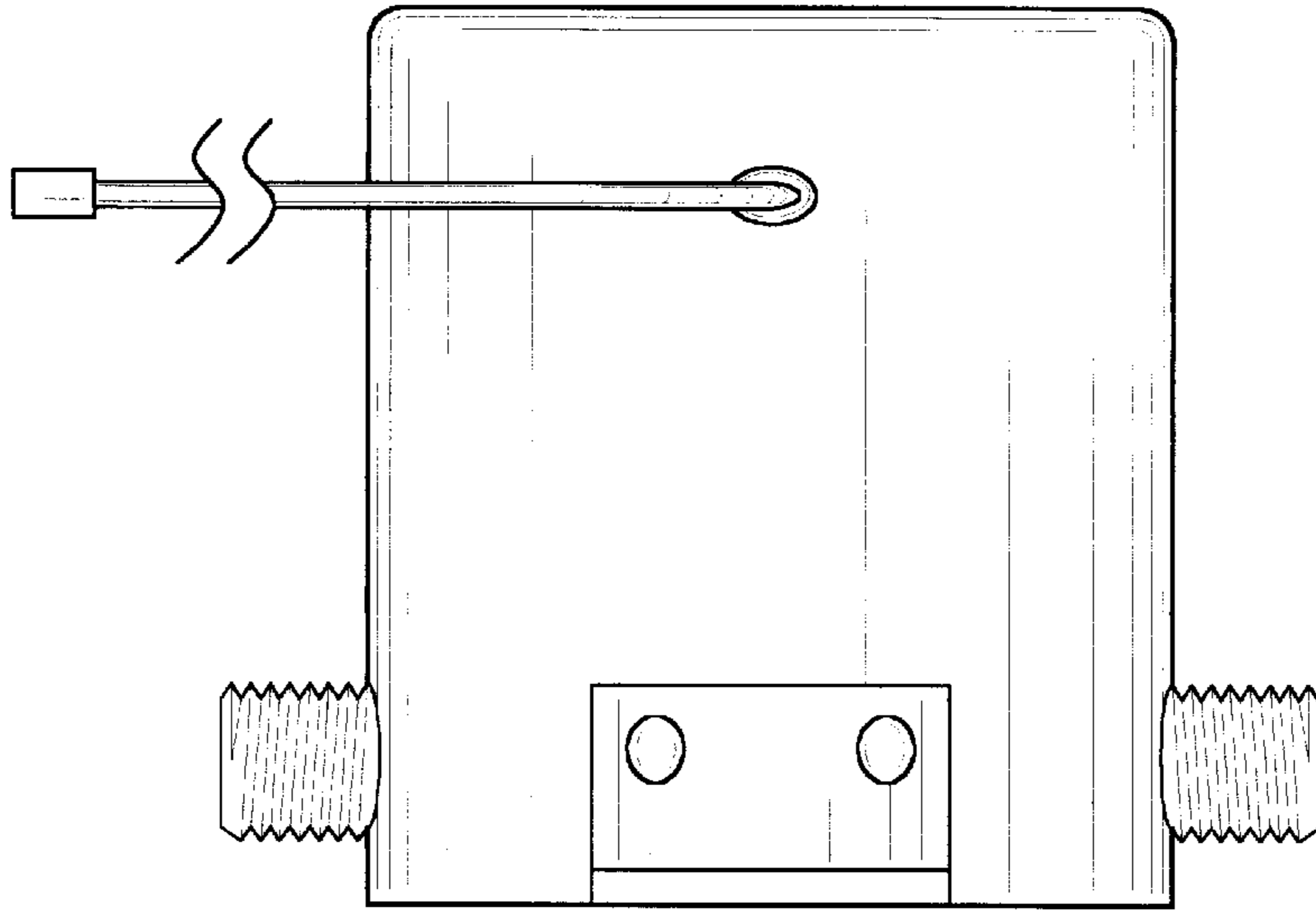


FIG. 1

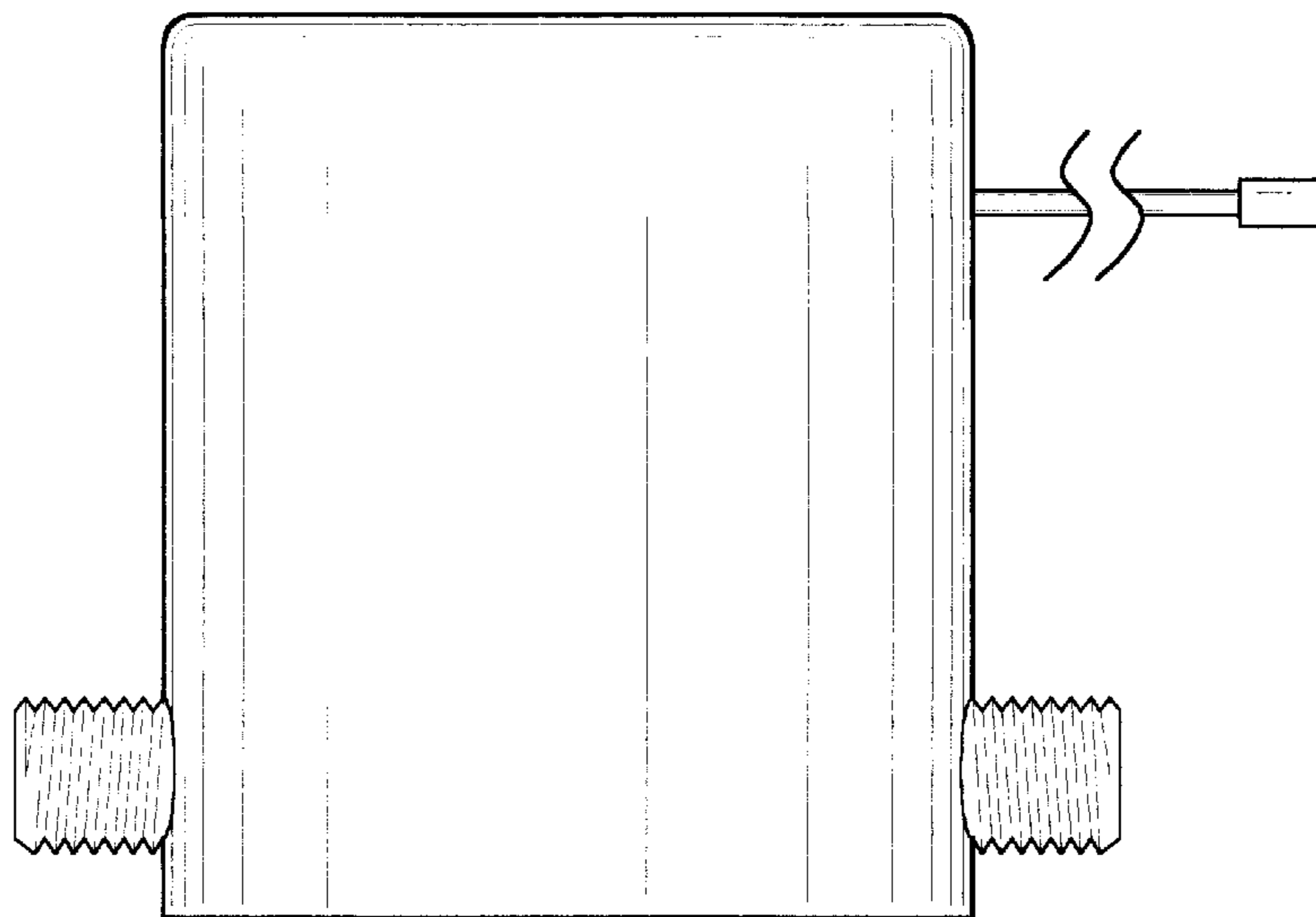


FIG. 2

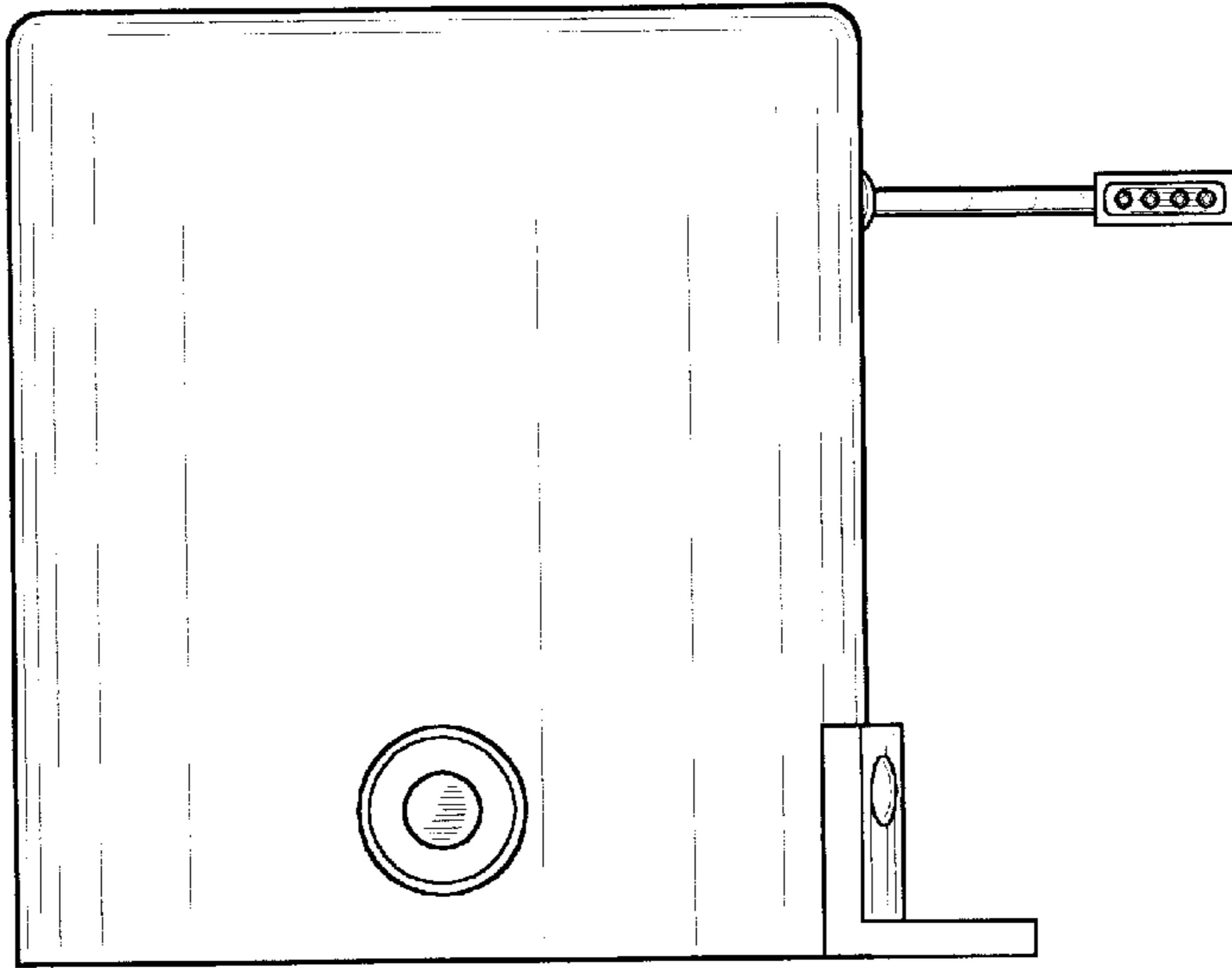


FIG. 3

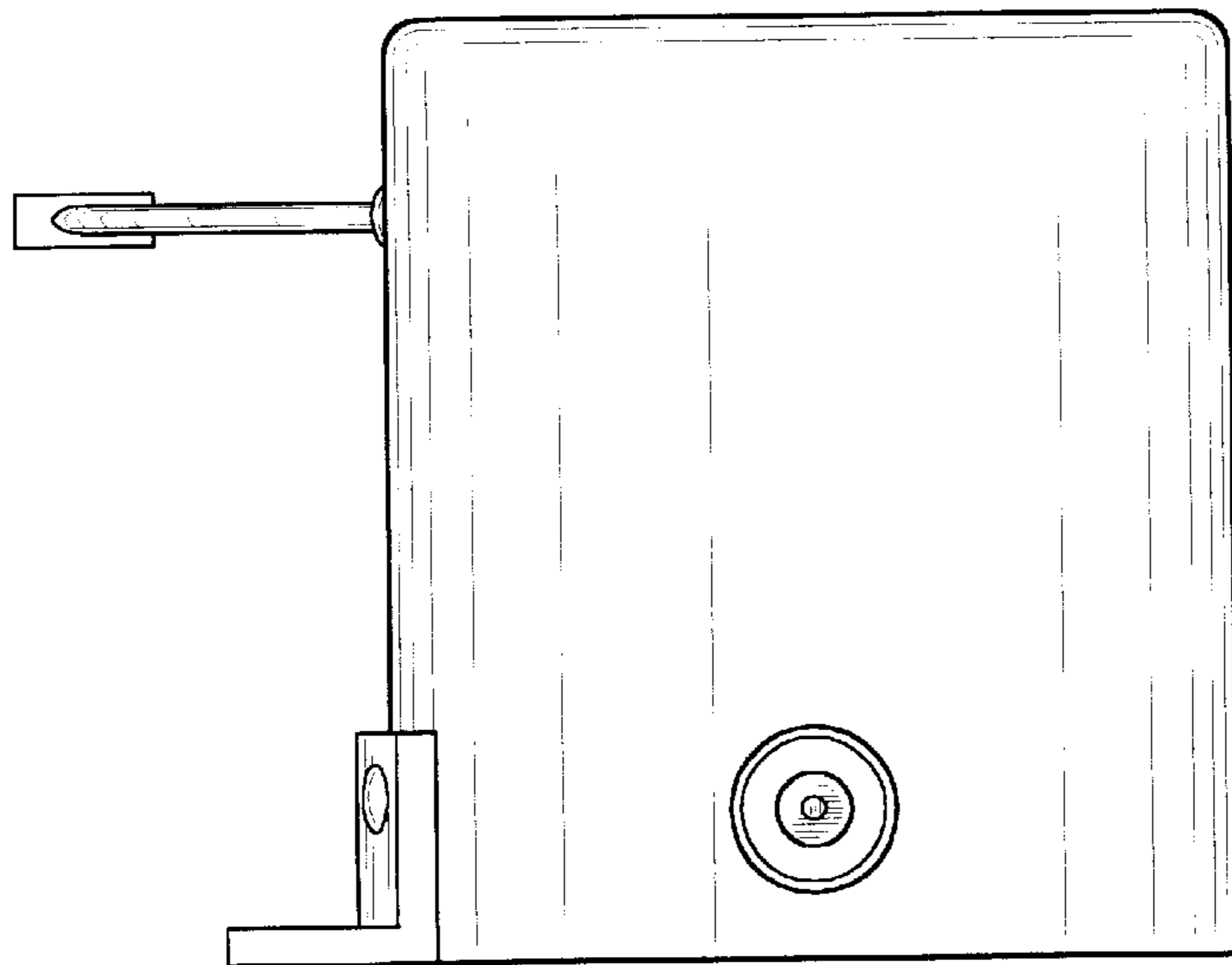


FIG. 4

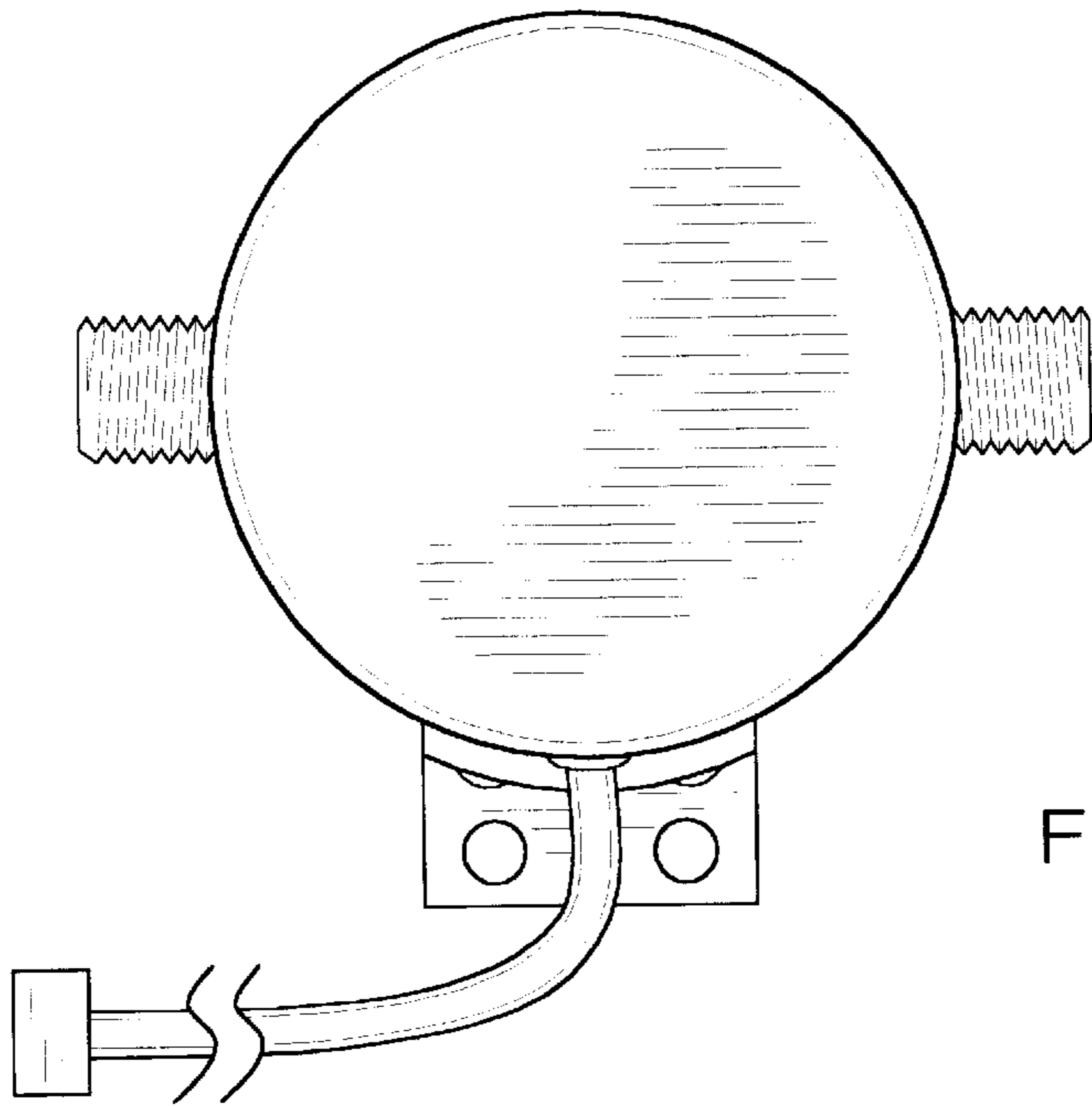


FIG. 5

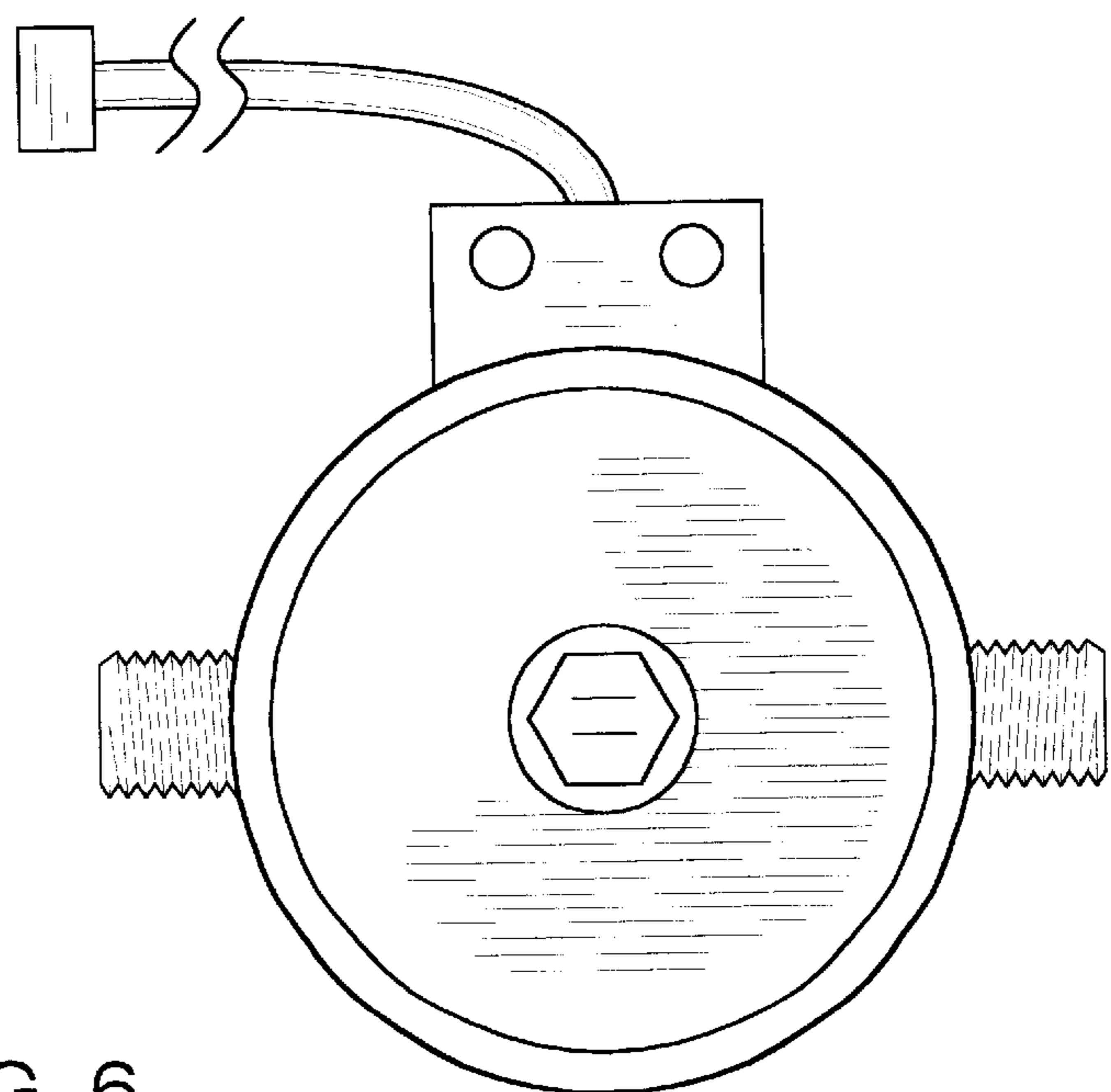


FIG. 6