



US00D476996S

(12) **United States Design Patent**
Amit et al.

(10) **Patent No.:** **US D476,996 S**

(45) **Date of Patent:** **** Jul. 8, 2003**

(54) **CONTROL UNIT FOR APPLYING COOLING AND COMPRESSION**

D436,600 S * 1/2001 Larsson D15/7
D447,752 S * 9/2001 Matthew et al. D15/9

(75) Inventors: **Gadi Amit**, Belmont, CA (US);
Christopher N. Lenart, San Francisco, CA (US)

* cited by examiner

Primary Examiner—Ralf Seifert
(74) *Attorney, Agent, or Firm*—Michael B. Einschlag

(73) Assignee: **CoolSystems, Inc.**, Berkeley, CA (US)

(57) **CLAIM**

(**) Term: **14 Years**

The ornamental design for a control unit for applying cooling and compression, as shown and described.

(21) Appl. No.: **29/160,037**

DESCRIPTION

(22) Filed: **May 1, 2002**

FIG. 1 is a front perspective view of a control unit for applying cooling and compression showing our new design; FIG. 2 is a top side view thereof; FIG. 3 is a right side view thereof; FIG. 4 is a left side view thereof; FIG. 5 is a front side view thereof; FIG. 6 is a back side view thereof; and, FIG. 7 is a bottom side view thereof.

(51) **LOC (7) Cl.** **15-02**

(52) **U.S. Cl.** **15/7**

(58) **Field of Search** D15/7-9; 417/234,
417/360, 2, 243, 118, 144

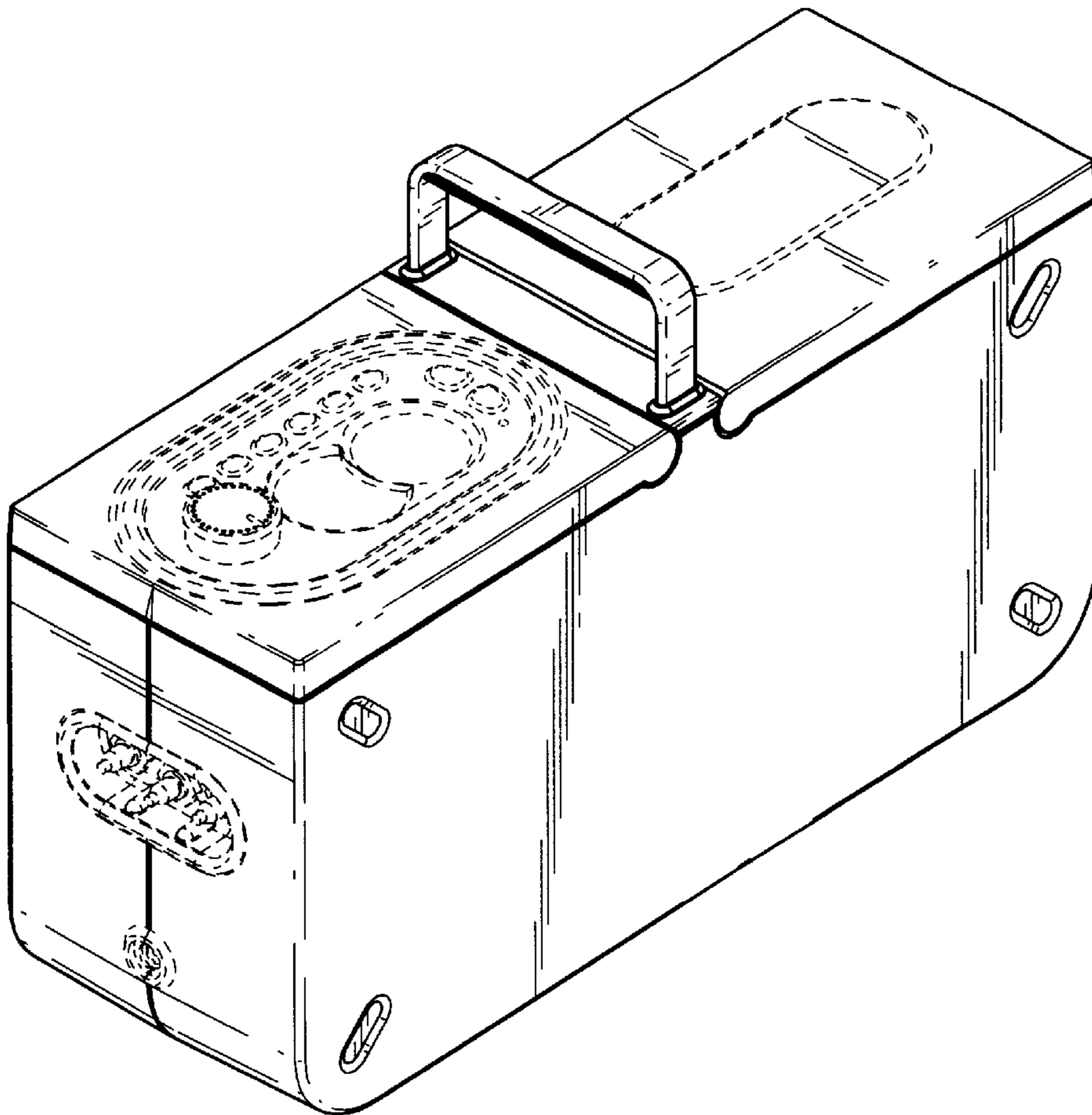
It being understood that the broken lines are for illustrative purposes only.

(56) **References Cited**

U.S. PATENT DOCUMENTS

D352,295 S * 11/1994 Morgan D15/9
D403,330 S * 12/1998 Williams D15/9

1 Claim, 3 Drawing Sheets



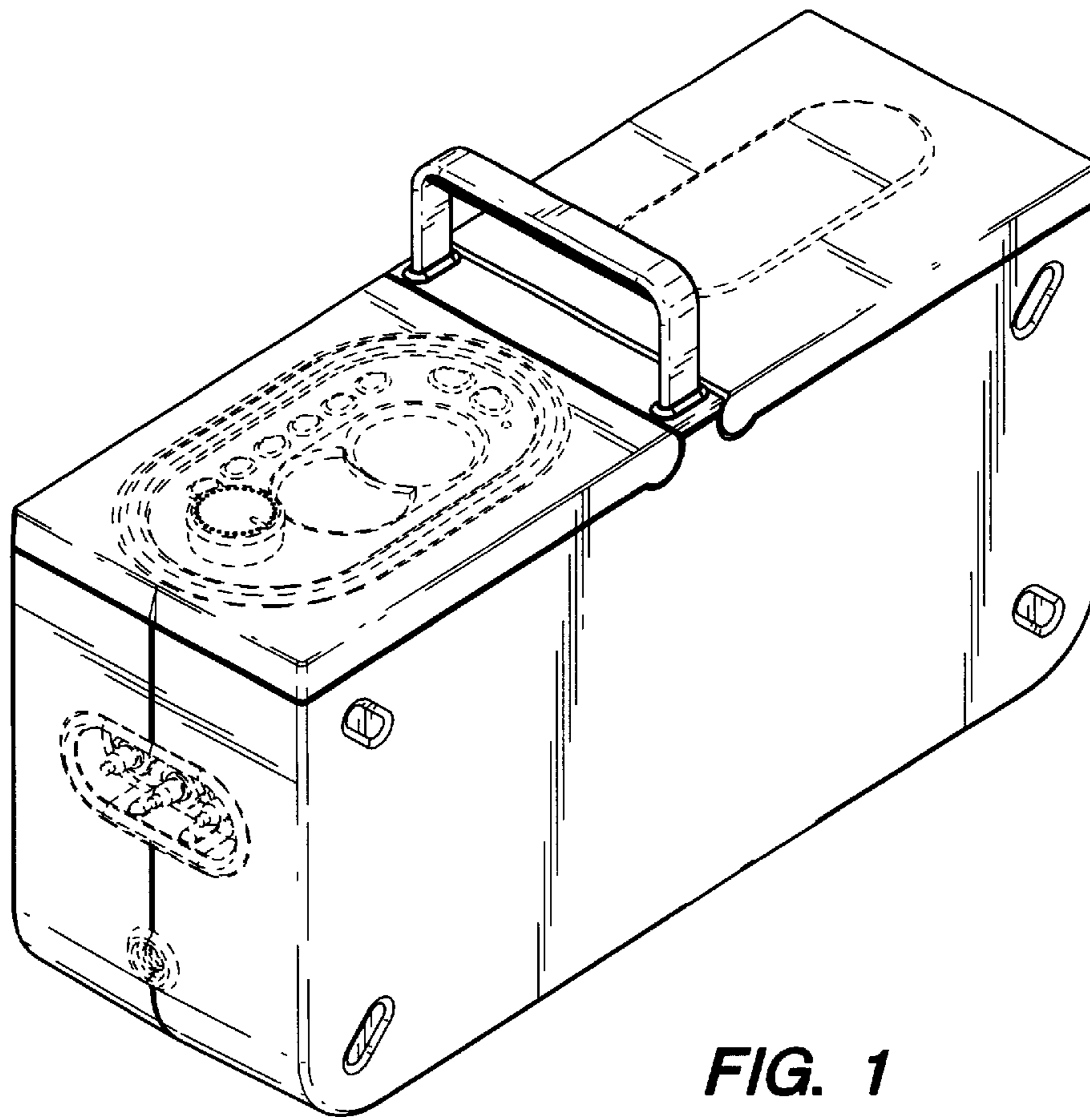


FIG. 1

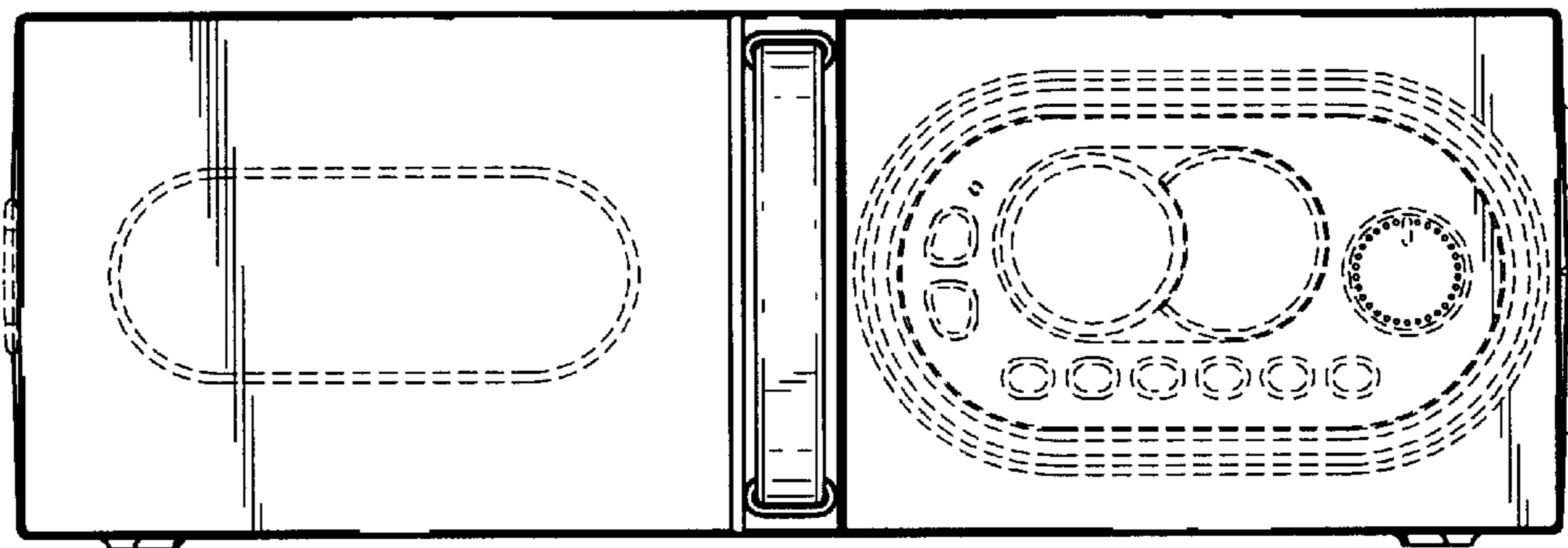


FIG. 2

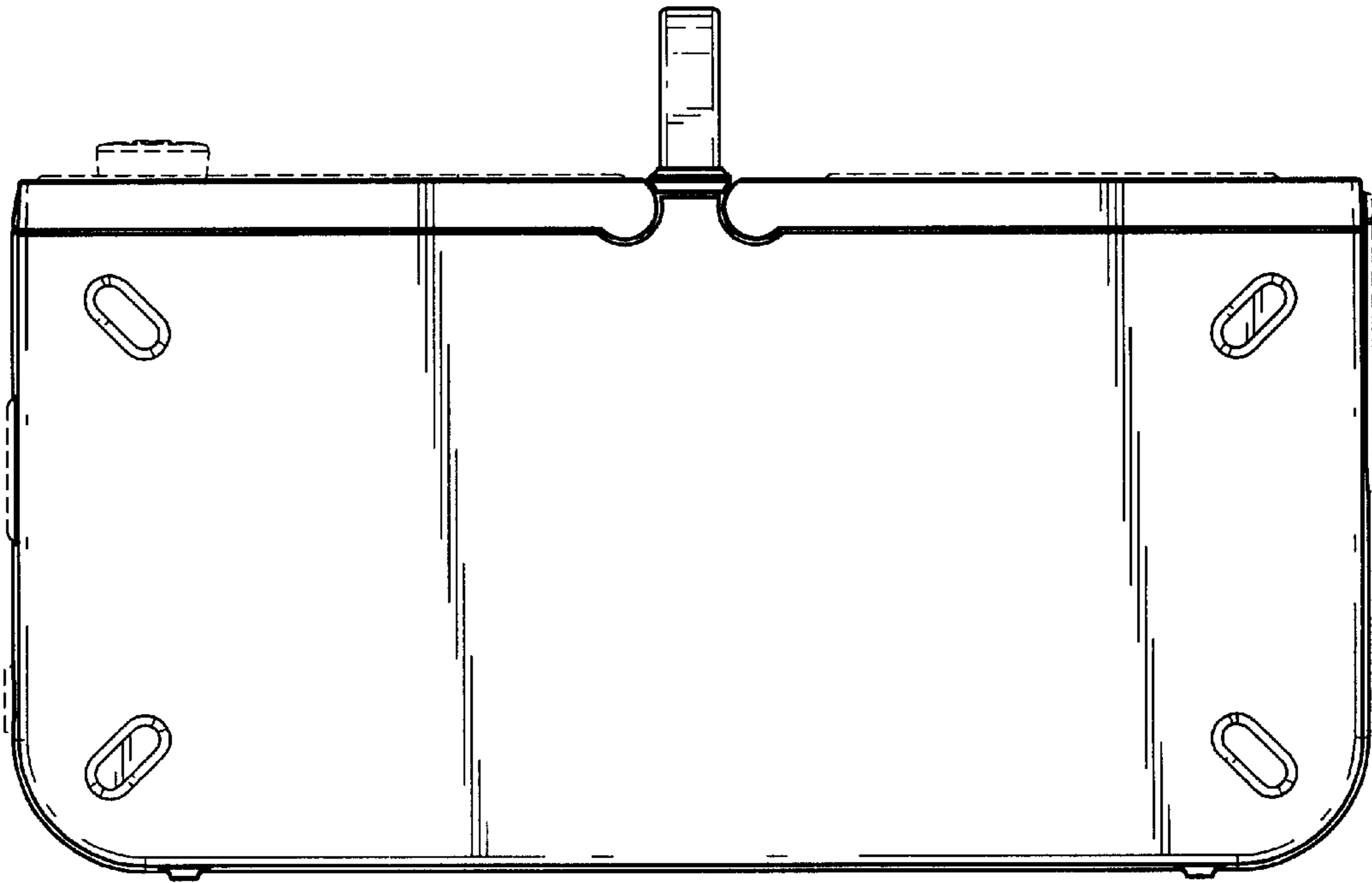


FIG. 3

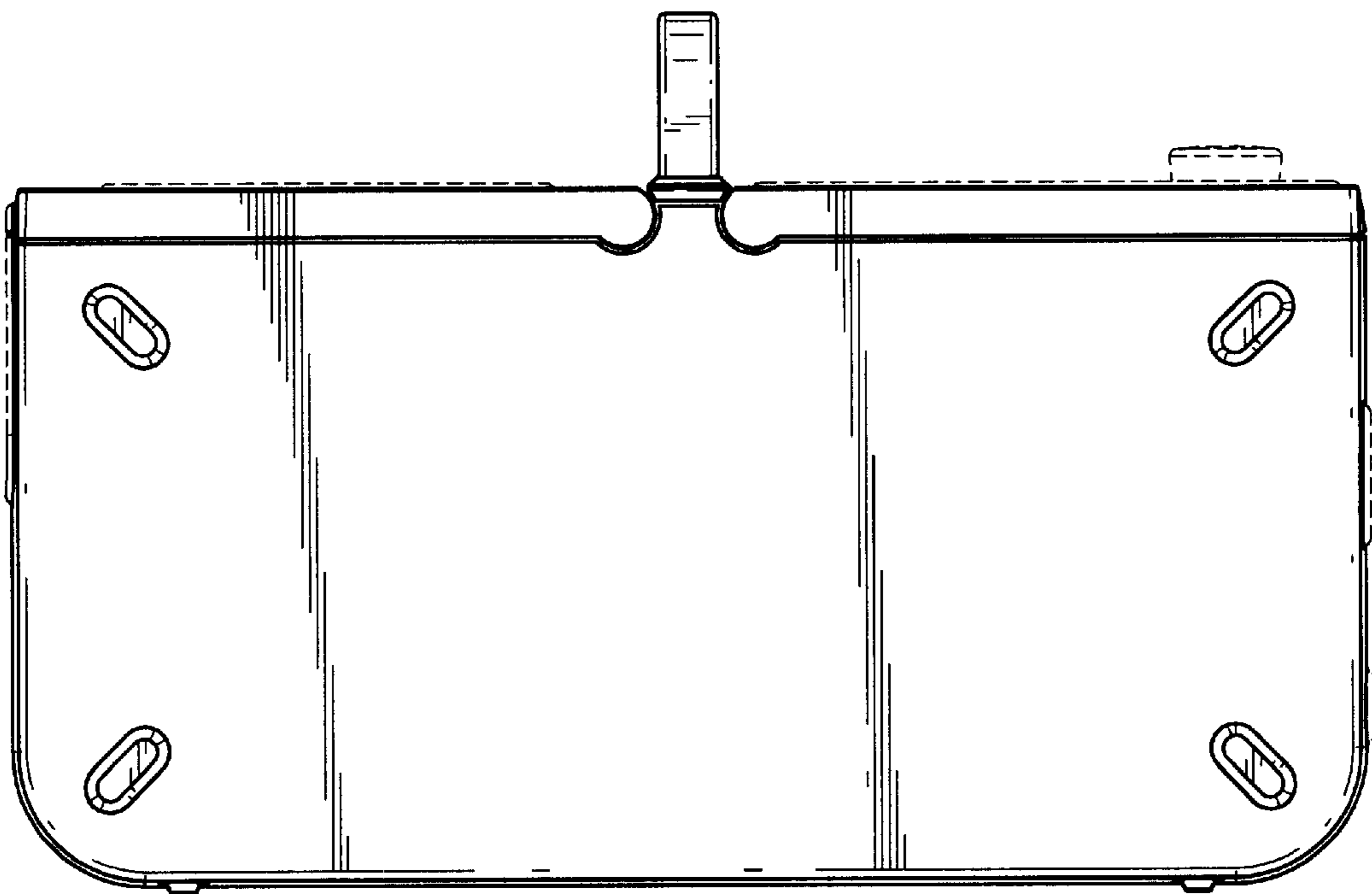


FIG. 4

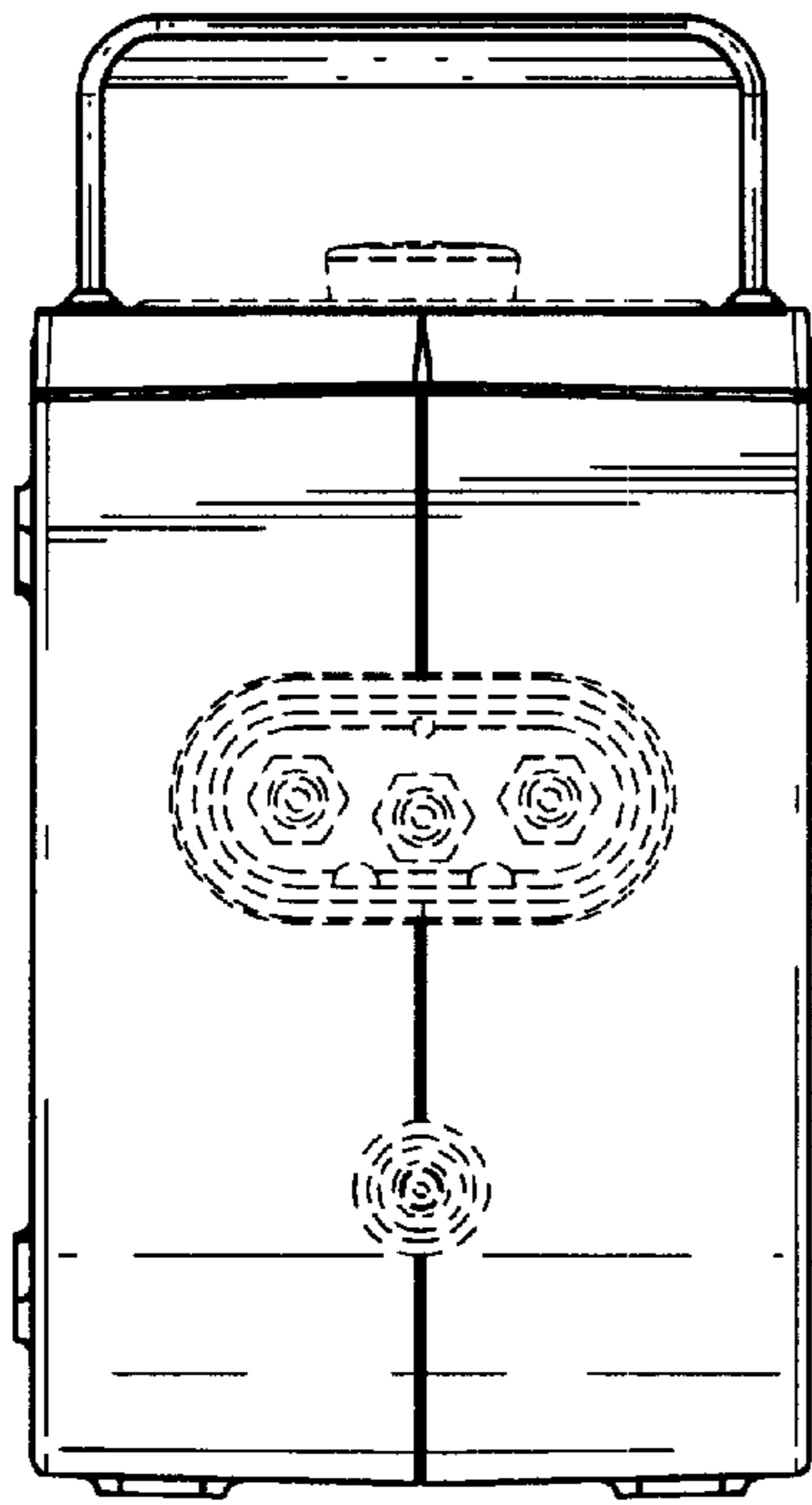


FIG. 5

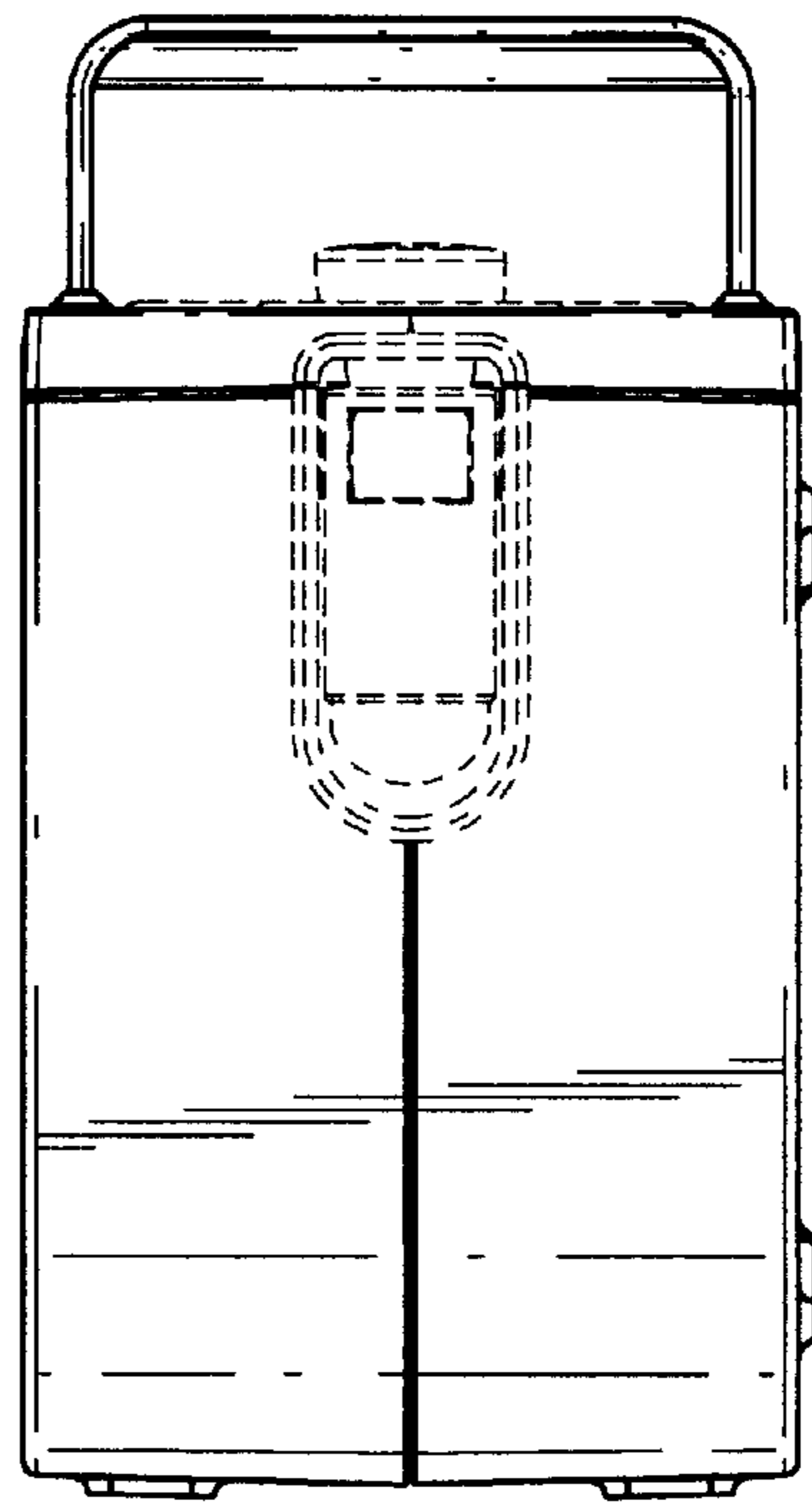


FIG. 6



FIG. 7