



US00D476994S

(12) **United States Design Patent**
Simmons et al.

(10) **Patent No.:** **US D476,994 S**

(45) **Date of Patent:** **** Jul. 8, 2003**

(54) **USER INTERFACE FOR A TELEVISION DISPLAY SCREEN**

(75) Inventors: **Kerry Ryan Simmons**, Seattle, WA (US); **Julie A. Hammerquist**, Kirkland, WA (US); **Travis C. Johnson**, Edmonds, WA (US); **Deborah E. Ro**, Seattle, WA (US); **Lisa M. Wilkins**, Seattle, WA (US)

(73) Assignee: **Digeo, Inc.**, Kirkland, WA (US)

(**) Term: **14 Years**

(21) Appl. No.: **29/143,970**

(22) Filed: **Jun. 22, 2001**

(51) **LOC (7) Cl.** **14-02**

(52) **U.S. Cl.** **D14/486**

(58) **Field of Search** D14/485-95; D18/24-33; D19/6; D20/11; D21/324-33; 345/700-26, 764-862

(56) **References Cited**

U.S. PATENT DOCUMENTS

D427,202 S * 6/2000 Chatfield et al.

D437,858 S * 2/2001 Yasui et al.

D444,793 S * 7/2001 Richter

D445,801 S * 7/2001 Ma

D450,324 S * 11/2001 Istvan et al.

D454,355 S * 3/2002 Yoshioka

* cited by examiner

Primary Examiner—M. H. Tung

(74) *Attorney, Agent, or Firm*—Kory D. Christensen; Stoel Rives LLP

(57) **CLAIM**

The ornamental design for a user interface for a television display screen, as shown and described.

DESCRIPTION

FIG. 1 is a front view of a user interface on a television display screen showing our new design;

FIG. 2 is a front view of a second embodiment thereof;

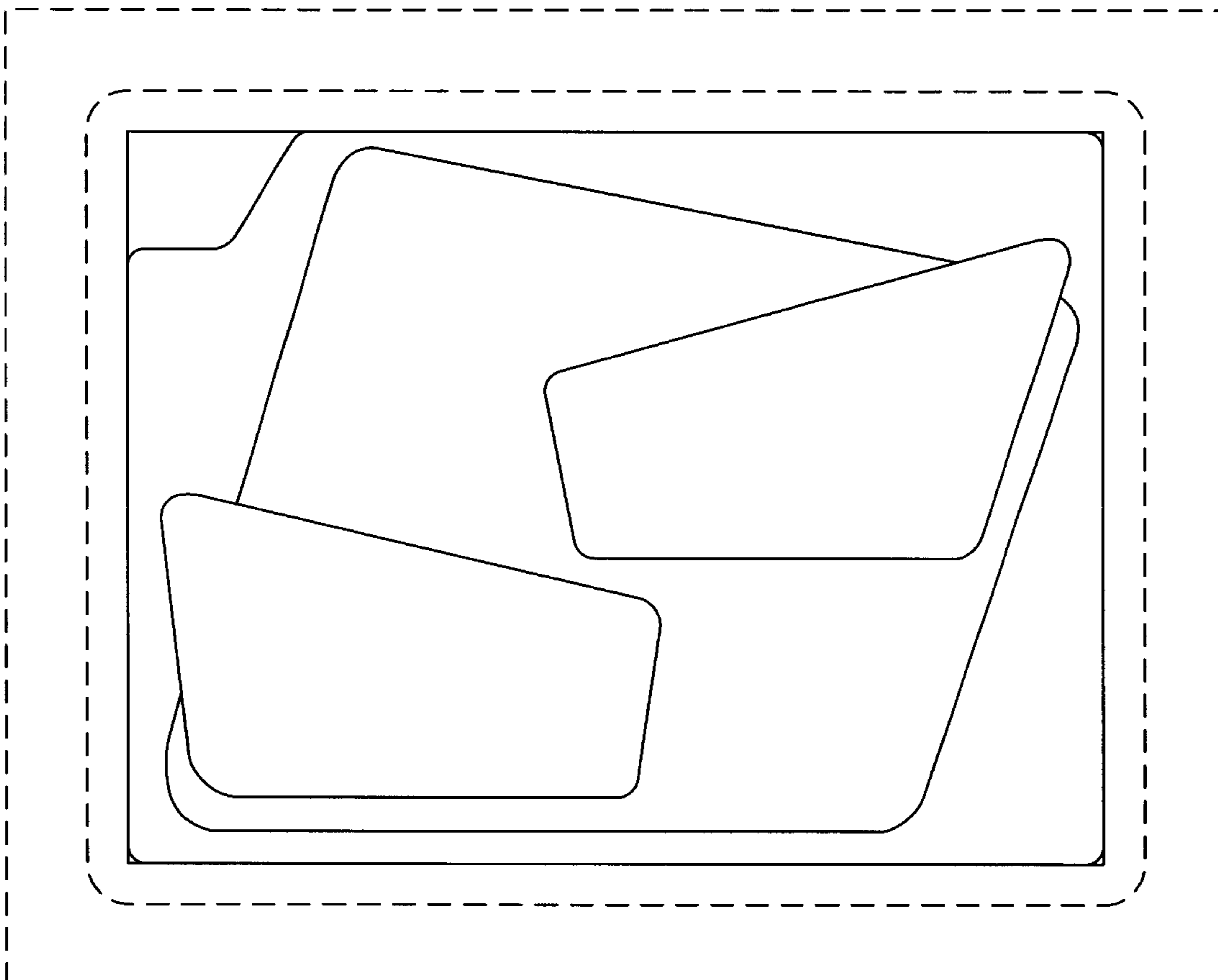
FIG. 3 is a front view of a third embodiment thereof;

FIG. 4 is a front view of a fourth embodiment thereof; and,

FIG. 5 is a front view of a fifth embodiment thereof.

The broken line drawing of a television display screen in all views is for illustrative purposes only and forms no part of the claimed design.

1 Claim, 5 Drawing Sheets



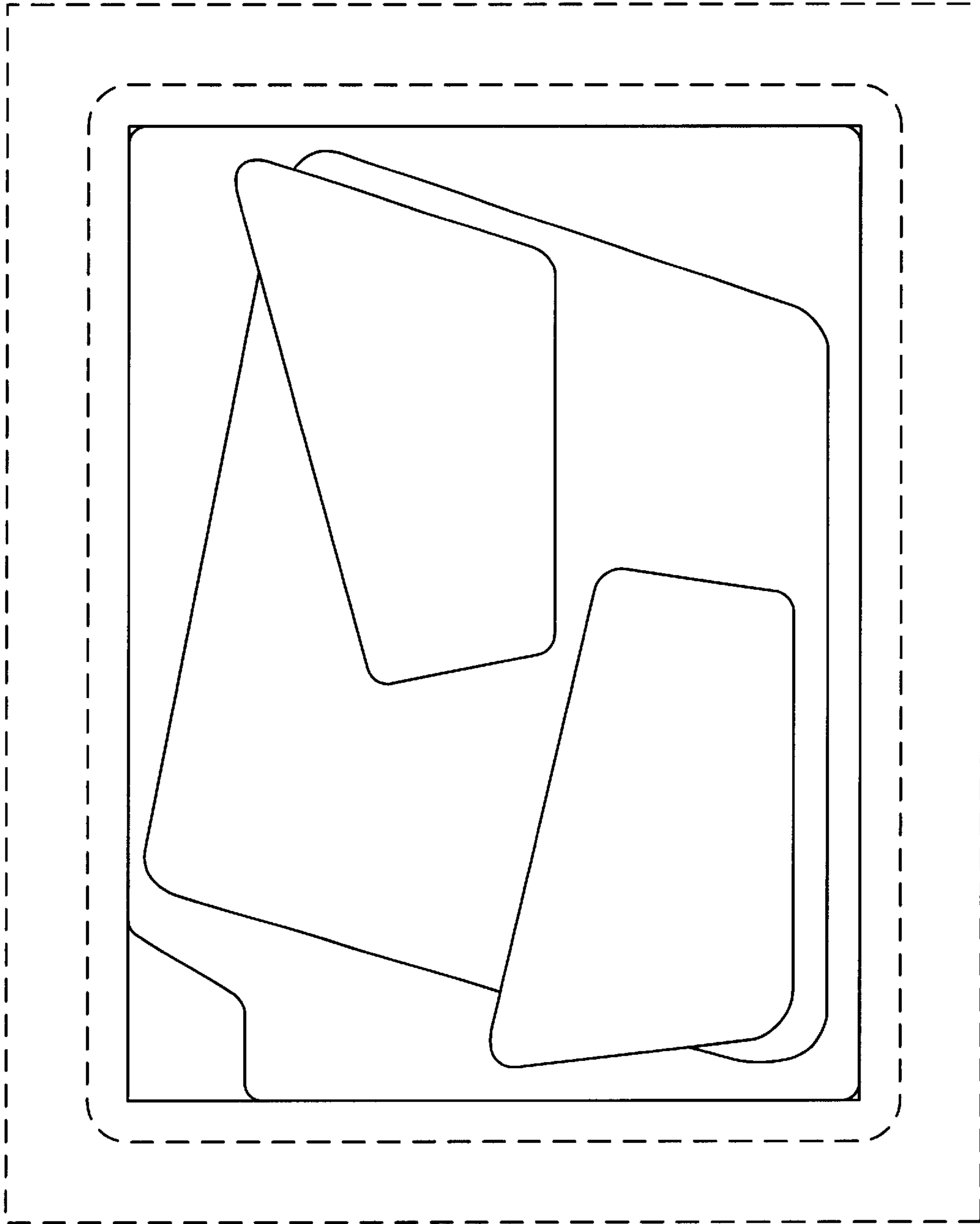


FIG. 1

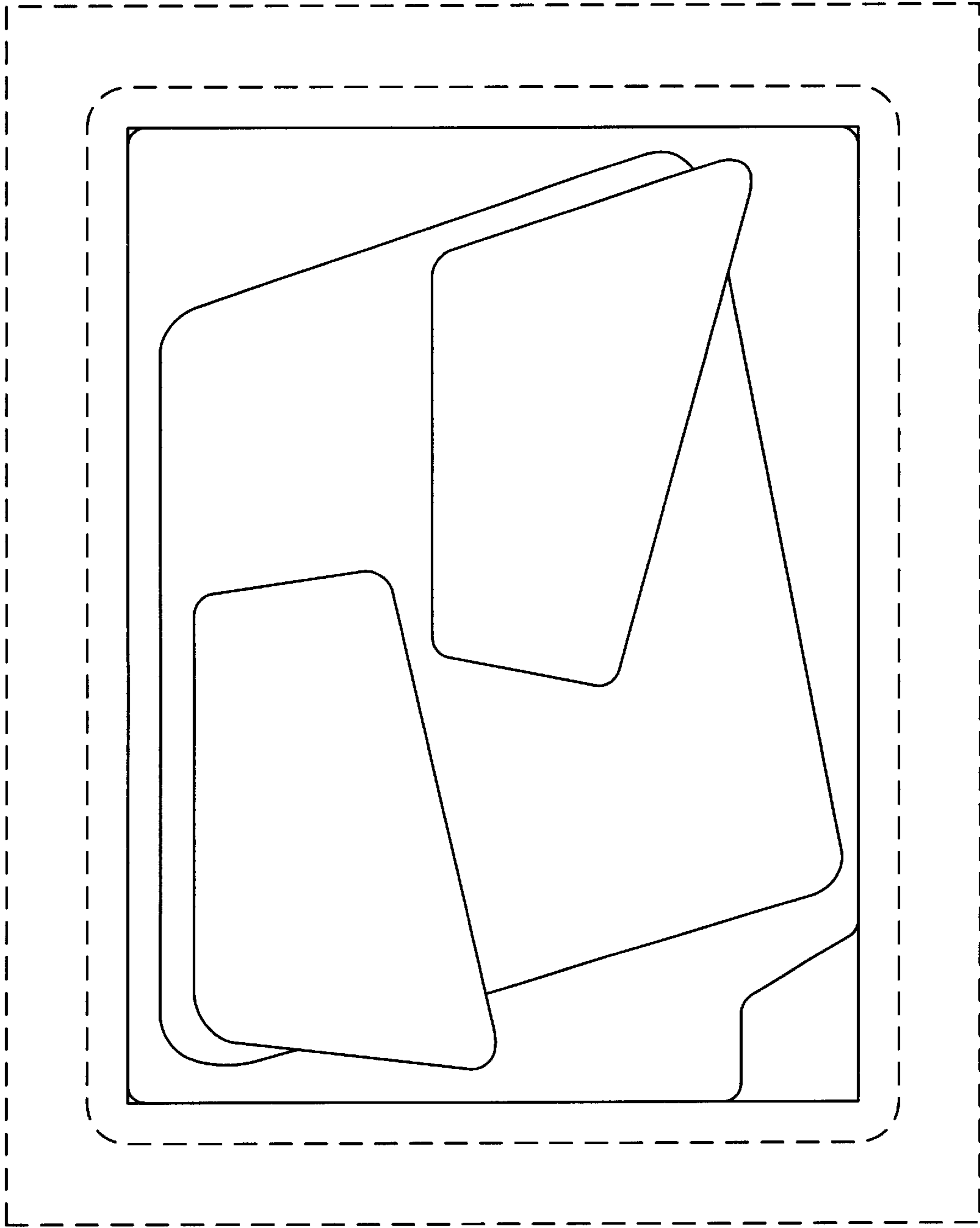


FIG. 2

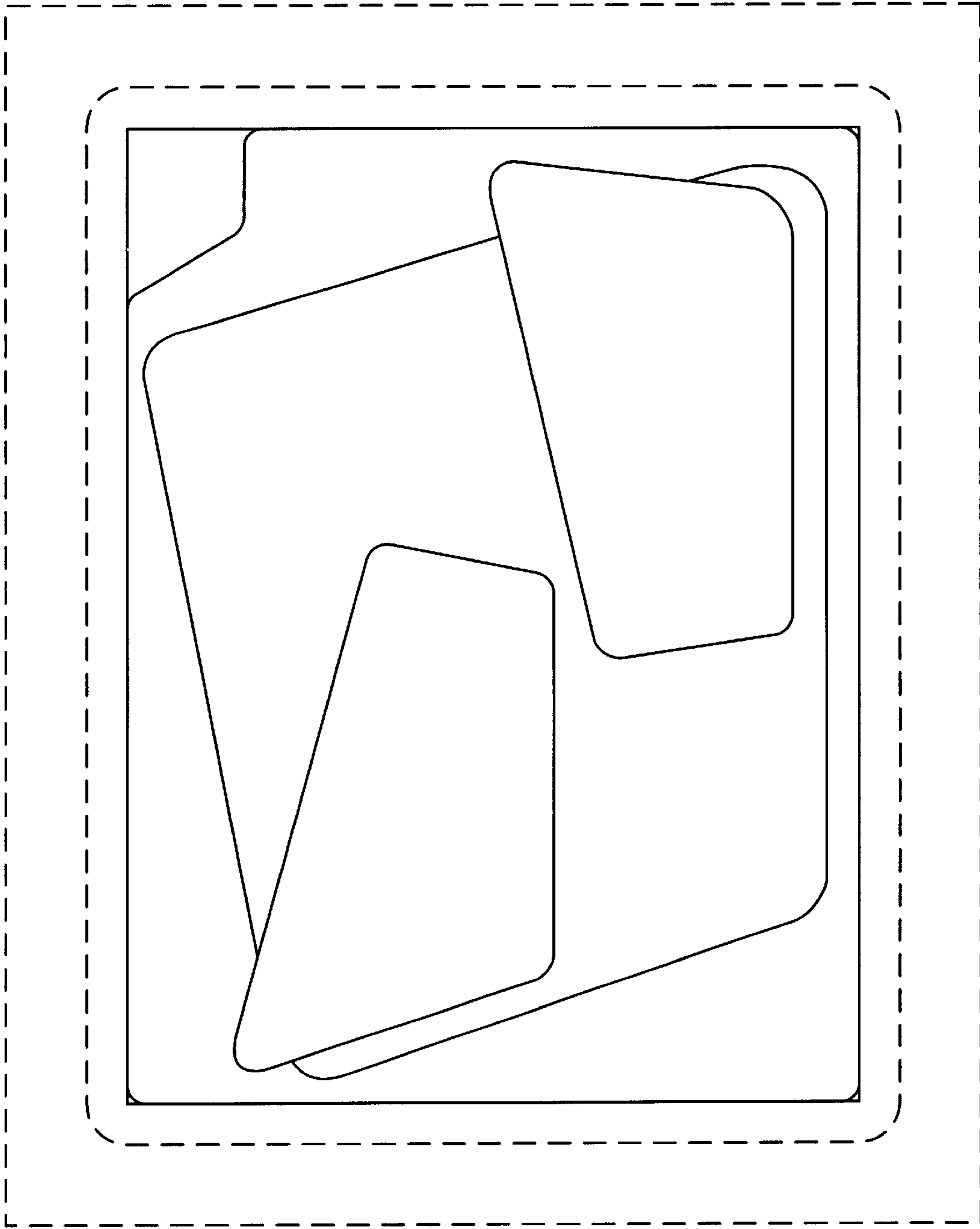


FIG. 3

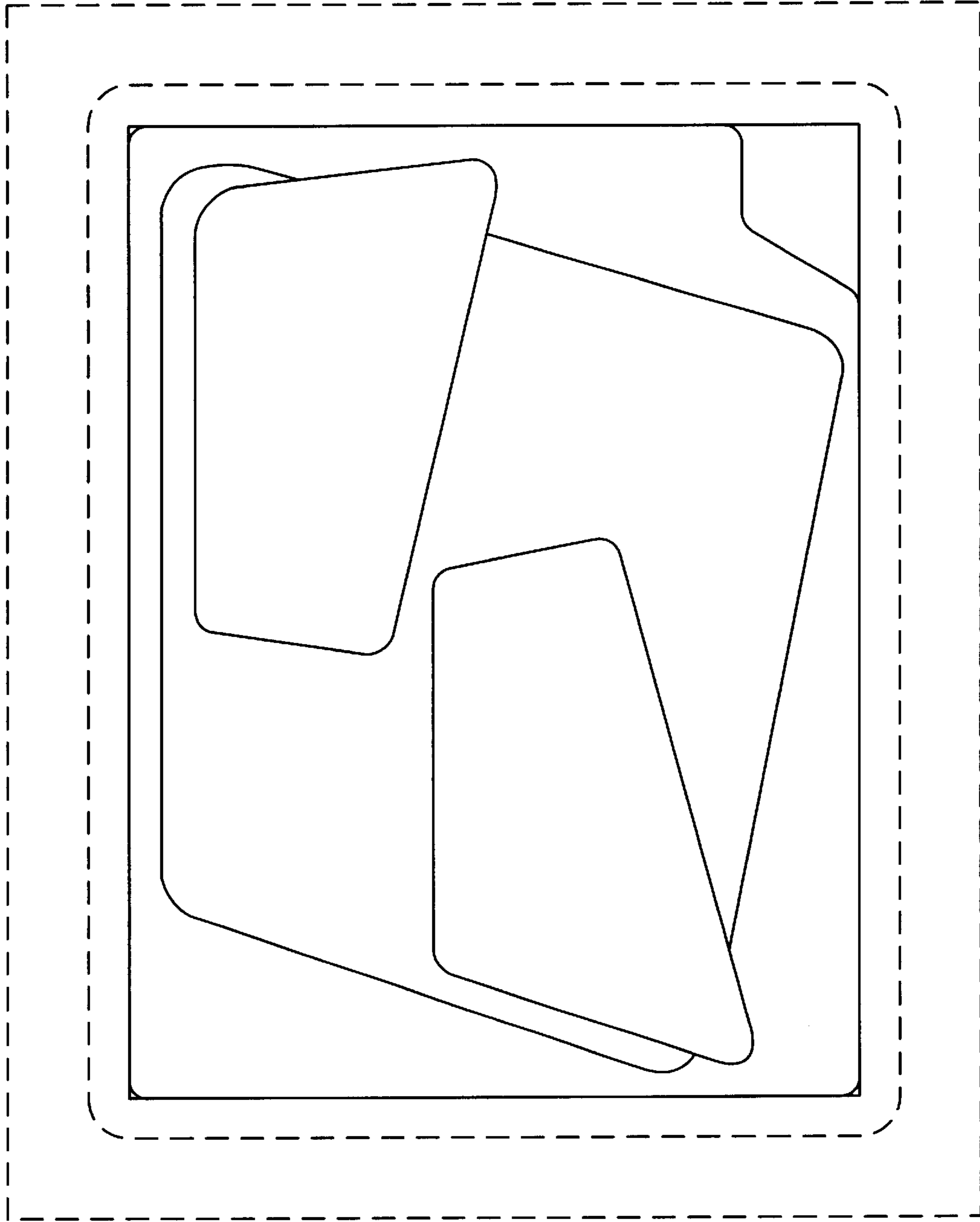


FIG. 4

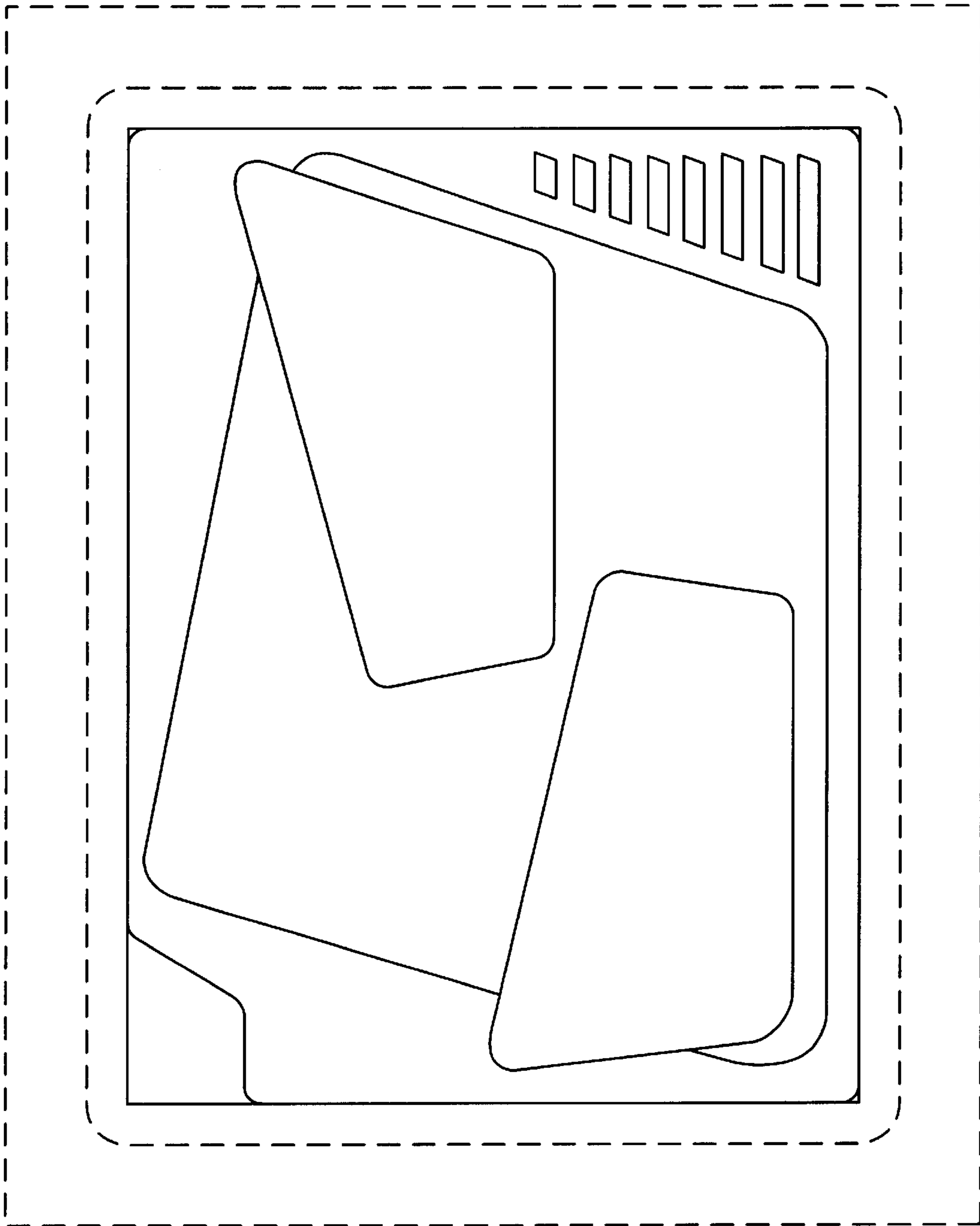


FIG. 5