



US00D476986S

(12) **United States Design Patent**
Andre et al.

(10) **Patent No.: US D476,986 S**

(45) **Date of Patent: ** Jul. 8, 2003**

(54) **SERVER**

(75) Inventors: **Bartley K. Andre**, Menlo Park, CA (US); **Daniel J. Coster**, San Francisco, CA (US); **Daniele De Iuliis**, San Francisco, CA (US); **Richard P. Howarth**, San Francisco, CA (US); **Jonathan P. Ive**, San Francisco, CA (US); **Duncan Robert Kerr**, San Francisco, CA (US); **Matthew Dean Rohrbach**, San Francisco, CA (US); **Douglas B. Satzger**, San Carlos, CA (US); **Calvin Q. Seid**, Palo Alto, CA (US); **Christopher J. Stringer**, Pacifica, CA (US); **Eugene Antony Whang**, San Francisco, CA (US)

(73) Assignee: **Apple Computer, Inc.**, Cupertino, CA (US)

(**) Term: **14 Years**

(21) Appl. No.: **29/160,725**

(22) Filed: **May 14, 2002**

(51) **LOC (7) Cl.** **14-02**

(52) **U.S. Cl.** **D14/313; D14/301**

(58) **Field of Search** **D14/356, 361-369, D14/301, 313, 214, 441; D13/162, 184, 199; 312/223.1-223.3; 360/99.01-99.12; 361/690-696, 680-686; 369/34.01, 36.01**

(56) **References Cited**

U.S. PATENT DOCUMENTS

D231,464 S	*	4/1974	Dalke	D14/313
D411,985 S	*	7/1999	Hartel	D14/313
D431,239 S	*	9/2000	Sasago	D14/214
D447,483 S	*	9/2001	Wu	D14/441

* cited by examiner

Primary Examiner—Freda Nunn
(74) *Attorney, Agent, or Firm*—Beyer Weaver & Thomas, LLP

(57) **CLAIM**

We claim the ornamental design for a server, substantially as shown and described.

DESCRIPTION

FIG. 1 is a perspective view of a server in accordance with the present design. The server, for example, can be mounted or attached to a rack and thus can also be referred to as a rack mount server.

FIG. 2 is a front view for the server shown in FIG. 1.

FIG. 3 is a rear view for the server shown in FIG. 1.

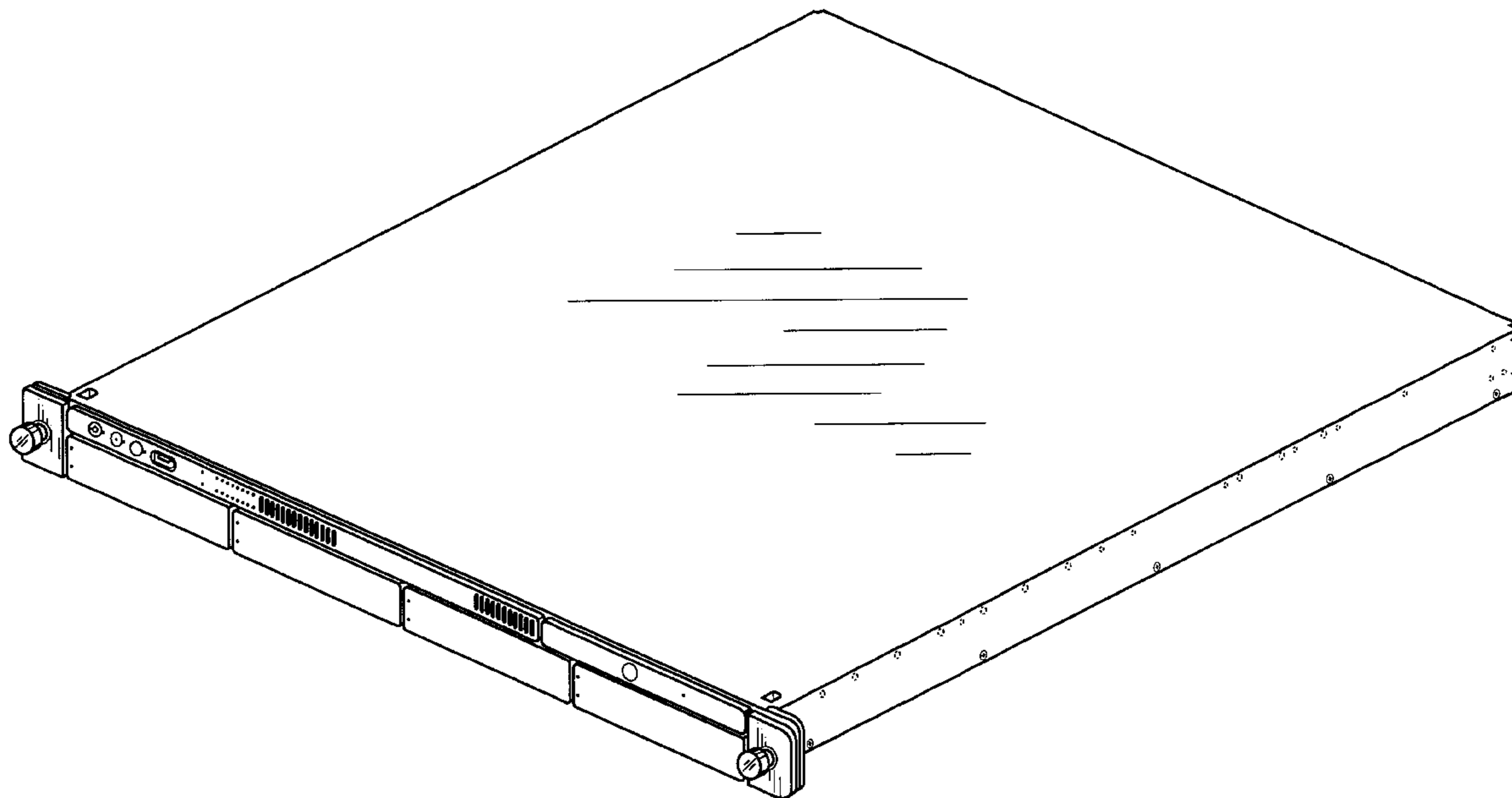
FIG. 4 is a left side view for the server shown in FIG. 1.

FIG. 5 is a right side view for the server shown in FIG. 1.

FIG. 6 is a top view for the server shown in FIG. 1; and,

FIG. 7 is a bottom view for the server shown in FIG. 1.

1 Claim, 5 Drawing Sheets



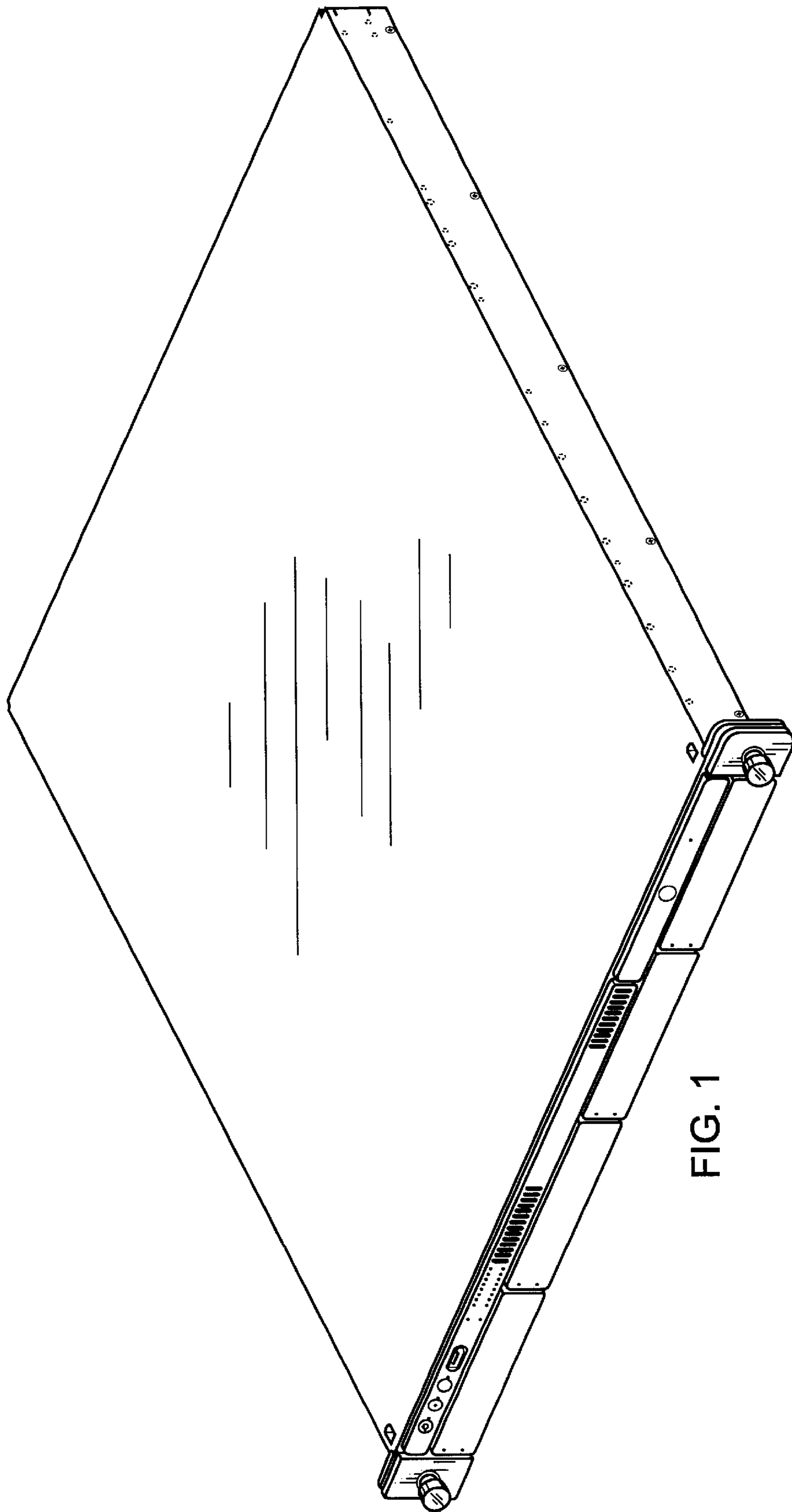


FIG. 1

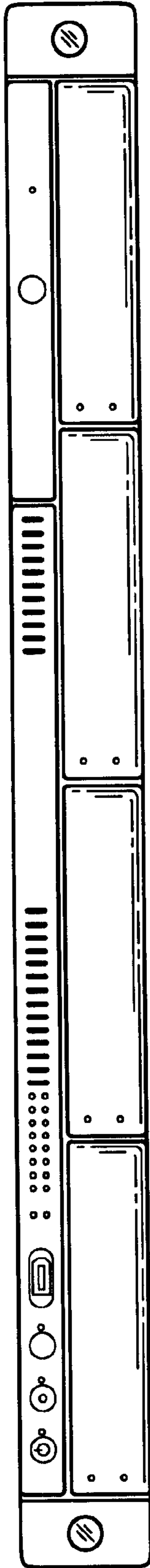


FIG. 2

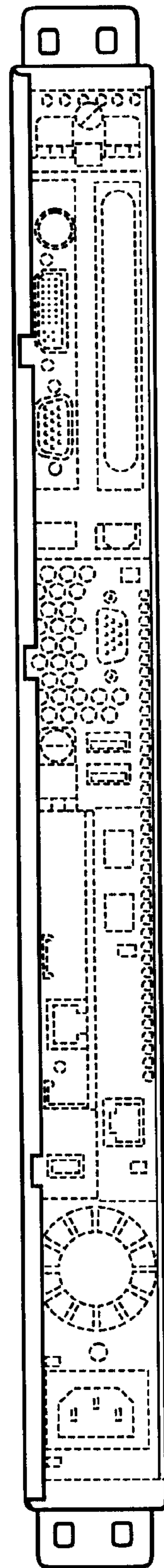


FIG. 3

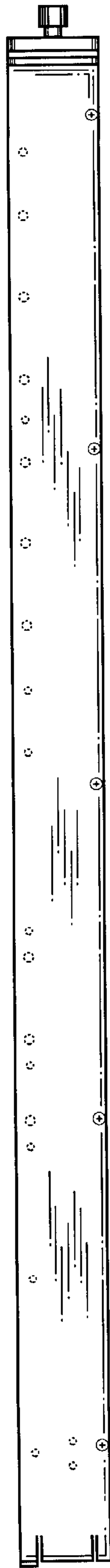


FIG. 4

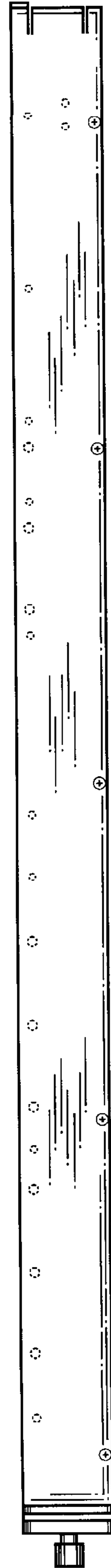


FIG. 5

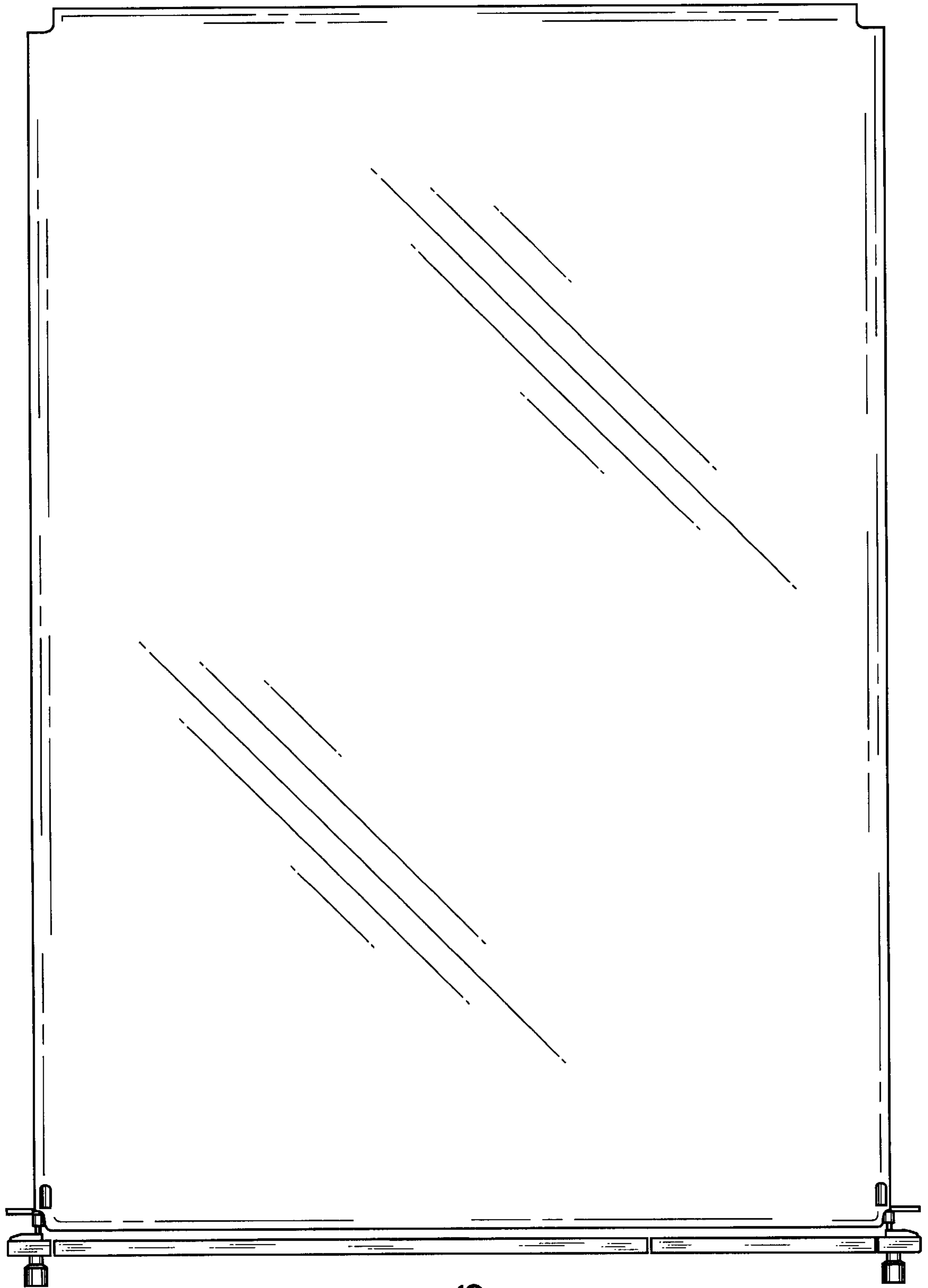


FIG. 6

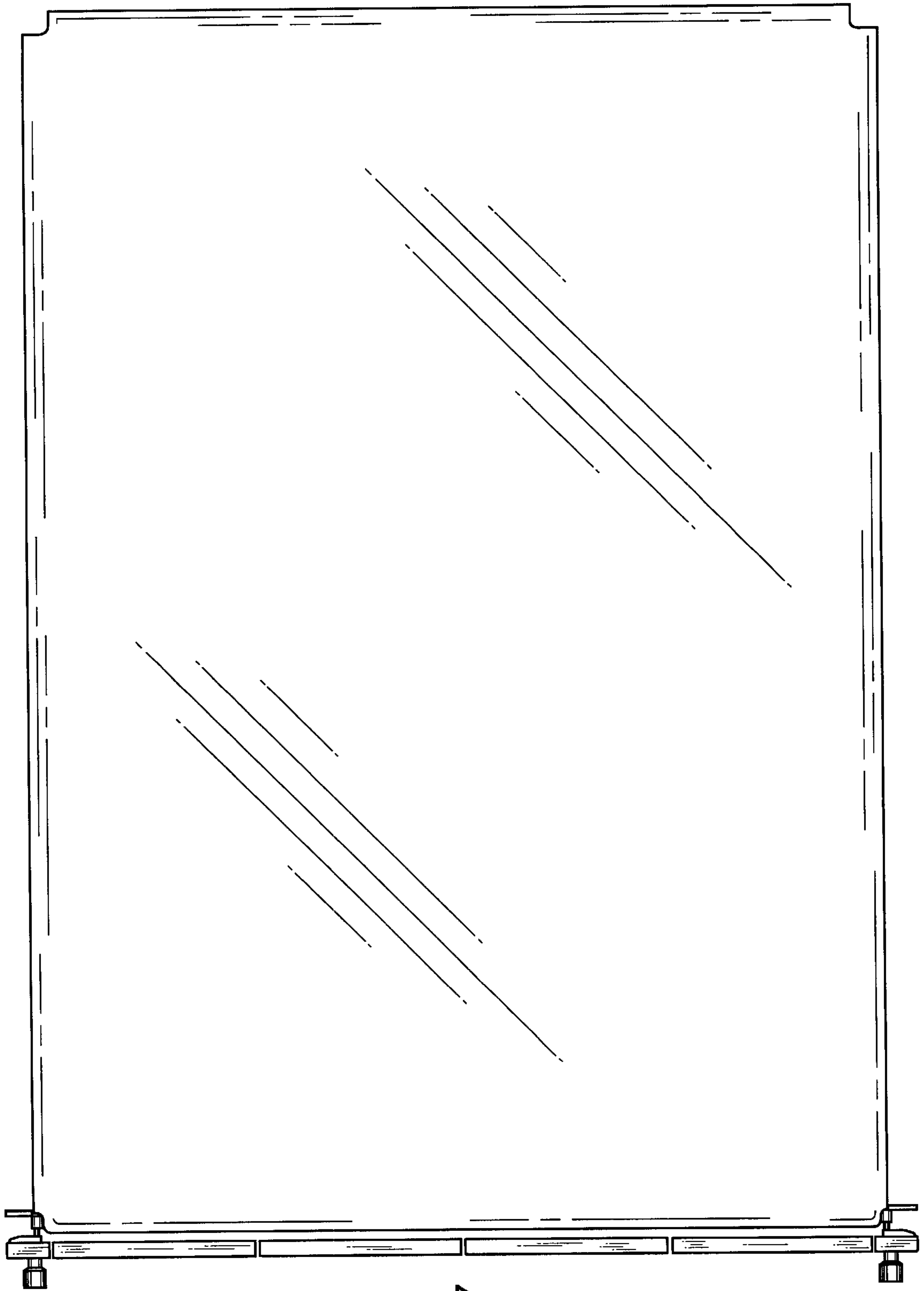


FIG. 7

UNITED STATES PATENT AND TRADEMARK OFFICE
CERTIFICATE OF CORRECTION

PATENT NO. : Des. 476,986 S
DATED : July 8, 2003
INVENTOR(S) : Andre et al.

Page 1 of 1

It is certified that error appears in the above-identified patent and that said Letters Patent is hereby corrected as shown below:

Title page,

Item [75], Inventors, change inventor's name from "**Eugene Antony Whang**" to
-- **Eugene Anthony Whang** --.

Signed and Sealed this

Sixteenth Day of September, 2003

A handwritten signature in black ink, appearing to read "James E. Rogan", with a horizontal line underneath.

JAMES E. ROGAN
Director of the United States Patent and Trademark Office