



US00D476981S

(12) **United States Design Patent**  
**Dugas et al.**

(10) **Patent No.:** **US D476,981 S**  
(45) **Date of Patent:** **\*\* Jul. 8, 2003**

(54) **COMMUNICATION MODULE**

(75) Inventors: **Roger Dugas**, Chester, NH (US);  
**Richard Stack**, Amherst, NH (US);  
**Keith Kang**, Hollis, NH (US); **Mark Czoschke**, Bedford, NH (US); **John Trezza**, Nashua, NH (US)

(73) Assignee: **Xanoptix, Inc.**, Merrimack, NH (US)

(\*\*) Term: **14 Years**

(21) Appl. No.: **29/157,454**

(22) Filed: **Mar. 18, 2002**

(51) **LOC (7) Cl.** ..... **14-03**

(52) **U.S. Cl.** ..... **D14/240**

(58) **Field of Search** ..... D14/240-256,  
D14/433, 438, 356, 357; D13/152, 160,  
161, 164, 173, 178; 439/918, 922, 954,  
620; 361/681-686, 679

(56) **References Cited**

**U.S. PATENT DOCUMENTS**

D374,663	S	*	10/1996	Rodrigues et al. ....	D14/433
5,830,016	A	*	11/1998	Chuang .....	439/620
D437,844	S	*	2/2001	Sayers et al. ....	D14/240
D449,300	S	*	10/2001	Bentz et al. ....	D14/357
D460,418	S	*	7/2002	Han .....	D13/147
D463,414	S	*	9/2002	Gao .....	D14/240
D463,426	S	*	9/2002	Cheng .....	D14/356
D465,495	S	*	11/2002	Goto .....	D14/433
6,508,671	B2	*	1/2003	Ko .....	439/610
6,533,615	B2	*	3/2003	Koide et al. ....	439/610

\* cited by examiner

*Primary Examiner*—Charles A. Rademaker  
(74) *Attorney, Agent, or Firm*—Morgan & Finnegan, LLP

(57) **CLAIM**

We claim the ornamental design for a communication module, as shown and described.

**DESCRIPTION**

FIG. 1 is a perspective view illustrating the top, front and right side of a design for a communication module;

FIG. 2 is a perspective view illustrating the bottom, front and right side of a design for the communication module illustrated in FIG. 1;

FIG. 3 is a top plan view thereof;

FIG. 4 is a front elevational view thereof;

FIG. 5 is right side elevational view thereof;

FIG. 6 is left side elevational view thereof;

FIG. 7 is a rear elevational view thereof;

FIG. 8 is a bottom plan view thereof;

FIG. 9 is a perspective view illustrating the top, front and right side of another embodiment of the design for the communication module;

FIG. 10 is a perspective view illustrating the bottom, front and right side of a design for the communication module illustrated in FIG. 9;

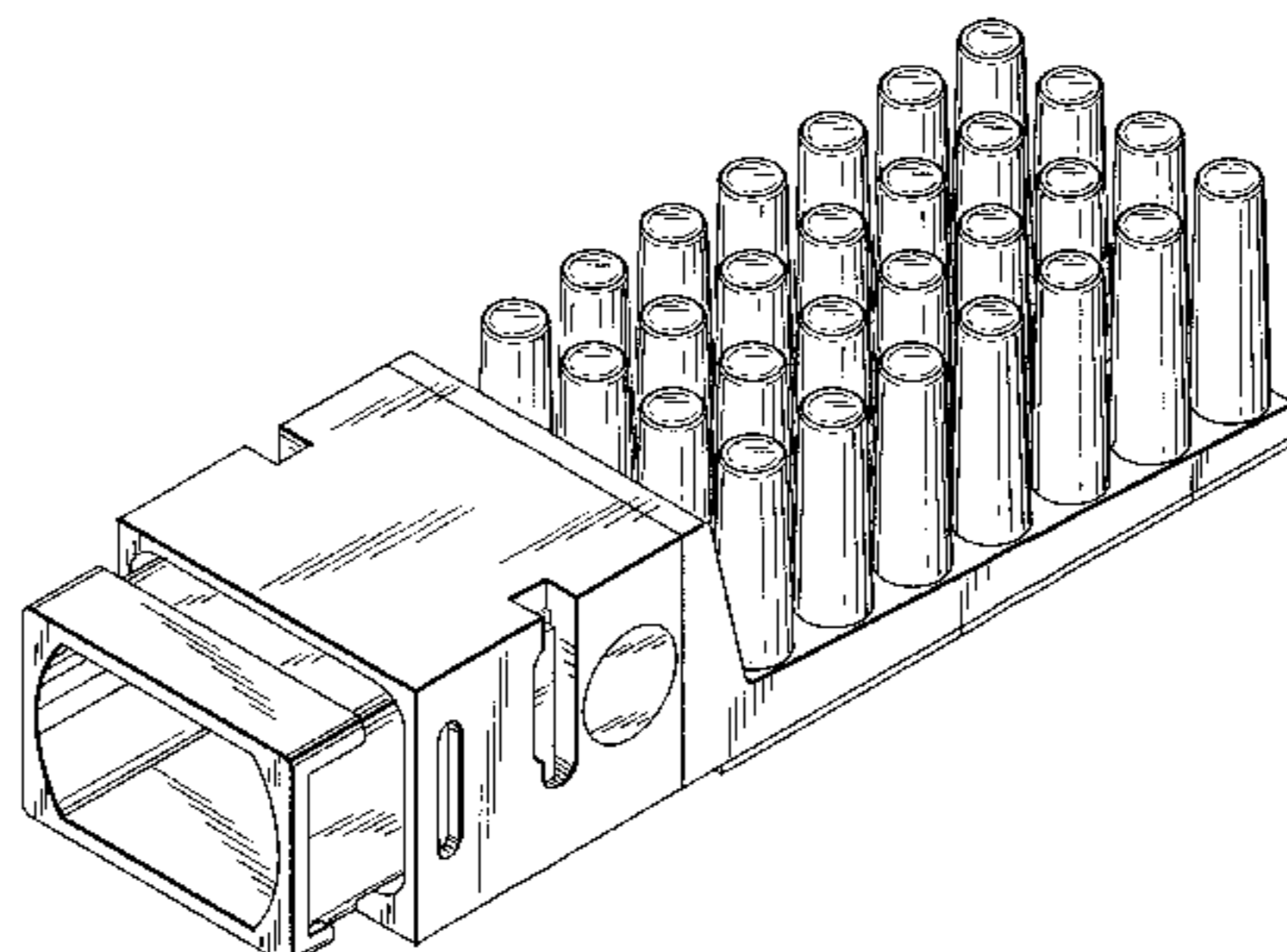
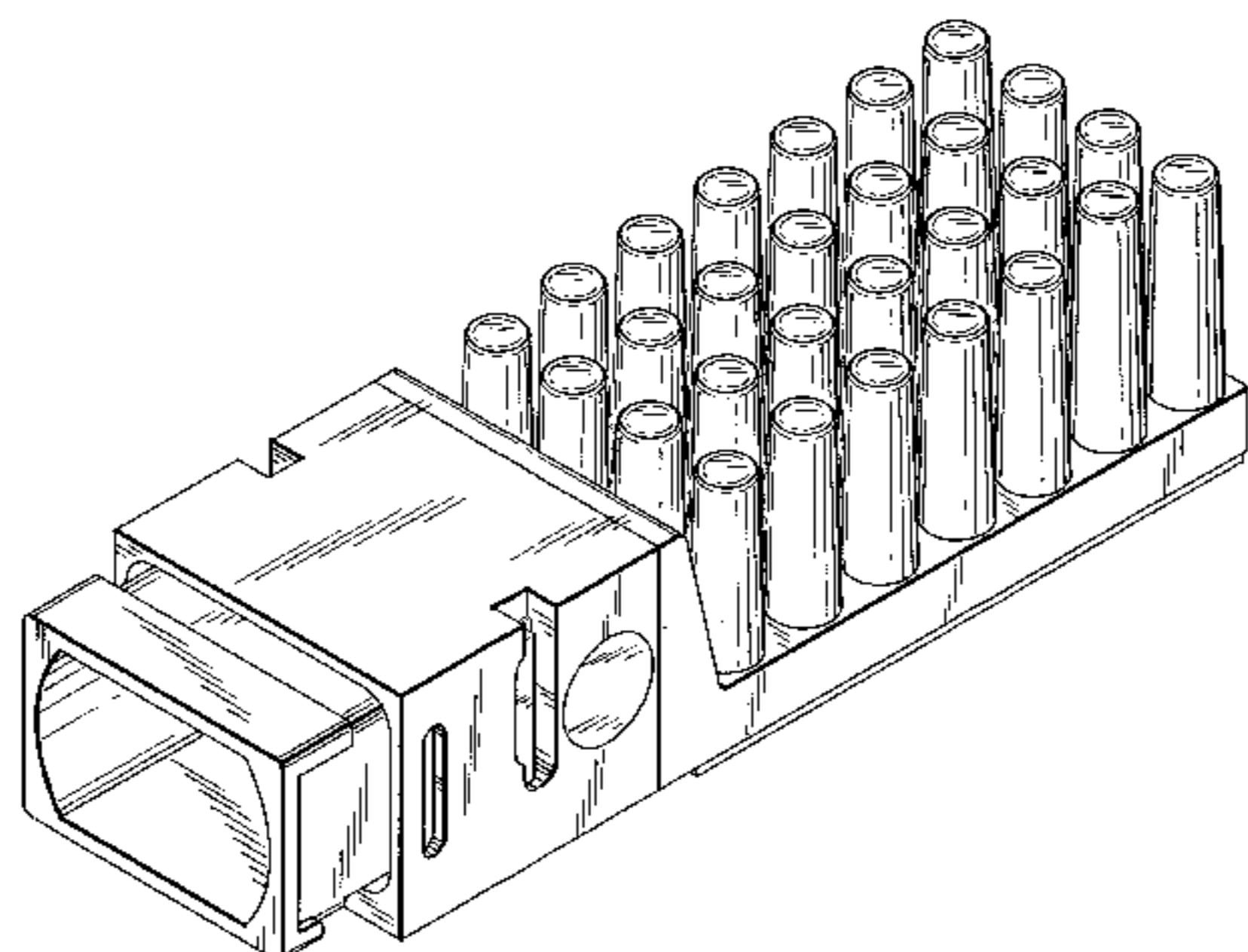
FIG. 11 is a top plan view thereof;

FIG. 12 is right side elevational view thereof;

FIG. 13 is left side elevational view thereof; and,

FIG. 14 is a rear elevational view thereof.

**1 Claim, 9 Drawing Sheets**



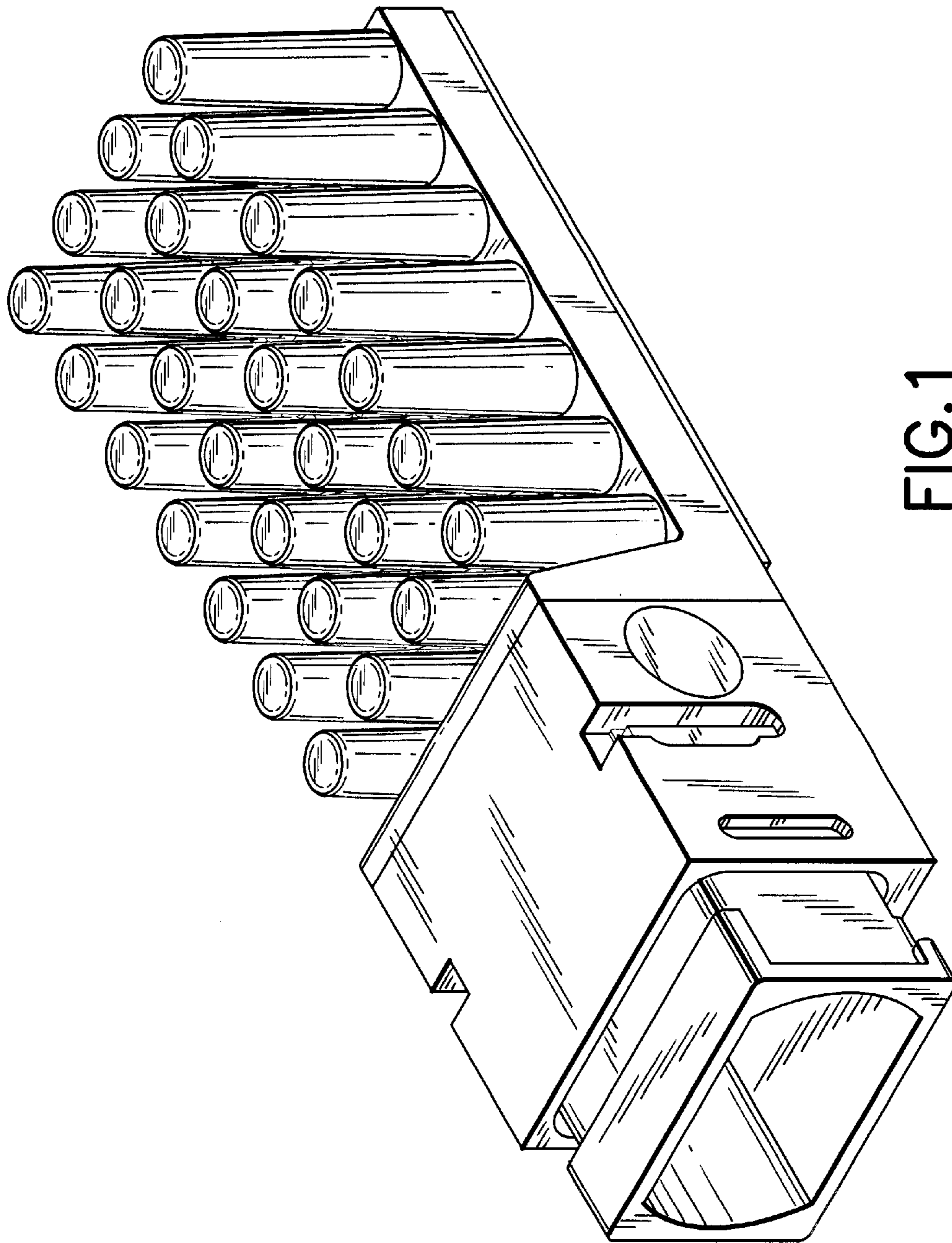


FIG. 1

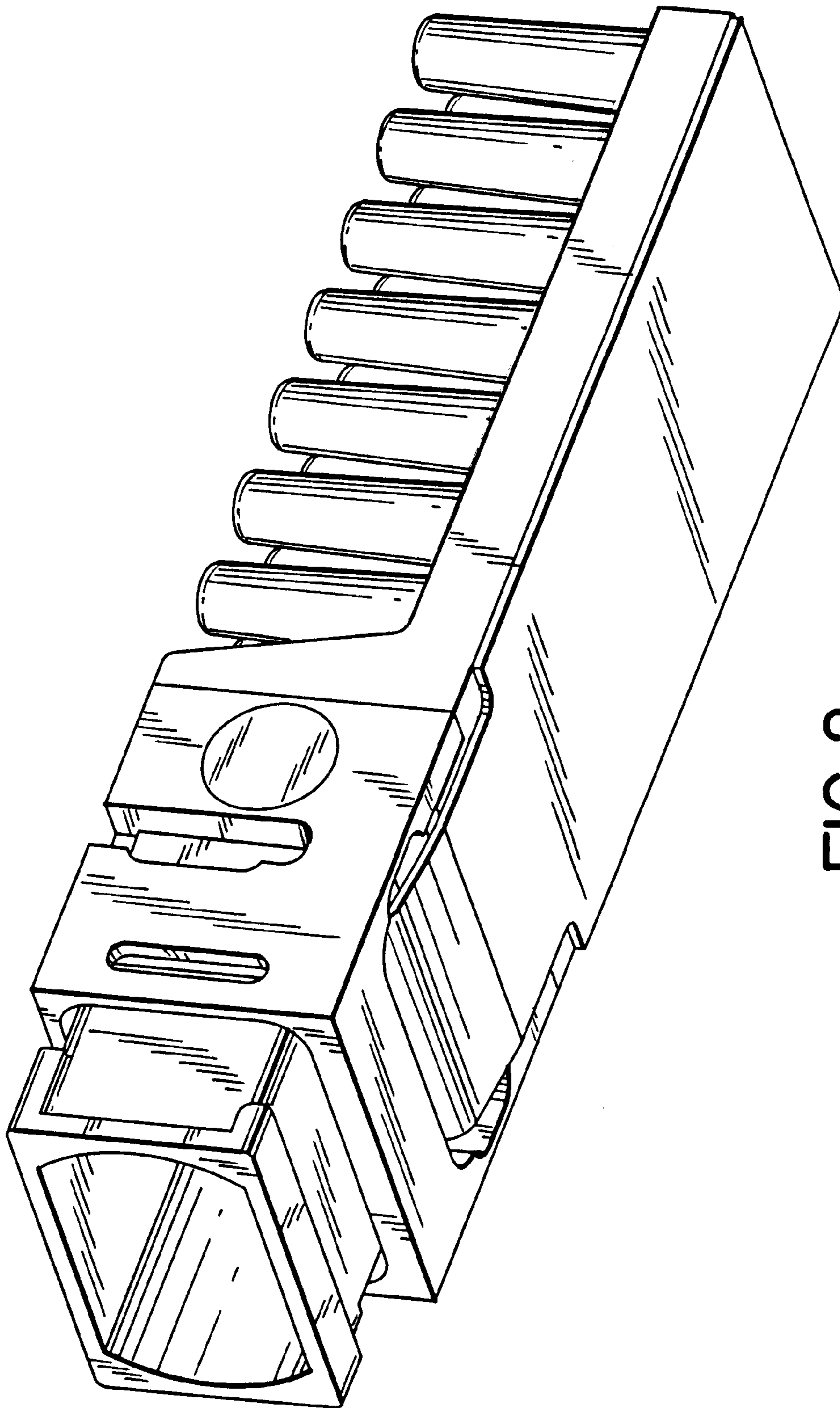


FIG. 2

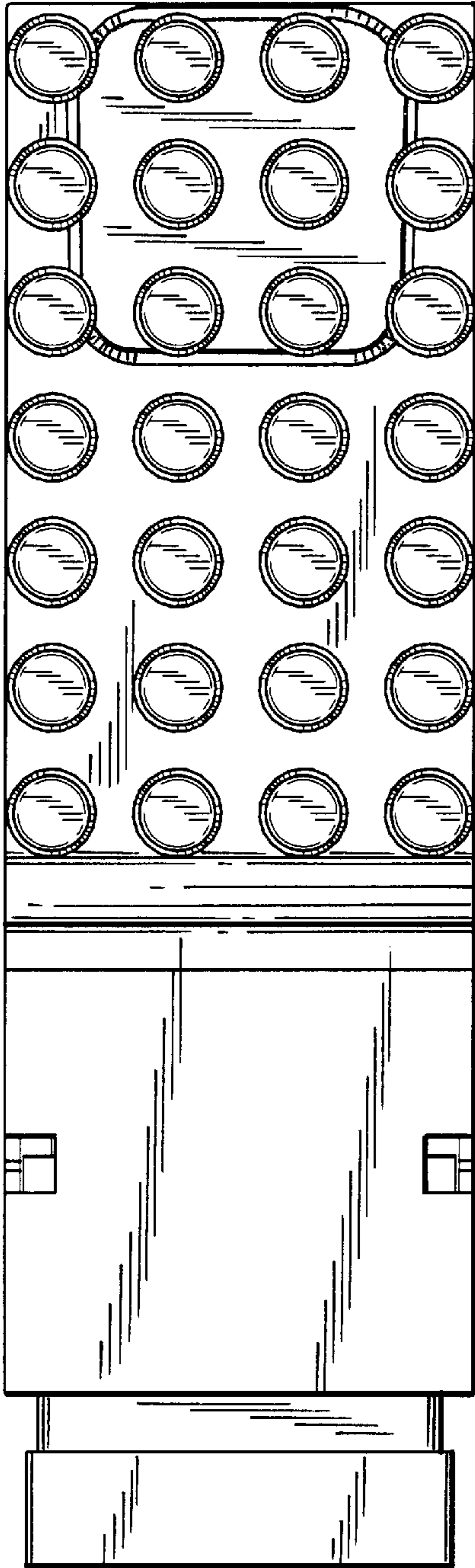


FIG. 3

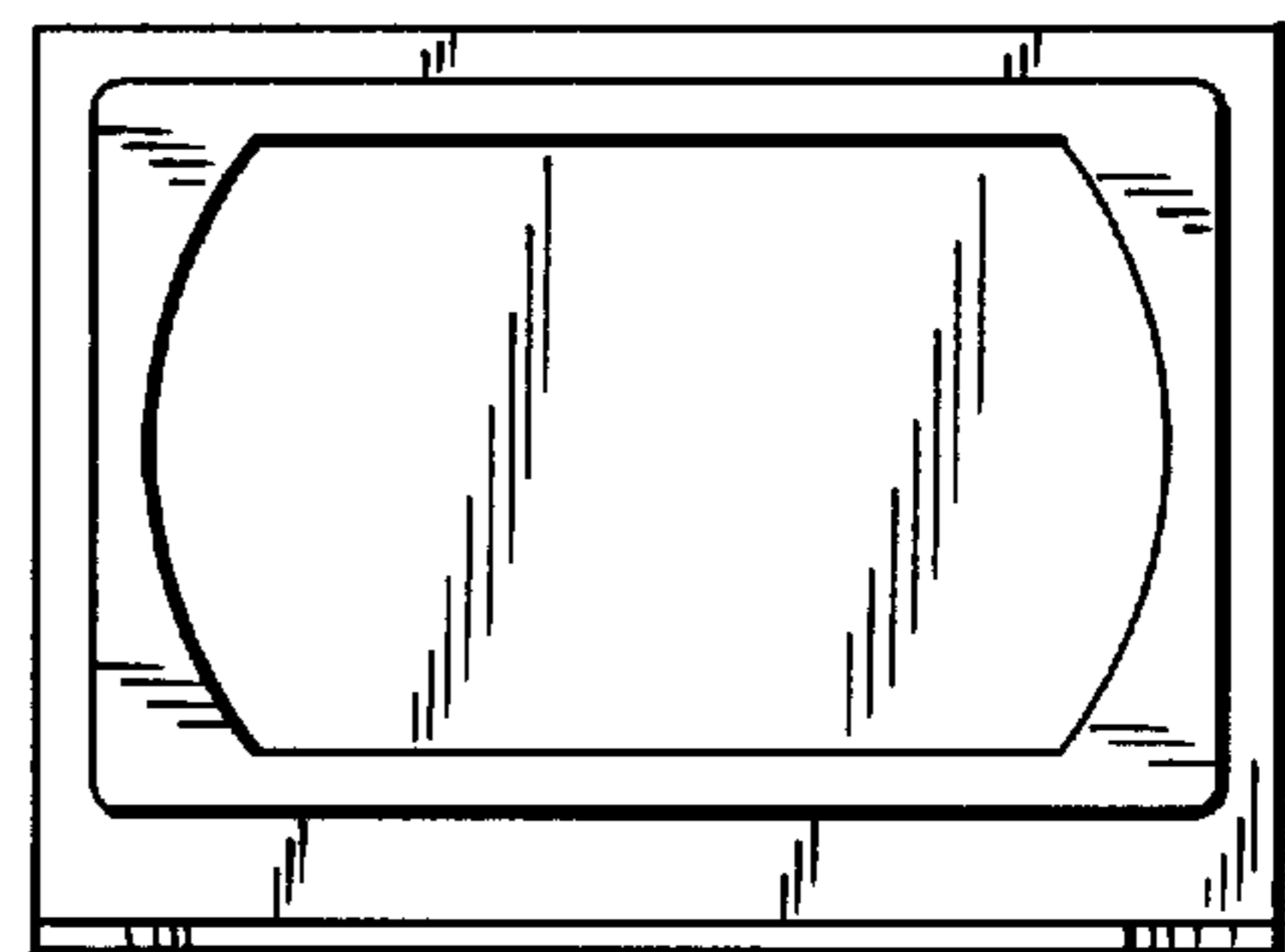


FIG. 4

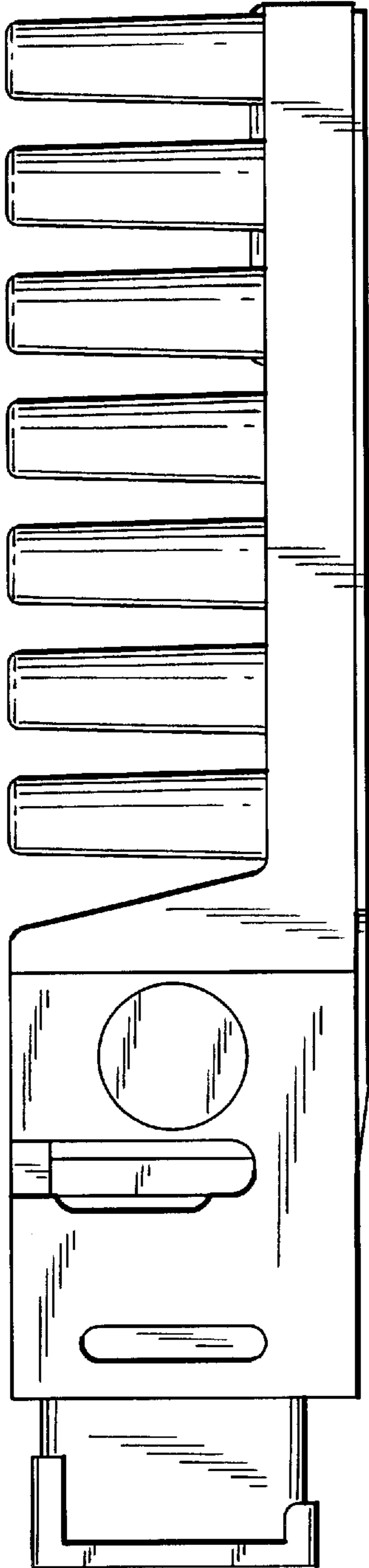


FIG. 5

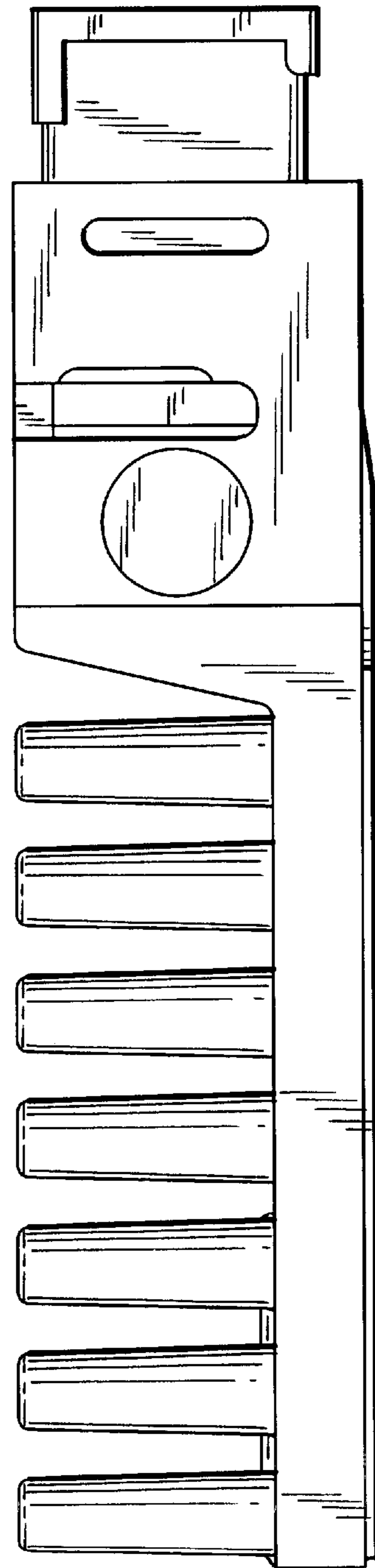


FIG. 6

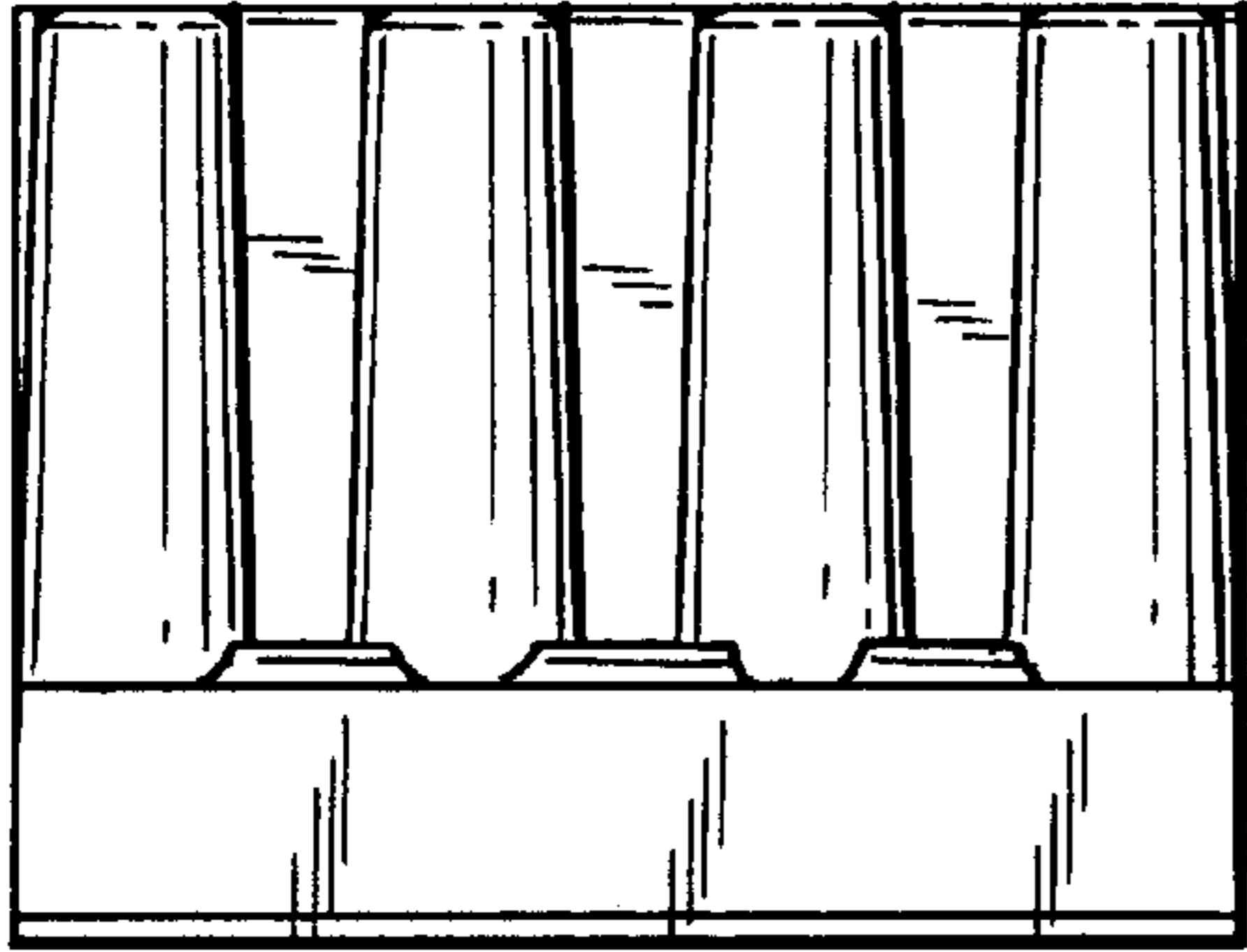


FIG. 7

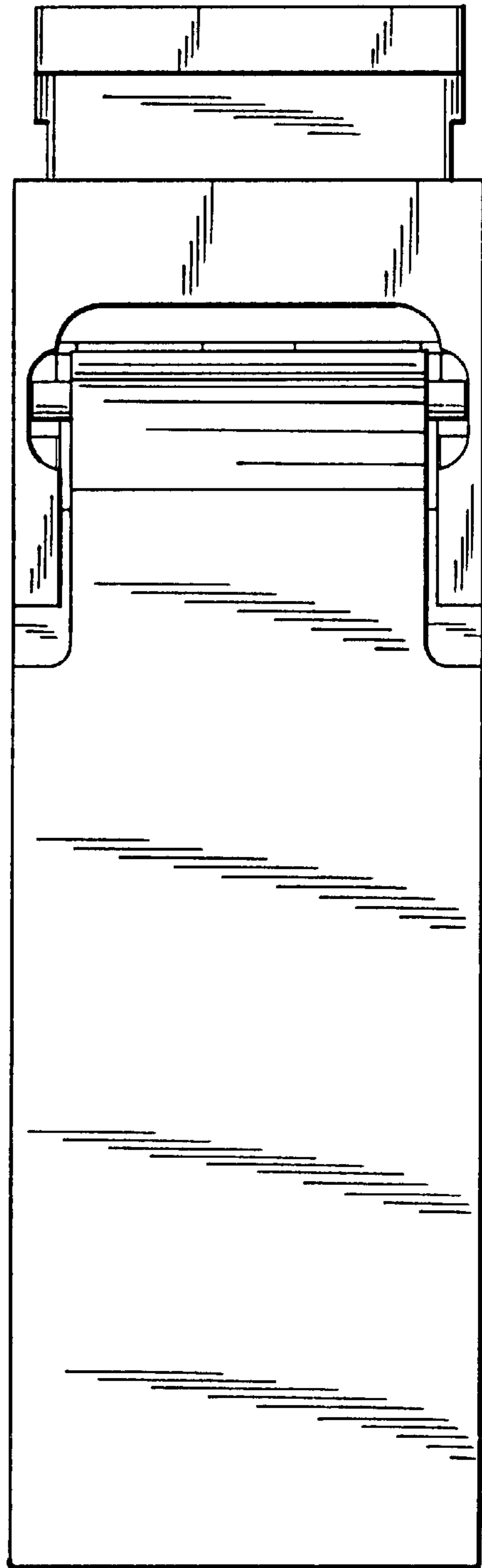


FIG. 8

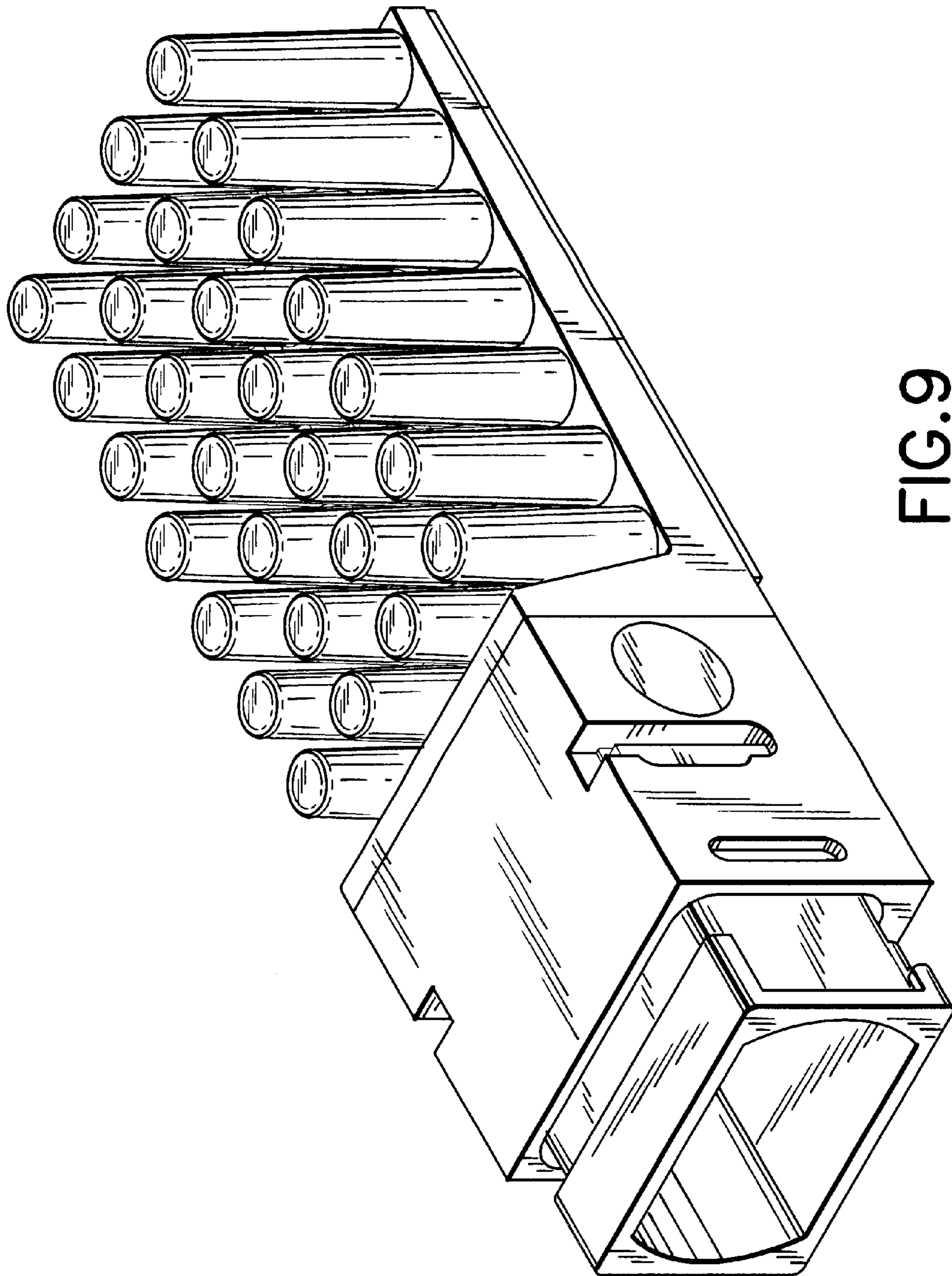


FIG. 9

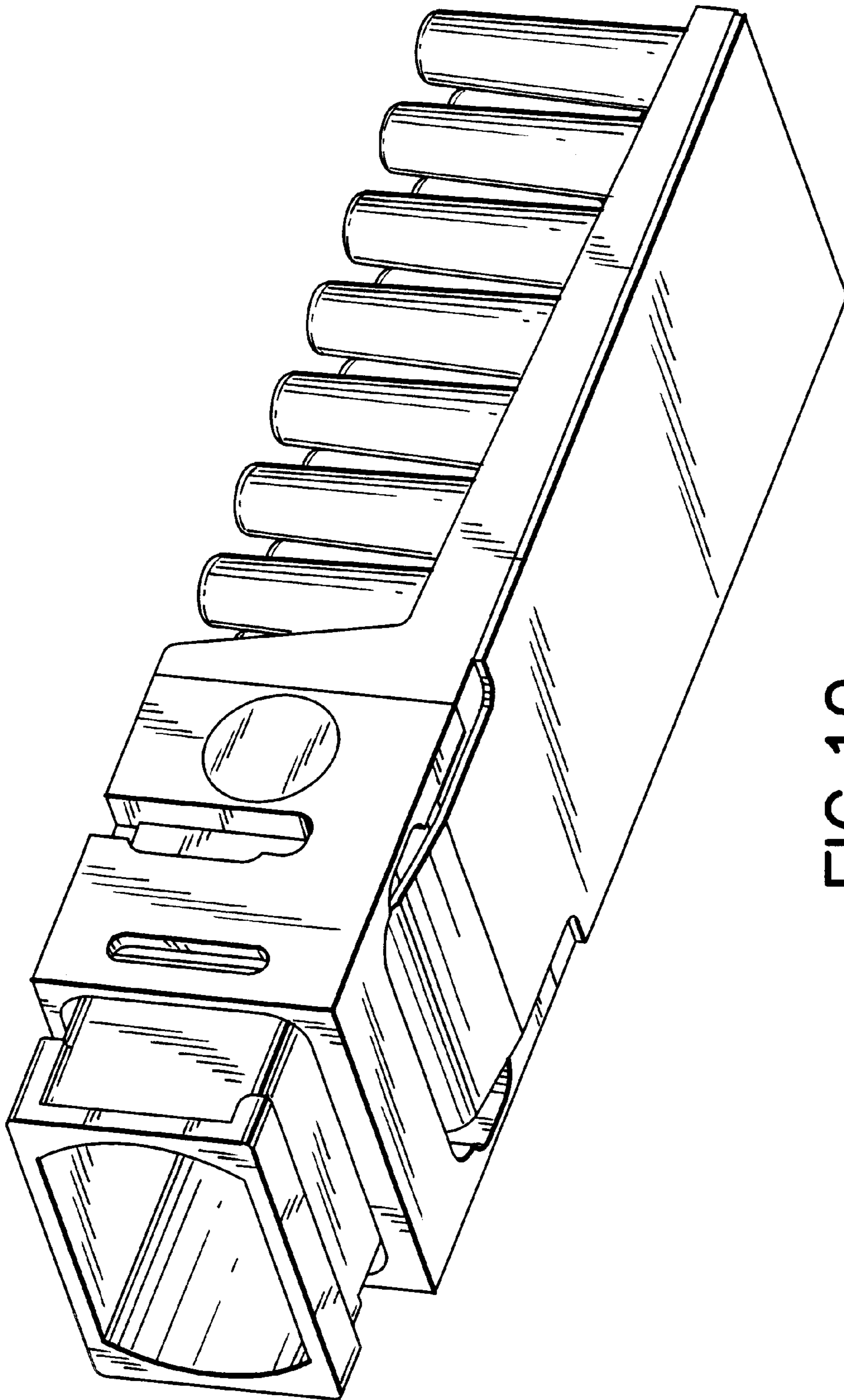


FIG.10



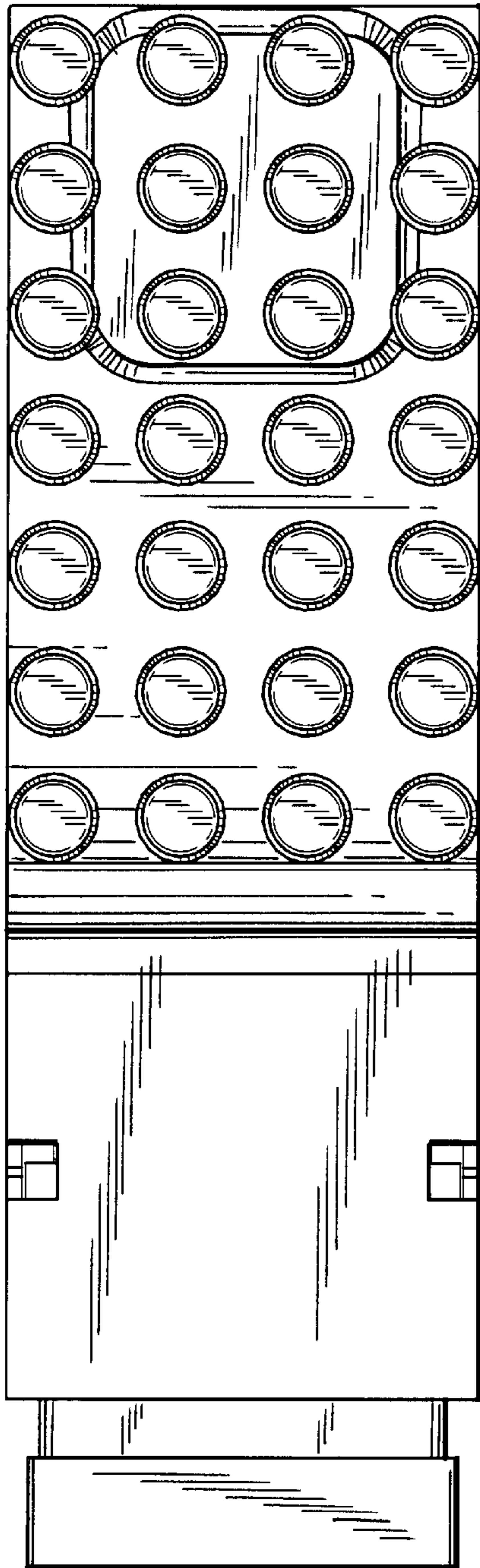


FIG. 11

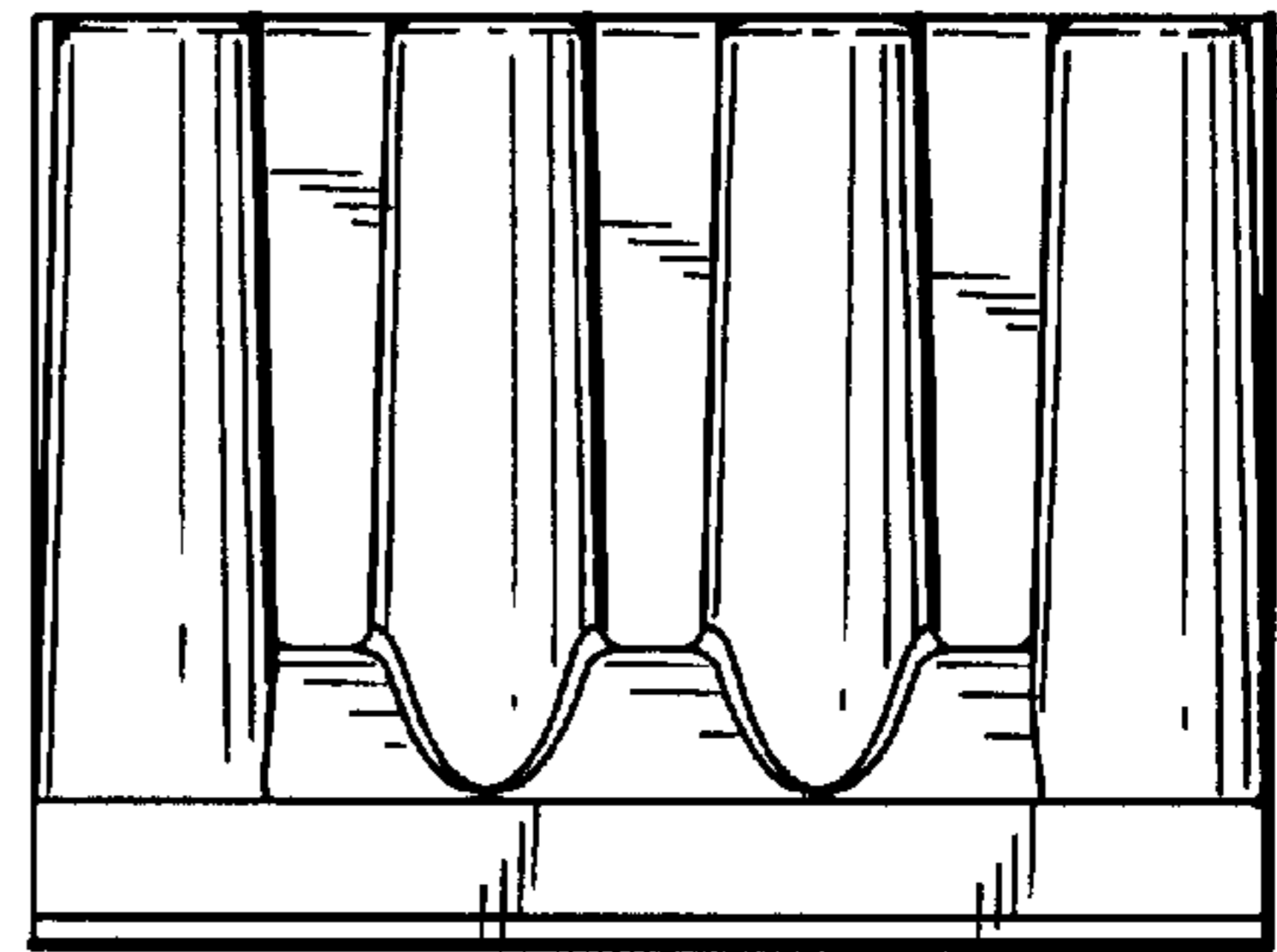


FIG. 14

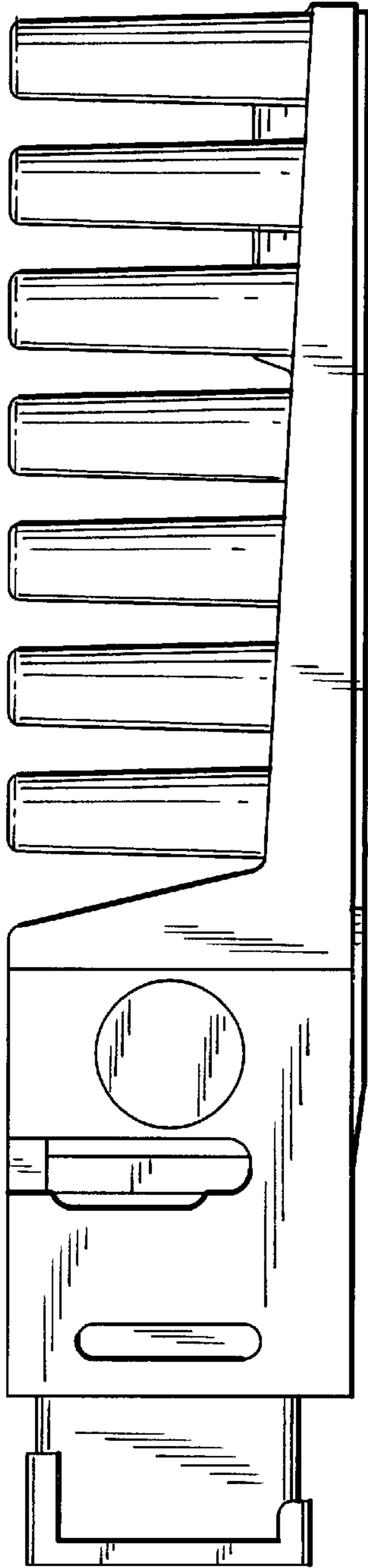


FIG. 12

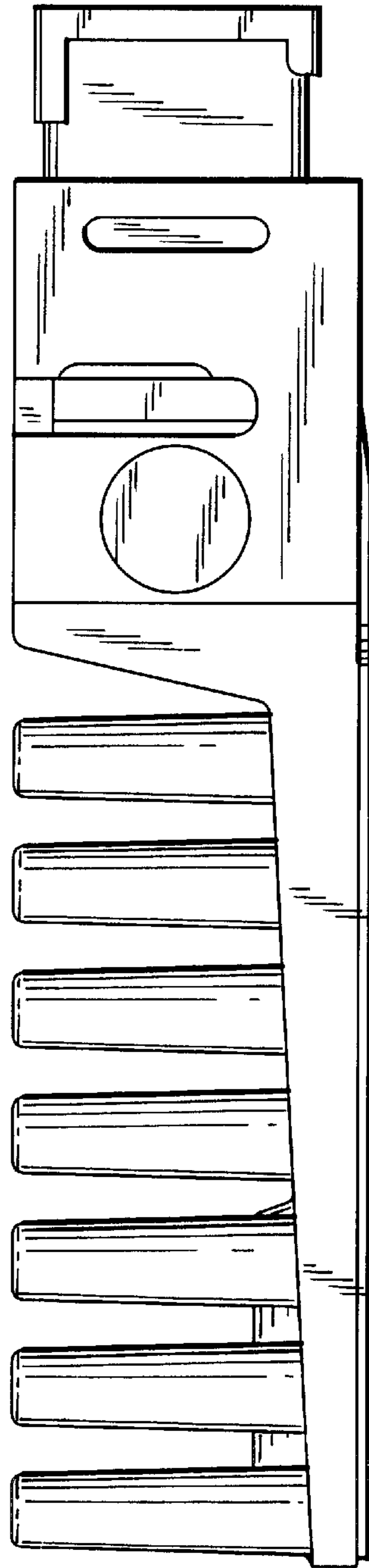


FIG. 13