



US00D476979S

(12) **United States Design Patent**  
**Dugas et al.**

(10) **Patent No.:** **US D476,979 S**

(45) **Date of Patent:** **\*\* Jul. 8, 2003**

(54) **COMMUNICATION MODULE**

(75) Inventors: **Roger Dugas**, Chester, NH (US);  
**Richard Stack**, Amherst, NH (US);  
**Keith Kang**, Hollis, NH (US); **Mark Czoschke**, Bedford, NH (US); **John Trezza**, Nashua, NH (US)

(73) Assignee: **Xanoptix, Inc.**, Merrimack, NH (US)

(\*\*) Term: **14 Years**

(21) Appl. No.: **29/157,416**

(22) Filed: **Mar. 18, 2002**

(51) **LOC (7) Cl.** ..... **14-03**

(52) **U.S. Cl.** ..... **D14/240**

(58) **Field of Search** ..... D14/240-256,  
D14/433, 438, 356, 357; D13/152, 160,  
161, 164, 173, 178; 439/610, 922, 954,  
620; 361/681-686, 679

(56) **References Cited**

**U.S. PATENT DOCUMENTS**

5,035,652	A	*	7/1991	Shibano	.....	439/610
D362,250	S	*	9/1995	Harding et al.	.....	D14/242
D374,663	S	*	10/1996	Rodrigues et al.	.....	D14/433
6,234,842	B1	*	5/2001	Keay et al.	.....	439/620
D449,300	S	*	10/2001	Bentz et al.	.....	D14/357
D465,495	S	*	11/2002	Goto	.....	D14/433
D468,312	S	*	1/2003	Huang et al.	.....	D14/433
6,533,615		*	3/2003	Koide et al.	.....	439/610

\* cited by examiner

*Primary Examiner*—Charles A. Rademaker  
(74) *Attorney, Agent, or Firm*—Morgan & Finnegan, LLP

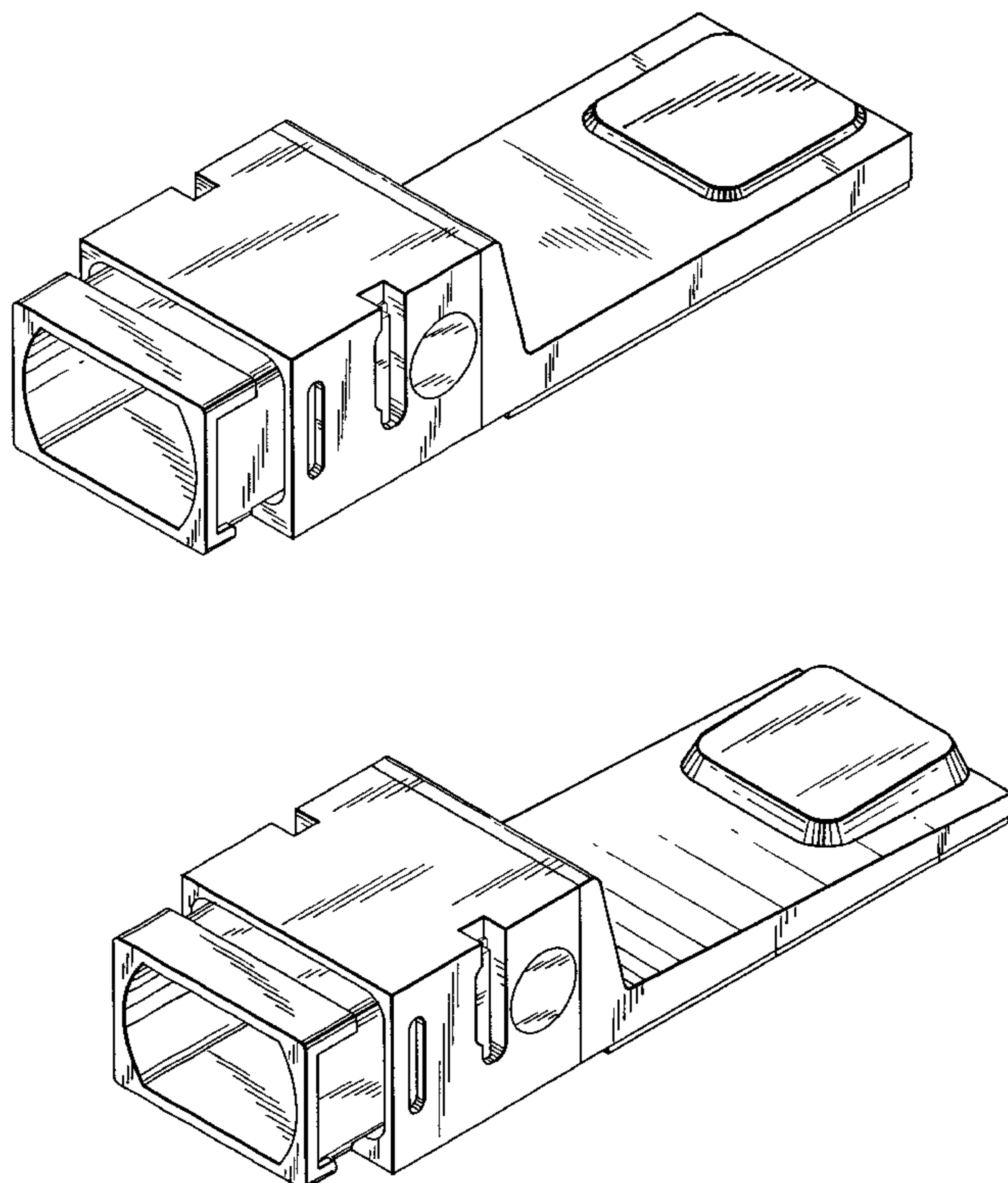
(57) **CLAIM**

We claim the ornamental design for a communication module, as shown and described.

**DESCRIPTION**

FIG. 1 is a perspective view illustrating the top, front and right side of a design for a communication module;  
 FIG. 2 is a perspective view illustrating the bottom, front and right side of a design for the communication module illustrated in FIG. 1;  
 FIG. 3 is a top plan view thereof;  
 FIG. 4 is a front elevational view thereof;  
 FIG. 5 is right side elevational view thereof;  
 FIG. 6 is left side elevational view thereof;  
 FIG. 7 is a rear elevational view thereof;  
 FIG. 8 is a bottom plan view thereof;  
 FIG. 9 is a perspective view illustrating the top, front and right side of another embodiment of the design for the communication module;  
 FIG. 10 is a perspective view illustrating the bottom, front and right side of a design for the communication module illustrated in FIG. 9;  
 FIG. 11 is a top plan view thereof;  
 FIG. 12 is right side elevational view thereof;  
 FIG. 13 is left side elevational view thereof; and,  
 FIG. 14 is a rear elevational view thereof.

**1 Claim, 9 Drawing Sheets**



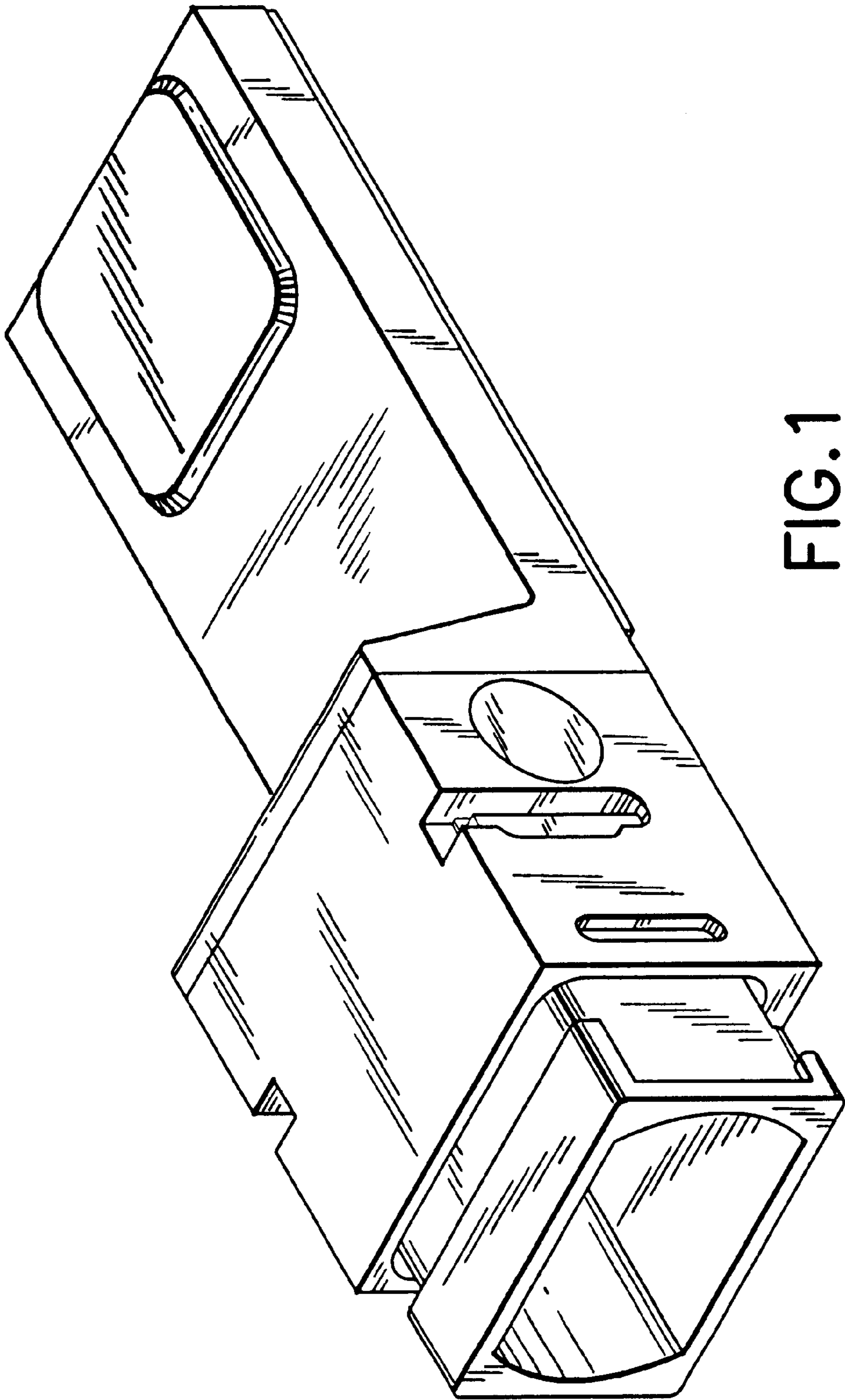


FIG. 1

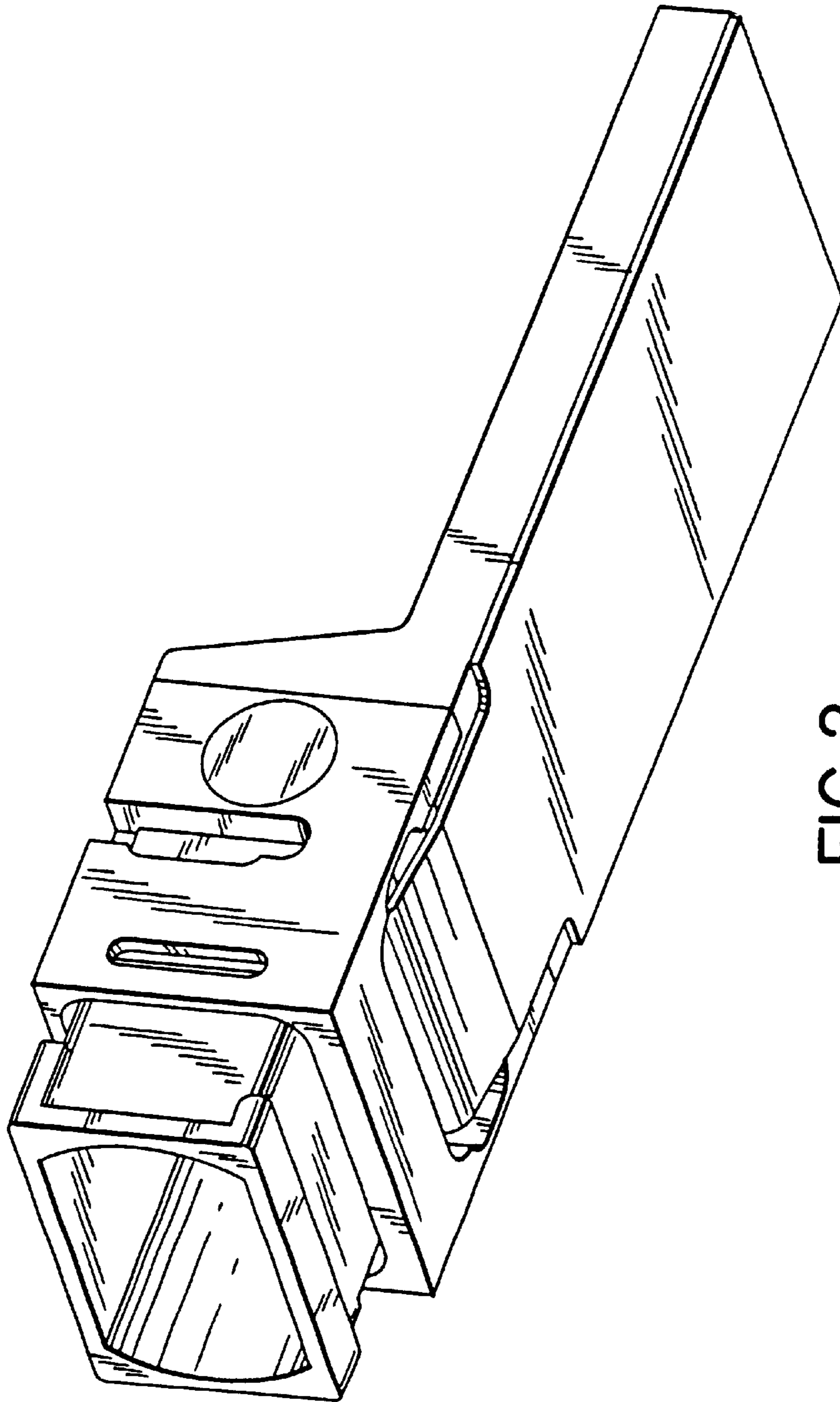


FIG.2

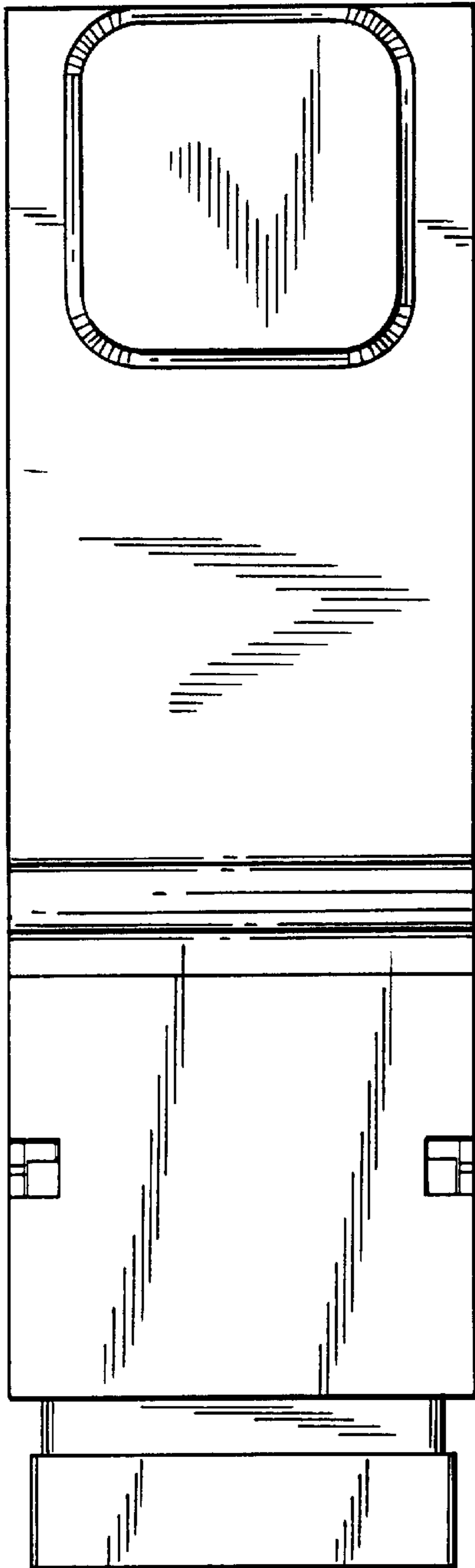


FIG. 3

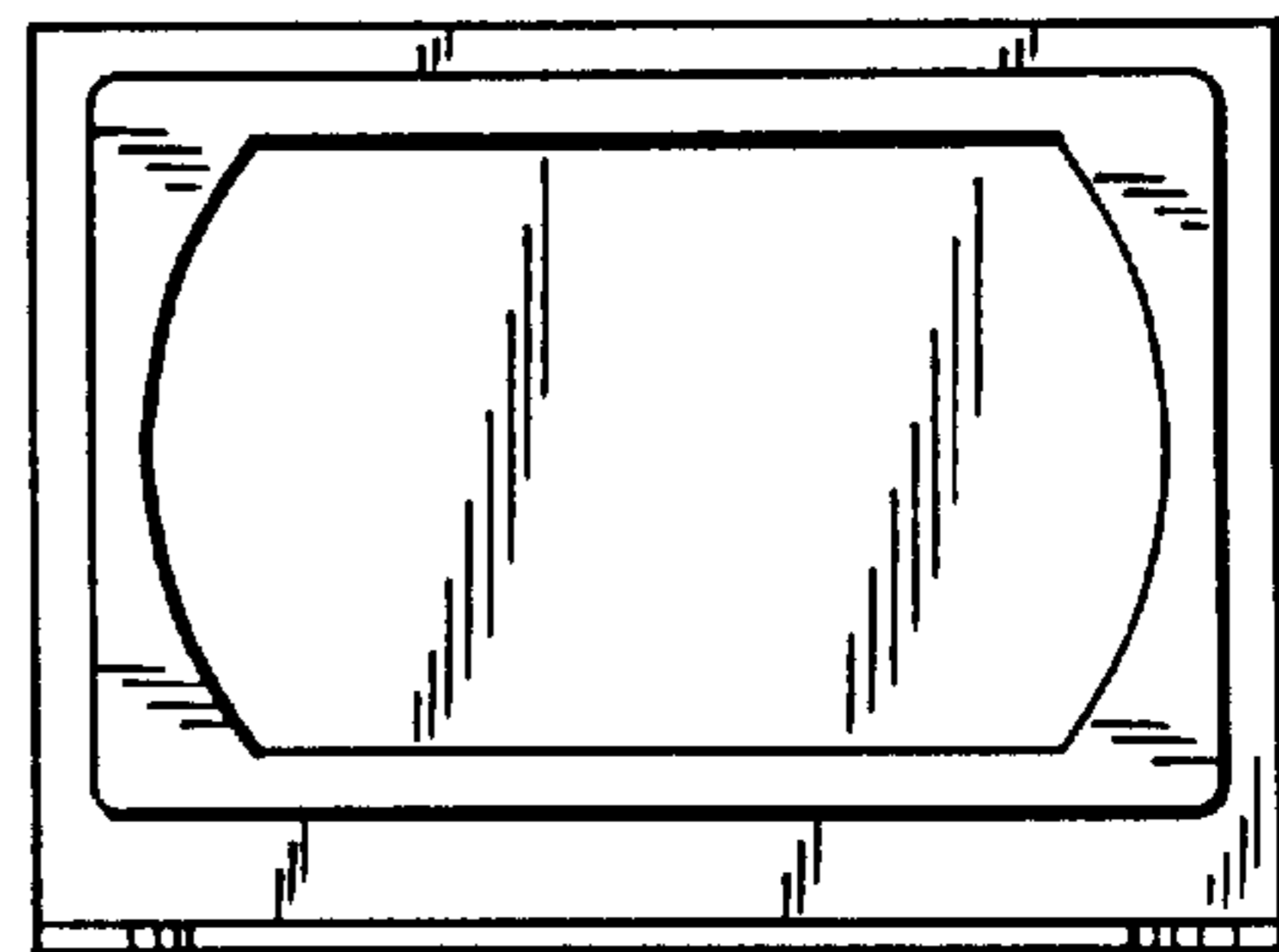


FIG. 4

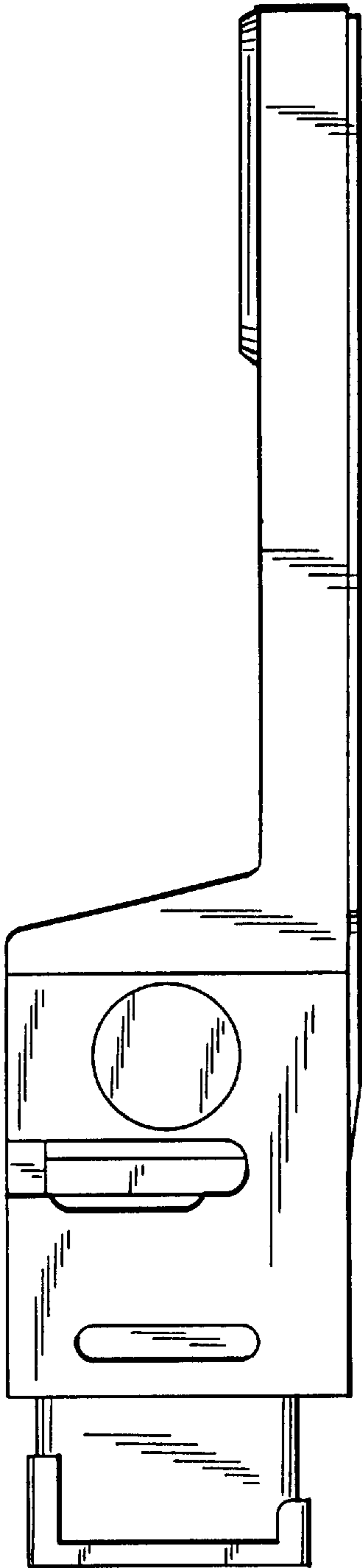


FIG. 5

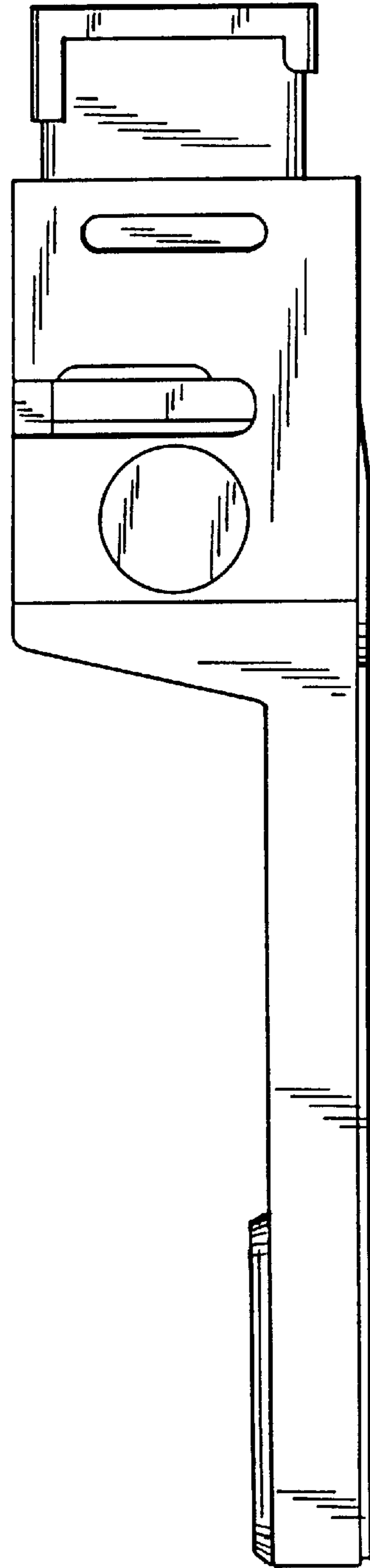


FIG. 6



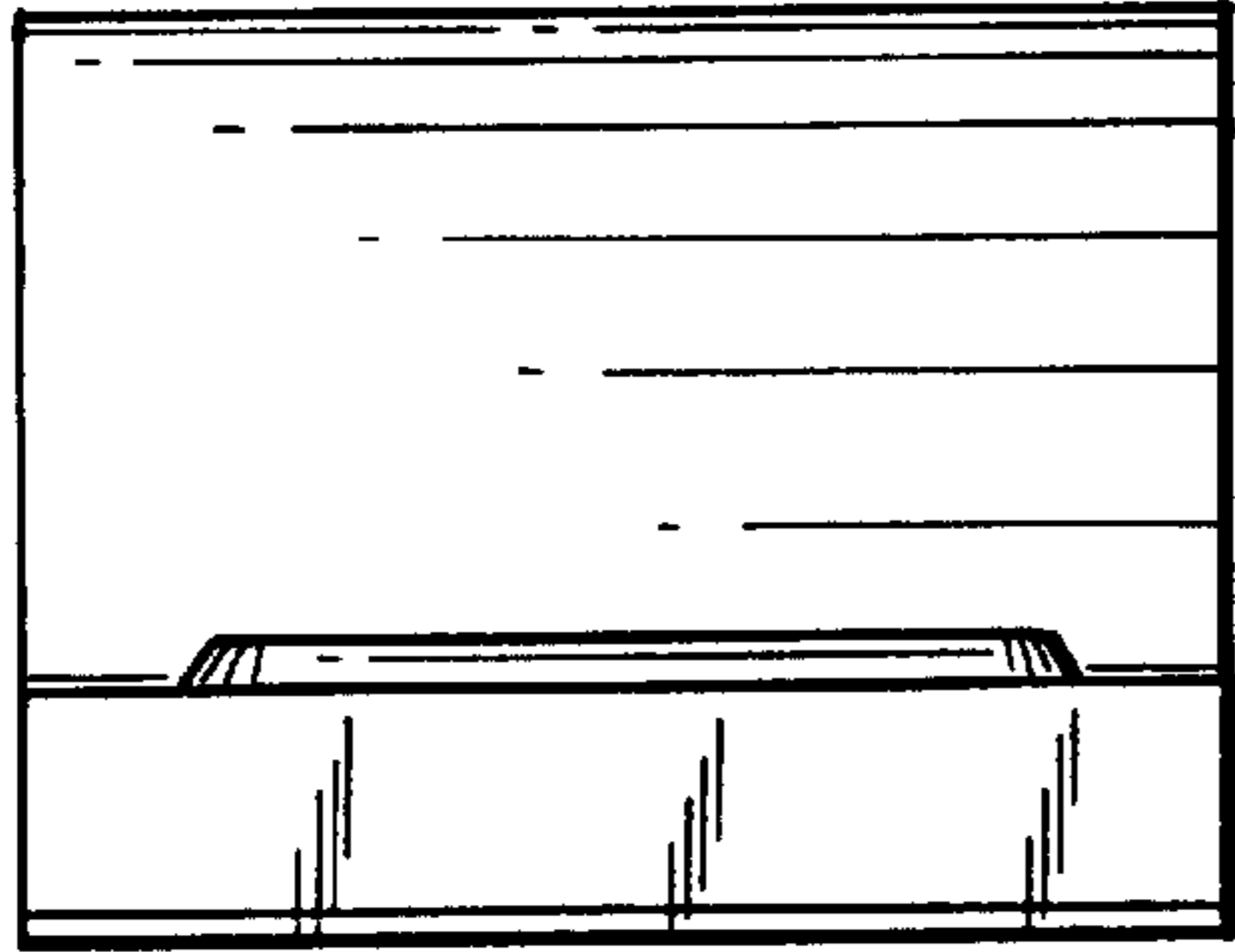


FIG. 7

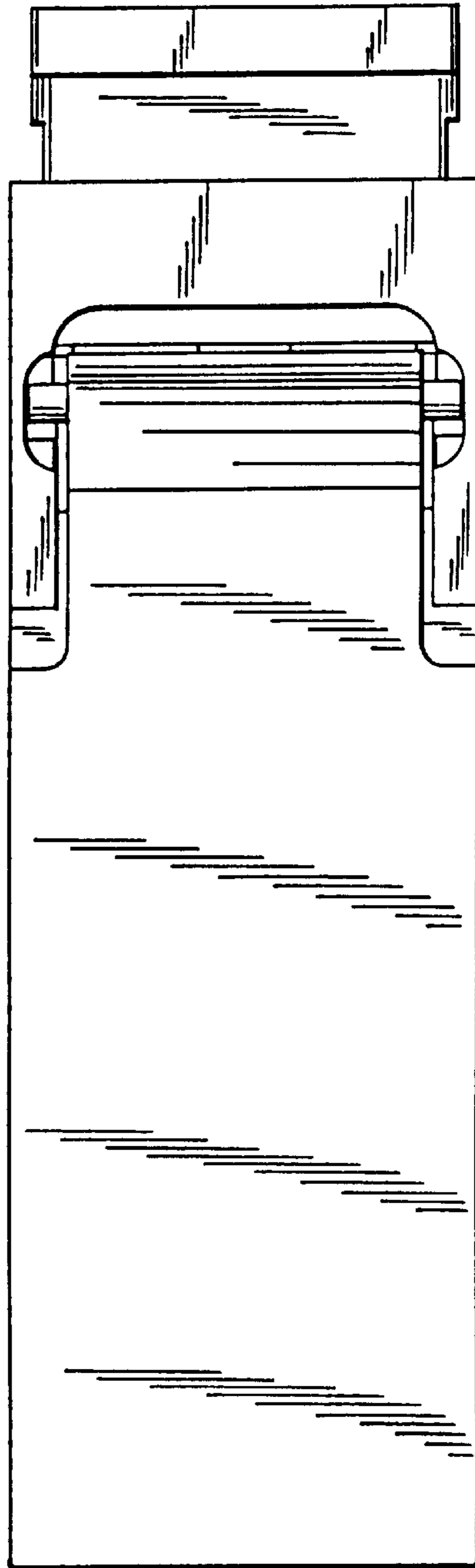


FIG. 8

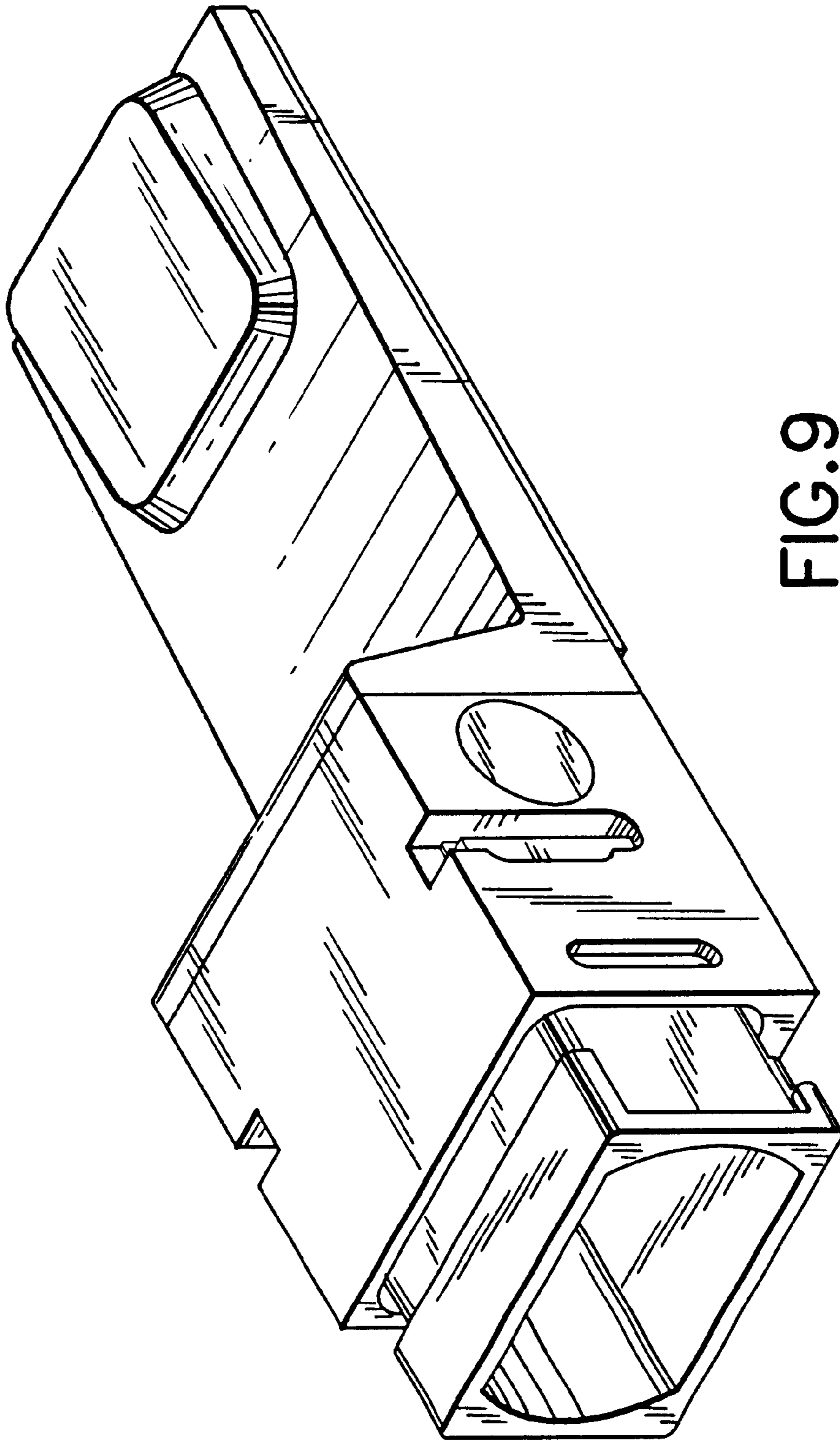


FIG. 9

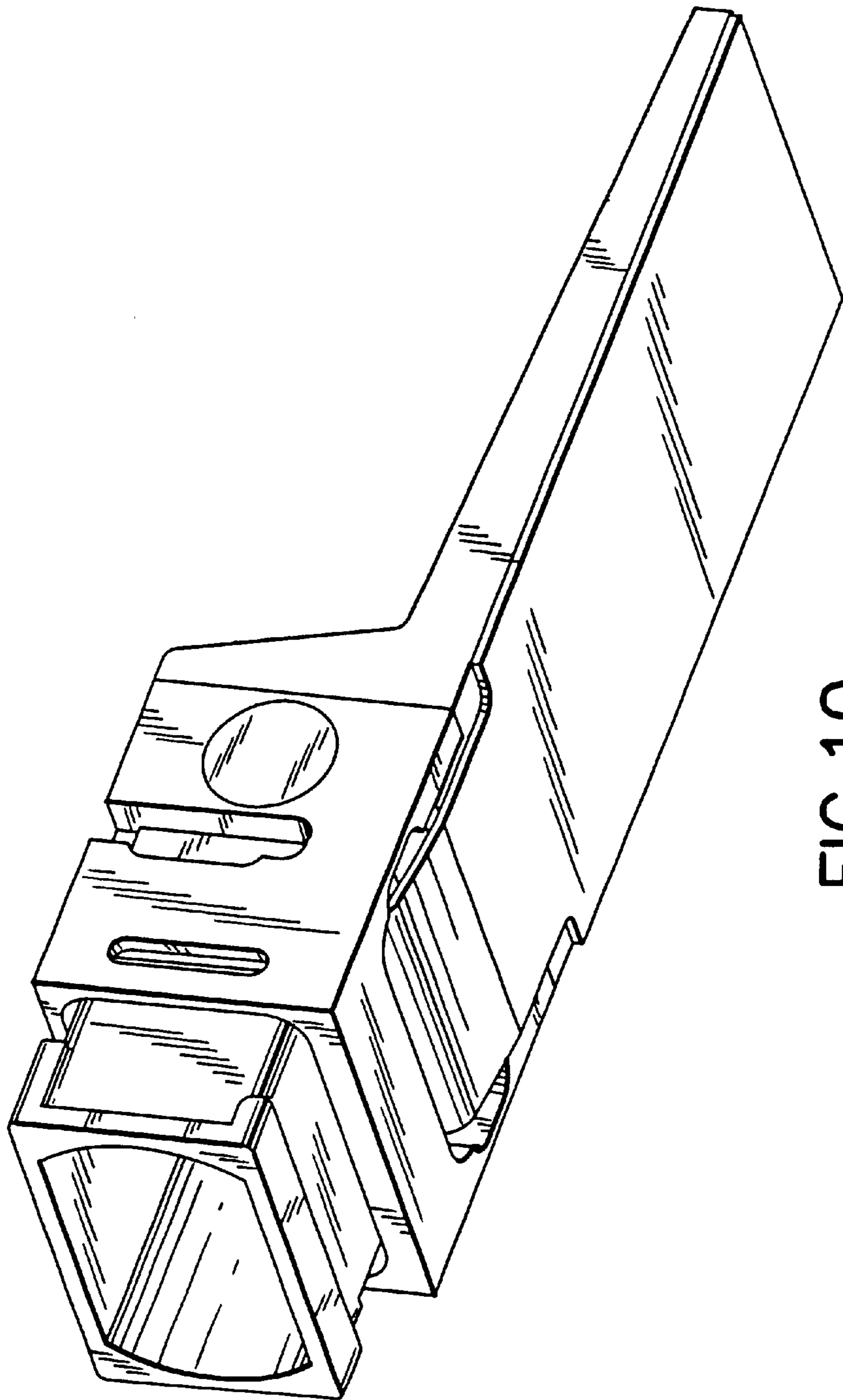


FIG. 10



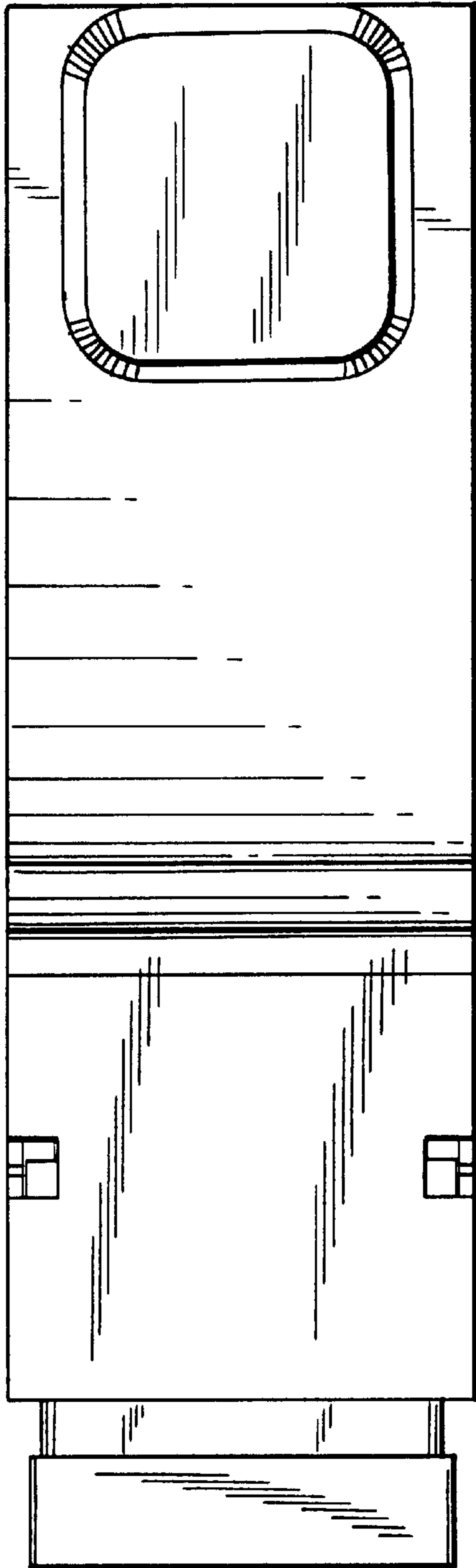


FIG. 11

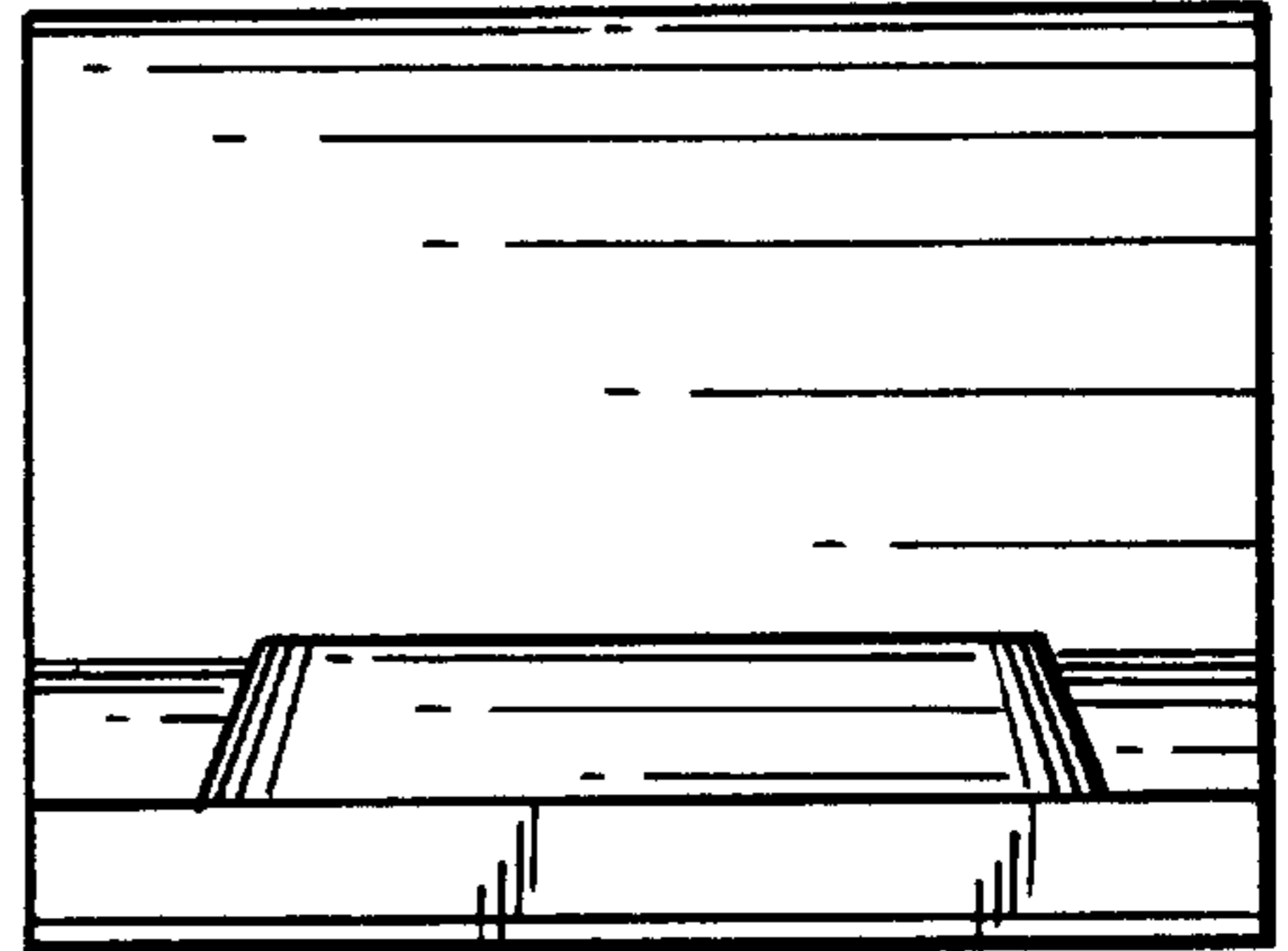


FIG. 14

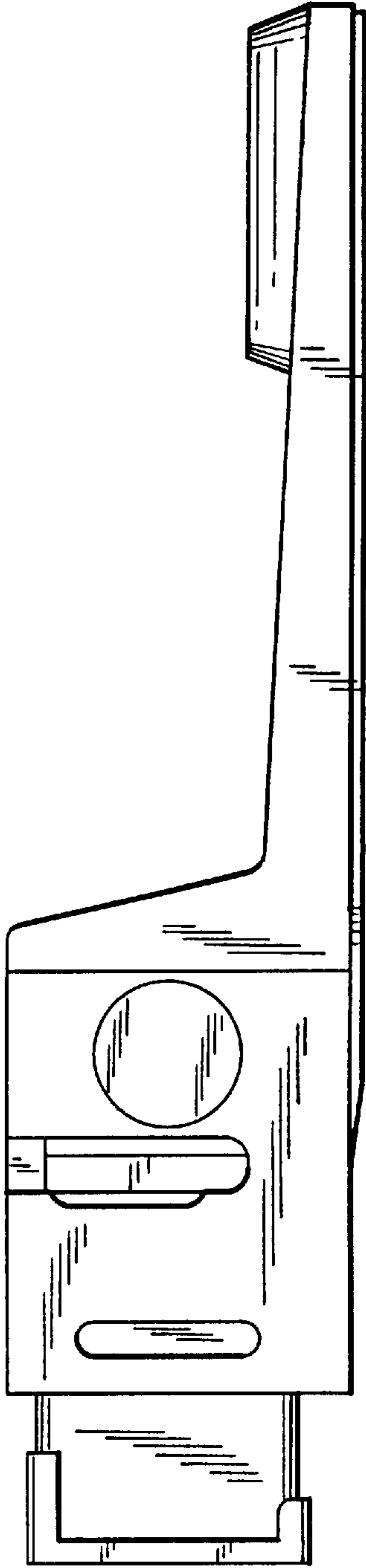


FIG. 12

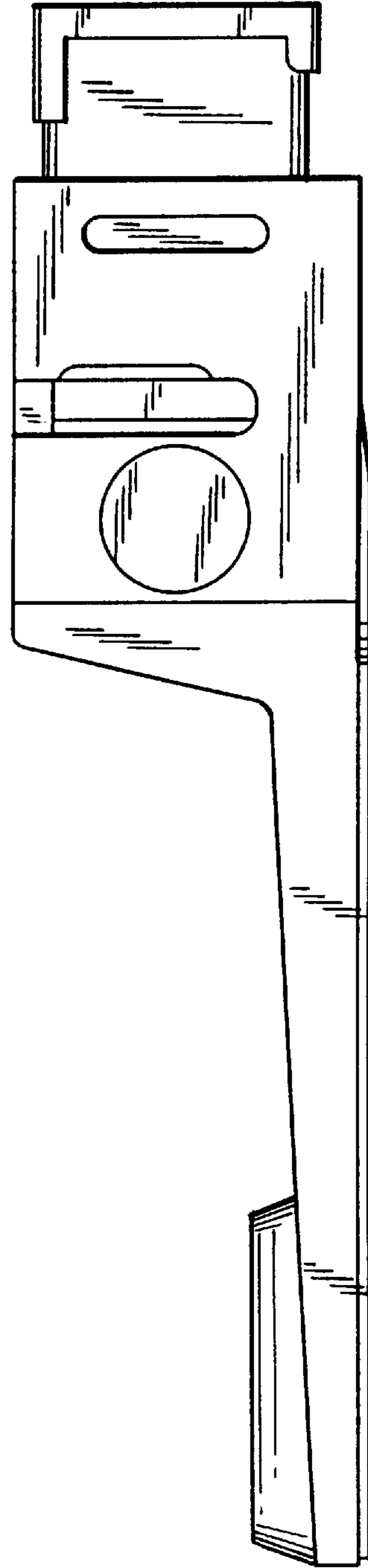


FIG. 13