



US00D476978S

(12) **United States Design Patent**
Dugas et al.

(10) **Patent No.:** **US D476,978 S**

(45) **Date of Patent:** **** Jul. 8, 2003**

(54) **COMMUNICATION MODULE**

(75) Inventors: **Roger Dugas**, Chester, NH (US);
Richard Stack, Amherst, NH (US);
Keith Kang, Hollis, NH (US); **Mark Czoschke**, Bedford, NH (US); **John Trezza**, Nashua, NH (US)

(73) Assignee: **Xanoptix, Inc.**, Merrimack, NH (US)

(**) Term: **14 Years**

(21) Appl. No.: **29/157,414**

(22) Filed: **Mar. 18, 2002**

(51) **LOC (7) Cl.** **14-03**

(52) **U.S. Cl.** **D14/240**

(58) **Field of Search** D14/240–256,
D14/433, 356, 438, 357; D13/152, 160,
161, 164, 178, 173; 439/610, 922, 954,
620; 361/681–686, 679

(56) **References Cited**

U.S. PATENT DOCUMENTS

D374,663 S	*	10/1996	Rodrigues et al.	D14/433
5,830,016 A	*	11/1998	Chuang	439/620
D449,300 S	*	10/2001	Bentz et al.	D14/357
D460,418 S	*	7/2002	Han	D13/147
D463,414 S	*	9/2002	Gao	D14/240
D463,426 S	*	9/2002	Cheng	D14/356
D465,495 S	*	11/2002	Goto	D14/433
6,508,671 B2	*	1/2003	Ko	439/610

6,533,615 * 3/2003 Koide et al. 439/610

* cited by examiner

Primary Examiner—Charles A. Rademaker

(74) *Attorney, Agent, or Firm*—Morgan & Finnegan, LLP

(57) **CLAIM**

We claim the ornamental design for a communication module, as shown and described.

DESCRIPTION

FIG. 1 is a perspective view illustrating the top, front and right side of a design for a communication module;

FIG. 2 is a perspective view illustrating the bottom, front and right side of a design for the communication module illustrated in FIG. 1;

FIG. 3 is a top plan view thereof;

FIG. 4 is a front elevational view thereof;

FIG. 5 is right side elevational view thereof;

FIG. 6 is left side elevational view thereof;

FIG. 7 is a bottom plan view thereof;

FIG. 8 is a rear elevational view thereof;

FIG. 9 is a perspective view illustrating the top, front and right side of another embodiment of the design for the communication module;

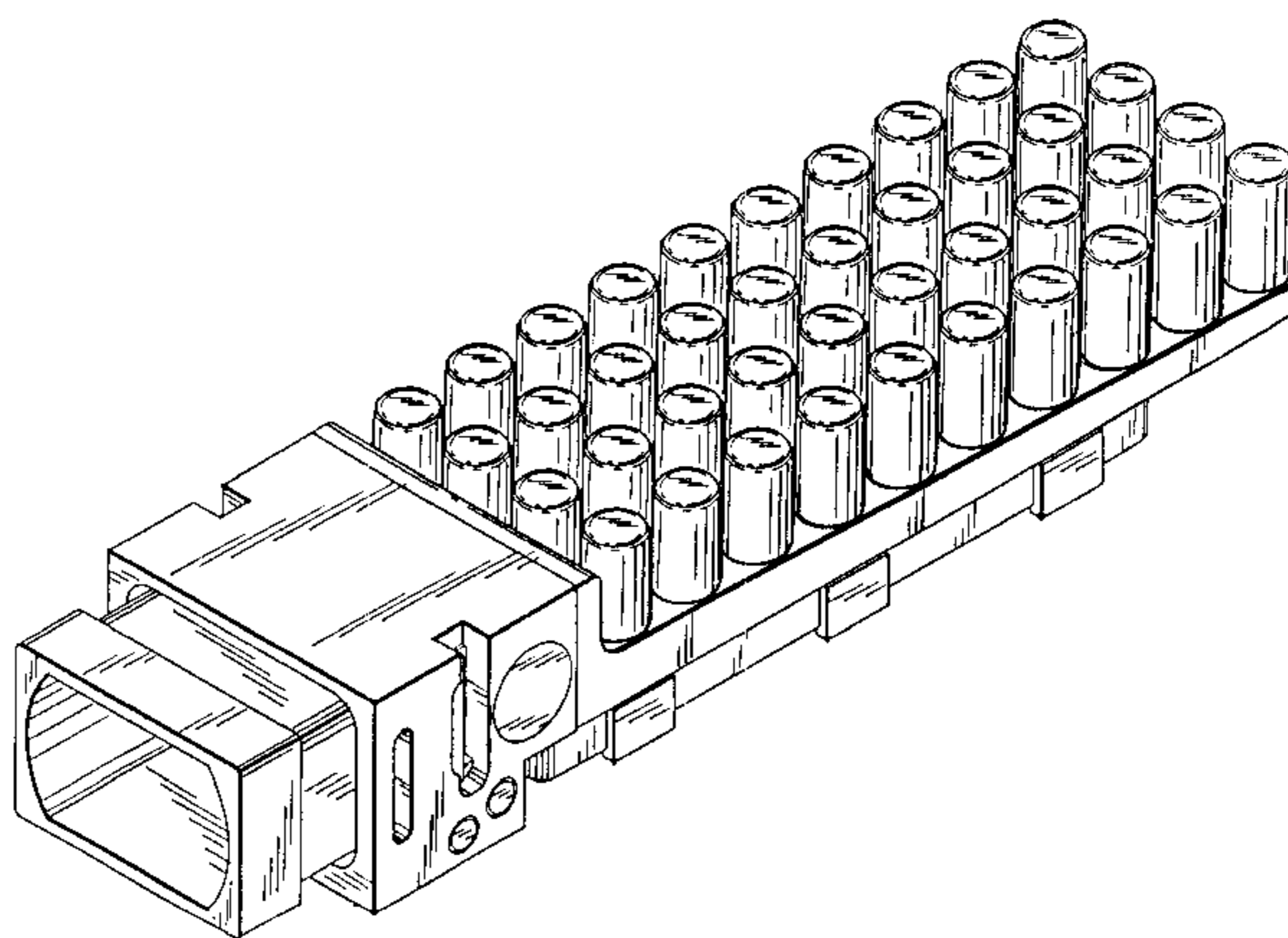
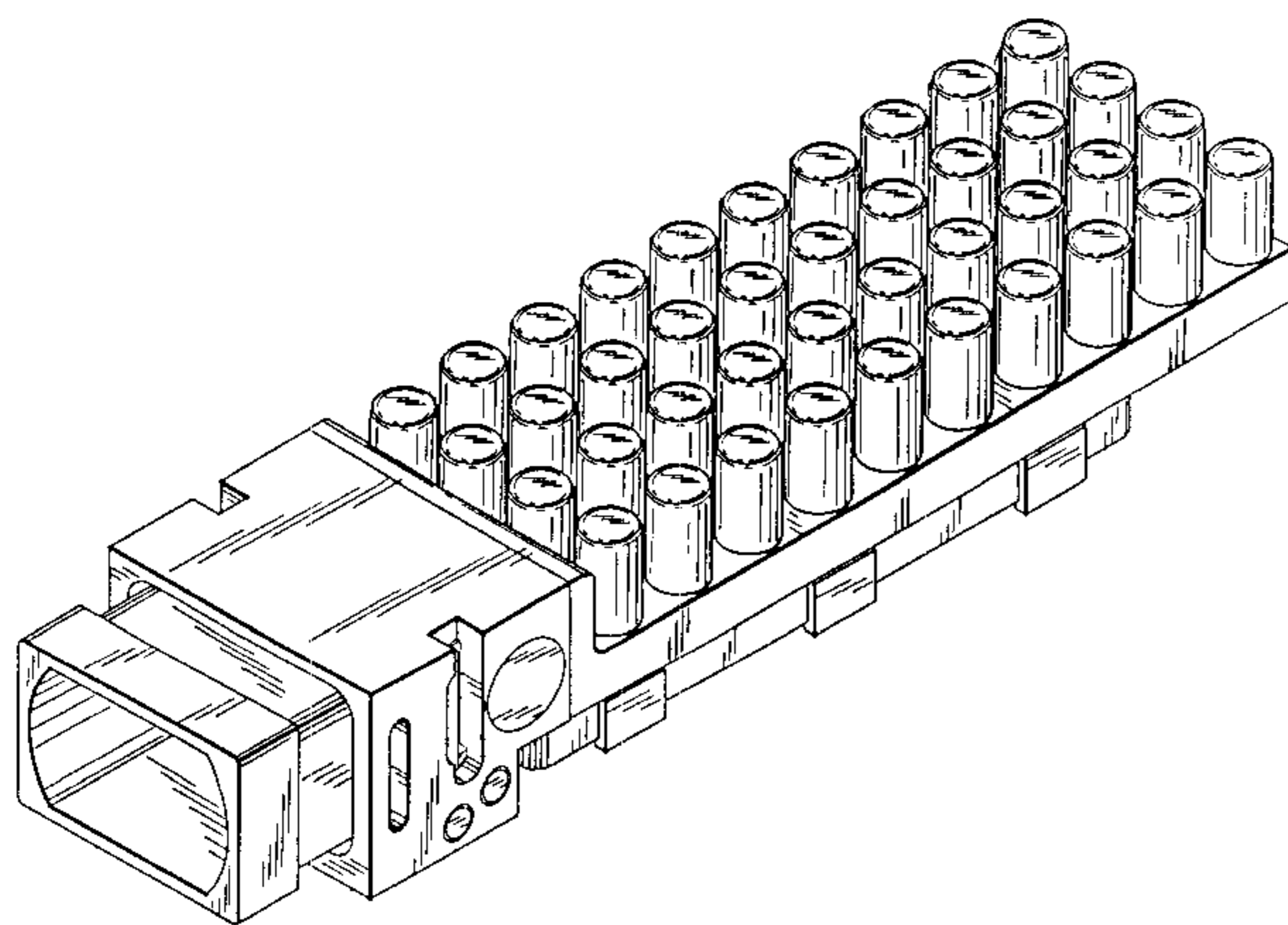
FIG. 10 is a top plan view of a design for the communication module illustrated in FIG. 9;

FIG. 11 is right side elevational view thereof;

FIG. 12 is left side elevational view thereof; and,

FIG. 13 is a rear elevational view thereof.

1 Claim, 9 Drawing Sheets



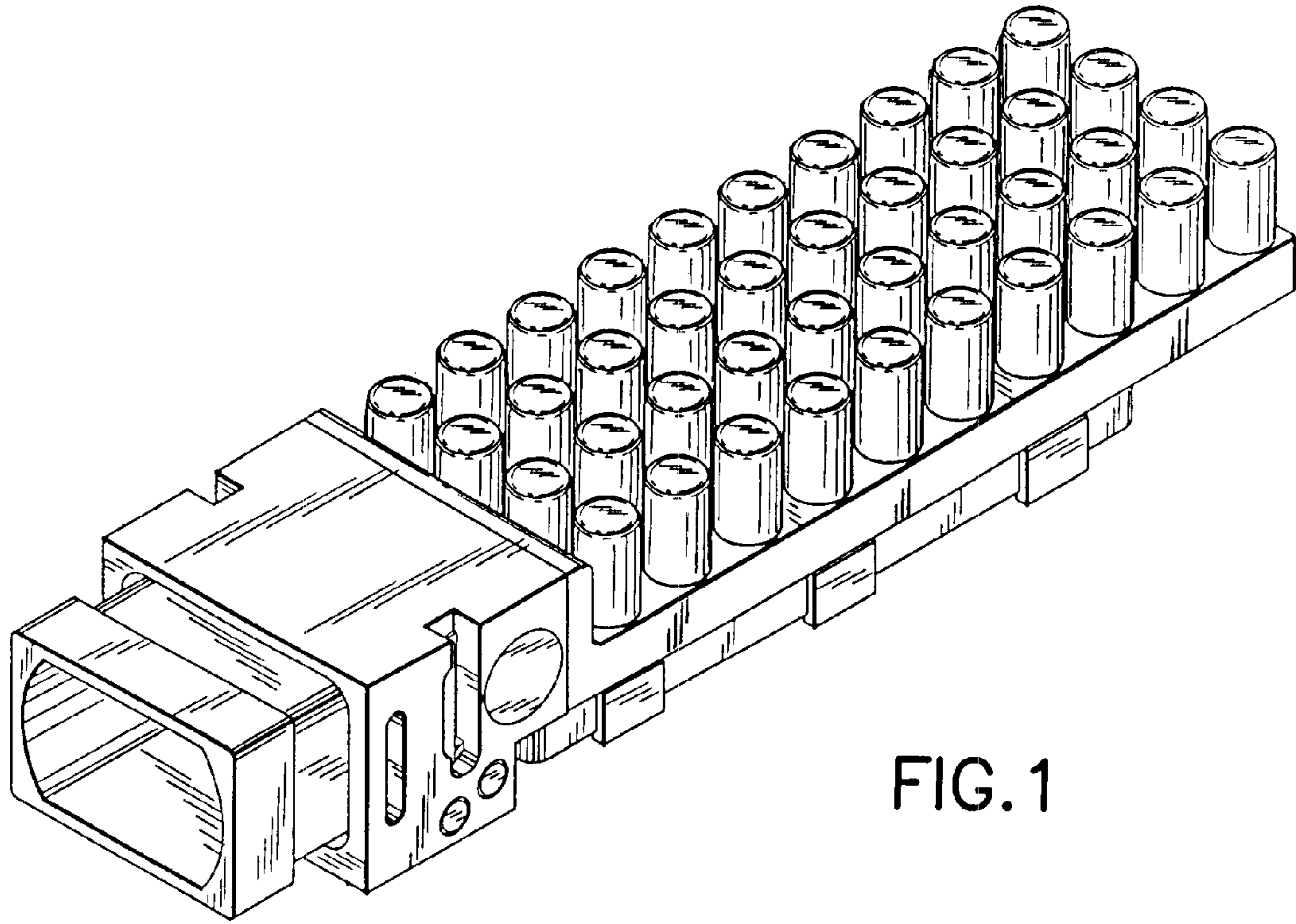


FIG. 1

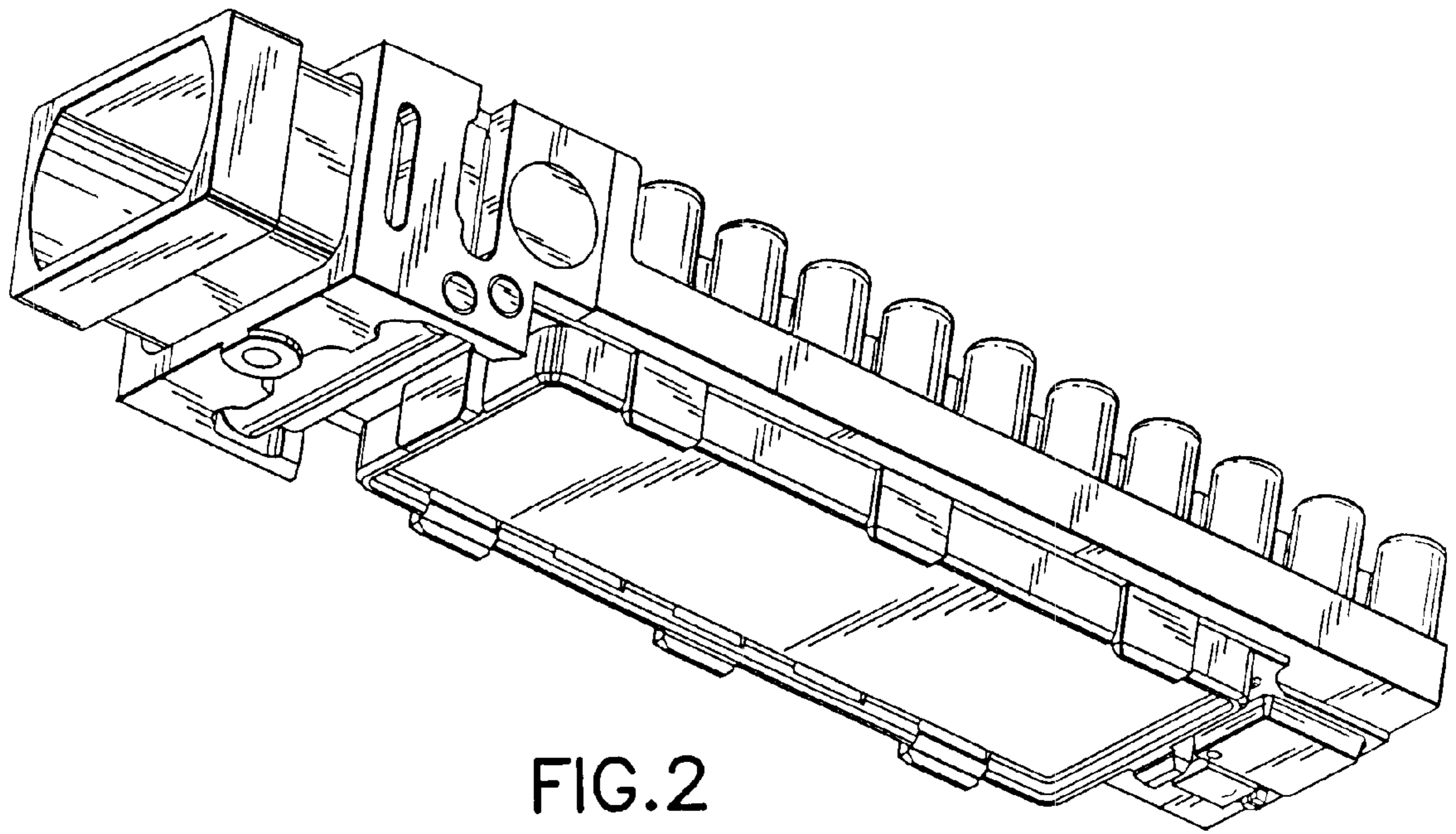


FIG. 2

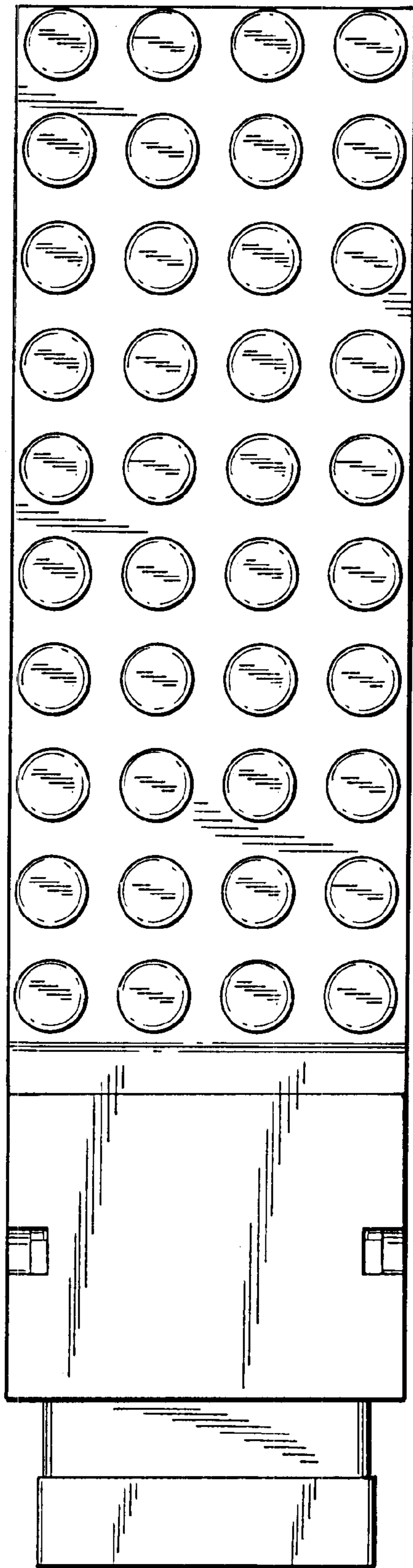


FIG.3

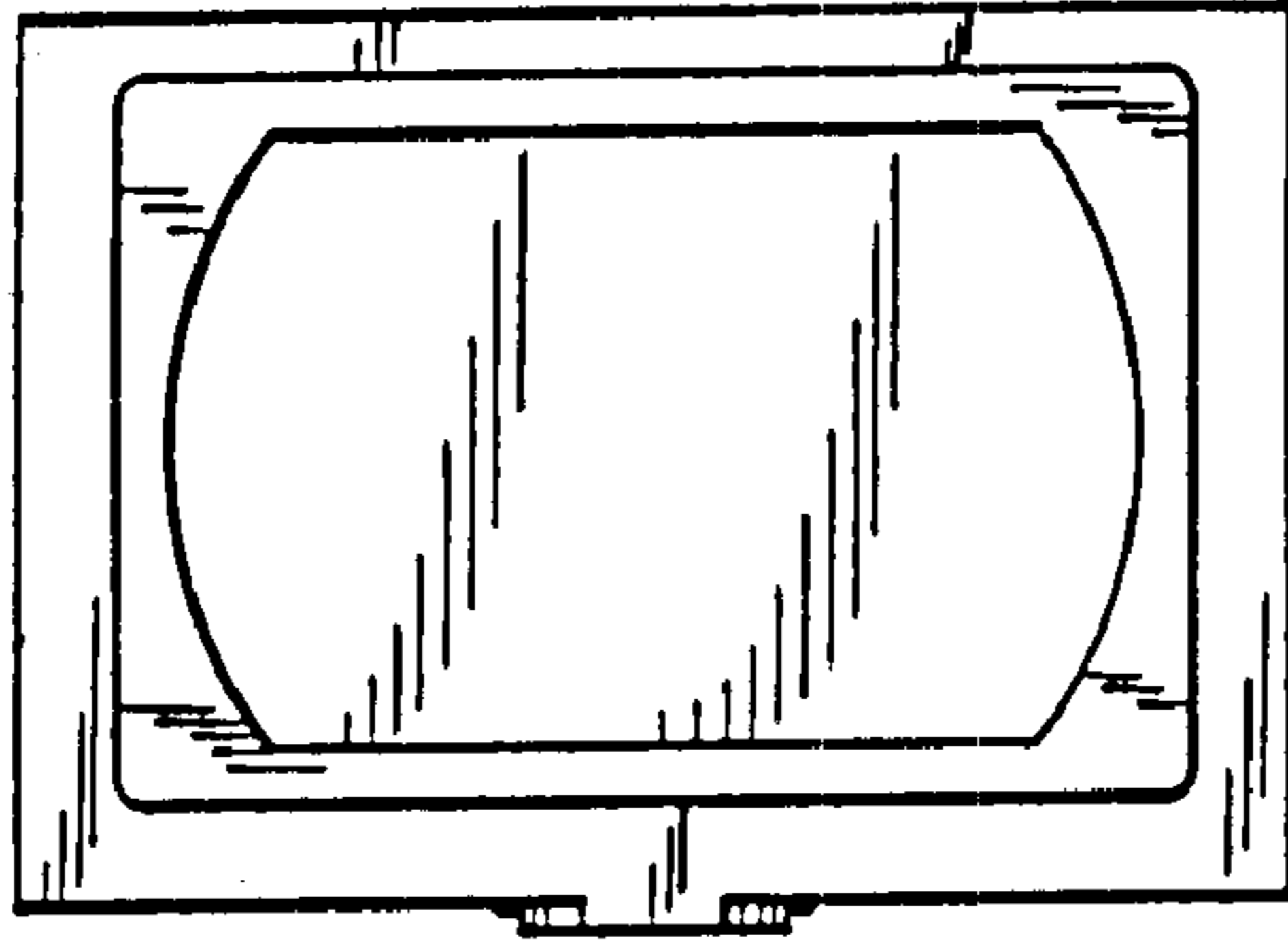


FIG. 4

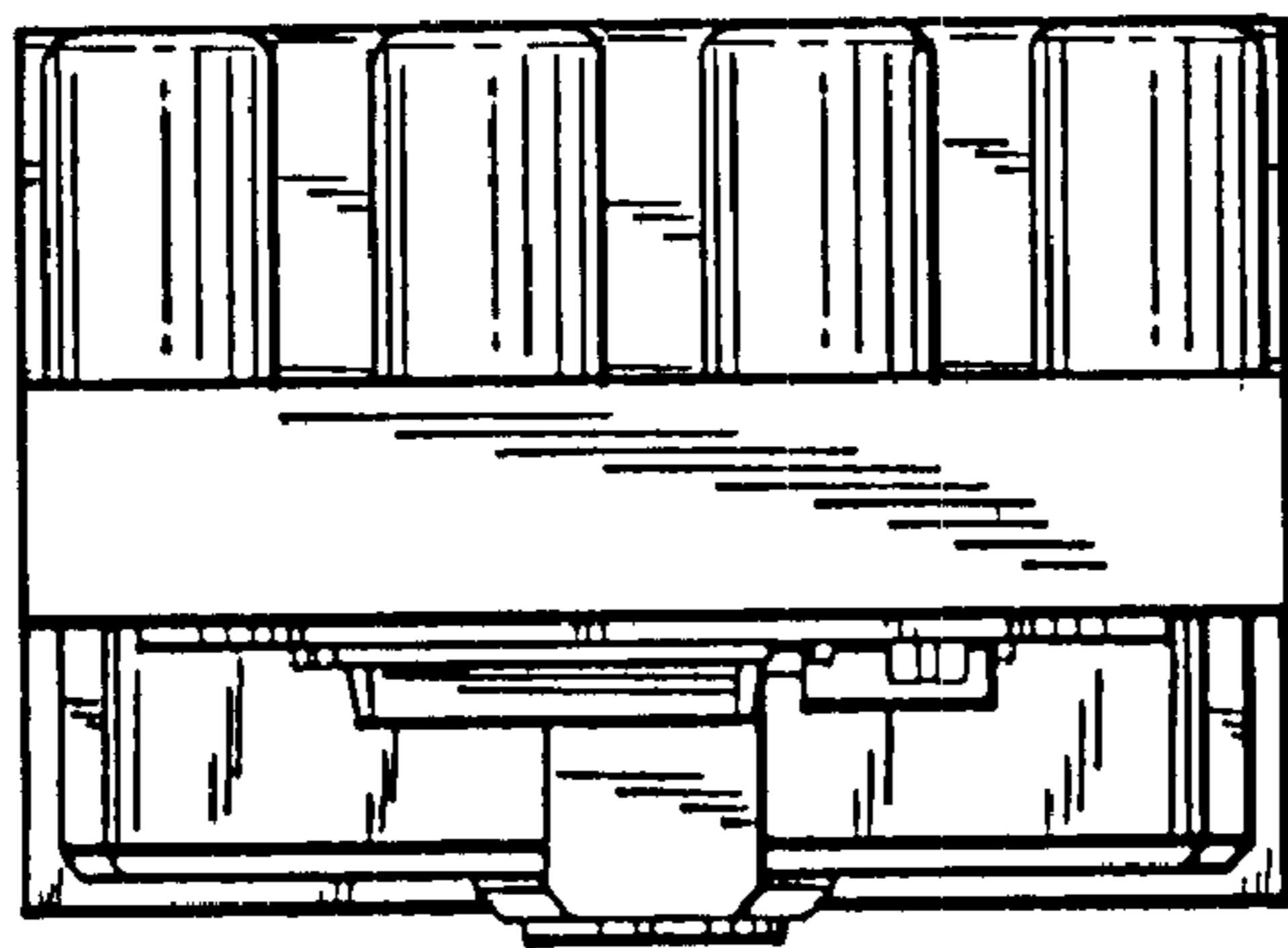


FIG. 8

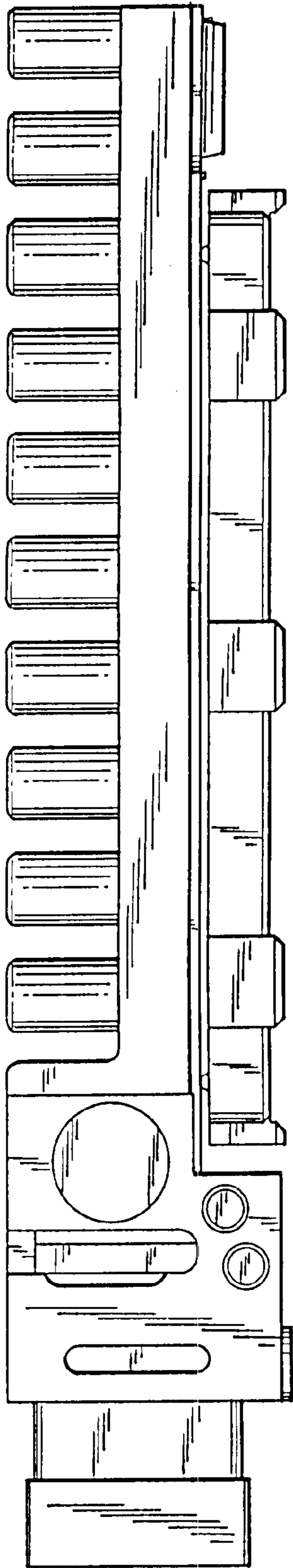


FIG. 5

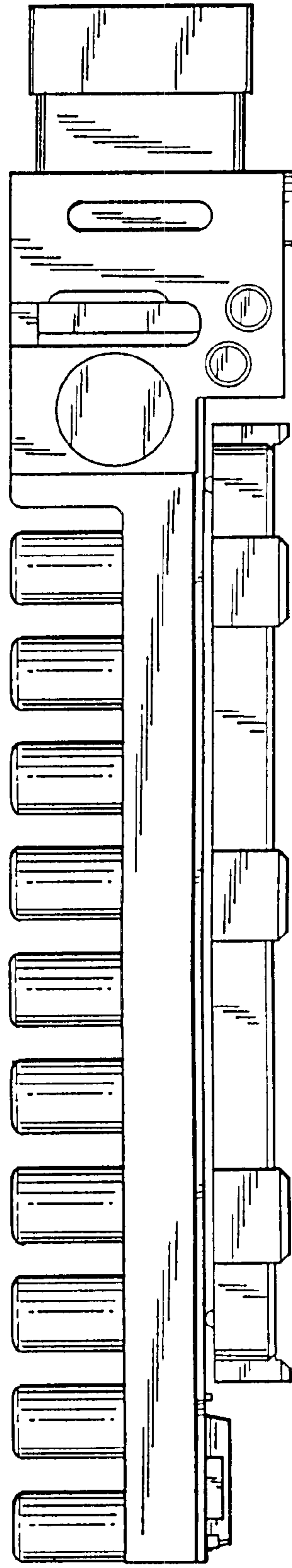


FIG. 6

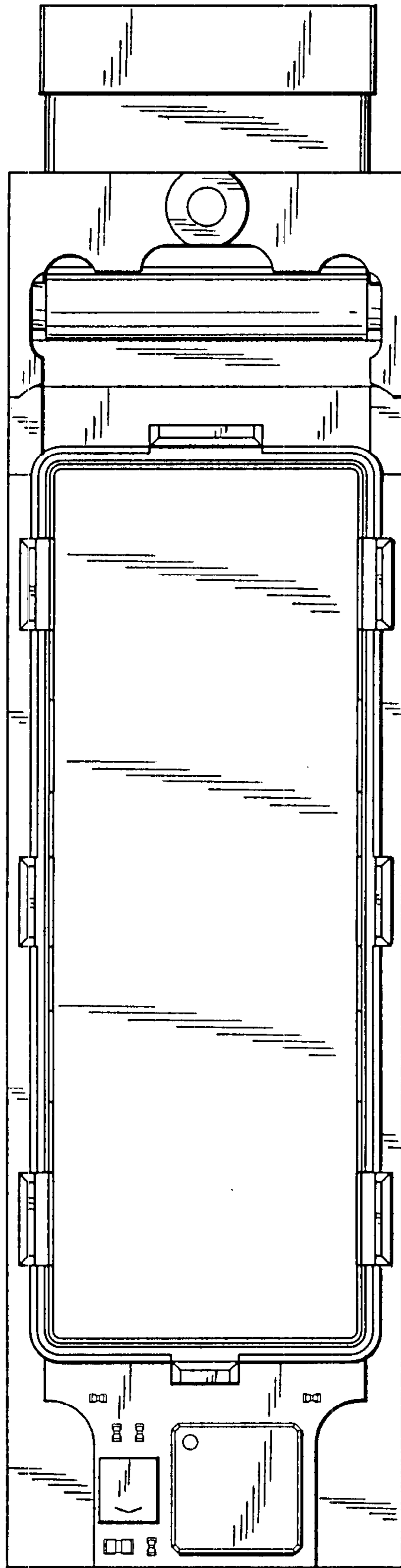


FIG. 7

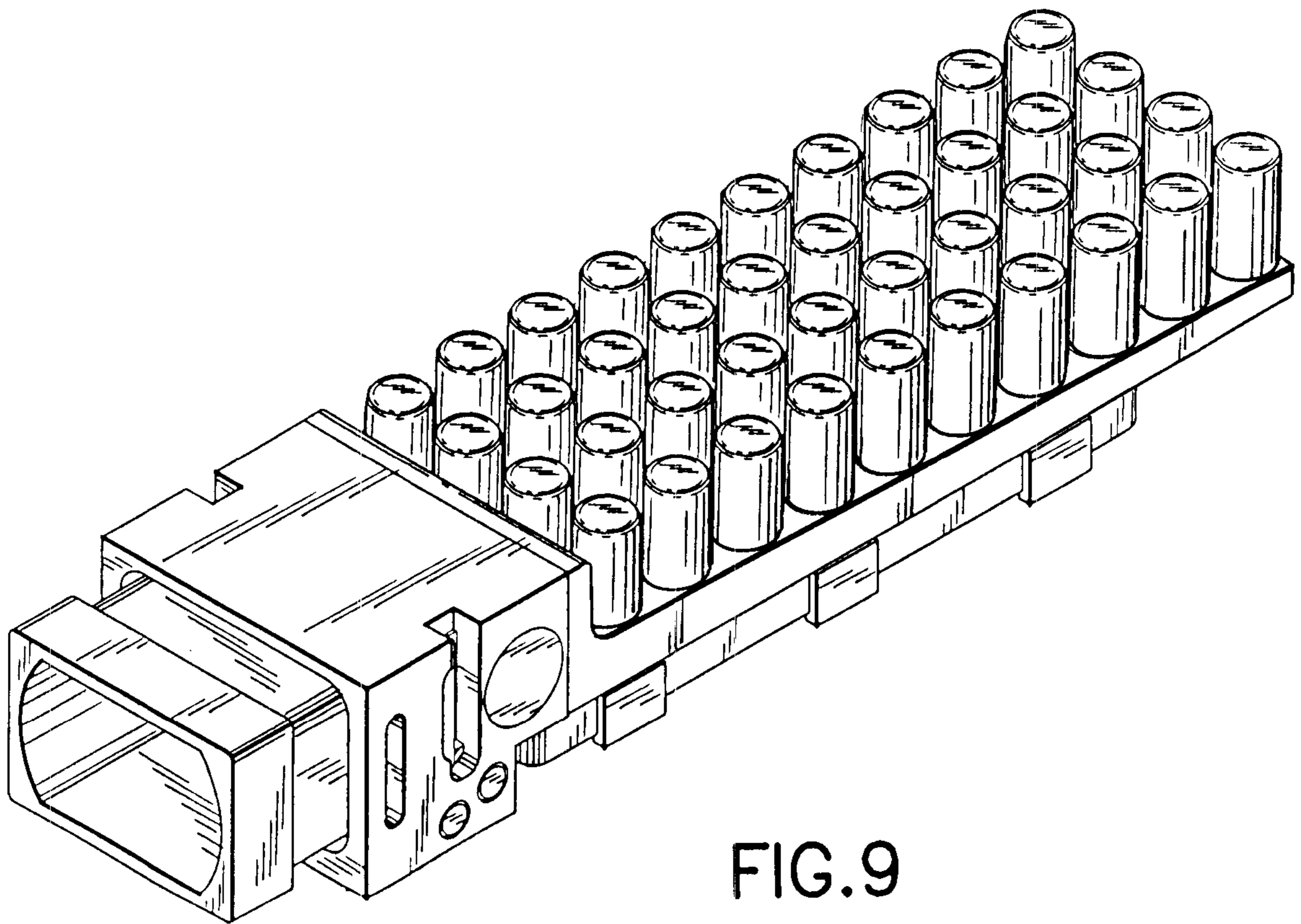


FIG. 9

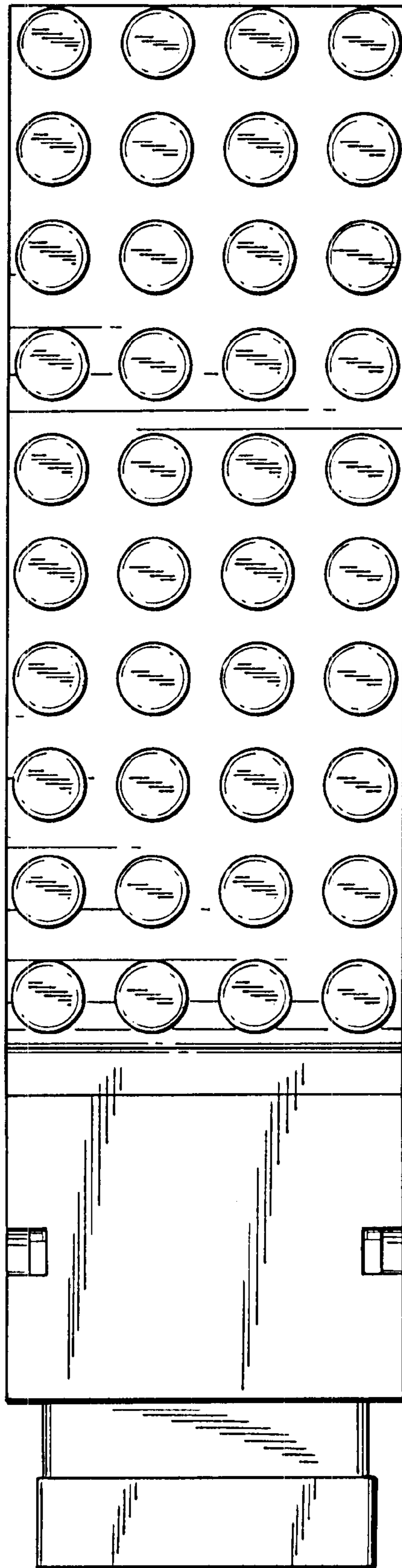


FIG.10

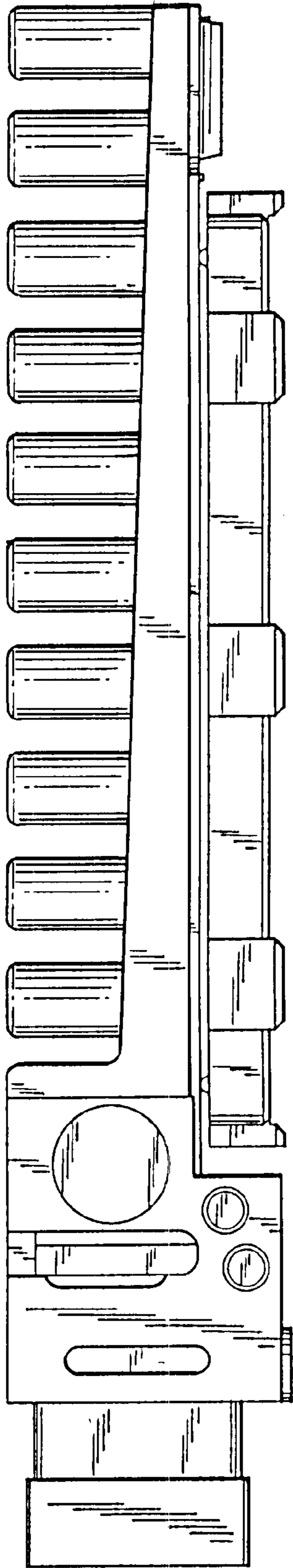


FIG. 11

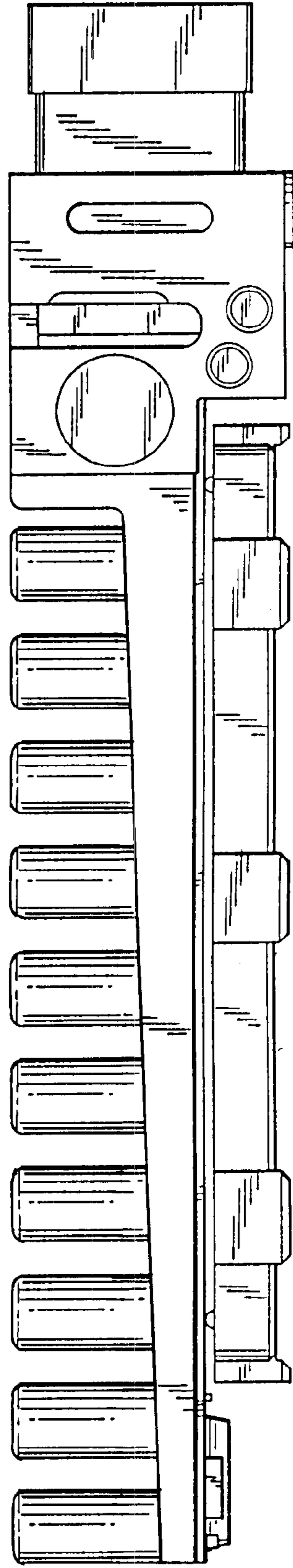


FIG. 12

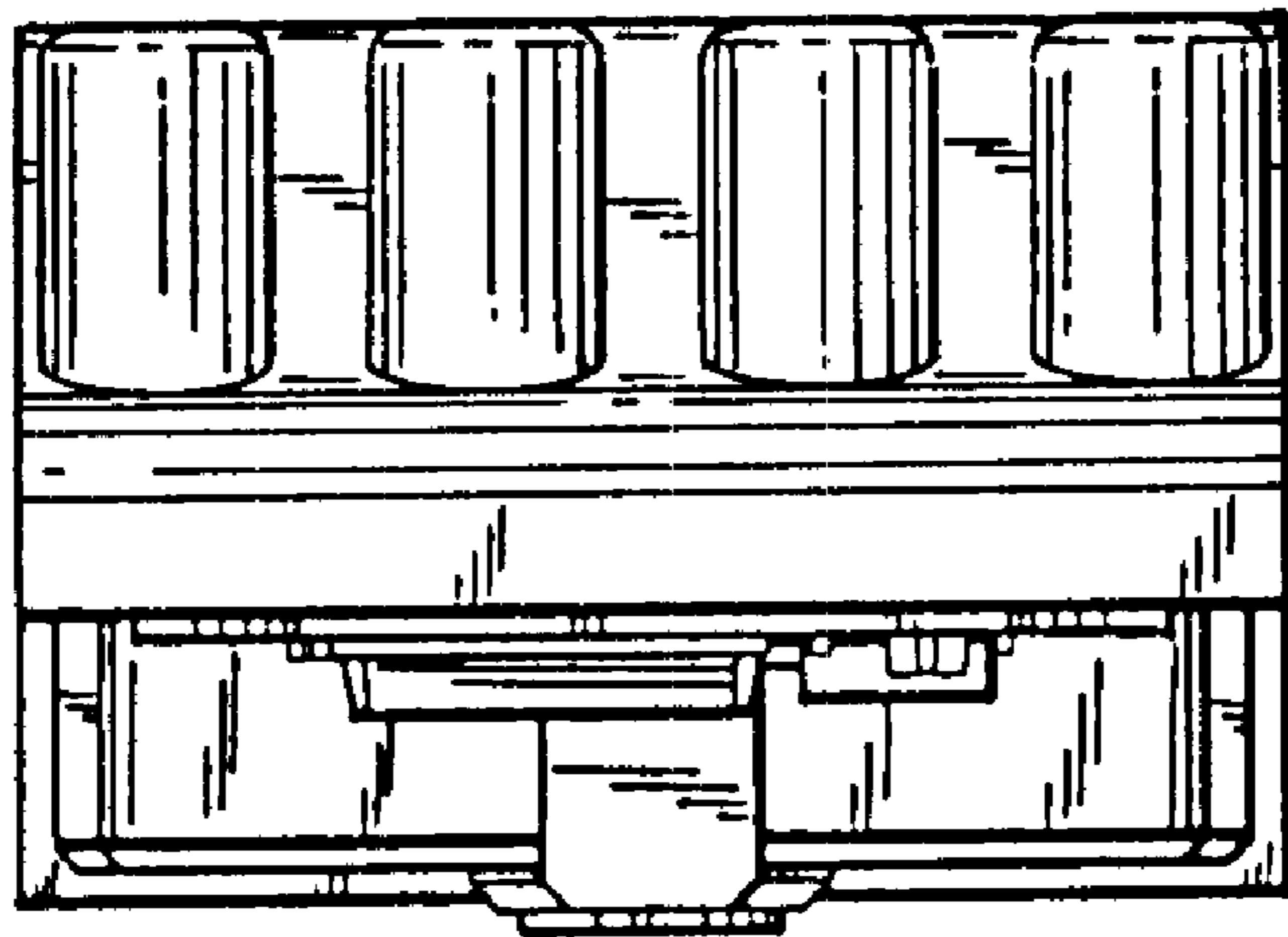


FIG. 13