



US00D476977S

(12) **United States Design Patent**
Gao et al.

(10) **Patent No.:** **US D476,977 S**

(45) **Date of Patent:** **** Jul. 8, 2003**

(54) **OPTICAL AMPLIFIER**

OTHER PUBLICATIONS

(75) Inventors: **Renfeng Gao**, Phoenixville, PA (US);
Joseph Chang, North Wales, PA (US)

(73) Assignee: **Photon-X, Inc.**, Malvern, PA (US)

(**) Term: **14 Years**

(21) Appl. No.: **29/148,903**

(22) Filed: **Sep. 28, 2001**

(51) **LOC (7) Cl.** **14-03**

(52) **U.S. Cl.** **D14/240; D13/182**

(58) **Field of Search** D14/137, 240,
D14/242, 356, 357, 358, 441, 144, 370,
341-347, 125, 432, 433, 155, 299, 257,
439, 140, 188, 230, 241, 243, 245; 379/433.01-433.13,
419, 434, 428.01-428.04, 420.01-420.04,
440, 441, 442; 455/550-575, 90; D13/184,
123, 152, 182, 147, 110, 164; 359/109,
117, 118

www.photon-x.net, Photon-X 3521 Amplifier Module. site visited Jun. 11, 2002.*

Keopsys website, www.keopsys.com, downloaded approx. Mar. 30, 2001.*

SDL website, www.sdli.com, downloaded approx. Mar. 30, 2001.*

JDS Uniphase website, www.jdsuniphase.com, downloaded approx. Mar. 30, 2001.*

* cited by examiner

Primary Examiner—Jeffrey Asch

(74) *Attorney, Agent, or Firm*—Joseph E. Maenner; Monte & McGraw, P.C.

(57) **CLAIM**

The ornamental design for an optical amplifier, as shown and described.

DESCRIPTION

FIG. 1 is a perspective view of an optical amplifier in accordance with my new design.

FIG. 2 is a top view of the optical amplifier shown in FIG. 1.

FIG. 3 is a bottom view of the optical amplifier shown in FIG. 1.

FIG. 4 is a first end view of the optical amplifier shown in FIG. 1, a second end view being identical.

FIG. 5 is a side view of the optical amplifier shown in FIG. 1; and,

FIG. 6 is a right side view of the optical amplifier shown in FIG. 1.

(56) **References Cited**

U.S. PATENT DOCUMENTS

D310,998 S	*	10/1990	Lee et al.	D14/107
D331,573 S	*	12/1992	Iino	D14/107
D338,674 S	*	8/1993	Fogarty, Sr.	D14/218
D394,656 S	*	5/1998	Kato et al.	D14/159
5,769,643 A	*	6/1998	Stevens, III	434/350
5,778,132 A	*	7/1998	Csipkes et al.	359/341.1 X
D421,968 S	*	3/2000	Matsumura	D13/182
D426,522 S	*	6/2000	Matsumura	D13/182
D432,504 S	*	10/2000	Matsumura	D13/182
D433,642 S	*	11/2000	Bauman	D10/104
D463,414 S	*	9/2002	Gao	D14/240

1 Claim, 3 Drawing Sheets

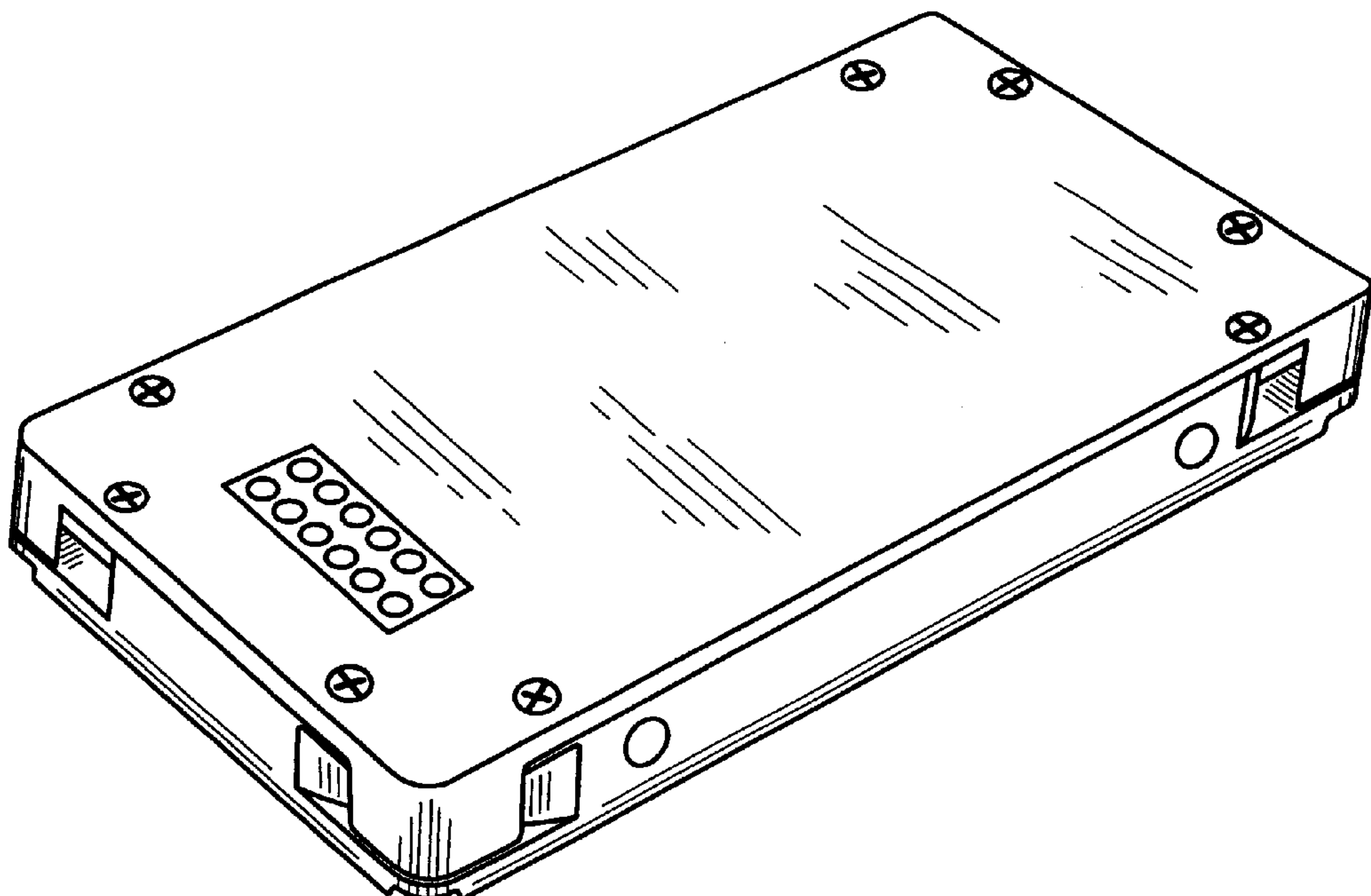
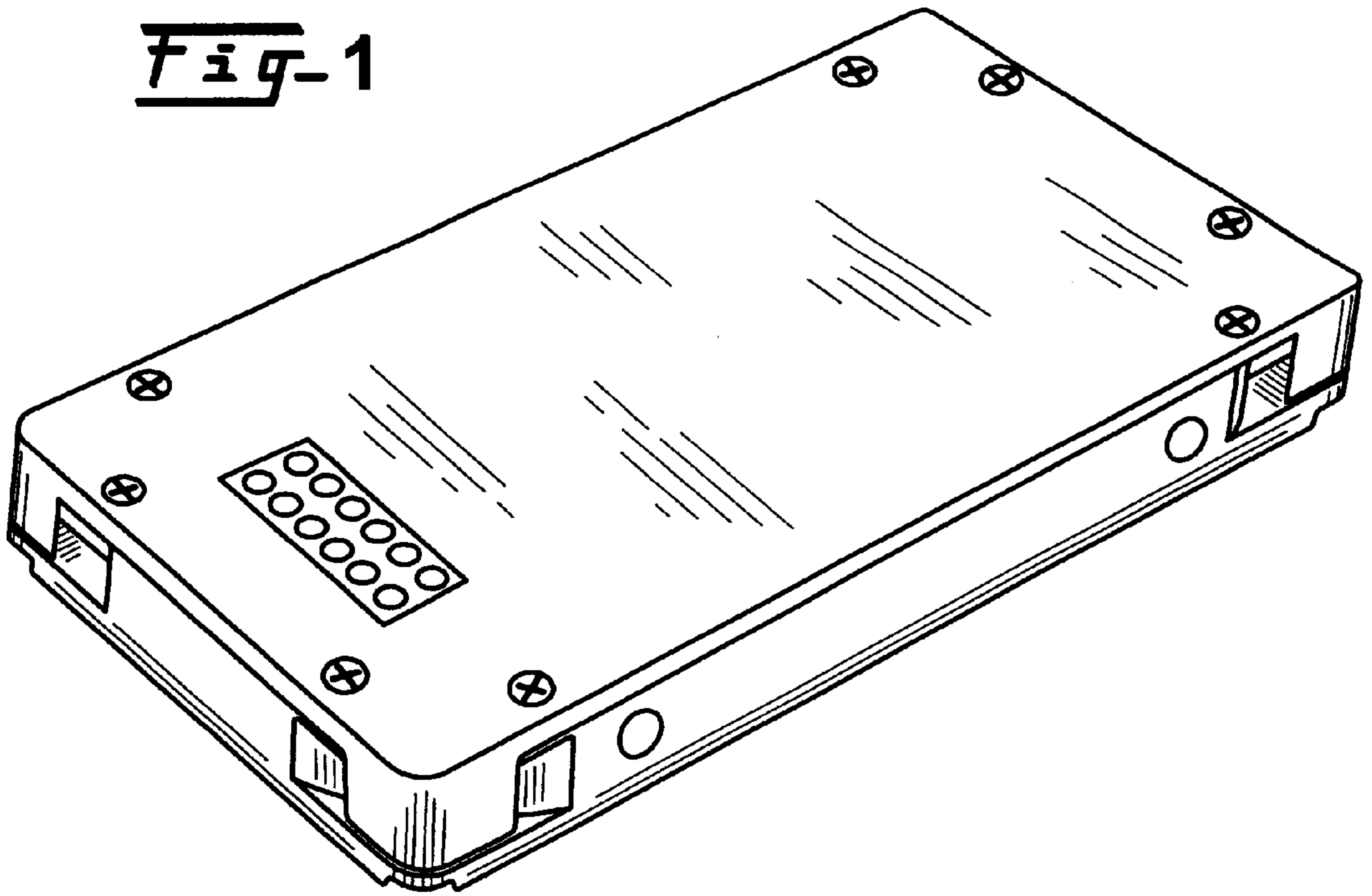


Fig-1



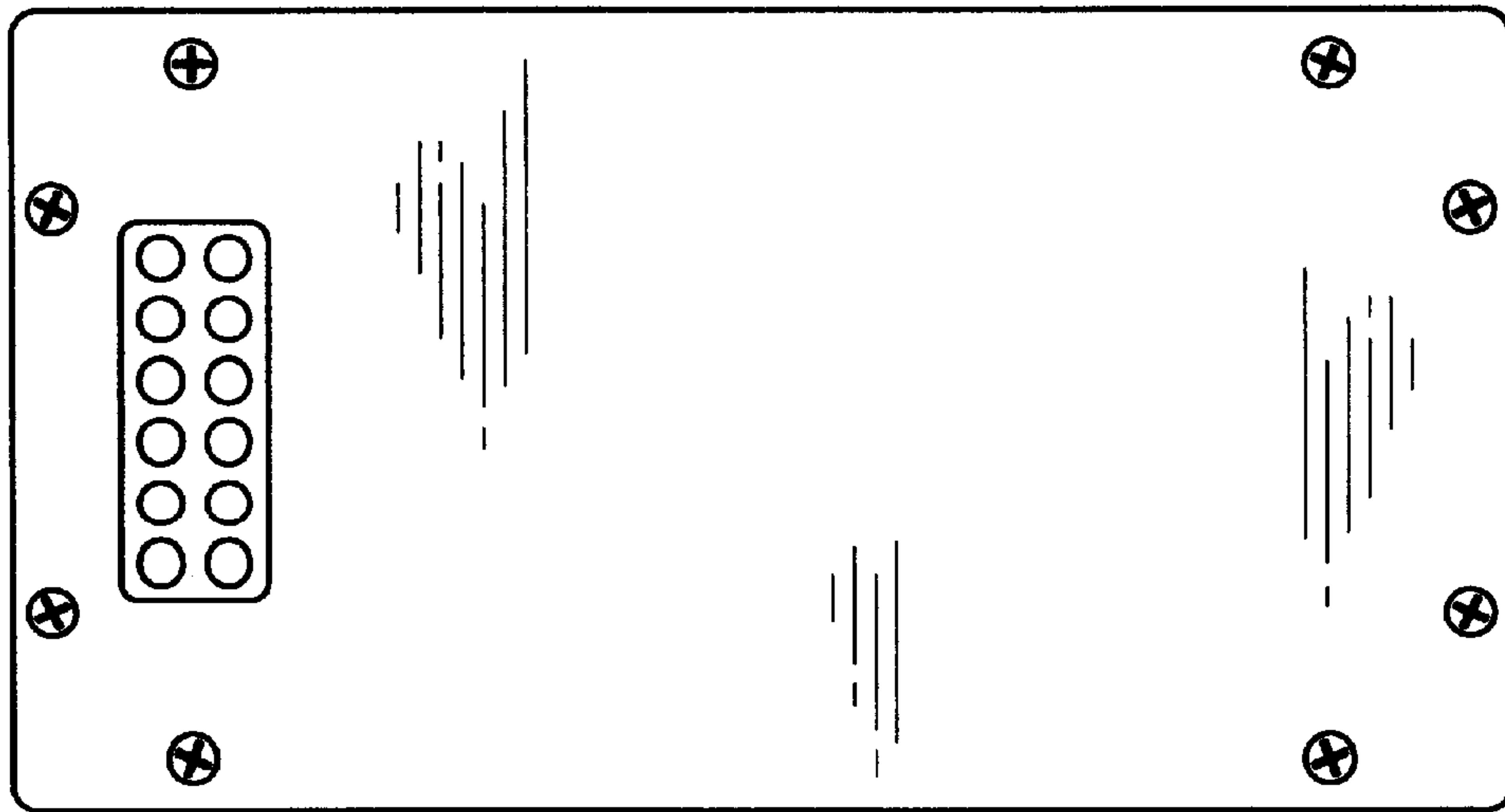


Fig-2

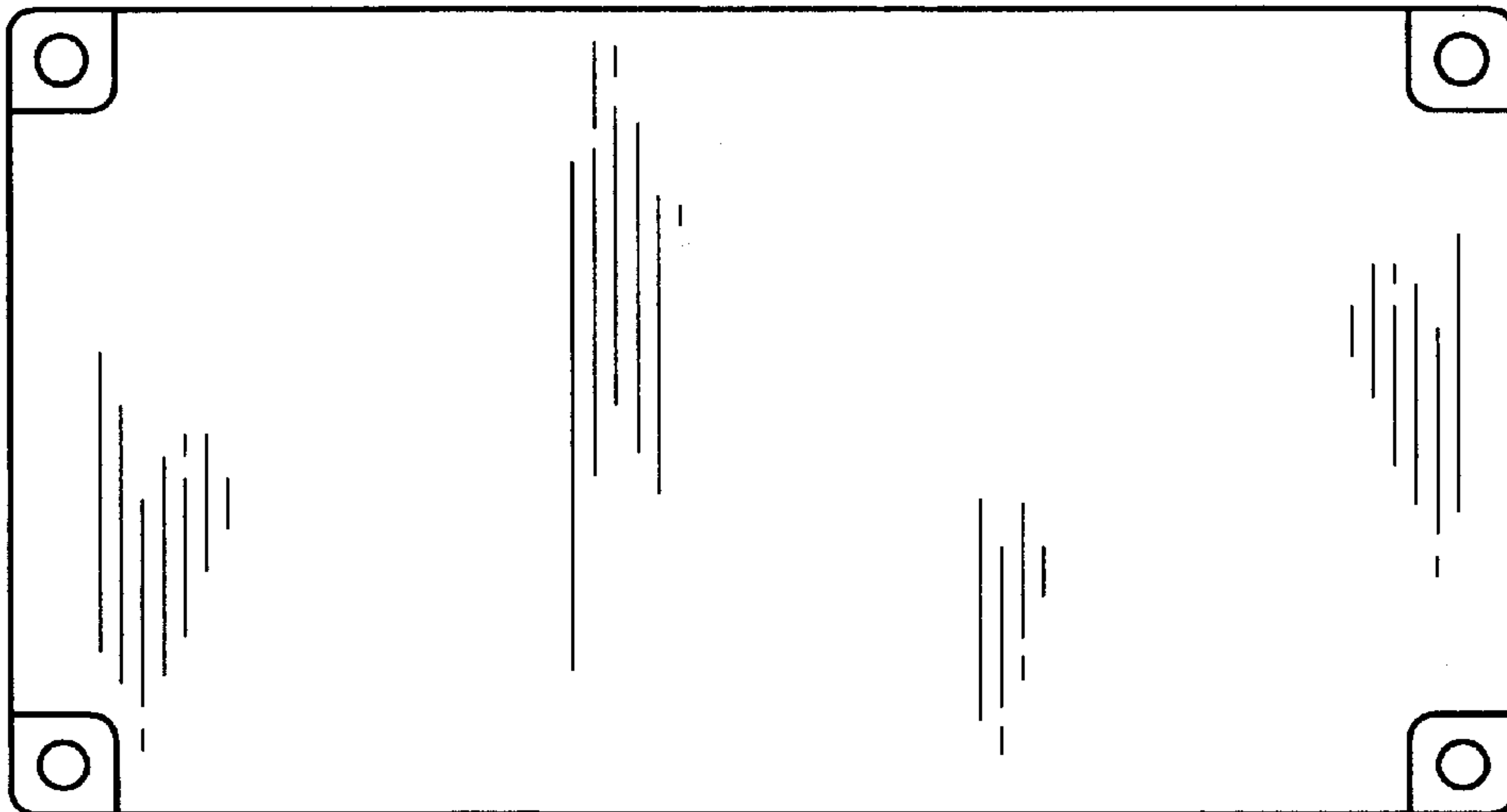


Fig-3

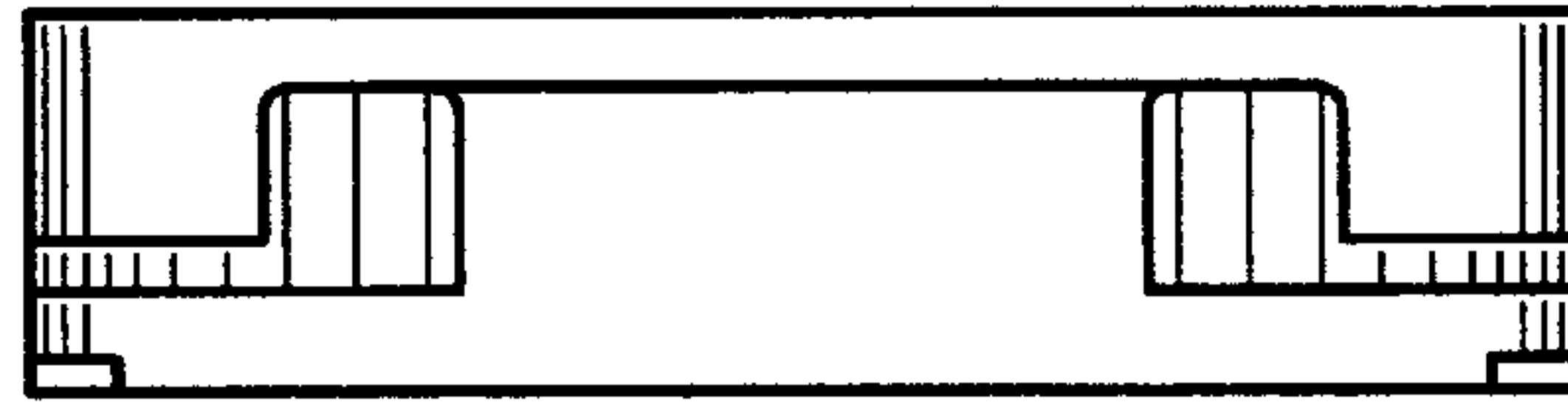


Fig-4

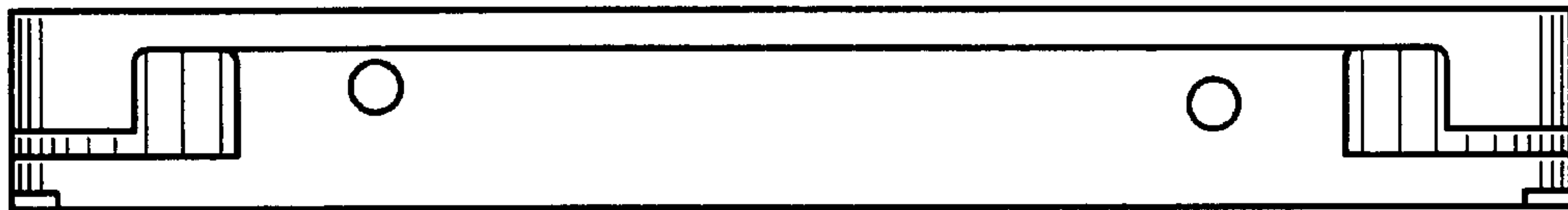


Fig-5



Fig-6