



US00D476974S

(12) **United States Design Patent**  
**Goto**

(10) **Patent No.:** **US D476,974 S**

(45) **Date of Patent:** **\*\* Jul. 8, 2003**

(54) **REMOTE CONTROLLER FOR ELECTRONIC DEVICE**

(75) Inventor: **Teiyu Goto, Tokyo (JP)**

(73) Assignee: **Sony Computer Entertainment Inc., Tokyo (JP)**

(\*\*) Term: **14 Years**

(21) Appl. No.: **29/165,146**

(22) Filed: **Aug. 7, 2002**

**Related U.S. Application Data**

(62) Division of application No. 29/139,245, filed on Mar. 28, 2001.

(30) **Foreign Application Priority Data**

Nov. 2, 2000	(JP)	.....	D2000-031458
Nov. 2, 2000	(JP)	.....	D2000-031459
Nov. 2, 2000	(JP)	.....	D2000-031460
Nov. 2, 2000	(JP)	.....	D2000-031461
Nov. 2, 2000	(JP)	.....	D2000-031462

(51) **LOC (7) Cl.** ..... **14-03**

(52) **U.S. Cl.** ..... **D14/218**

(58) **Field of Search** ..... D14/174, 217, D14/218, 137-139, 151, 191-193, 124, 299, 167-168; D13/168, 162-164; D21/512-517, 566; D10/104, 106; 455/352-355, 151.1-151.4; 348/114, 734

(56) **References Cited**

**U.S. PATENT DOCUMENTS**

D366,262 S \* 1/1996 Inaba ..... D14/218

D368,263 S	*	3/1996	Hendricks	.....	D14/218
D375,057 S		10/1996	Heun	.....	D10/104
D384,940 S		10/1997	Kono et al.	.....	D13/168
D387,061 S		12/1997	Nozoe	.....	D14/218
D398,310 S		9/1998	Barhold et al.	.....	D14/218

**OTHER PUBLICATIONS**

HI-FI & HI-VI Monthly p. 126 (Mar. 2000).

\* cited by examiner

*Primary Examiner*—Louis S. Zarfes

*Assistant Examiner*—Deanne Levy

(74) *Attorney, Agent, or Firm*—Rader, Fishman & Grauer PLLC

(57) **CLAIM**

The ornamental design for a remote controller for an electronic device, as shown and described.

**DESCRIPTION**

FIG. 1 is a top, front, right side perspective view of a remote controller for an electronic device showing my new design; FIG. 2 is a bottom, rear, left side perspective view thereof; FIG. 3 is a front elevational view thereof; FIG. 4 is a rear elevational view thereof; FIG. 5 is a top plan view thereof, a bottom plan view thereof being a mirror image; FIG. 6 is a left side elevational view thereof; and, FIG. 7 is a right side elevational view thereof.

Portions in broken lines are for illustrative purposes only and form no part of the claimed design.

**1 Claim, 2 Drawing Sheets**

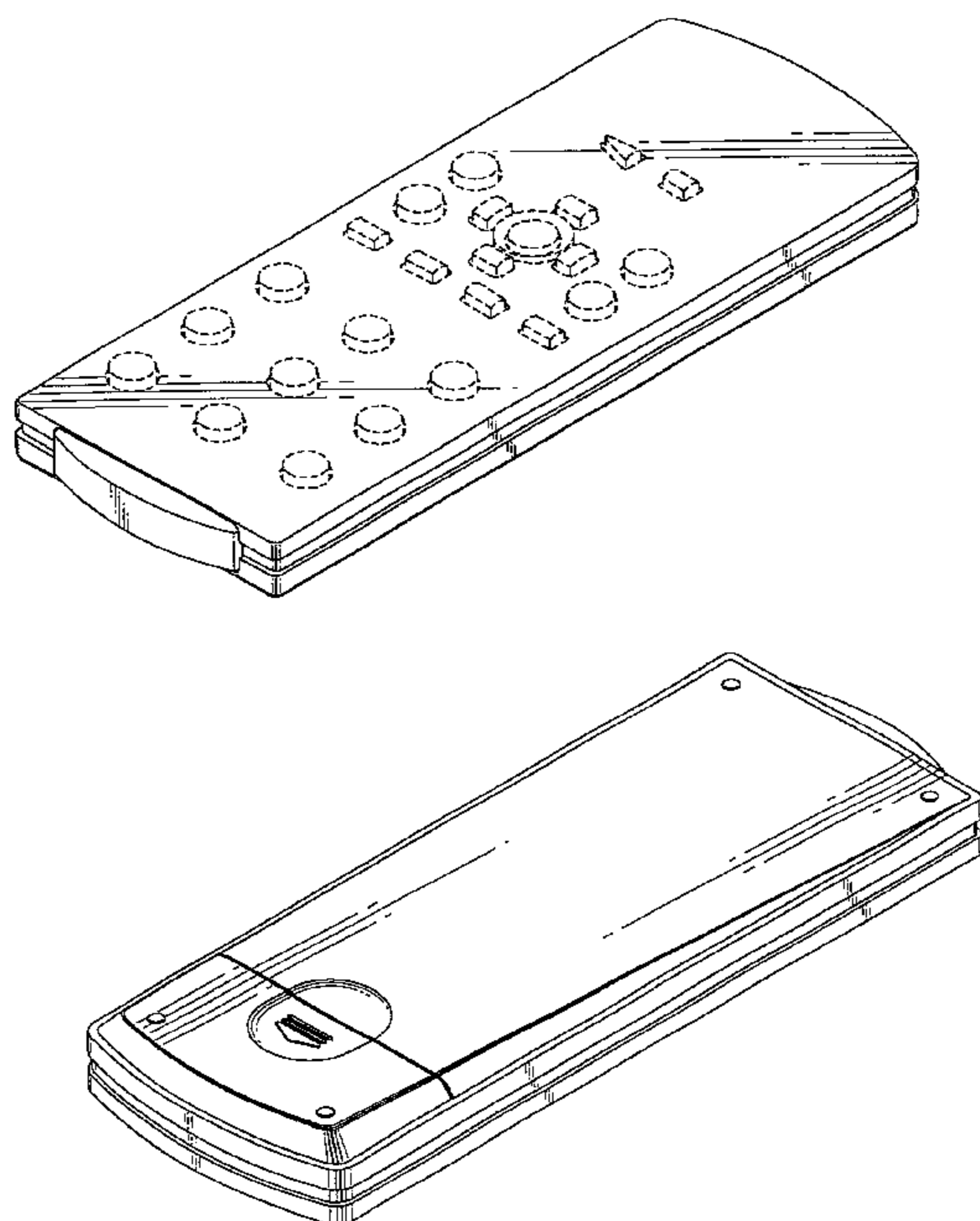


FIG. 1

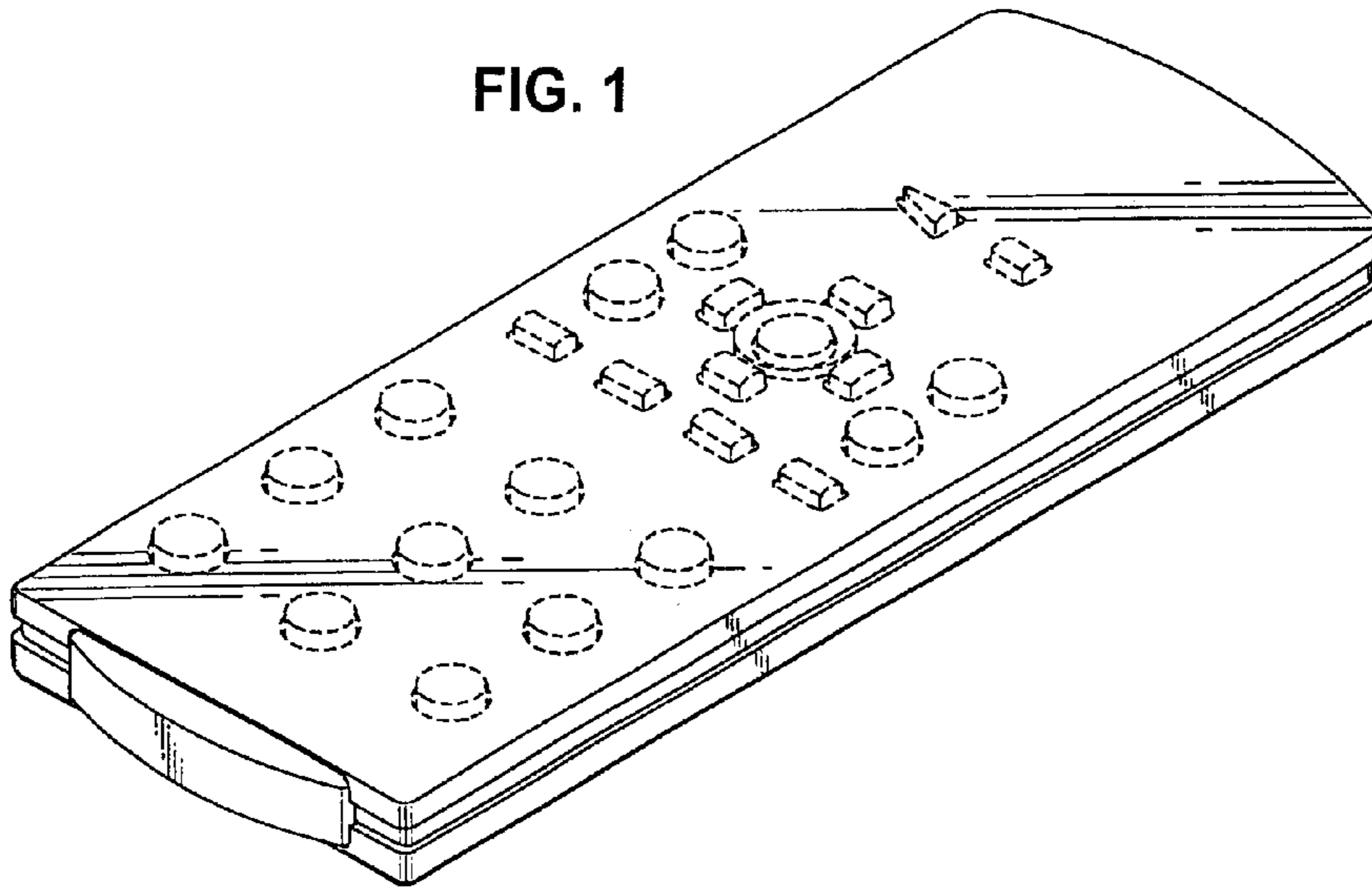


FIG. 2

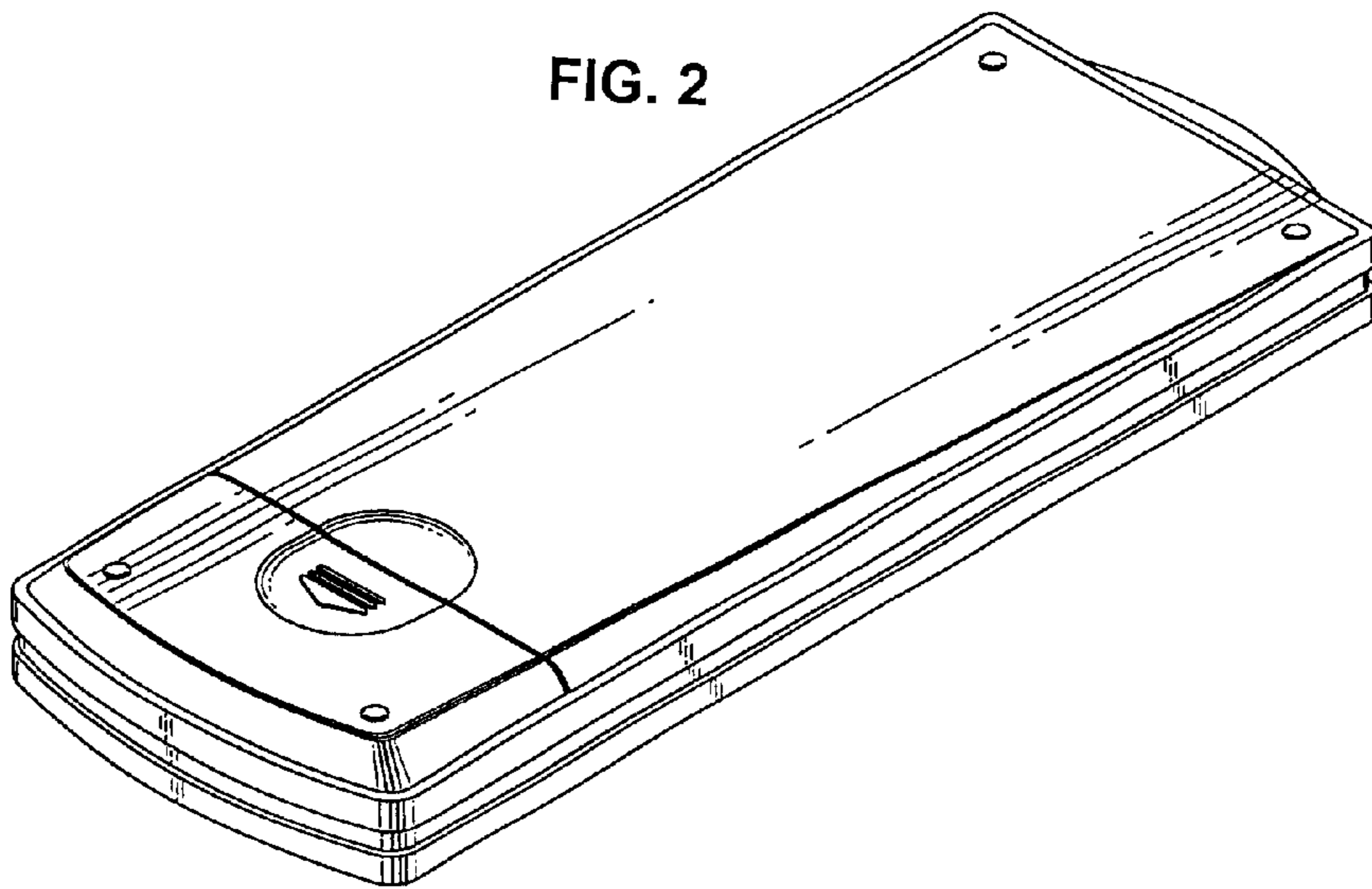


FIG. 3

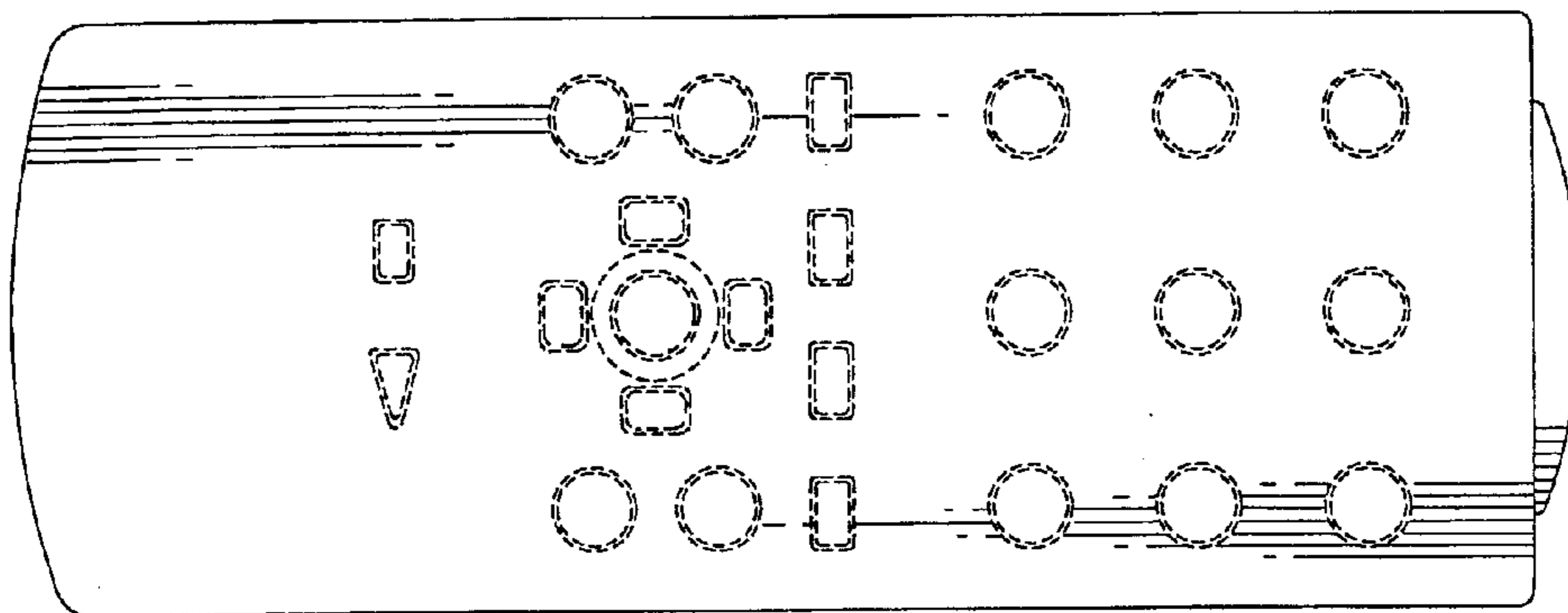


FIG. 4

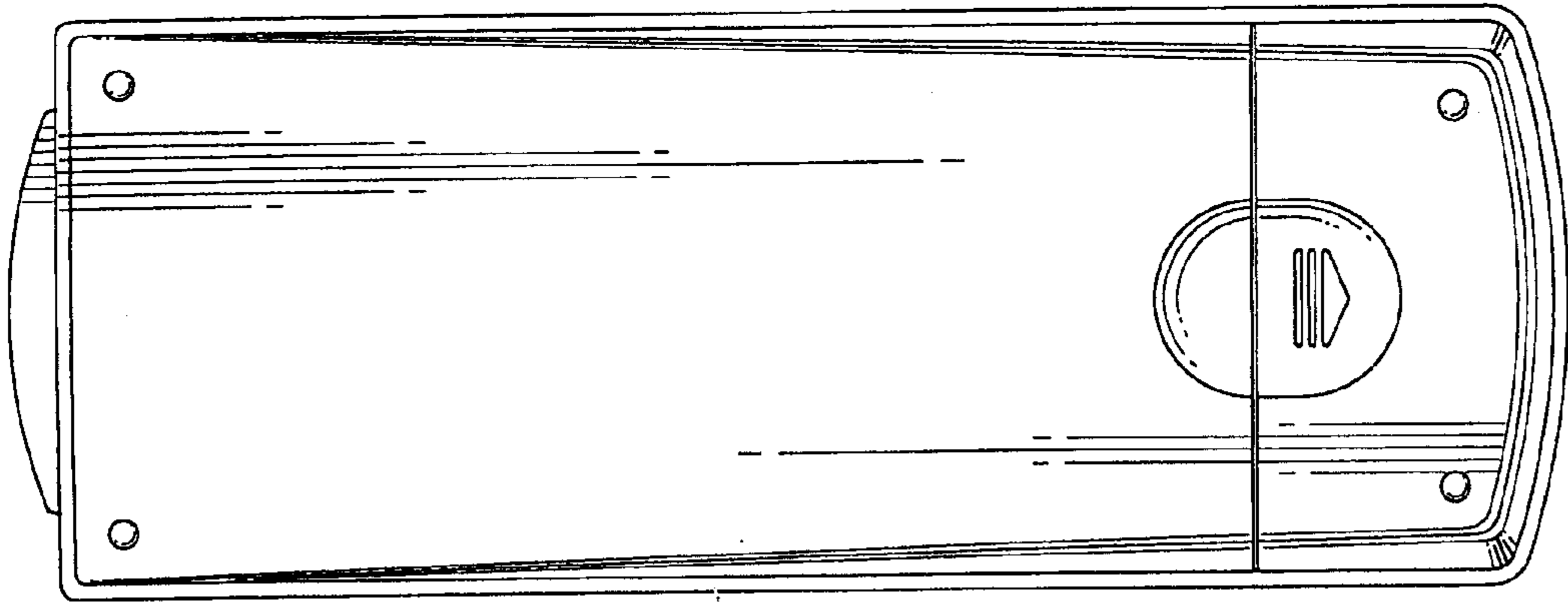


FIG. 5

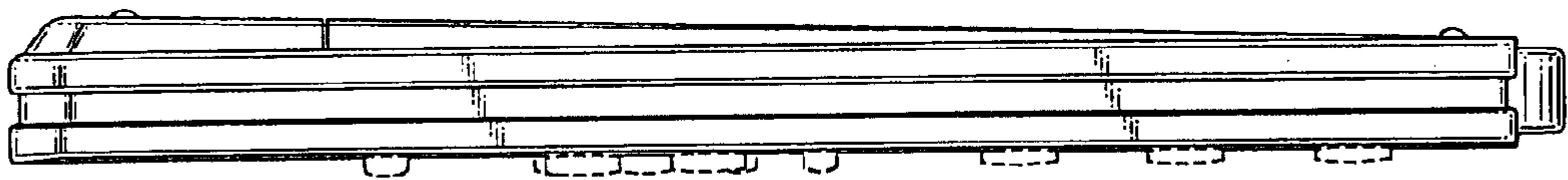


FIG. 6



FIG. 7

