



US00D476968S

(12) **United States Design Patent**  
**Yokoyama**

(10) **Patent No.:** **US D476,968 S**

(45) **Date of Patent:** **\*\* Jul. 8, 2003**

(54) **PORTABLE PHONE**

(75) Inventor: **Hiroko Yokoyama, Yokohama (JP)**

(73) Assignee: **Kabushiki Kaisha Toshiba (JP)**

(\*\*) Term: **14 Years**

(21) Appl. No.: **29/164,334**

(22) Filed: **Jul. 24, 2002**

(30) **Foreign Application Priority Data**

Mar. 15, 2002 (JP) ..... 2002-006932

(51) **LOC (7) Cl.** ..... **14-03**

(52) **U.S. Cl.** ..... **D14/138**

(58) **Field of Search** ..... D14/137, 138,  
D14/218, 147-148, 247-248, 144, 341-347;  
379/433.01-433.13, 419, 434, 428.01-428.04,  
420.01-420.04, 440; 455/550-575, 90;  
D21/517

(56) **References Cited**

**U.S. PATENT DOCUMENTS**

D432,105 S	*	10/2000	Hyun	.....	D14/138
D440,955 S		4/2001	Tanaka et al.		
D443,866 S	*	6/2001	Arbisi et al.	.....	D14/138
D446,201 S	*	8/2001	Kim	.....	D14/138
D450,672 S	*	11/2001	Arbisi et al.	.....	D14/138
D454,550 S	*	3/2002	Hayasaka et al.	.....	D14/138
D456,378 S	*	4/2002	Fujimoto	.....	D14/138
D458,240 S	*	6/2002	Suzuki et al.	.....	D14/138
D458,594 S	*	6/2002	Jang	.....	D14/138
D458,913 S	*	6/2002	Suzuki et al.	.....	D14/138
D459,322 S	*	6/2002	Hyun	.....	D14/138
D459,329 S	*	6/2002	Suzuki et al.	.....	D14/138
D459,330 S	*	6/2002	Suzuki et al.	.....	D14/138
D464,634 S	*	10/2002	Tamaru et al.	.....	D14/138
D468,713 S	*	1/2003	Lee et al.	.....	D14/138
D469,070 S	*	1/2003	Lee	.....	D14/138
2001/0011030 A1	*	8/2001	Kuroda	.....	455/566
2002/0006809 A1	*	1/2002	Kubo et al.	.....	455/550
2002/0013159 A1	*	1/2002	Takahashi et al.	.....	455/550

2002/0098810 A1	*	7/2002	Murakami	.....	455/90
2002/0146989 A1	*	10/2002	Moriki	.....	455/90
2002/0187818 A1	*	12/2002	Kang	.....	455/575

**FOREIGN PATENT DOCUMENTS**

JP	1088921	10/2000
JP	1114304	7/2001
JP	1118187	8/2001

**OTHER PUBLICATIONS**

Home page "Digital Mova" NTTDoCoMo, Sep. 26, 2000, 209iS, 209i, and 502i telephones, copy on examiner's office.\*

"J-Phone", Sanyo J-SA03; Nokia J-NM01, Jul. 25, 2001. "feel-H", Sanyo RZ-J90, Jan. 21, 2001.

\* cited by examiner

*Primary Examiner*—Jeffrey Asch

(74) *Attorney, Agent, or Firm*—Banner & Witcoff, Ltd.

(57) **CLAIM**

The ornamental design for a portable phone, as shown and described.

**DESCRIPTION**

FIG. 1 is a top, front and right side perspective view of a portable phone showing my new design, FIG. 2 is a front elevational view thereof, FIG. 3 is a rear elevational view thereof, FIG. 4 is a left side elevational view thereof, FIG. 5 is a right side elevational view thereof, FIG. 6 is a top plan view thereof, FIG. 7 is a bottom plan view thereof, FIG. 8 is a top plan view showing the article with the cover being in a closed position thereof, FIG. 9 is a front elevational view showing the article with the cover being in the closed position thereof; and, FIG. 10 is a right side elevational showing the article with the cover being in the closed position thereof.

**1 Claim, 5 Drawing Sheets**

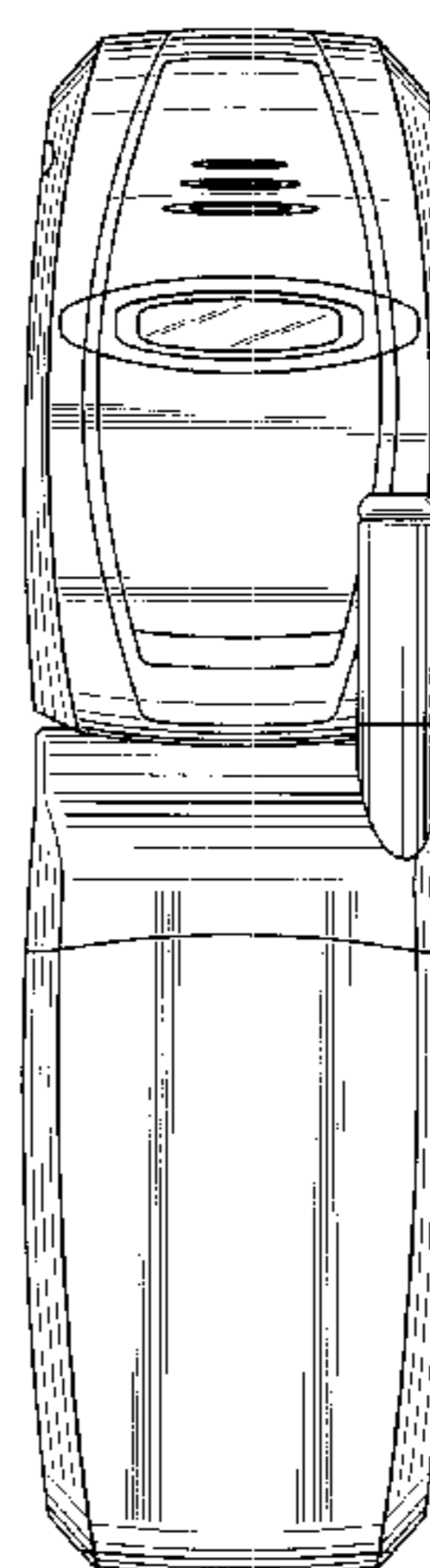
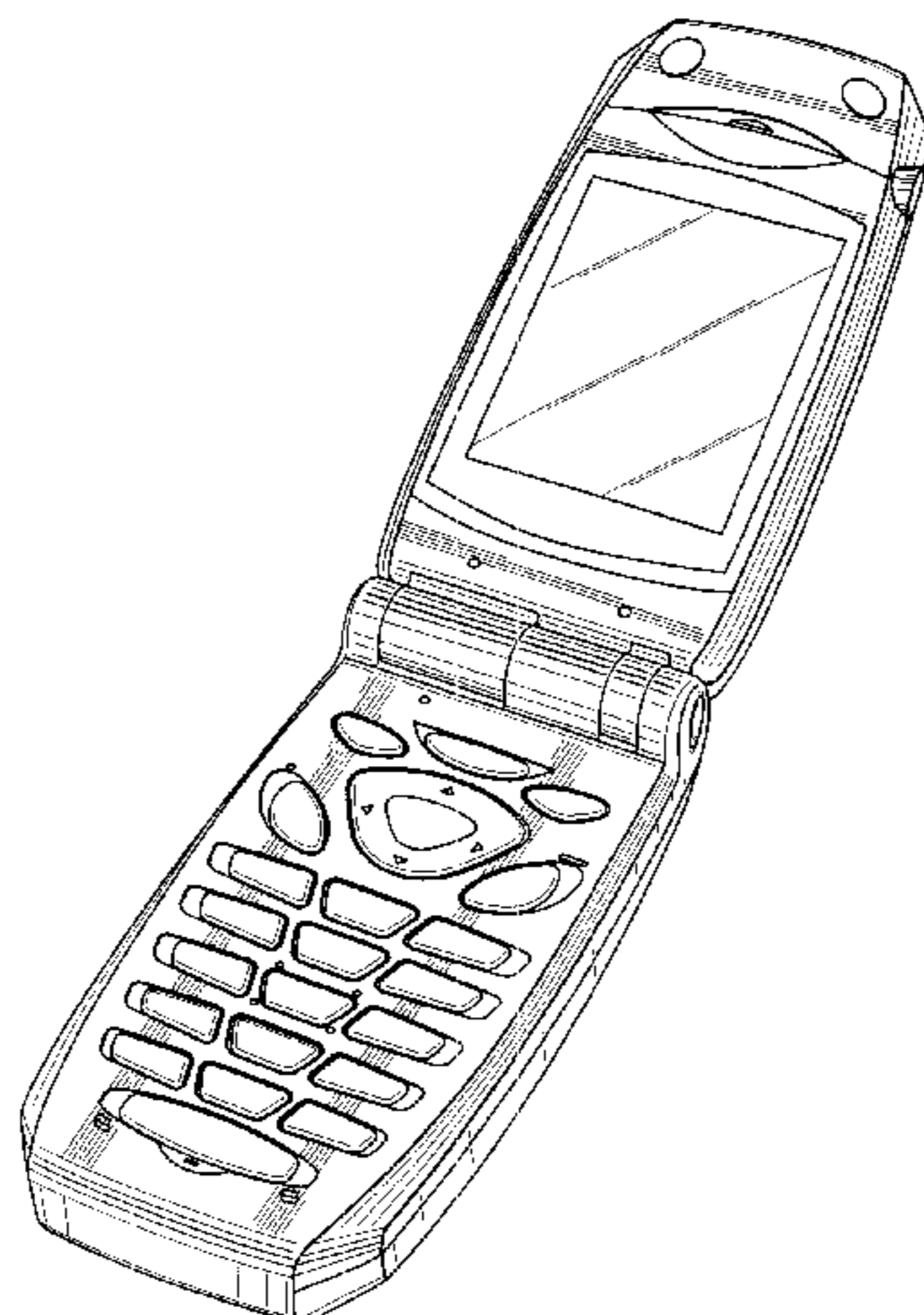


FIG. 1

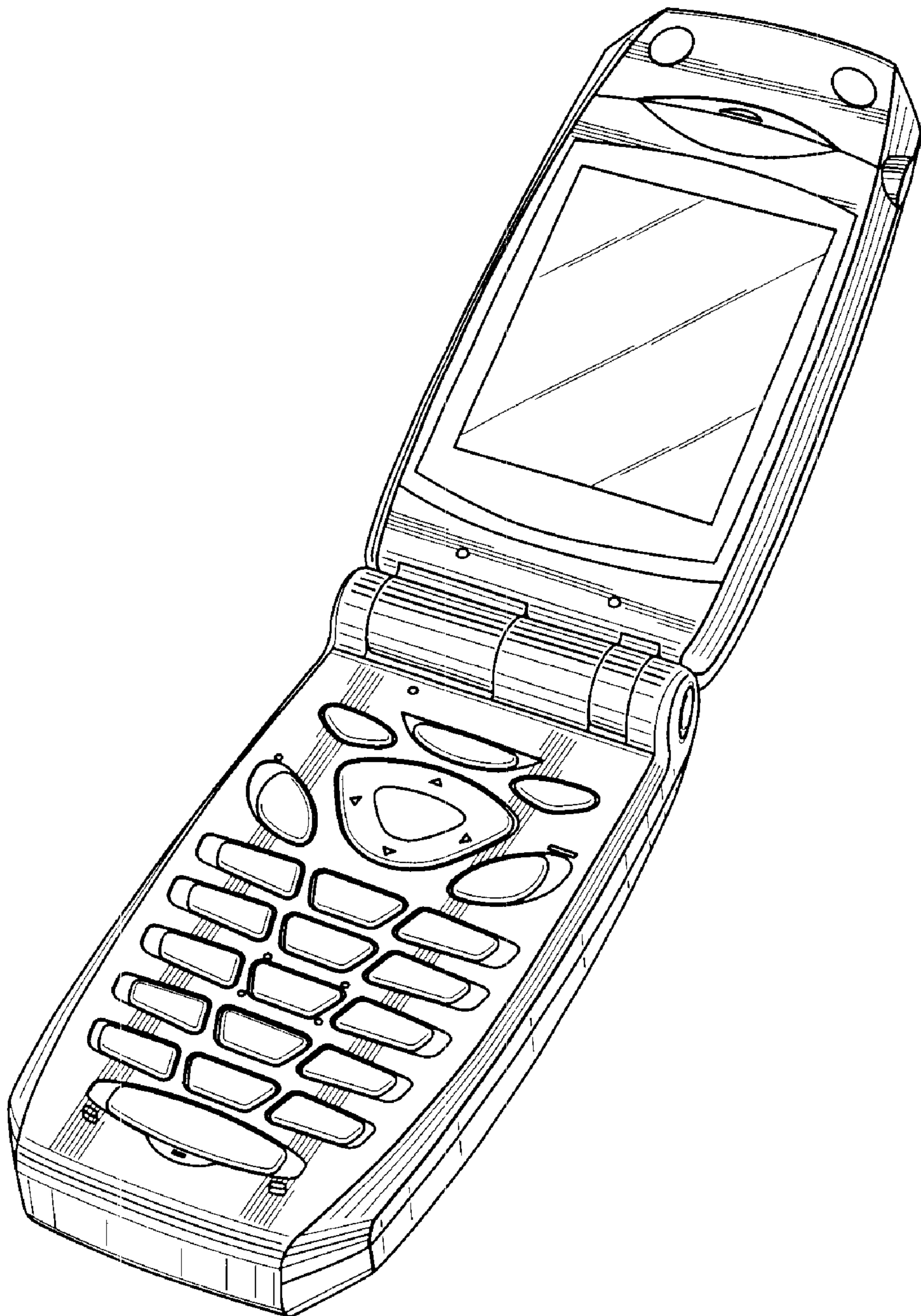


FIG. 2

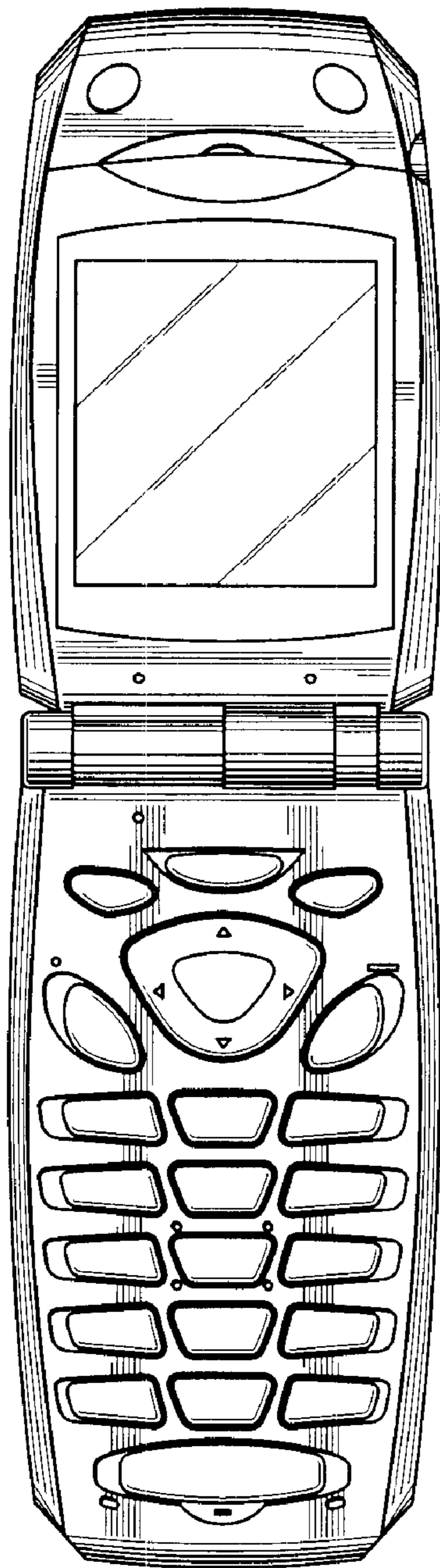


FIG. 3

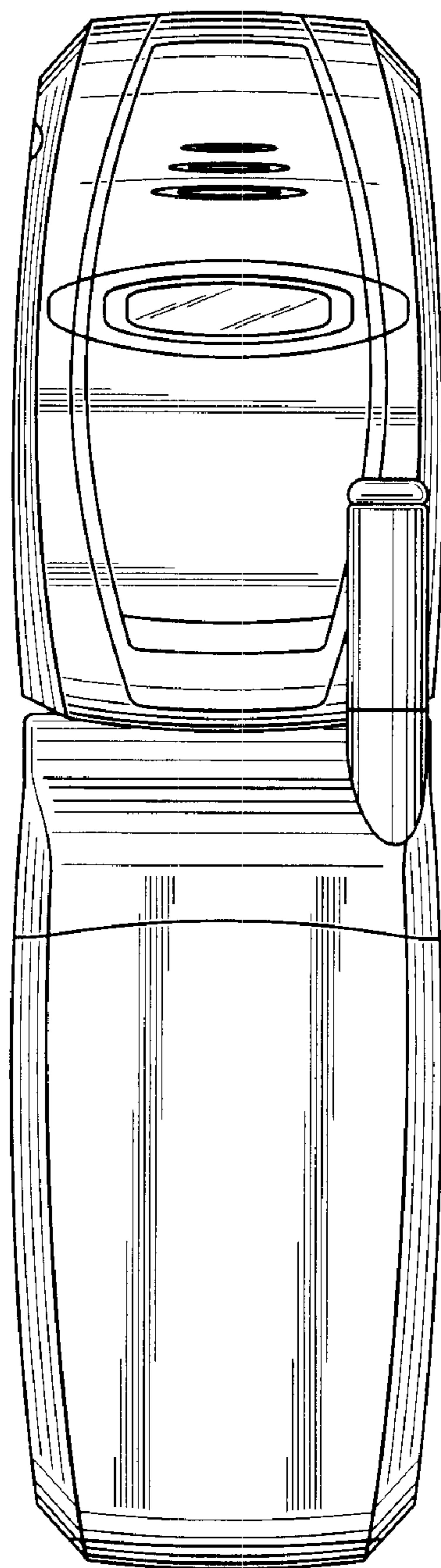




FIG. 4

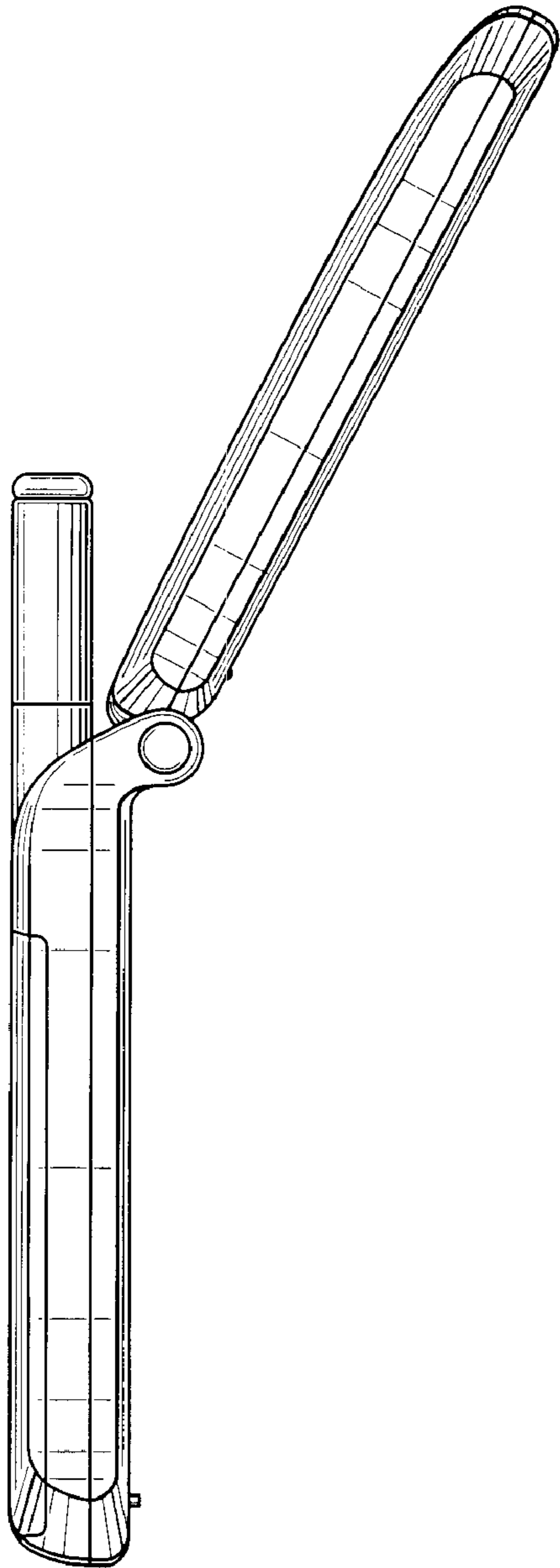


FIG. 5

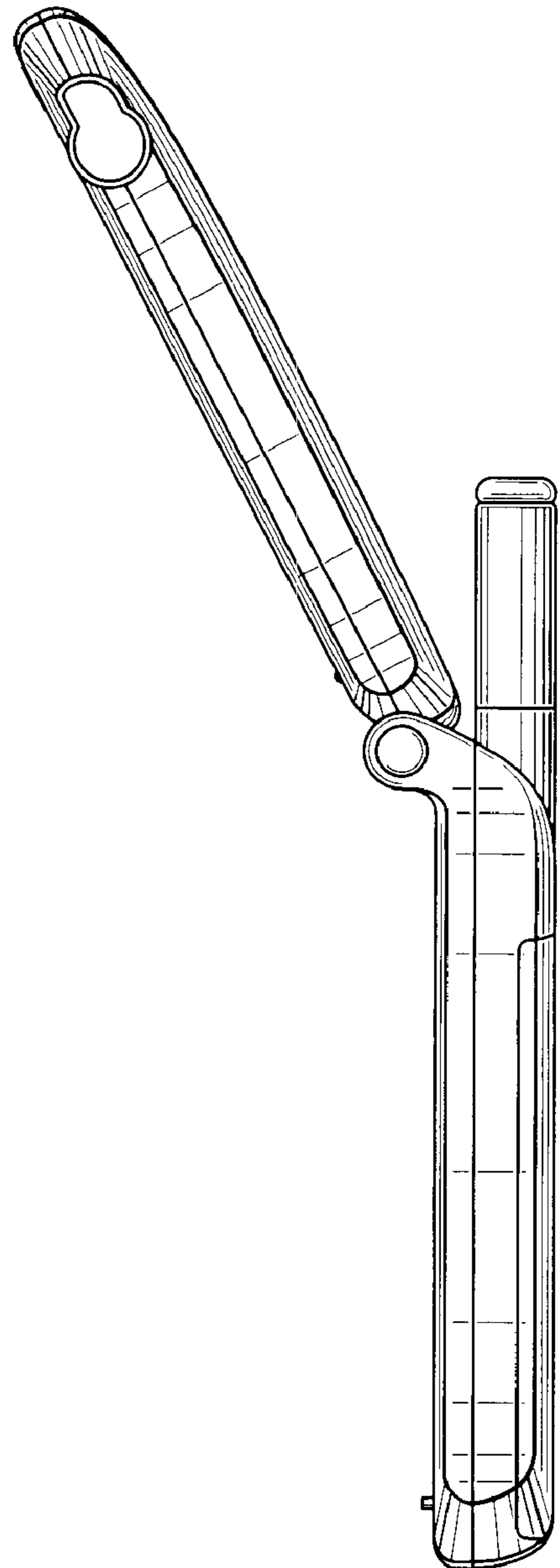


FIG. 6

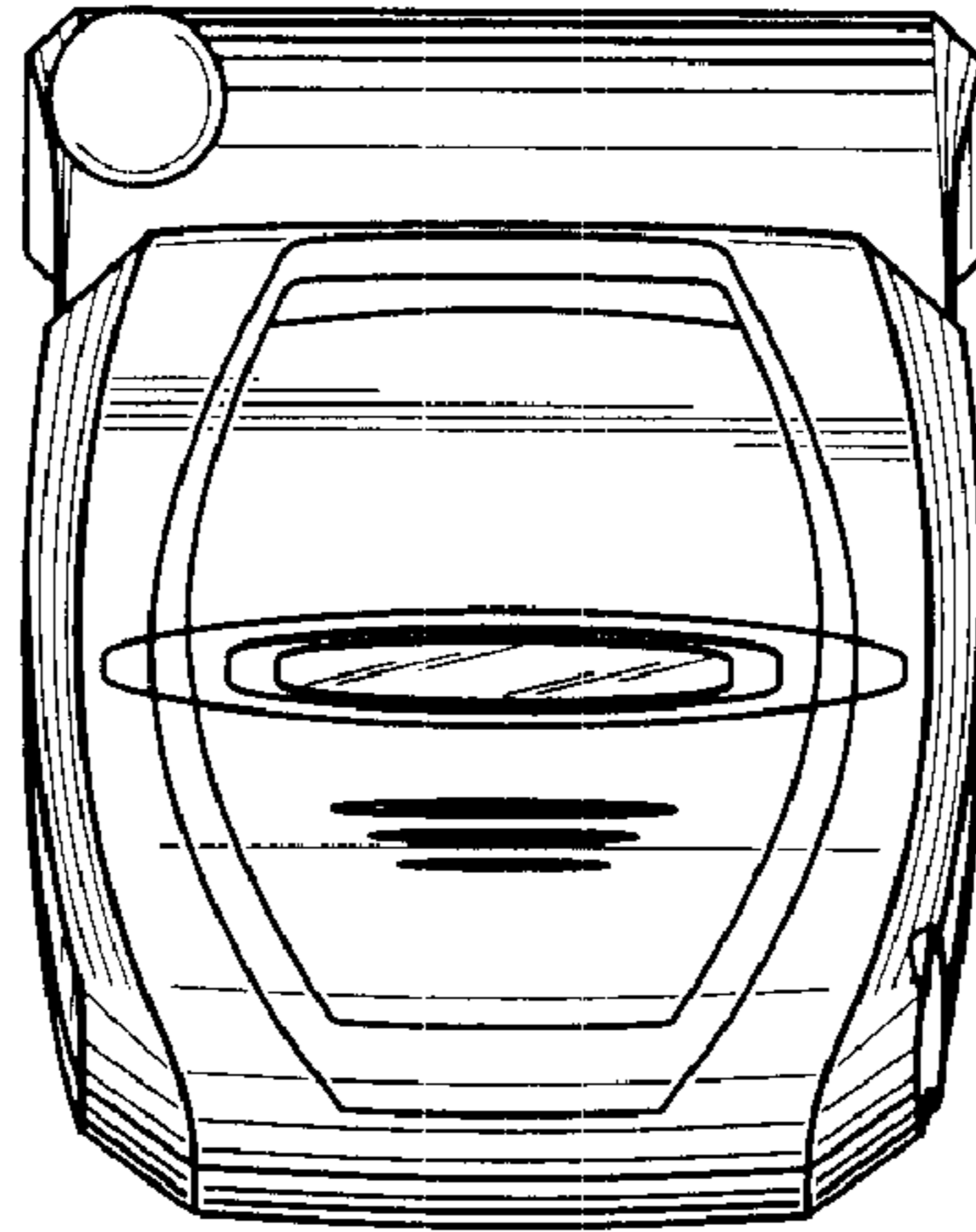


FIG. 7

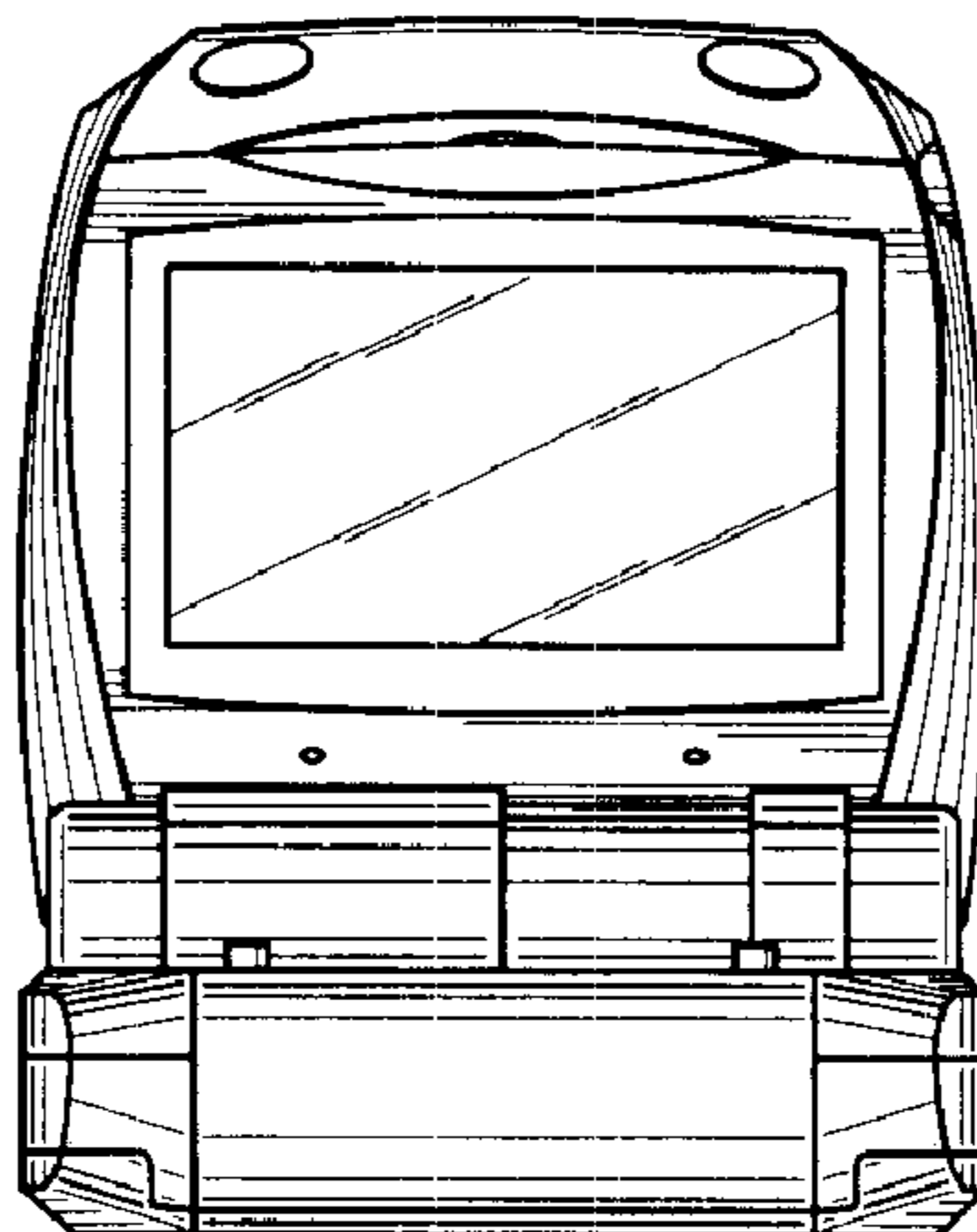


FIG. 8

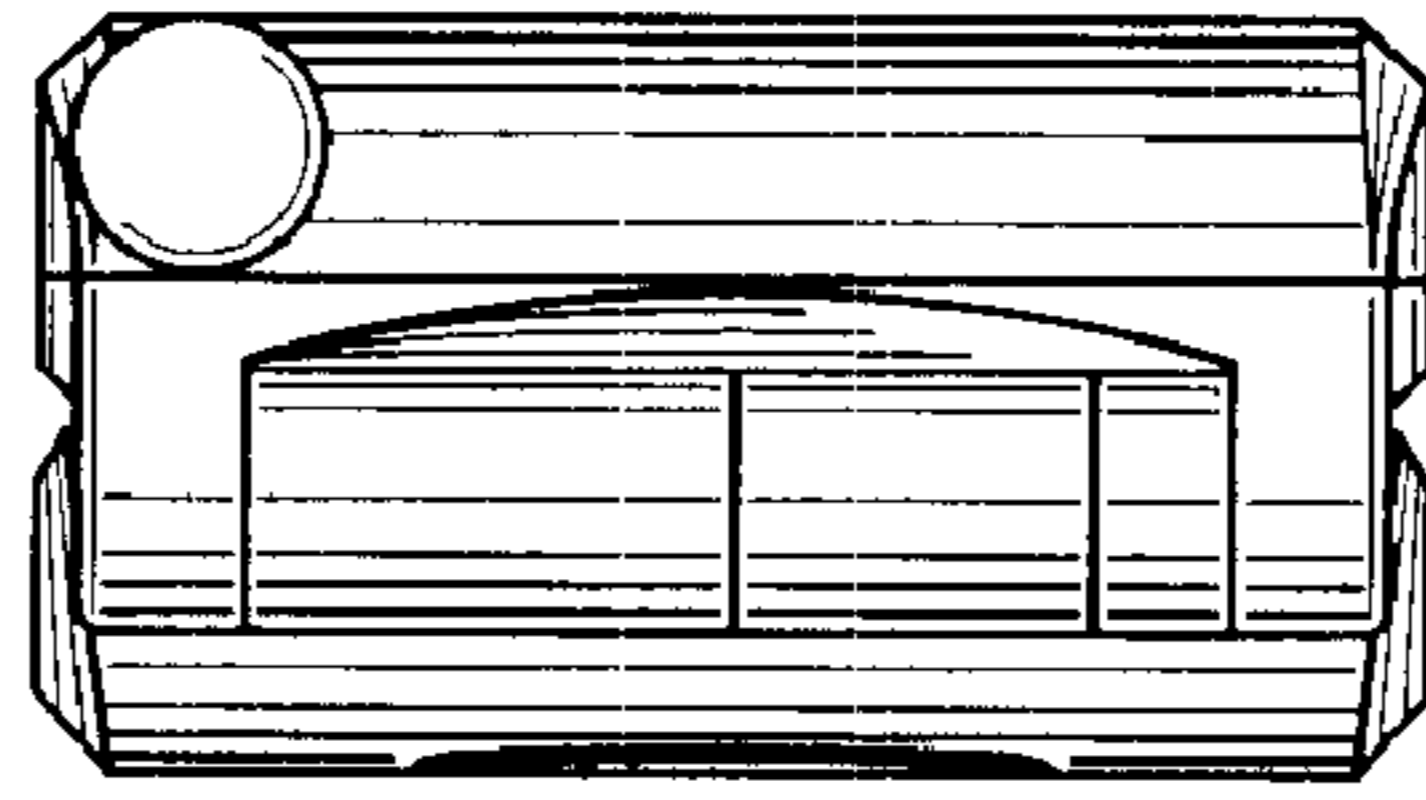


FIG. 9

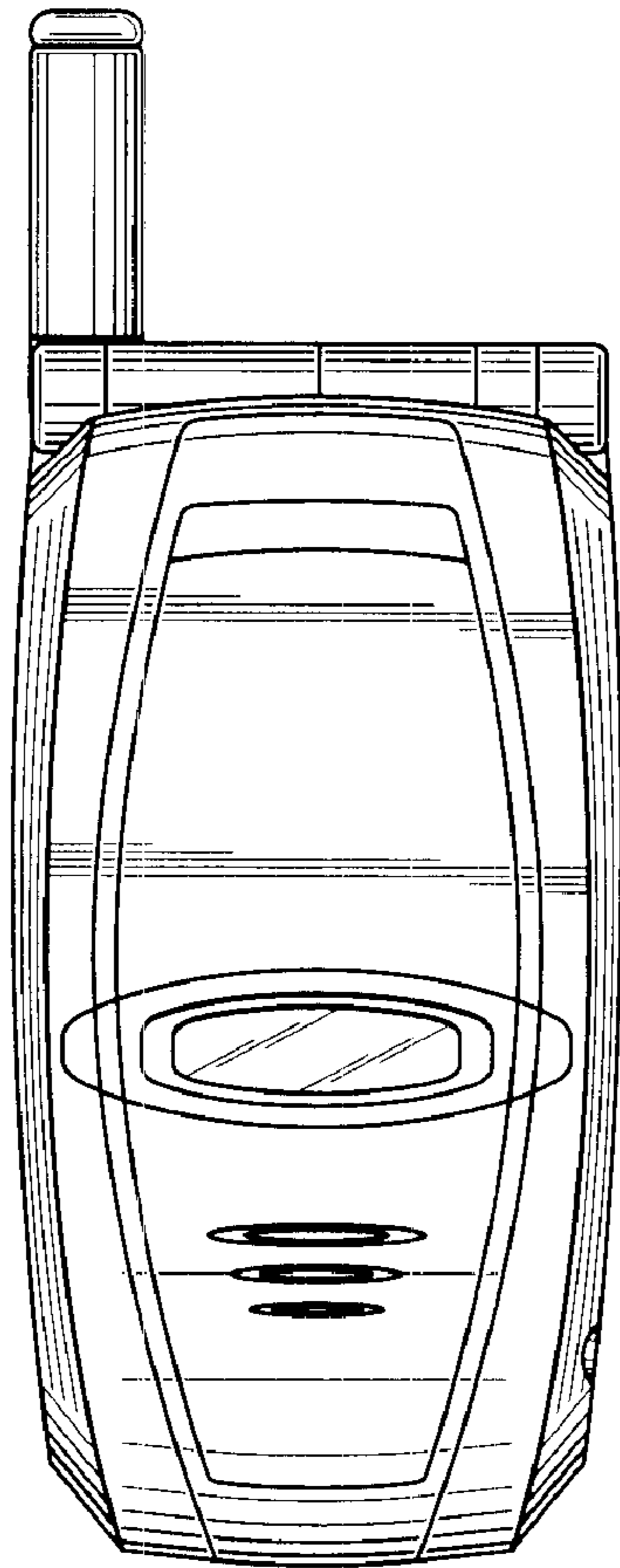


FIG. 10

