



US00D476963S

(12) **United States Design Patent**  
**Liu**

(10) **Patent No.:** **US D476,963 S**

(45) **Date of Patent:** **\*\* Jul. 8, 2003**

(54) **OUTER SHELL OF POWER BOX OF AUTOCAR**

D440,671 S \* 4/2001 Summers et al. .... D25/199

\* cited by examiner

(76) **Inventor:** **Chao-Chih Liu**, 11F-2, No. 43, Chai-I Street, Taichung City (TW)

*Primary Examiner*—Melody N. Brown

(74) *Attorney, Agent, or Firm*—Charles E. Baxley

(\*\*) **Term:** **14 Years**

(57) **CLAIM**

(21) **Appl. No.:** **29/155,280**

The ornamental design for an outer shell of power box of autocar, as shown and described.

(22) **Filed:** **Feb. 11, 2002**

**DESCRIPTION**

(51) **LOC (7) Cl.** ..... **13-99**

(52) **U.S. Cl.** ..... **D13/184**

(58) **Field of Search** ..... D13/184, 152;  
D25/199; 174/5 R, 68.3, 52.1, 52.2

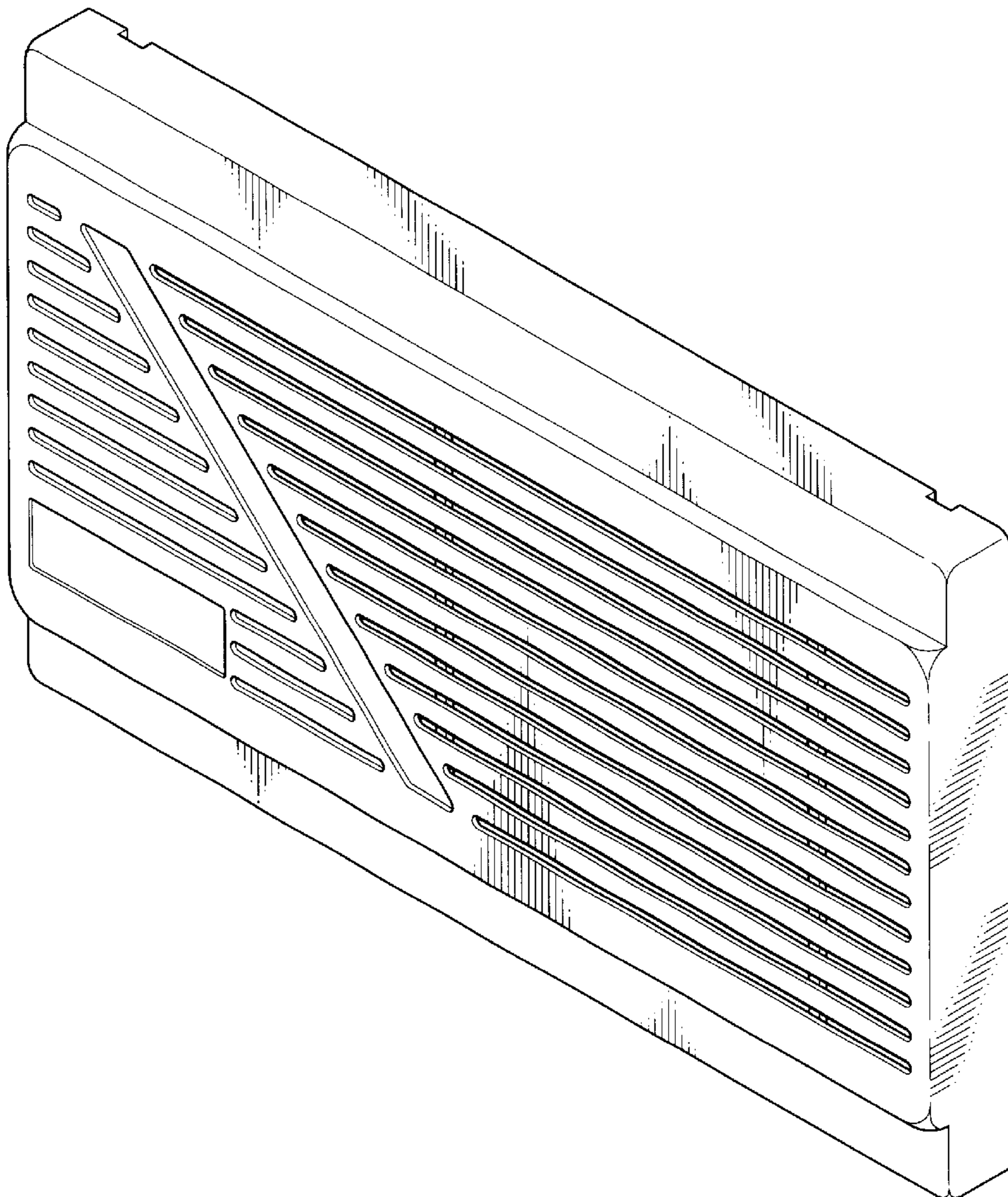
FIG. 1 is a right front and top perspective view of an outer shell of power box of autocar, showing my new design; FIG. 2 is a front elevational view thereof; FIG. 3 is a rear elevational view thereof; FIG. 4 is a left elevational view thereof; FIG. 5 is a right elevational view thereof; FIG. 6 is a top plan view thereof; and, FIG. 7 is a bottom plan view thereof.

(56) **References Cited**

**U.S. PATENT DOCUMENTS**

- D332,942 S \* 2/1993 Julien ..... D13/184
- D401,568 S \* 11/1998 Alden et al. .... D13/184
- D413,578 S \* 9/1999 Larson et al. .... D13/152

**1 Claim, 4 Drawing Sheets**



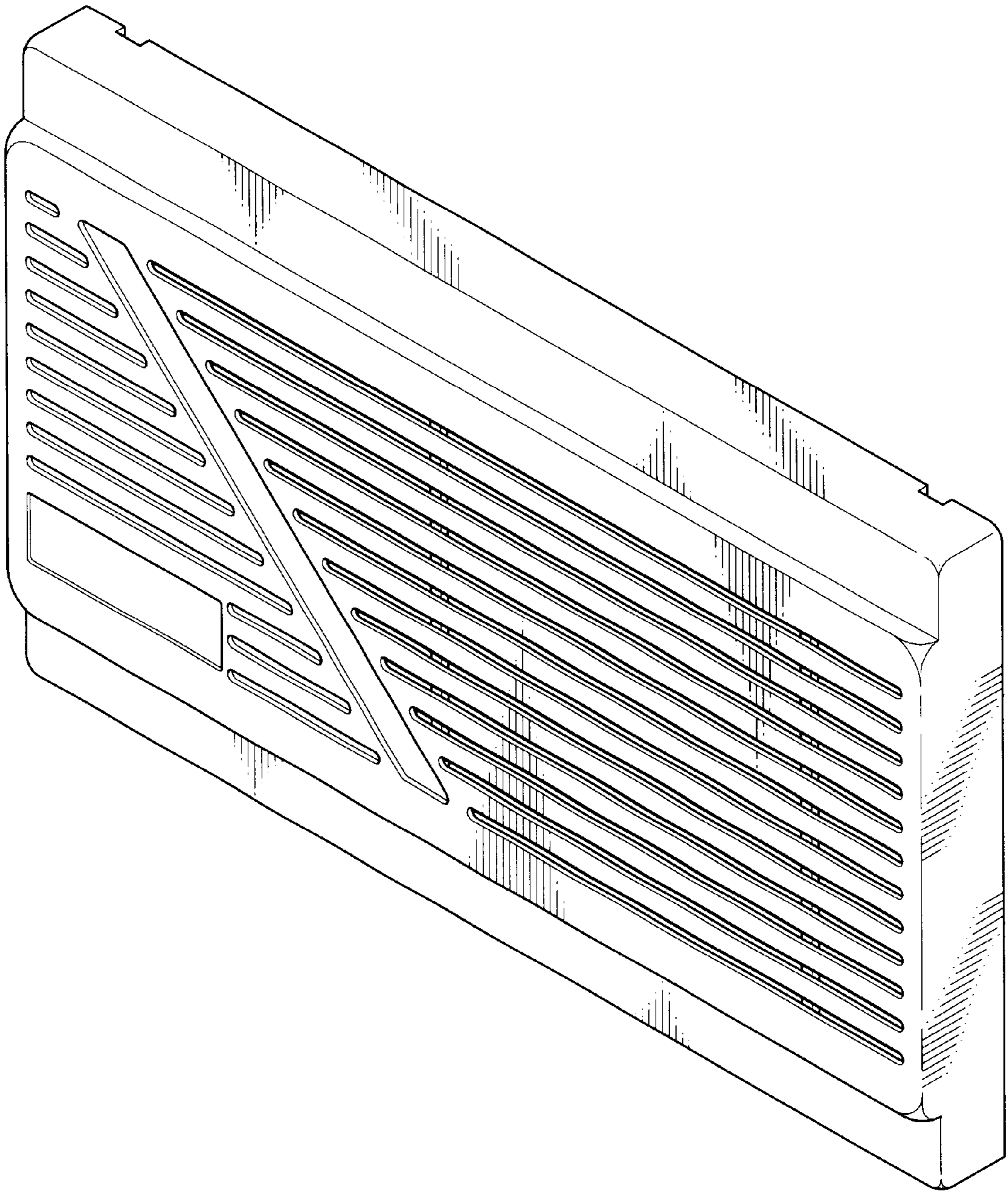


FIG.1

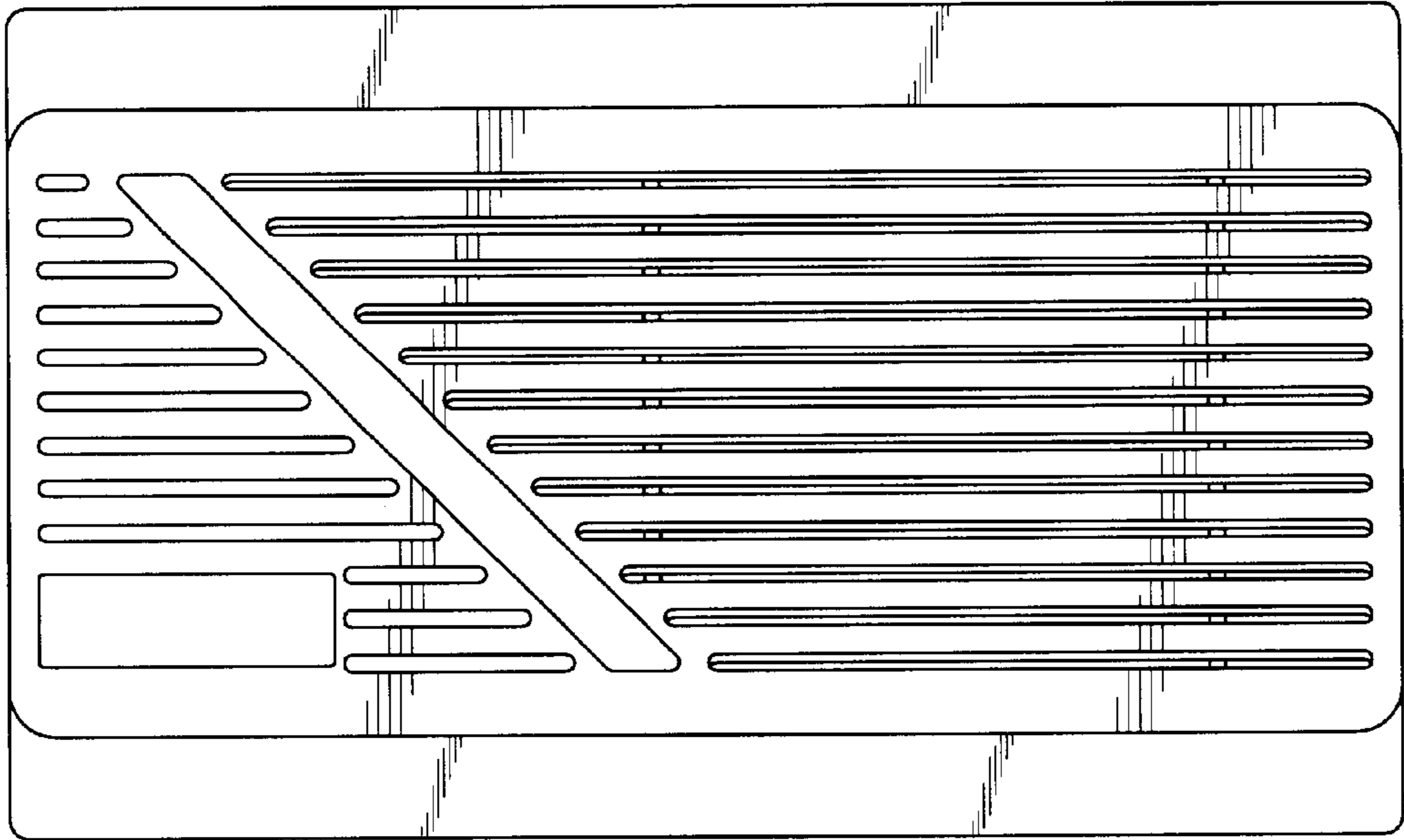


FIG. 2

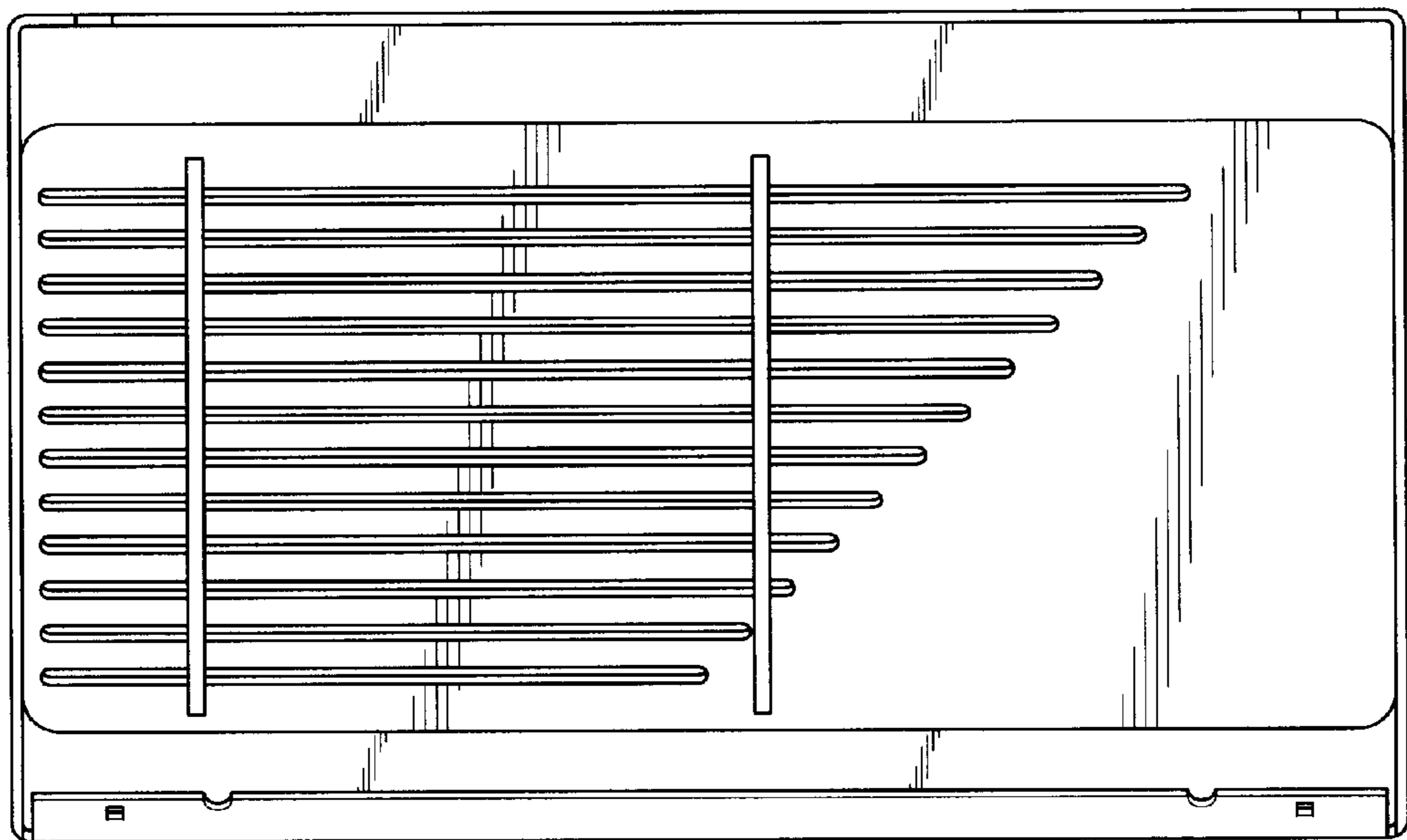


FIG. 3

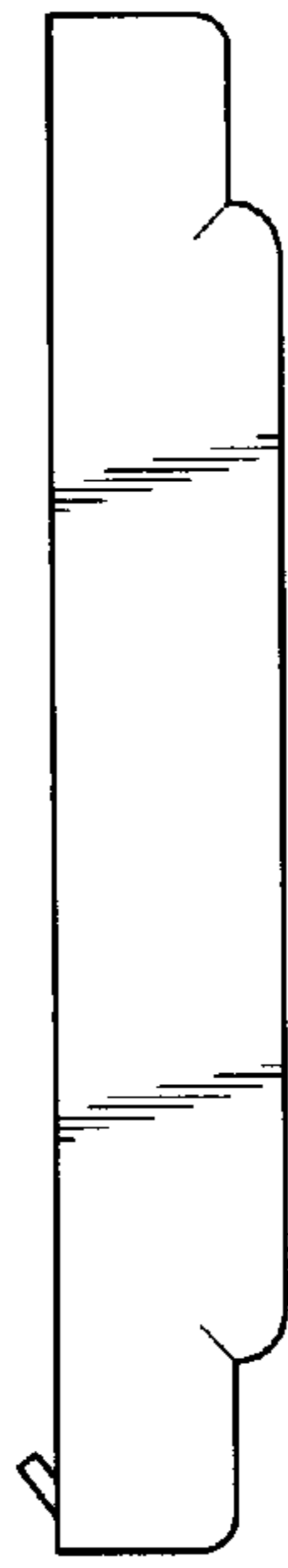


FIG. 4

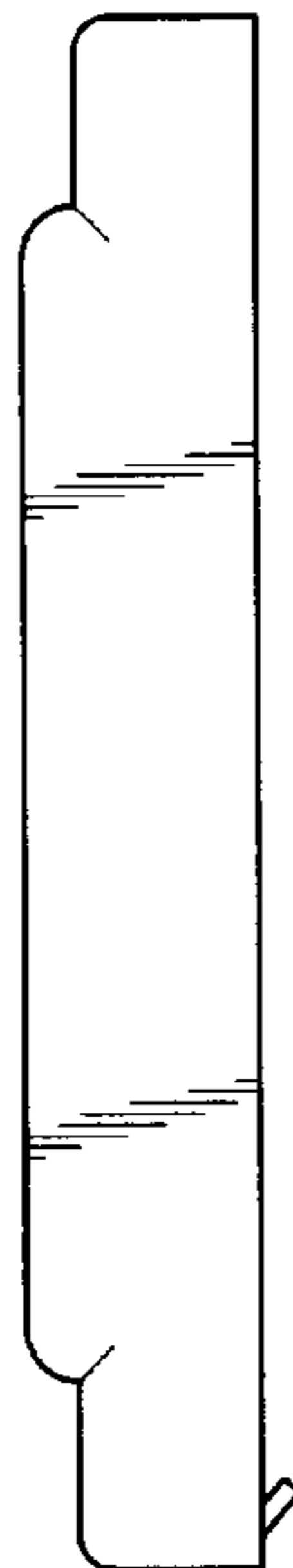


FIG. 5

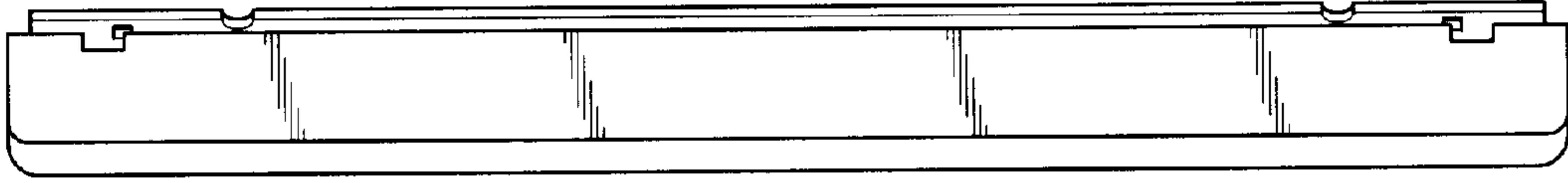


FIG. 6

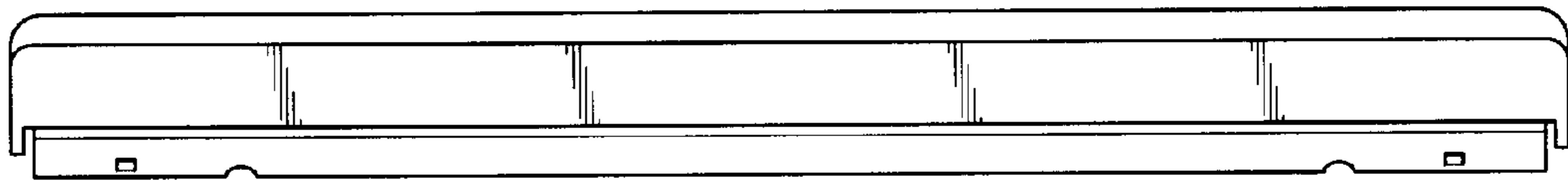


FIG. 7