



US00D476961S

(12) **United States Design Patent**
Horiuchi et al.

(10) **Patent No.:** **US D476,961 S**

(45) **Date of Patent:** **** Jul. 8, 2003**

(54) **LIGHT-EMITTING DIODE**

(75) Inventors: **Megumi Horiuchi**, Yamanashi-ken (JP);
Shinobu Nakamura, Yamanashi-ken
(JP)

(73) Assignees: **Citizen Electronics Co., Ltd.**,
Yamanashi-ken (JP); **Kawaguchiko**
Seimitsu Co., Ltd., Yamanashi-ken (JP)

(**) Term: **14 Years**

(21) Appl. No.: **29/167,029**

(22) Filed: **Sep. 9, 2002**

(30) **Foreign Application Priority Data**

Apr. 12, 2002 (JP) 2002-010010

(51) **LOC (7) Cl.** **13-03**

(52) **U.S. Cl.** **D13/182**

(58) **Field of Search** D13/180, 182;
D10/104, 106; D26/2, 37; 257/88, 89, 93-96;
313/161; 345/39, 46, 82, 84; 361/820, 800

(56) **References Cited**

U.S. PATENT DOCUMENTS

4,127,792 A * 11/1978 Nakata 313/500

RE36,614 E * 3/2000 Lumbard et al. 313/500

D432,095 S * 10/2000 Seeger et al. D13/182

6,174,070 B1 * 1/2001 Takamura et al. 362/183

D437,798 S * 2/2001 Kiba et al. D10/104

D439,351 S * 3/2001 Kiba et al. D26/37

* cited by examiner

Primary Examiner—Ted Shooman

Assistant Examiner—Selina Sikder

(74) *Attorney, Agent, or Firm*—Dennison, Schultz &
Dougherty

(57) **CLAIM**

The ornamental design for a light-emitting diode, as shown
and described.

DESCRIPTION

FIG. 1 is a top plan view of a light-emitting diode embody-
ing our new design;
FIG. 2 is a front view thereof;
FIG. 3 is a bottom view thereof;
FIG. 4 is a right side view thereof;
FIG. 5 is a perspective view as viewed from a portion above
the light-emitting diode; and,
FIG. 6 is a perspective view as viewed from a portion below
the light-emitting diode.

1 Claim, 3 Drawing Sheets

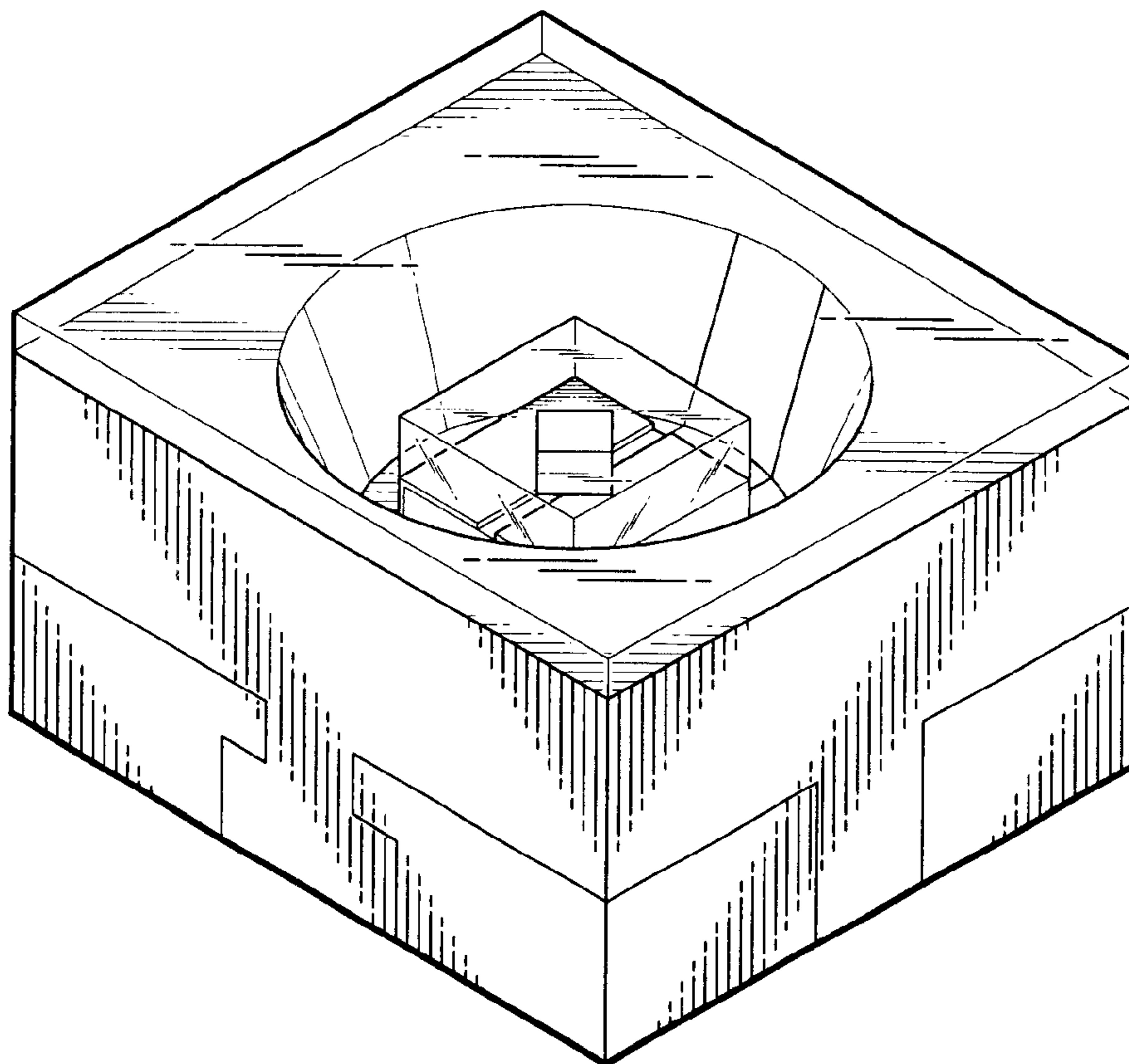


Fig. 1

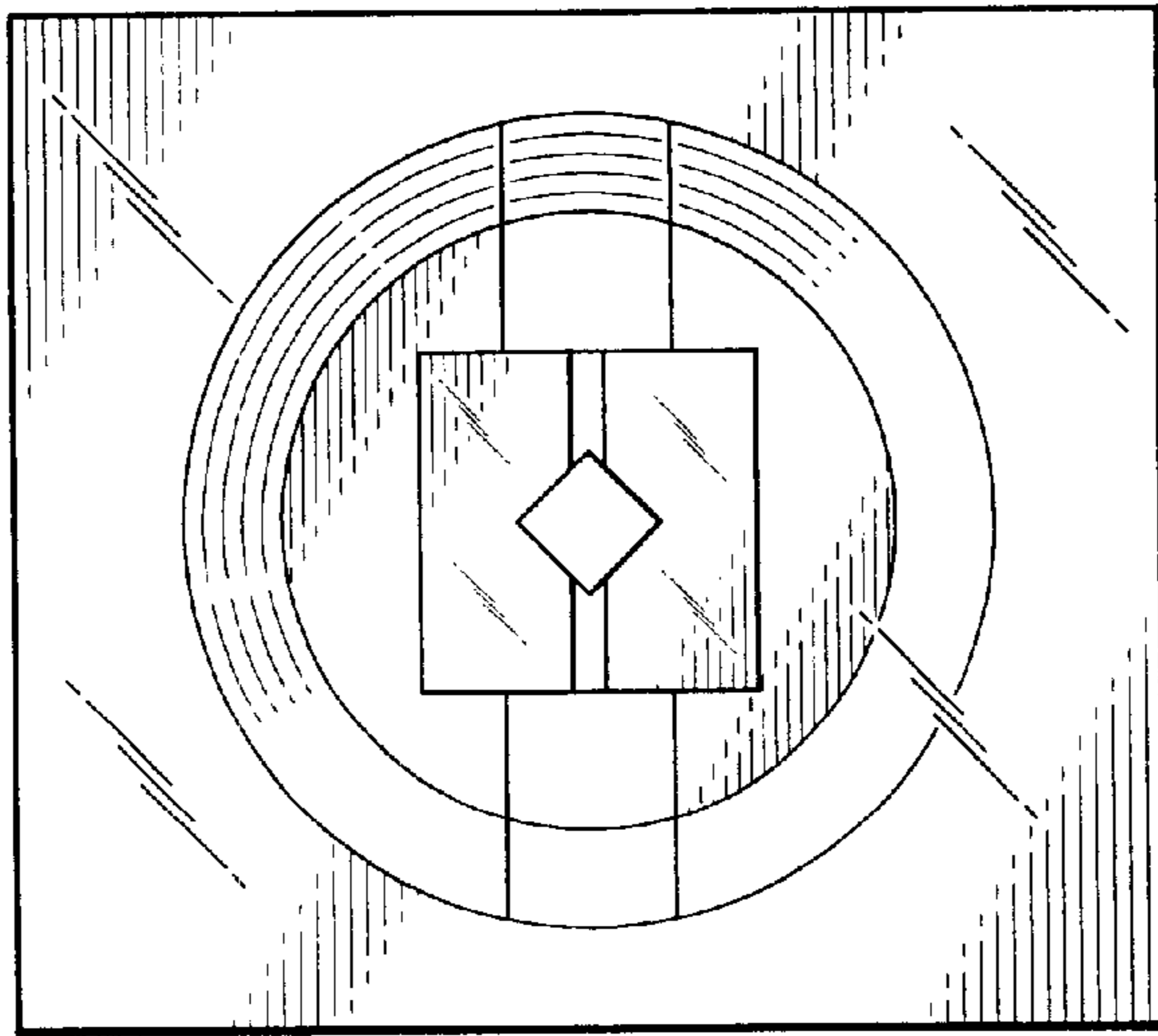


Fig. 2

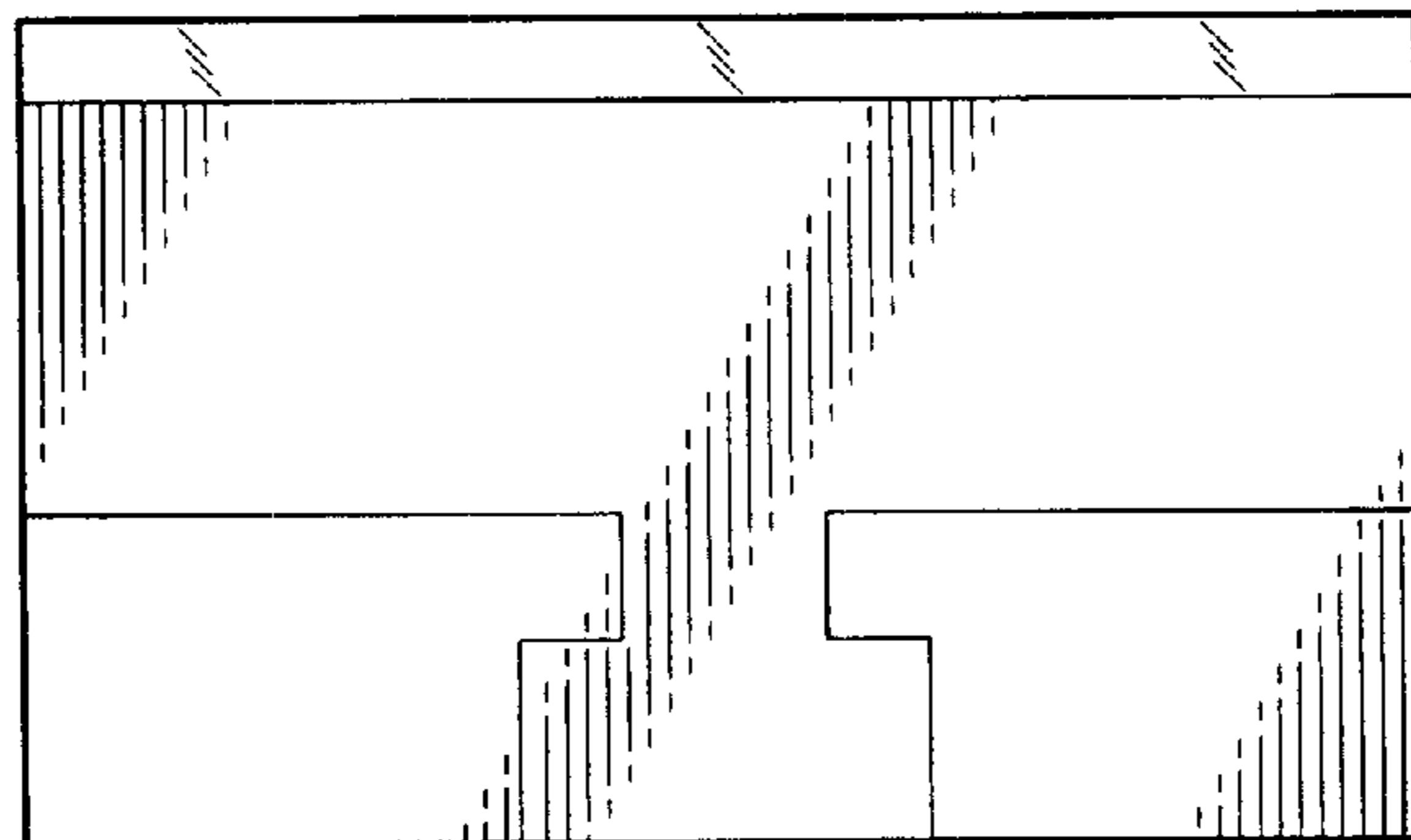


Fig. 3

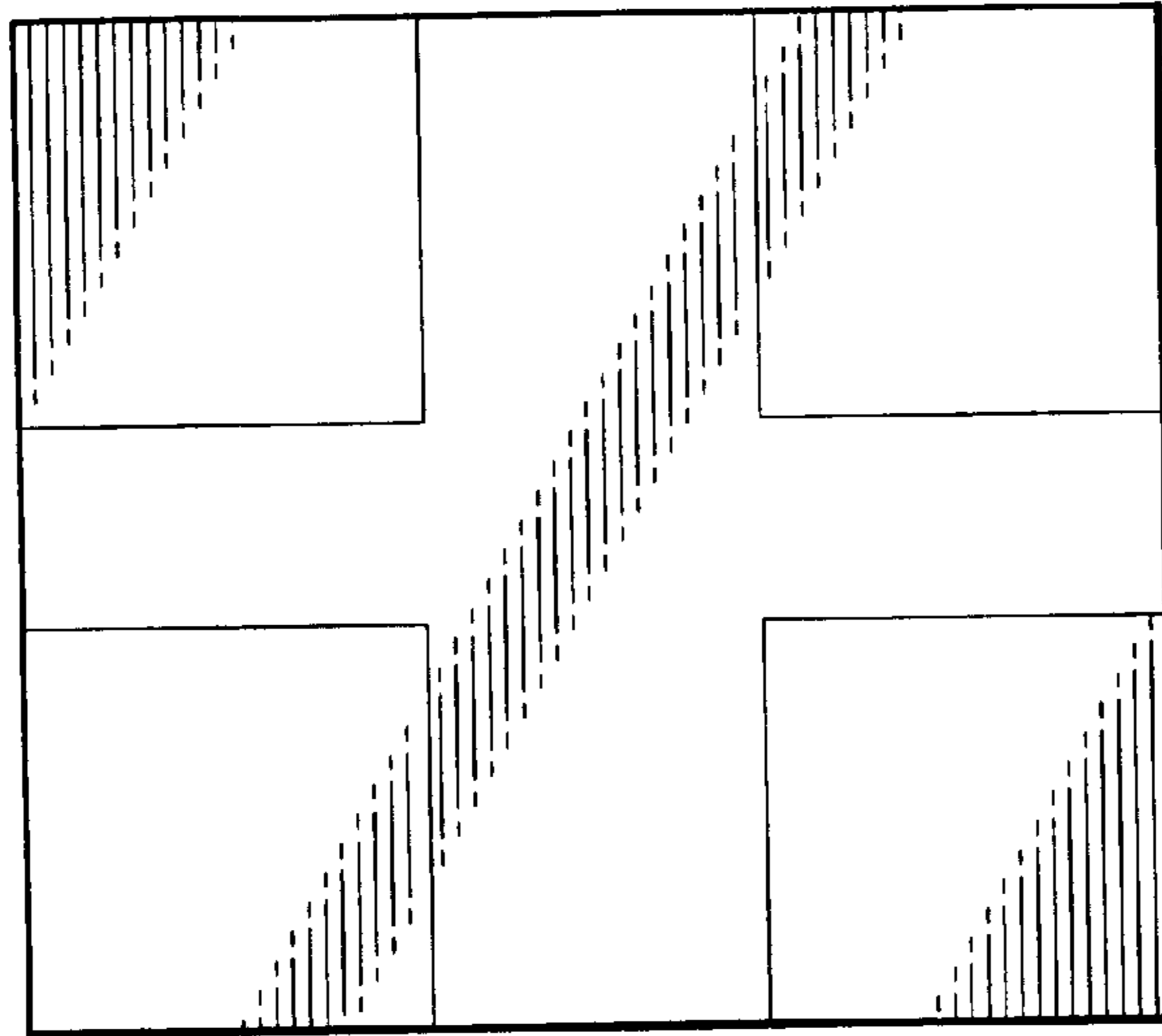


Fig. 4

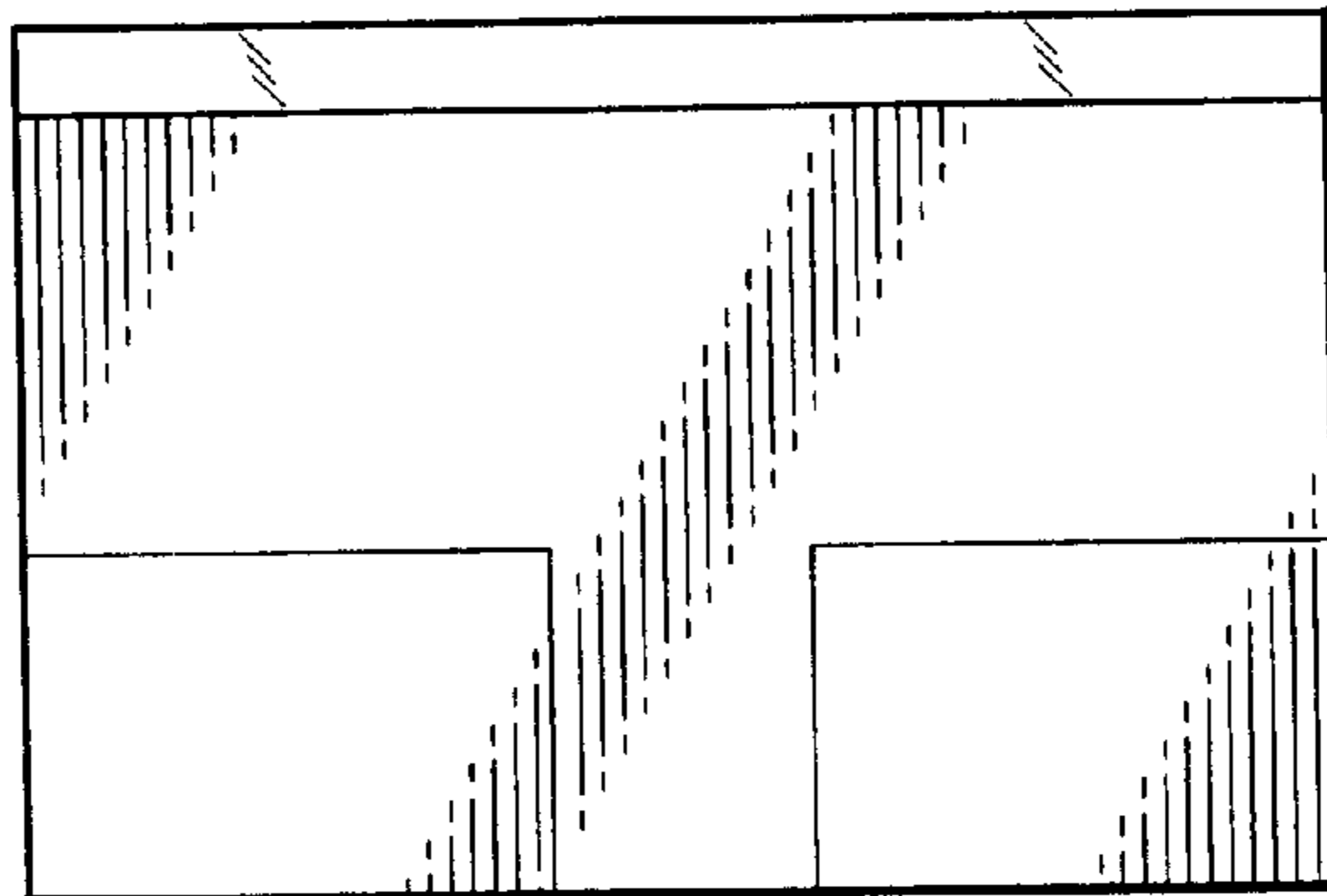


Fig. 5

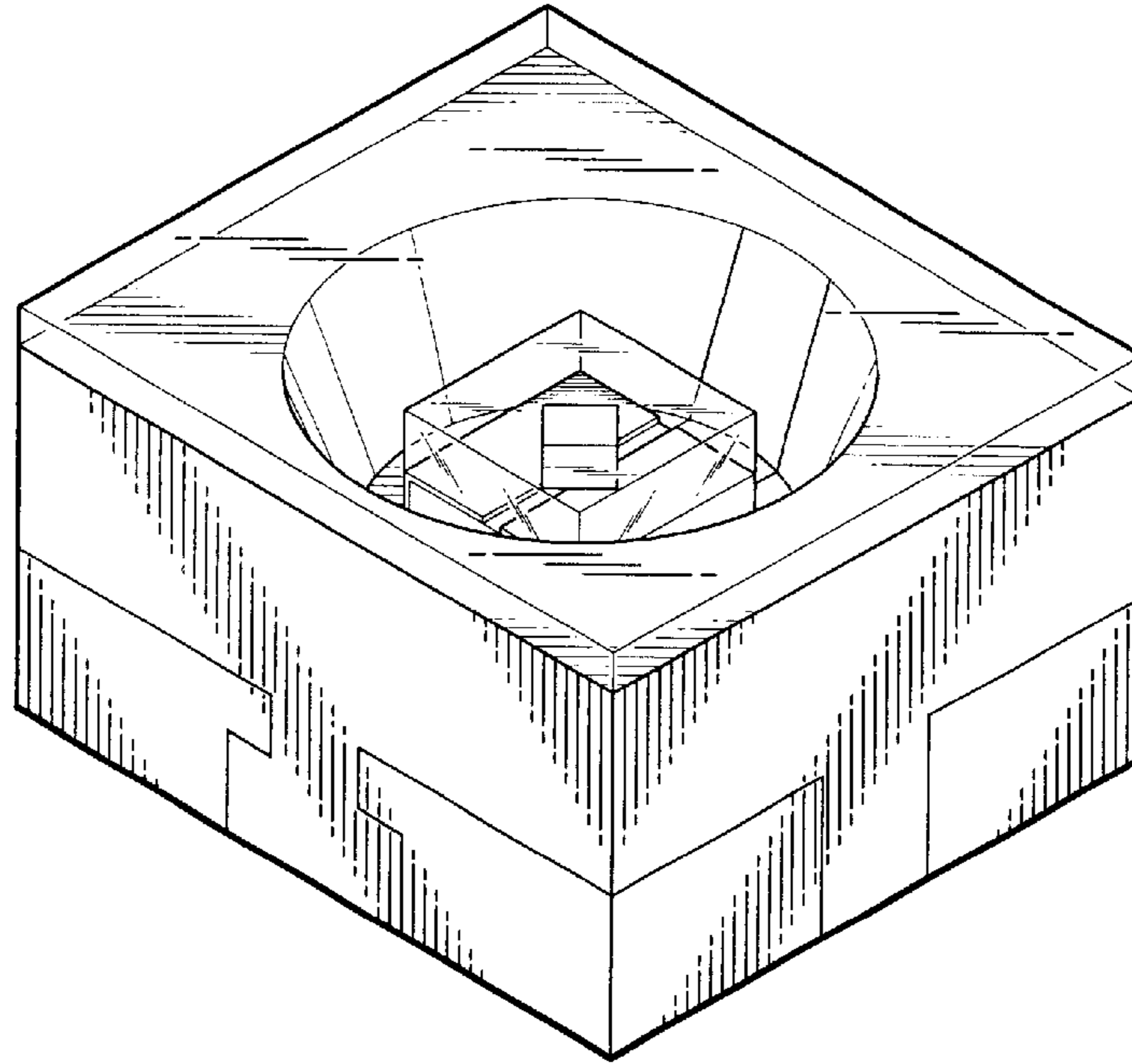


Fig. 6

