



US00D476957S

(12) **United States Design Patent**
Chudoba et al.

(10) **Patent No.:** **US D476,957 S**

(45) **Date of Patent:** **** Jul. 8, 2003**

(54) **FIBER COUPLING DEVICE**

(75) Inventors: **Paul Chudoba**, Shohola, PA (US);
Jerome Polizzi, Morrisville, PA (US)

(73) Assignee: **NuVisions International, Inc.**, Milford,
PA (US)

(**) Term: **14 Years**

(21) Appl. No.: **29/156,593**

(22) Filed: **Mar. 1, 2002**

(51) **LOC (7) Cl.** **13-03**

(52) **U.S. Cl.** **D13/151**

(58) **Field of Search** D13/133, 151,
D13/154; 439/578, 580, 583-585; 174/75 C;
385/53, 78, 87, 139

(56) **References Cited**

U.S. PATENT DOCUMENTS

3,359,015	A	*	12/1967	Zahuranec	439/578
4,045,121	A	*	8/1977	Clark	385/58
4,053,200	A	*	10/1977	Pugner	439/578
4,190,316	A	*	2/1980	Malsby et al.	385/61
4,545,637	A	*	10/1985	Bosshard et al.	439/578
4,553,806	A	*	11/1985	Forney, Jr. et al.	439/277
4,575,274	A	*	3/1986	Hayward	403/2
4,632,505	A	*	12/1986	Allsworth	385/61
4,737,009	A	*	4/1988	Kakii et al.	385/60
4,799,902	A	*	1/1989	Laudig et al.	439/585

5,273,444	A	*	12/1993	Down et al.	439/133
5,317,664	A	*	5/1994	Grabiec et al.	385/87
D355,641	S	*	2/1995	Down	D13/151
5,644,673	A	*	7/1997	Patterson	385/138
5,800,211	A	*	9/1998	Stabile et al.	439/578
5,812,728	A	*	9/1998	Wanamaker	385/139
5,832,158	A	*	11/1998	Chen	385/53
6,053,639	A	*	4/2000	Chen	385/53
6,135,800	A	*	10/2000	Majors	439/321
6,142,679	A	*	11/2000	Bredthauer et al.	385/87
6,234,683	B1	*	5/2001	Waldron et al.	385/78
D460,739	S	*	7/2002	Fox	D13/154

* cited by examiner

Primary Examiner—Joel Sincavage

(74) *Attorney, Agent, or Firm*—George R. McGuire;
Hancock & Estabrook, LLP

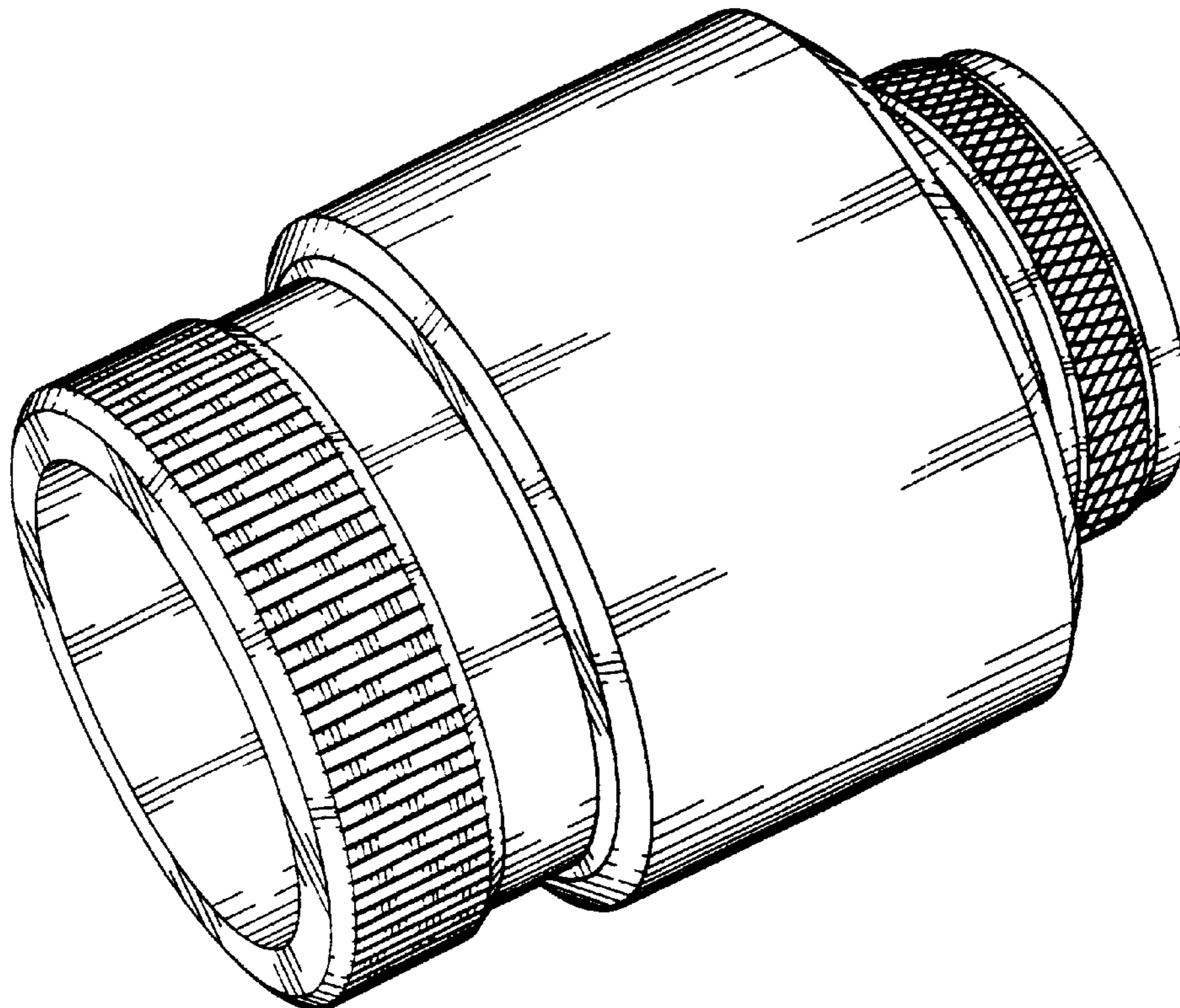
(57) **CLAIM**

The ornamental design for a fiber coupling device, as shown and described.

DESCRIPTION

FIG. 1 is a perspective view of my new design for a fiber coupling device;
FIG. 2 is a side elevational view thereof, all other sides being mirror images;
FIG. 3 is a front elevational view thereof; and,
FIG. 4 is a rear elevational view thereof.

1 Claim, 3 Drawing Sheets



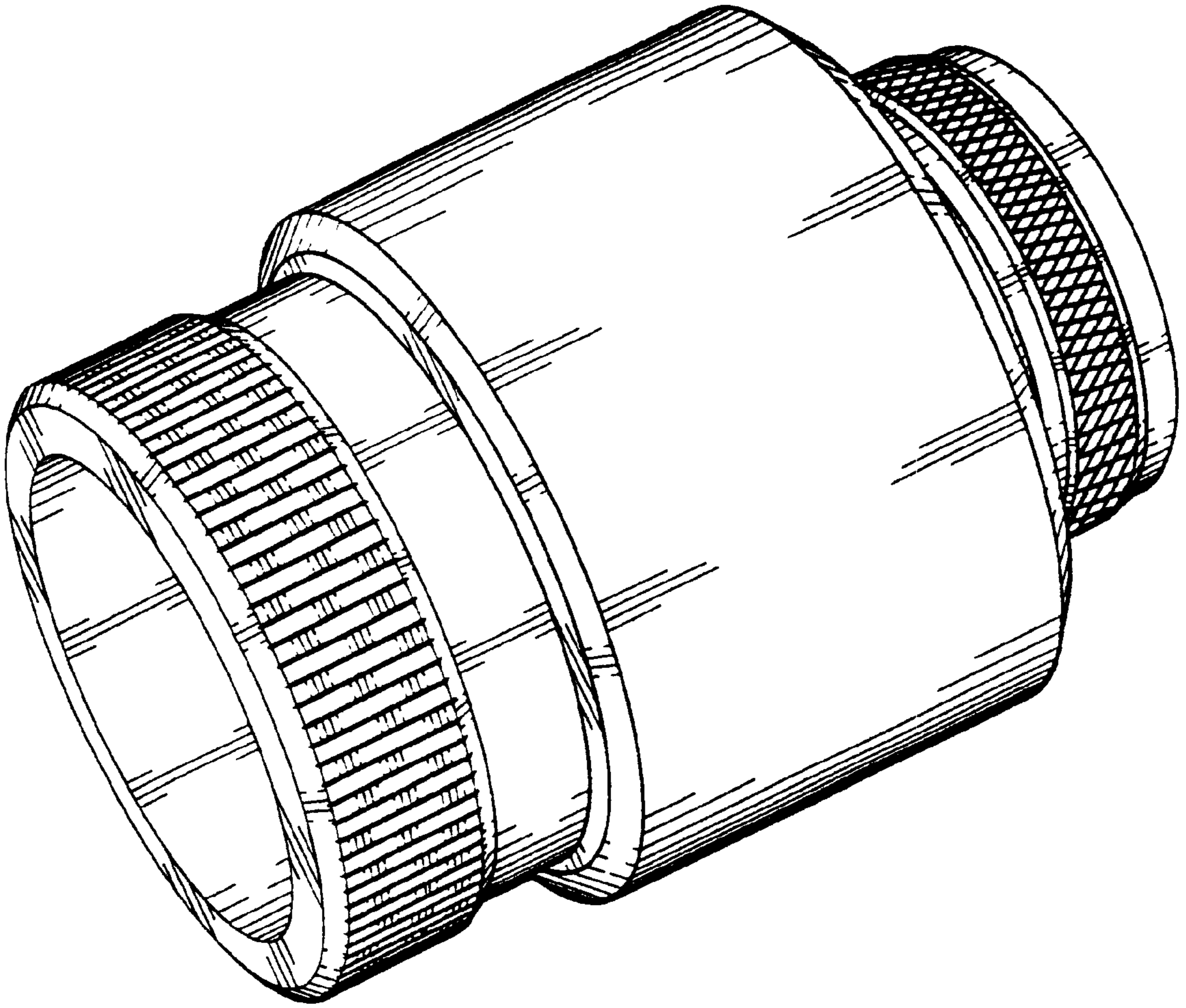


FIG. 1

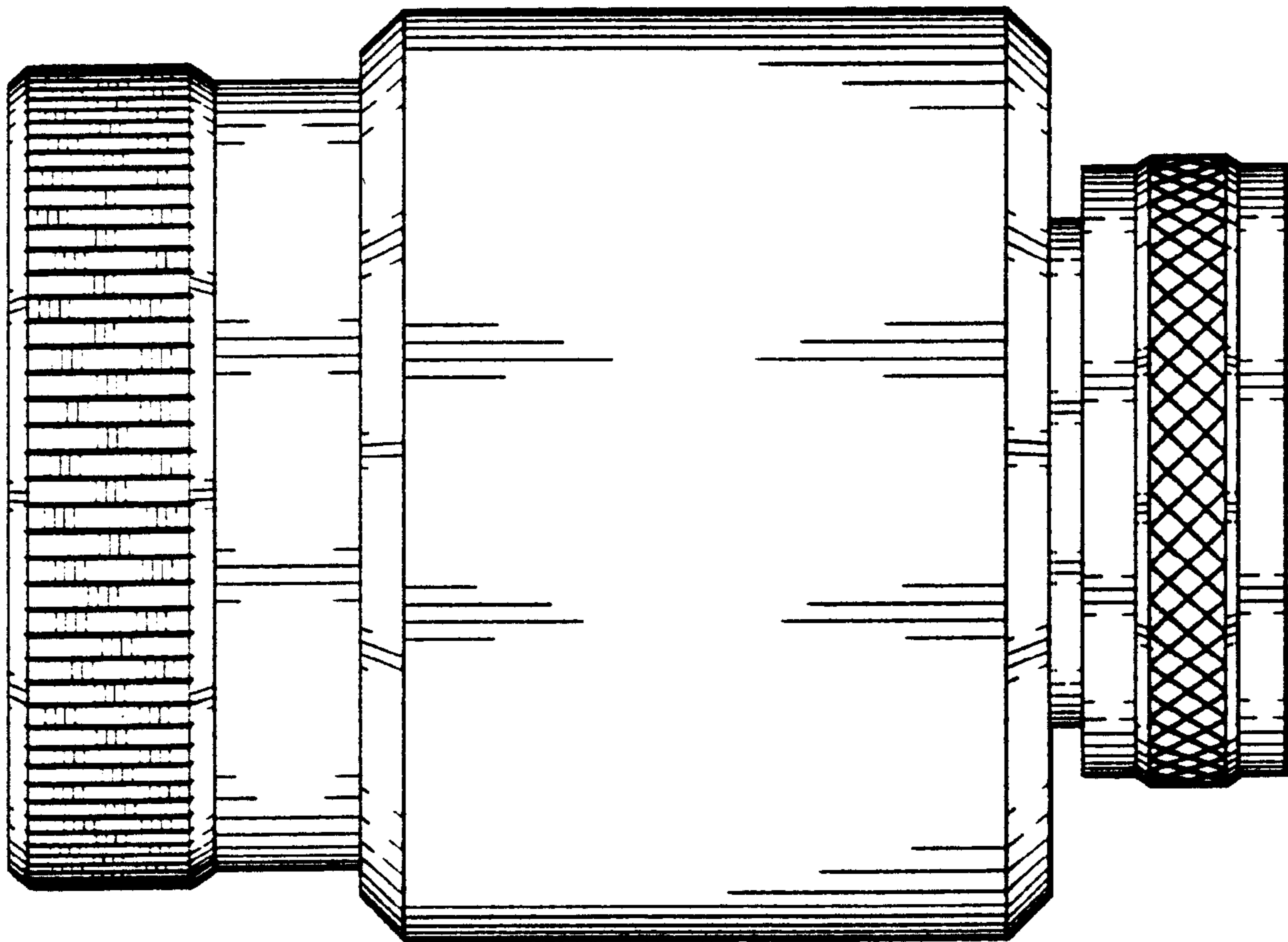


FIG. 2

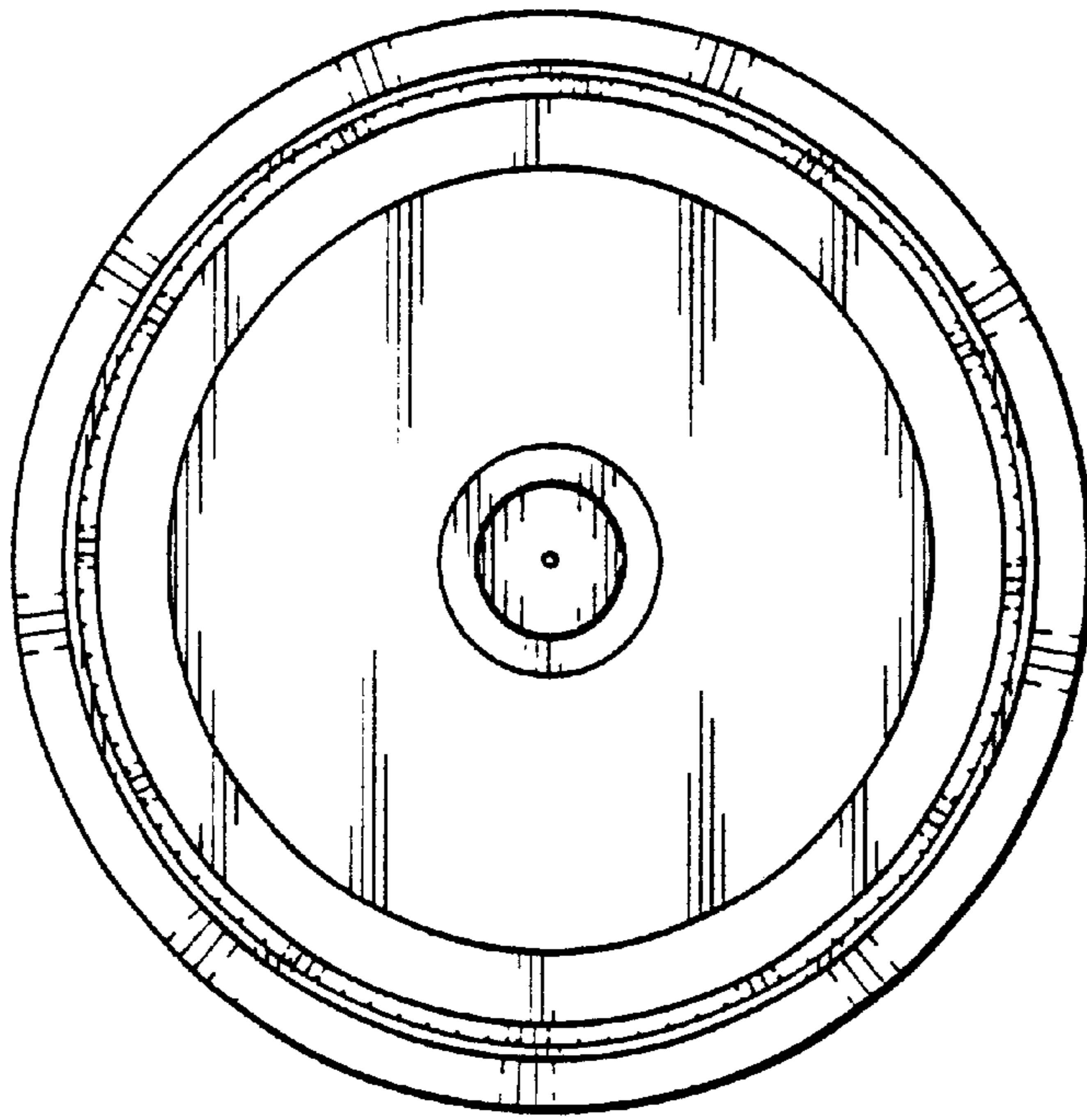


FIG. 3

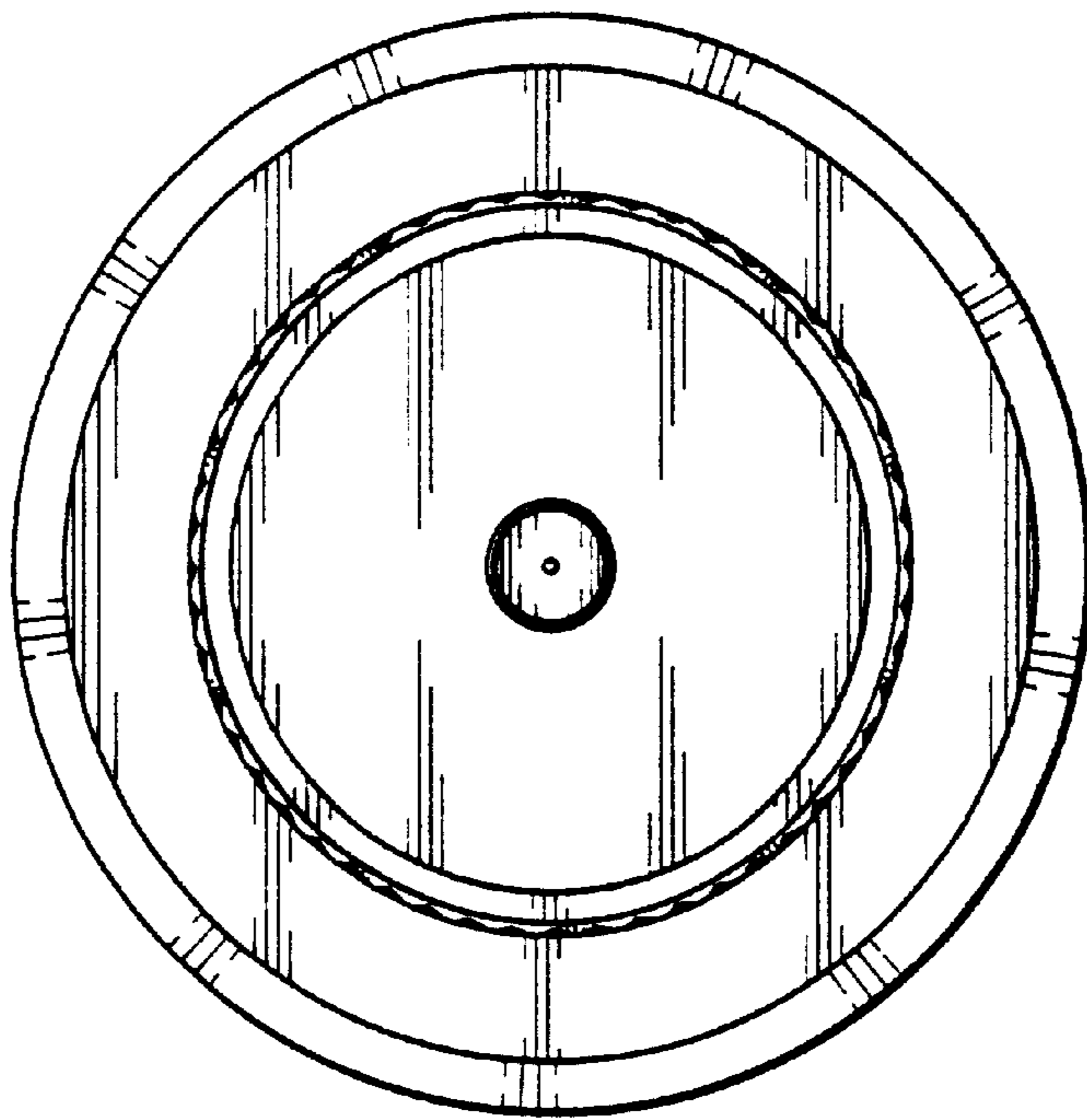


FIG. 4