



US00D476955S

(12) **United States Design Patent**  
**Ushiro et al.**

(10) **Patent No.:** **US D476,955 S**

(45) **Date of Patent:** **\*\* Jul. 8, 2003**

(54) **RECEPTACLE CONNECTOR**

D434,730 S \* 12/2000 Hwang ..... D13/147  
6,315,606 B1 \* 11/2001 Hwang ..... 439/557

(75) Inventors: **Yutaka Ushiro**, Yokohama (JP);  
**Katsuyuki Masaki**, Yokohama (JP);  
**Yusuke Hamada**, Yokohama (JP)

\* cited by examiner

(73) Assignee: **J. S. T. Mfg. Co., Ltd.**, Osaka (JP)

*Primary Examiner*—Joel Sincavage  
(74) *Attorney, Agent, or Firm*—Armstrong, Westerman & Hattori, LLP

(\*\*) Term: **14 Years**

(57) **CLAIM**

(21) Appl. No.: **29/162,315**

The ornamental design for a receptacle connector, as shown and described.

(22) Filed: **Jun. 13, 2002**

(30) **Foreign Application Priority Data**

**DESCRIPTION**

Dec. 14, 2001 (JP) ..... 2001-036789

FIG. 1 is a perspective view of a receptacle connector showing our new design;

(51) **LOC (7) Cl.** ..... **13-03**

FIG. 2 is a front elevation view thereof;

(52) **U.S. Cl.** ..... **D13/147**

FIG. 3 is a rear elevation view thereof;

(58) **Field of Search** ..... D13/146, 147;  
439/350, 353, 357, 489, 587, 595, 680,  
750, 557, 567, 247, 248

FIG. 4 is a top plan view thereof;

FIG. 5 is a bottom plan view thereof;

FIG. 6 is a right side elevation view thereof; the left side elevation view being a mirror image;

(56) **References Cited**

**U.S. PATENT DOCUMENTS**

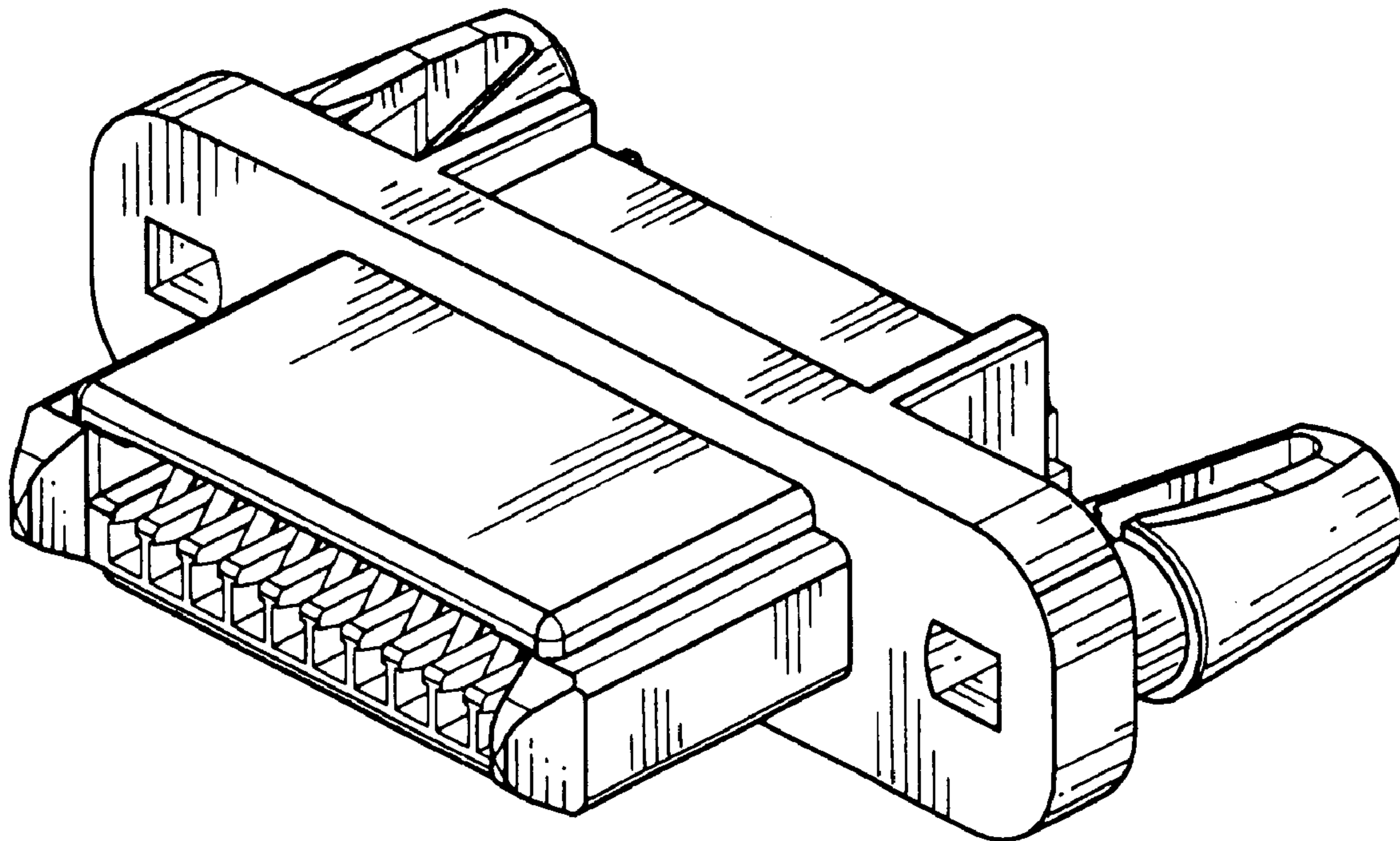
4,820,180 A \* 4/1989 Mosquera et al. .... 439/557 X  
5,017,151 A \* 5/1991 Peterson ..... 439/557 X  
5,199,896 A \* 4/1993 Mosquera ..... 439/557 X  
5,575,673 A \* 11/1996 Dahlem et al. .... 439/557 X  
5,902,149 A \* 5/1999 Tashiro et al. .... 439/557  
D412,700 S \* 8/1999 Gardner et al. .... D13/147  
6,113,423 A \* 9/2000 Hwang ..... 439/557  
D434,729 S \* 12/2000 Hwang ..... D13/147

FIG. 7 is a sectional view thereof, taken along line 7—7 of FIG. 2;

FIG. 8 is a rear perspective view being set in a panel and bottom up; and,

FIG. 9 is a perspective view of a showing a receptacle connector corresponding plug connector for use; the broken lines in FIGS. 8, and 9 are included for the purpose of illustrating environmental structure only and form no part of the claimed design.

**1 Claim, 6 Drawing Sheets**



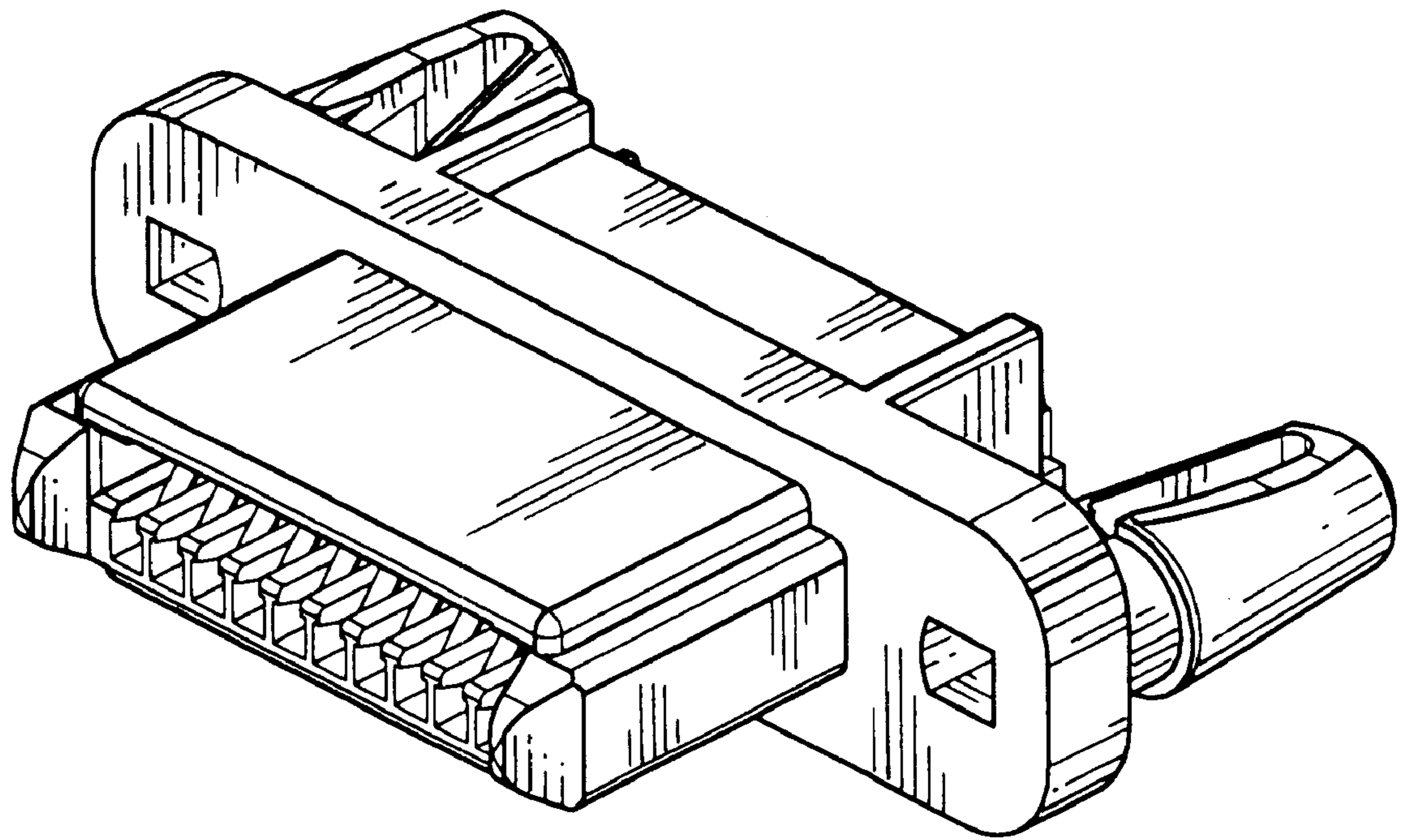


FIG. 1

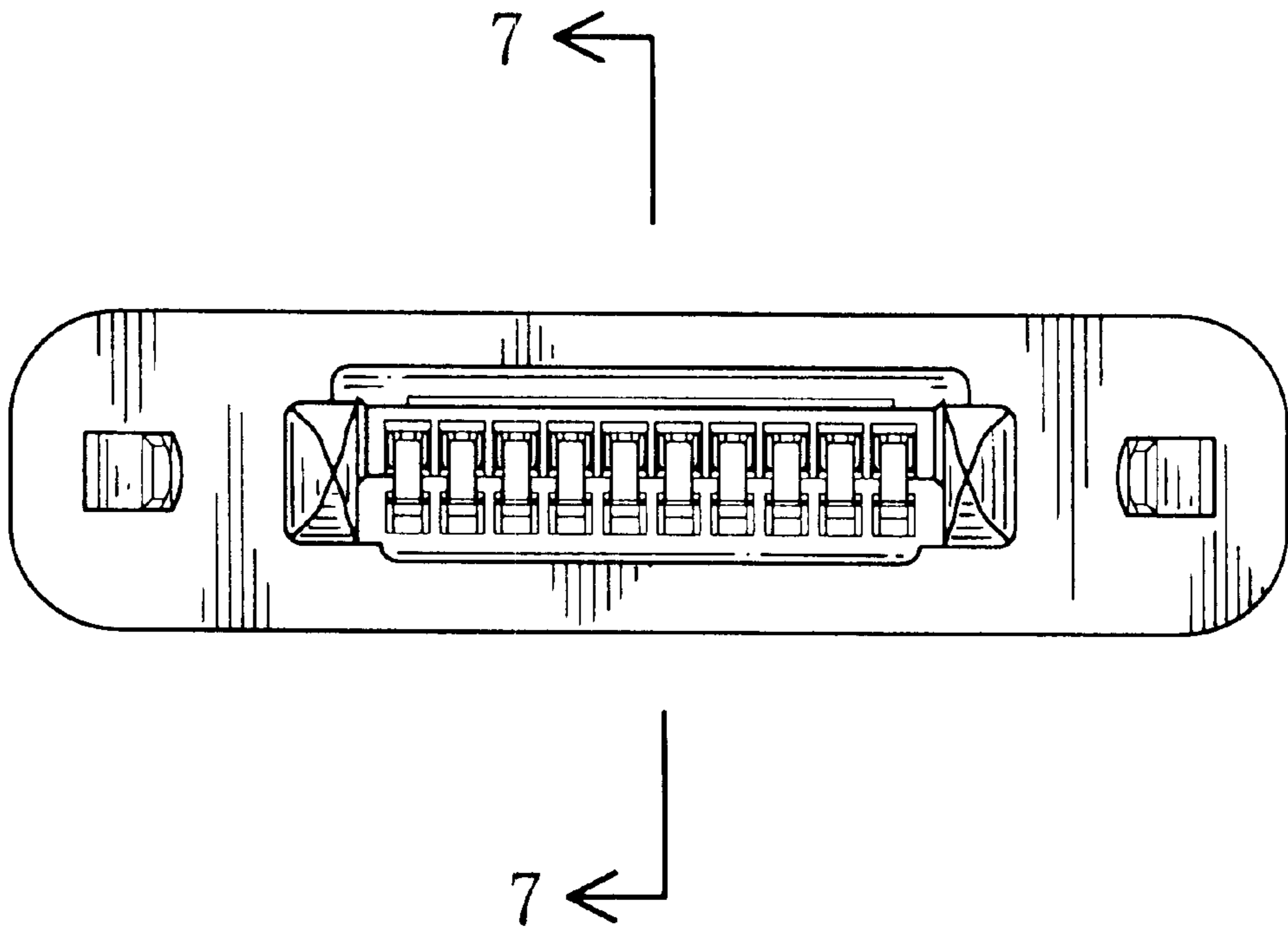


FIG. 2

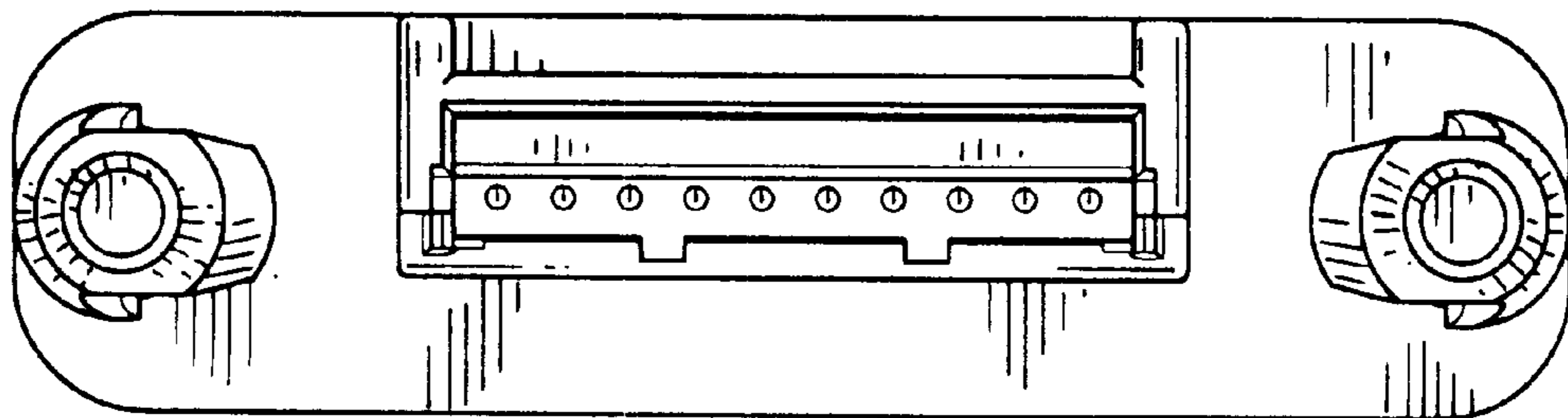


FIG. 3

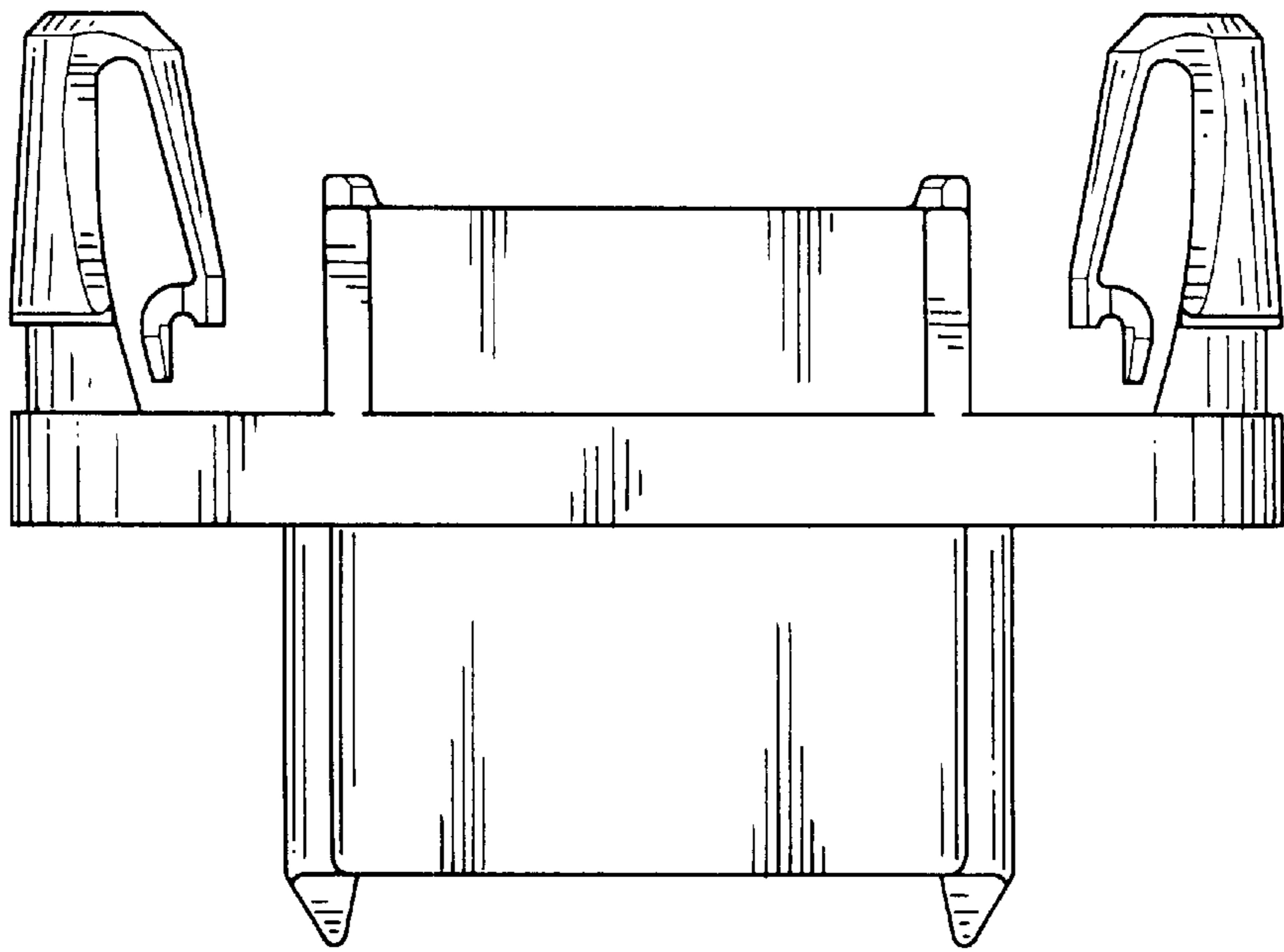


FIG. 4

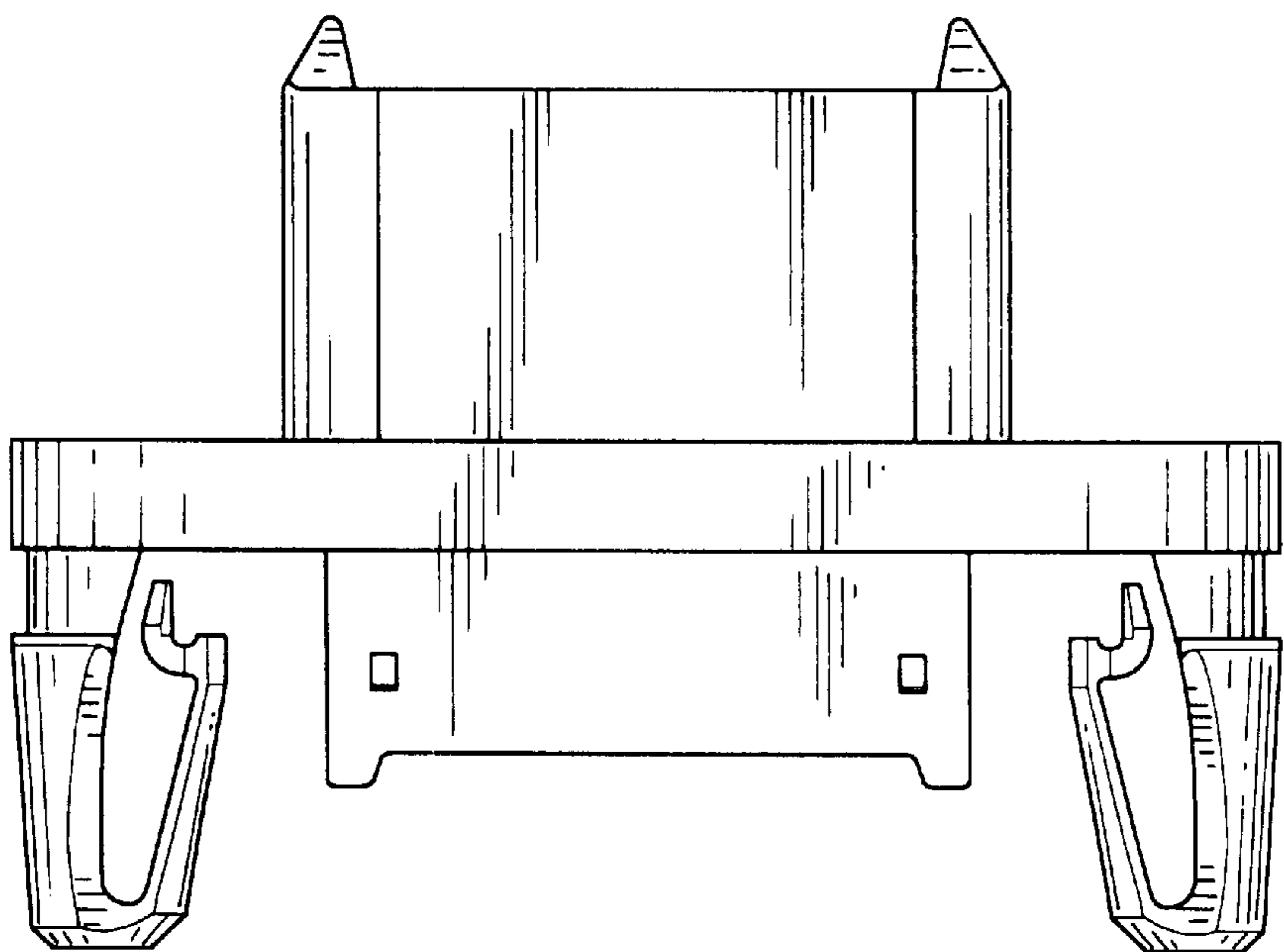


FIG. 5

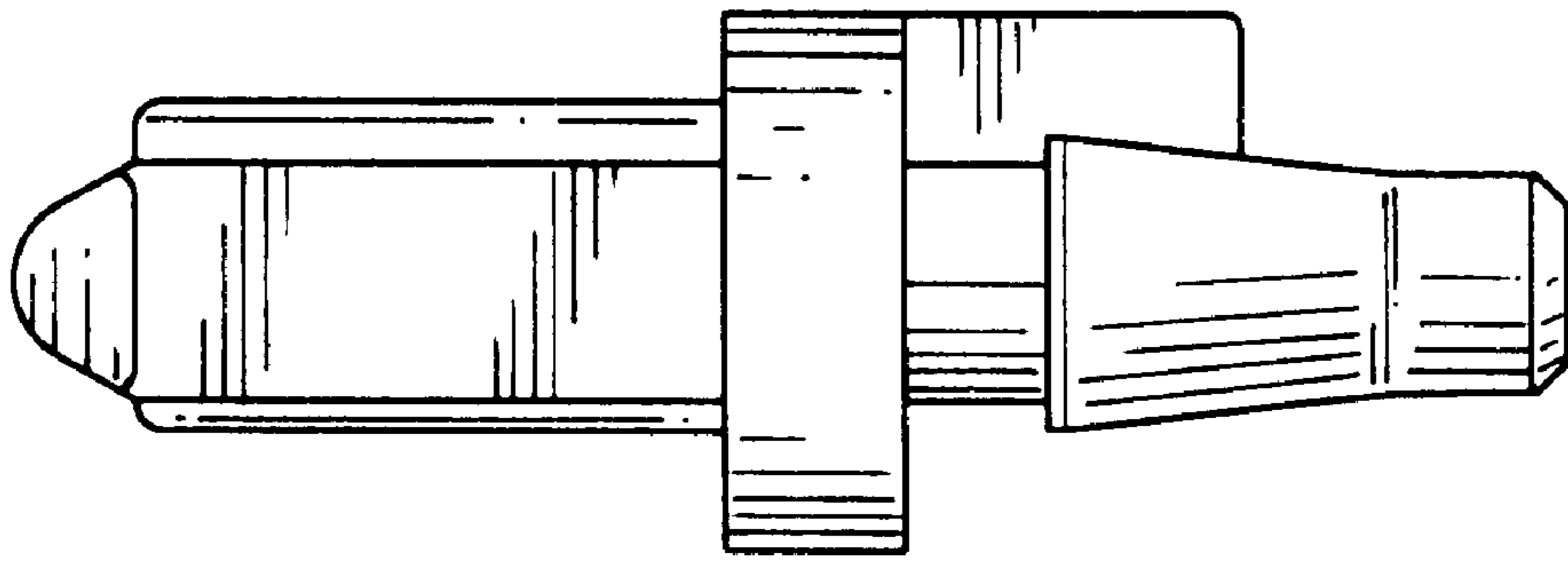


FIG. 6

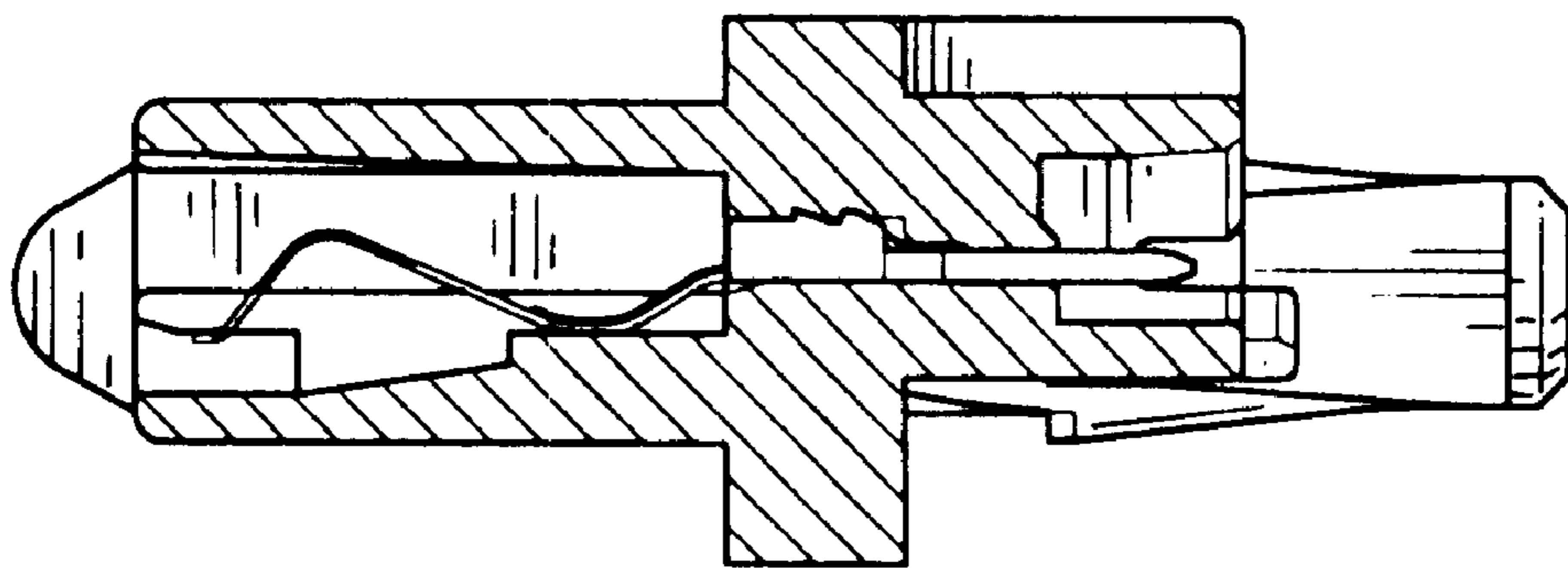


FIG. 7

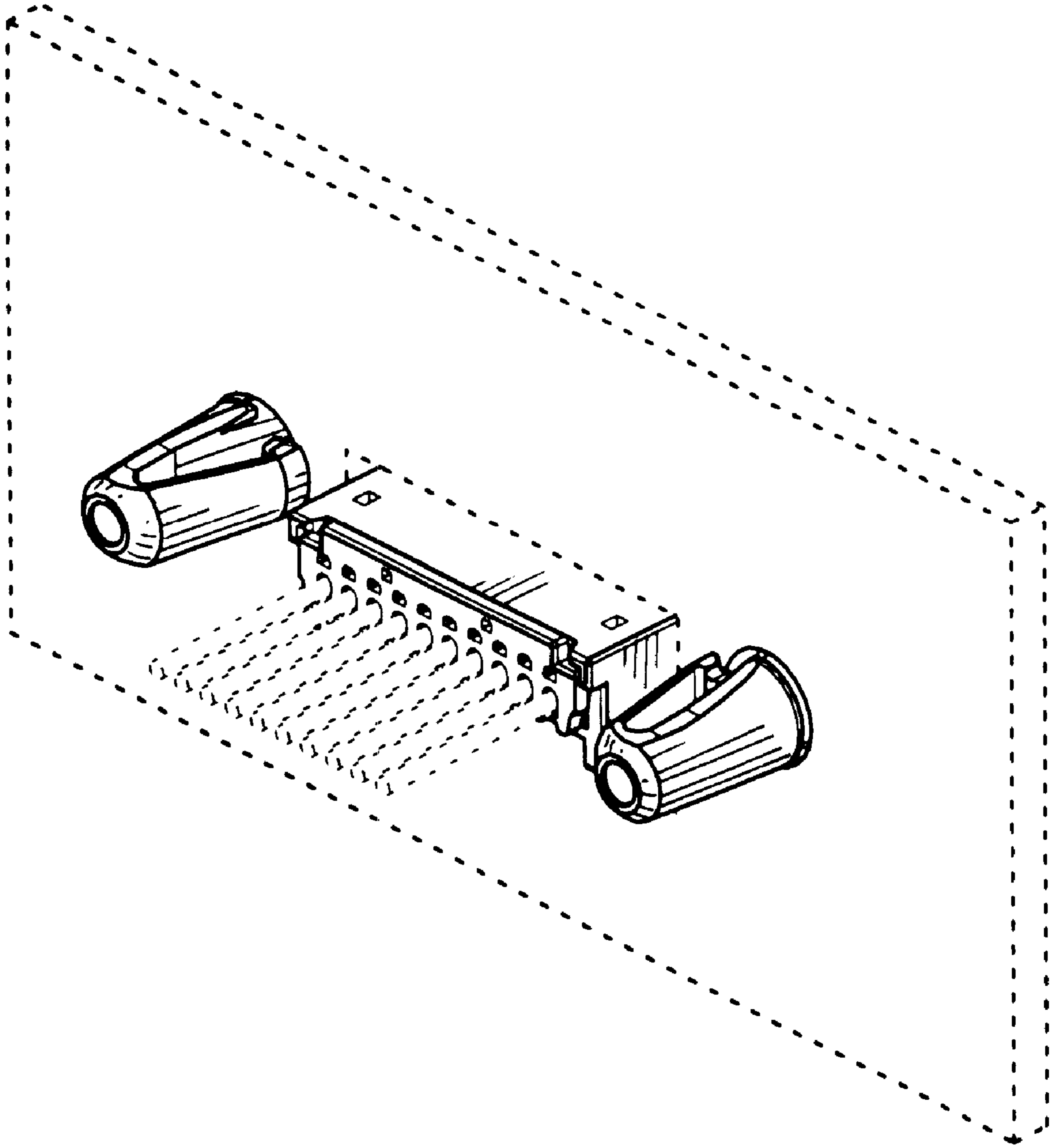


FIG. 8

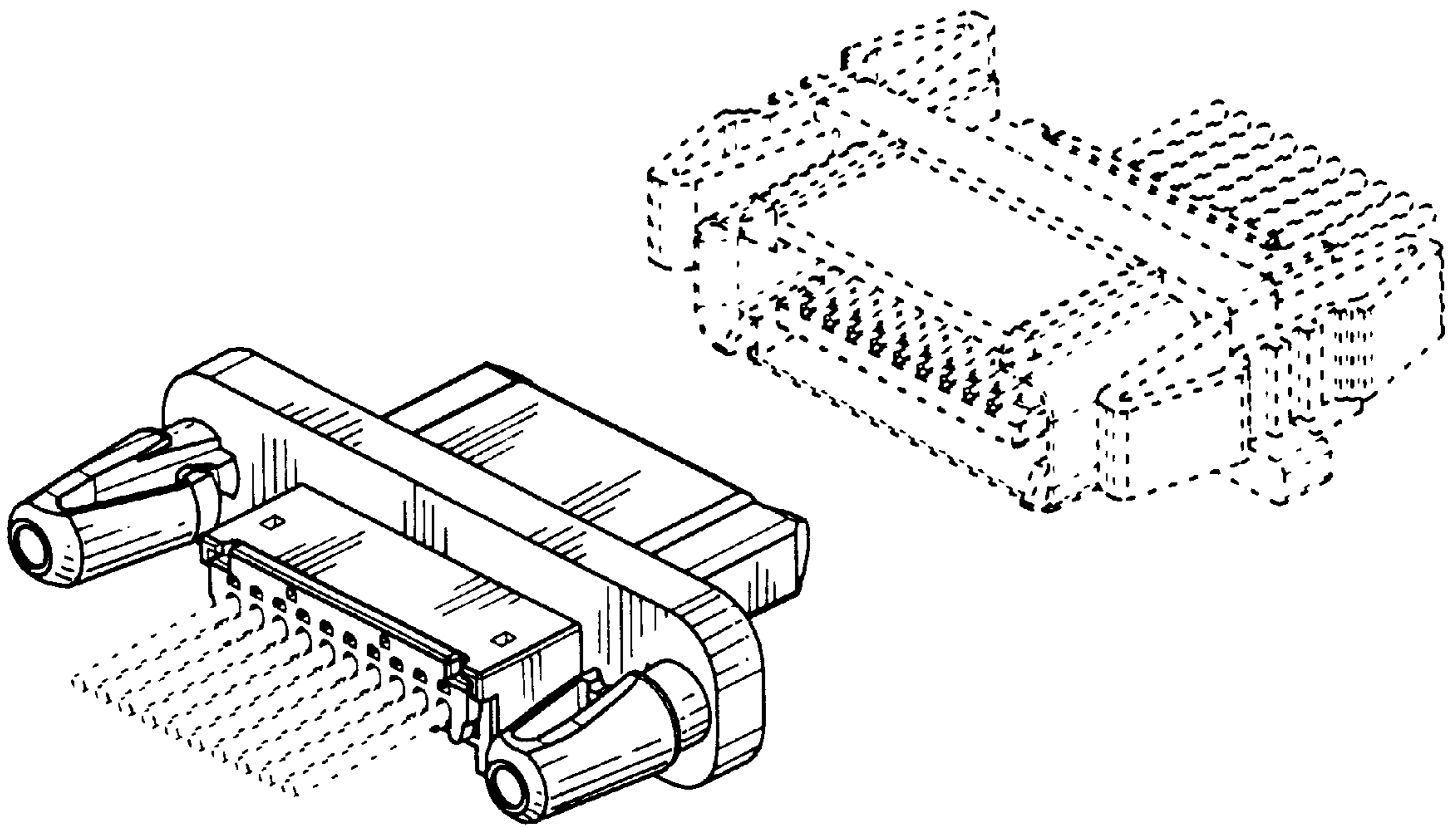


FIG. 9