



US00D476954S

(12) **United States Design Patent**
Nishio et al.

(10) **Patent No.:** **US D476,954 S**

(45) **Date of Patent:** **** Jul. 8, 2003**

(54) **CONNECTOR**

(75) Inventors: **Atsushi Nishio**, Ibaraki-ken (JP);
Katsuhiro Hori, Ibaraki-ken (JP);
Fumihiko Hosoya, Ibaraki-ken (JP)

(73) Assignee: **Mitsumi Electric Co., Ltd.**, Tokyo (JP)

(**) Term: **14 Years**

(21) Appl. No.: **29/160,972**

(22) Filed: **May 21, 2002**

(30) **Foreign Application Priority Data**

Nov. 22, 2001 (JP) 2001-034337

(51) **LOC (7) Cl.** **13-03**

(52) **U.S. Cl.** **D13/147**

(58) **Field of Search** D13/146, 147,
D13/154; 439/79, 108, 607, 610

(56) **References Cited**

U.S. PATENT DOCUMENTS

- D427,567 S * 7/2000 Nishio et al. D13/147
- 6,224,420 B1 * 5/2001 Nishio et al. 439/607 X
- D450,302 S * 11/2001 Shimojyo D13/147
- D452,848 S * 1/2002 Shimojyo D13/147

- D455,402 S * 4/2002 Hu D13/147
- 6,508,678 B1 * 1/2003 Yang 439/607 X
- 2002/0081903 A1 * 6/2002 Yang 439/607
- 2002/0142657 A1 * 10/2002 Nishio et al. 439/607

FOREIGN PATENT DOCUMENTS

JP 1076102 6/2000

* cited by examiner

Primary Examiner—Joel Sincavage

(74) *Attorney, Agent, or Firm*—Sughrue Mion, PLLC

(57) **CLAIM**

The ornamental design for a connector, as shown.

DESCRIPTION

FIG. 1 is a top, front and right side of a connector showing our new design;
 FIG. 2 is a bottom, rear and left side thereof;
 FIG. 3 is a front elevational view thereof;
 FIG. 4 is a rear elevational view thereof;
 FIG. 5 is a left side elevational view thereof;
 FIG. 6 is a right side elevational thereof;
 FIG. 7 is a top plan view thereof; and,
 FIG. 8 is a bottom plan view thereof.

1 Claim, 4 Drawing Sheets

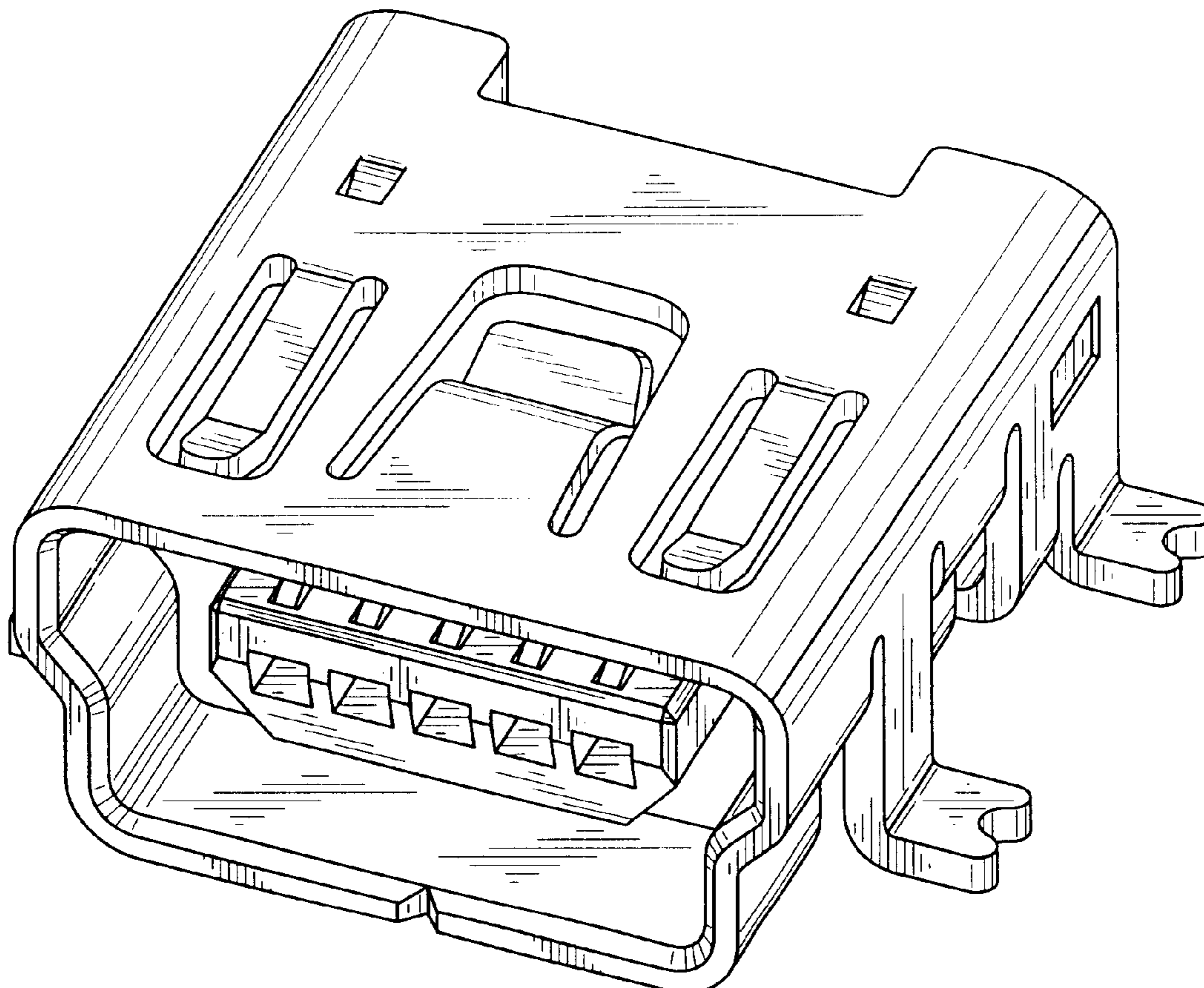


FIG. 1

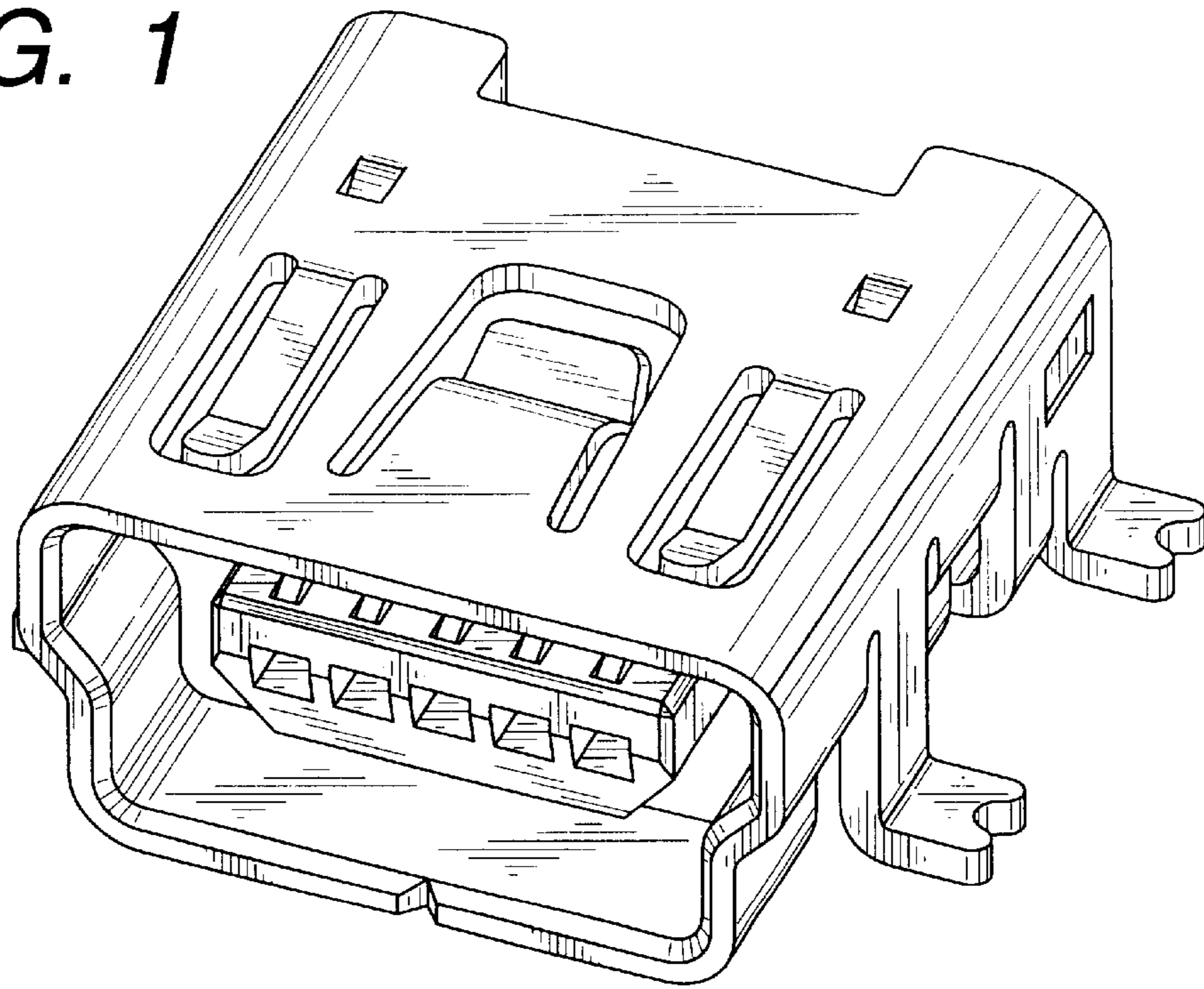


FIG. 2

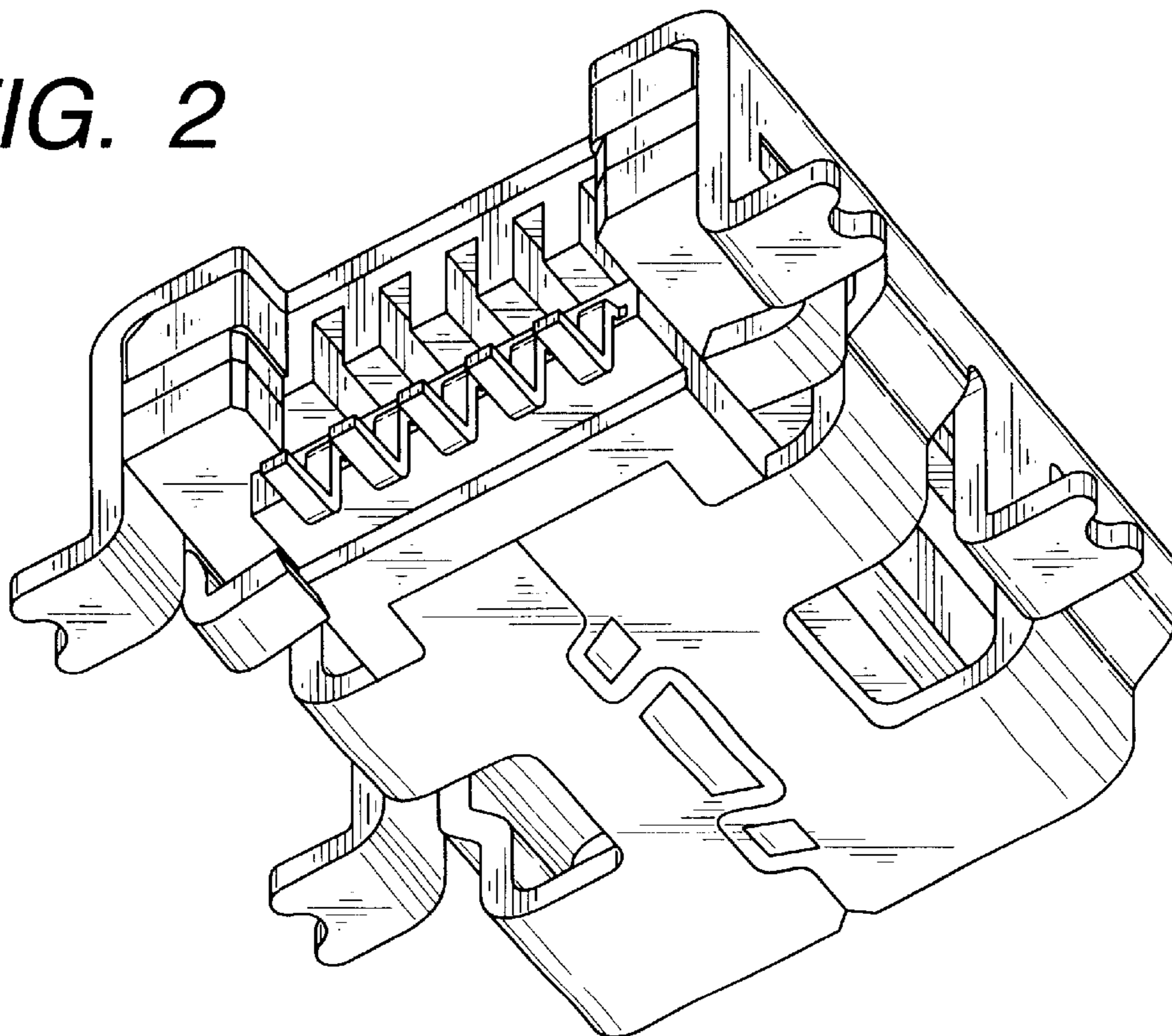


FIG. 3

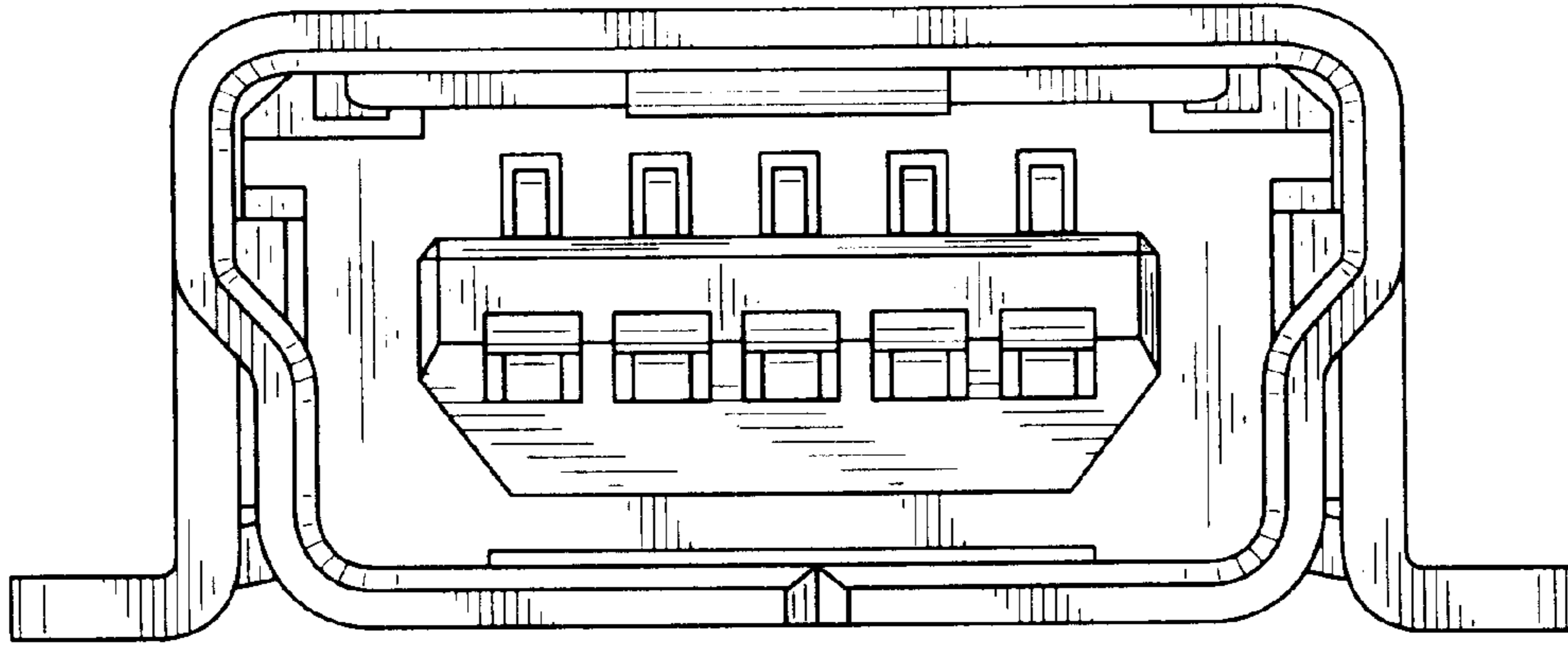


FIG. 4

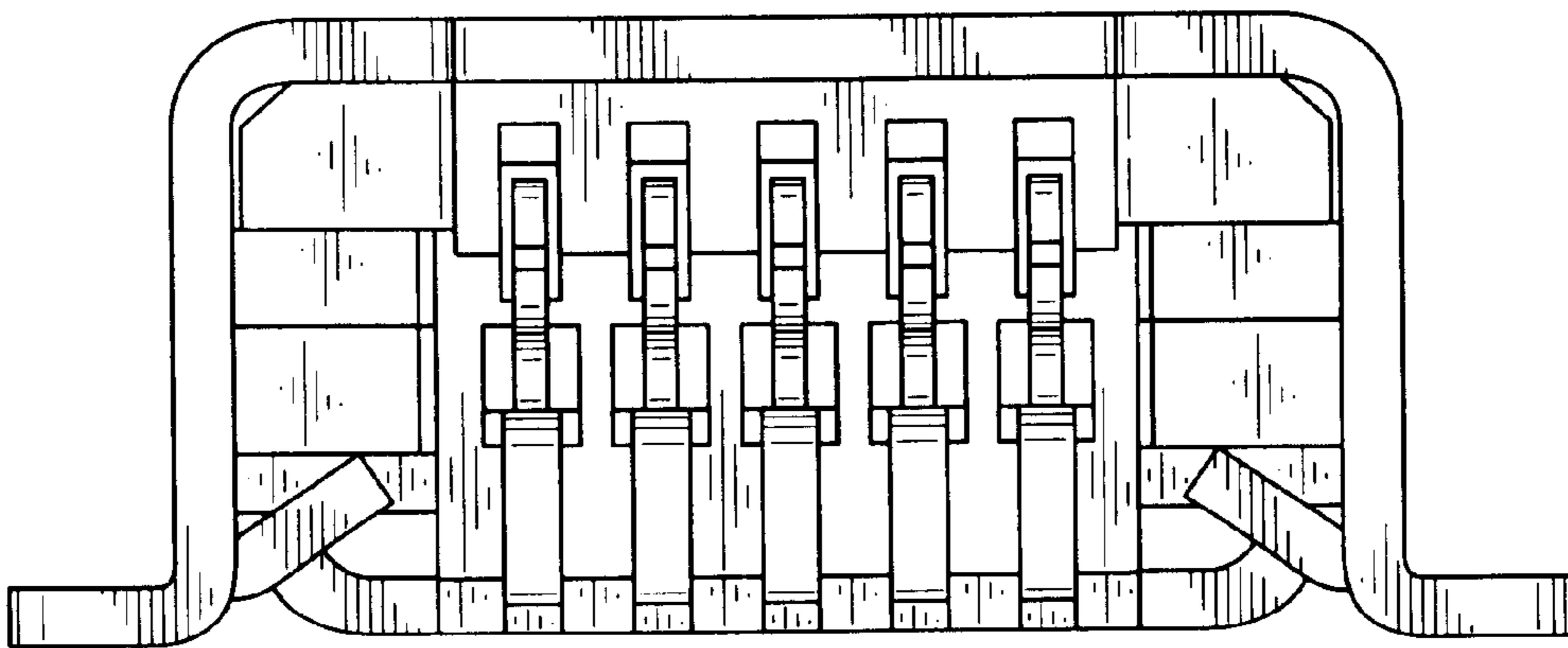


FIG. 5

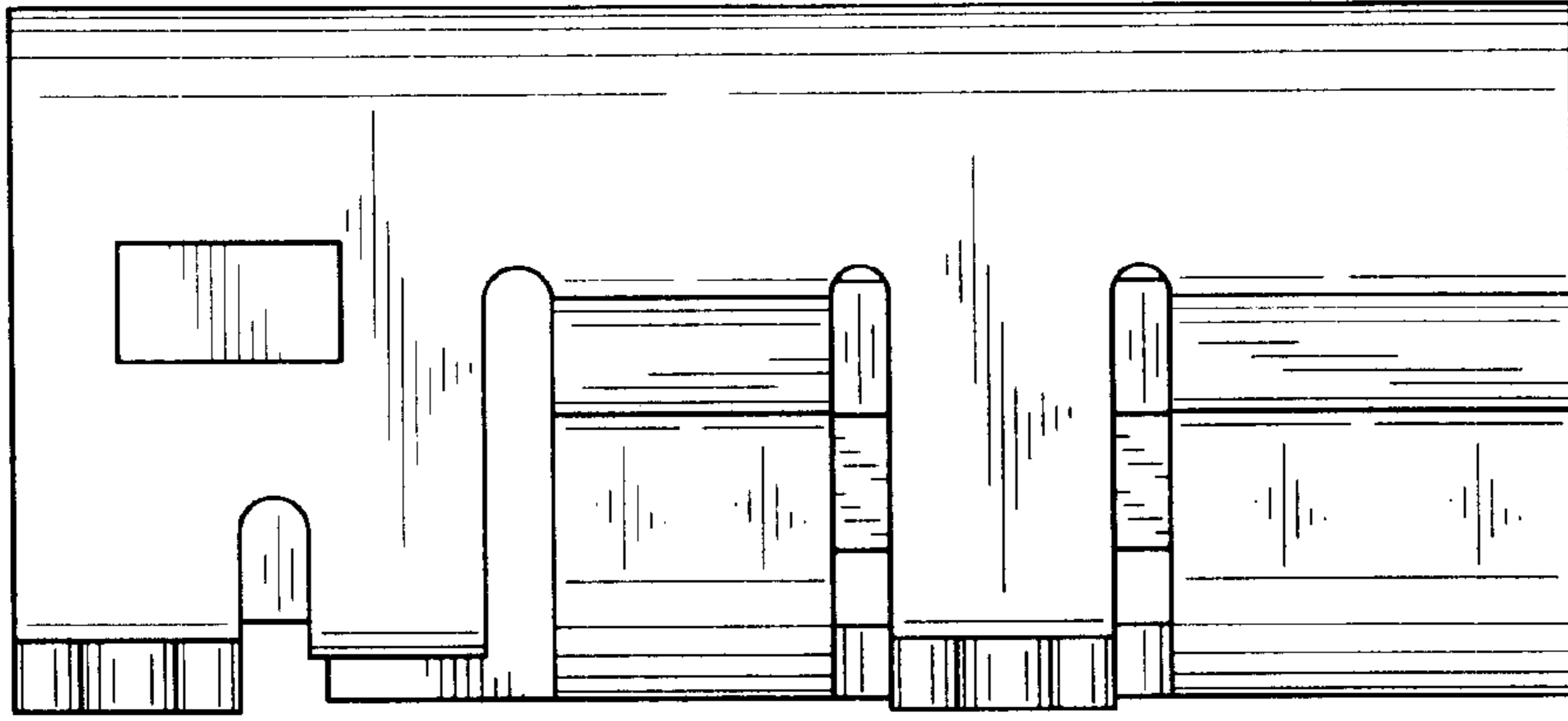


FIG. 6



FIG. 7

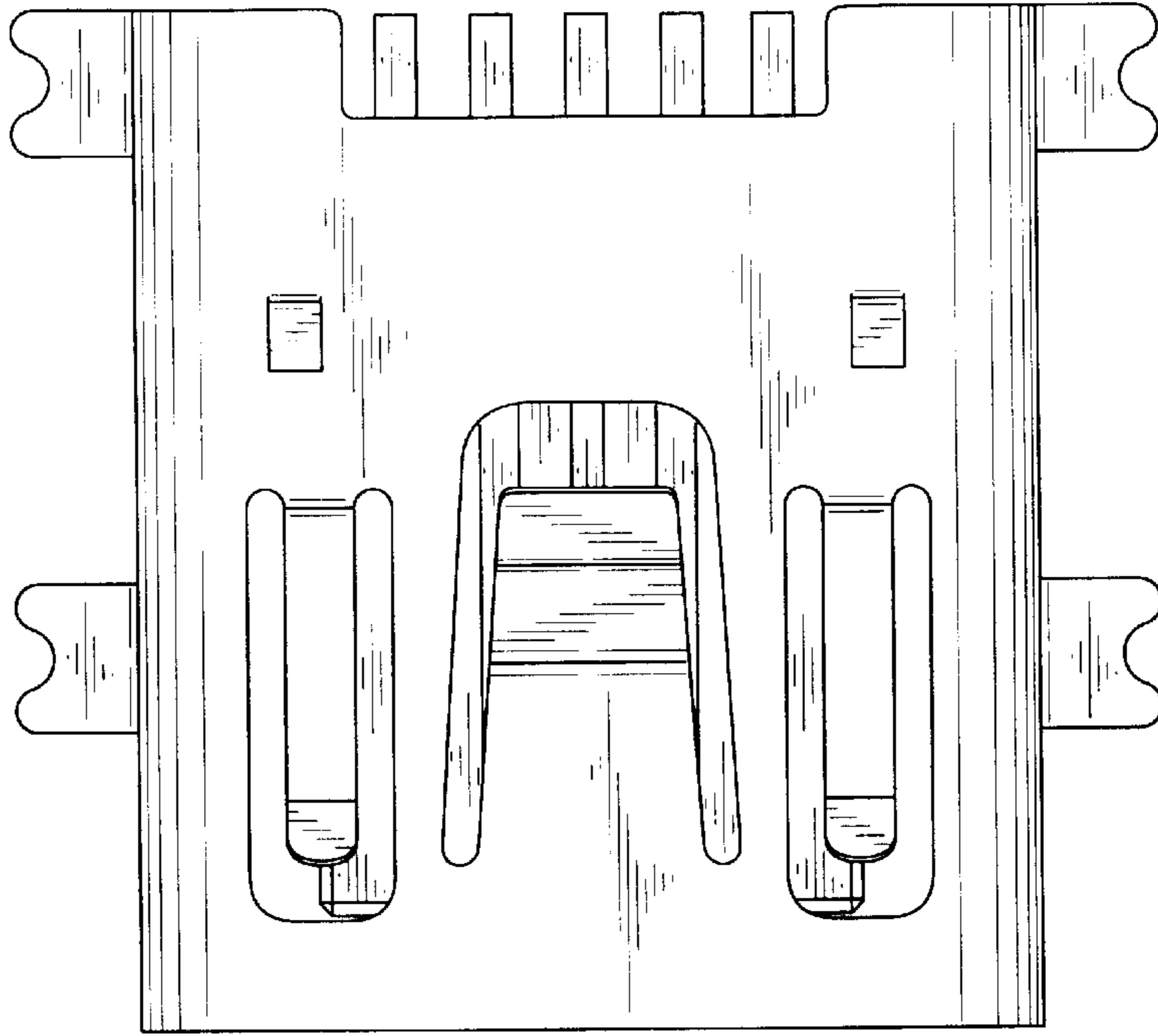


FIG. 8

