



US00D476953S

(12) **United States Design Patent**
Ushiro et al.

(10) **Patent No.:** **US D476,953 S**

(45) **Date of Patent:** **** Jul. 8, 2003**

(54) **PLUG FOR CONNECTOR**

(75) Inventors: **Yutaka Ushiro**, Yokohama (JP);
Katsuyuki Masaki, Yokohama (JP);
Yusuke Hamada, Yokohama (JP)

(73) Assignee: **J.S.T. Mfg. Co., Ltd.**, Osaka (JP)

(**) Term: **14 Years**

(21) Appl. No.: **29/160,971**

(22) Filed: **May 21, 2002**

(30) **Foreign Application Priority Data**

Nov. 26, 2001 (JP) 2001-034606

(51) **LOC (7) Cl.** **13-03**

(52) **U.S. Cl.** **D13/147**

(58) **Field of Search** D13/146, 147;
439/353, 350, 357, 489, 587, 595, 680,
752, 634, 686, 695, 701

(56) **References Cited**

U.S. PATENT DOCUMENTS

- 4,367,003 A * 1/1983 Frantz 439/347
- D335,649 S * 5/1993 Ogawa D13/147
- 5,271,739 A * 12/1993 Denlinger et al. 439/466
- 5,564,953 A * 10/1996 Endo et al. 439/701
- 5,895,289 A * 4/1999 Smith 439/553
- D422,562 S * 4/2000 Huang D13/147
- D425,869 S * 5/2000 Yokomizo et al. D13/147
- 6,113,437 A * 9/2000 Abe 439/701

- 6,123,575 A * 9/2000 Huang et al. 439/489
- 6,231,400 B1 * 5/2001 Nagai 439/701
- 6,439,909 B1 * 8/2002 Polgar et al. 439/248

* cited by examiner

Primary Examiner—Joel Sincavage

(74) *Attorney, Agent, or Firm*—Armstrong, Westerman & Hattori, LLP

(57) **CLAIM**

The ornamental design for a plug for connector, as shown and described.

DESCRIPTION

FIG. 1 is a perspective view of a plug for connector showing our new design;

FIG. 2 shows a front elevation view thereof;

FIG. 3 shows a rear elevation view thereof;

FIG. 4 shows a top plan view thereof;

FIG. 5 shows a bottom plan view thereof;

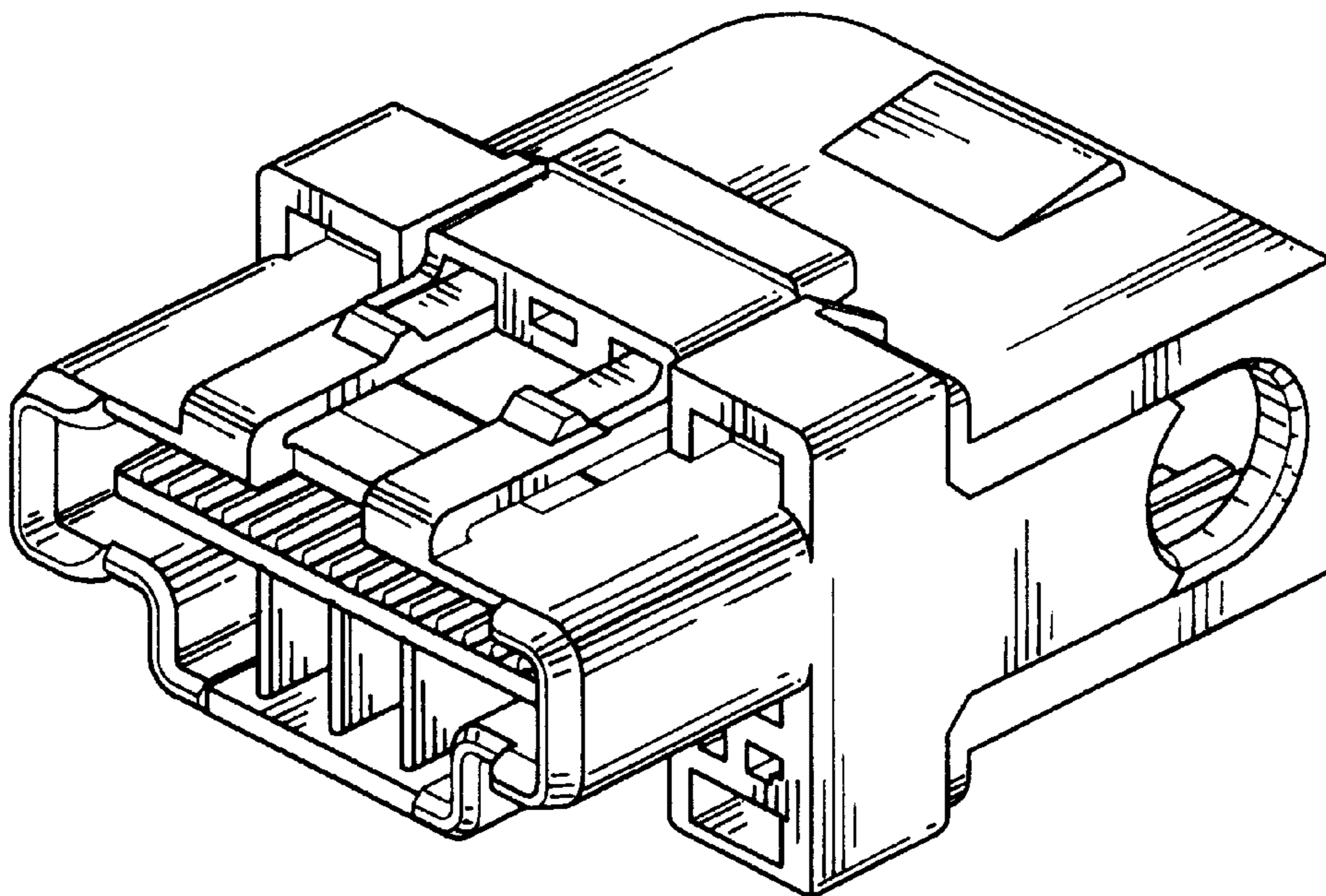
FIG. 6 shows a right side elevation view thereof;

FIG. 7 shows a left side elevation view thereof;

FIG. 8 shows a section elevation view along line 8—8 in FIG. 4; and,

FIG. 9 is a perspective view of a plug for connector showing the corresponding socket for connector for use. The broken lines in FIG. 9 are included for the purpose of illustrating environmental structure only and form no part of the claimed design.

1 Claim, 6 Drawing Sheets



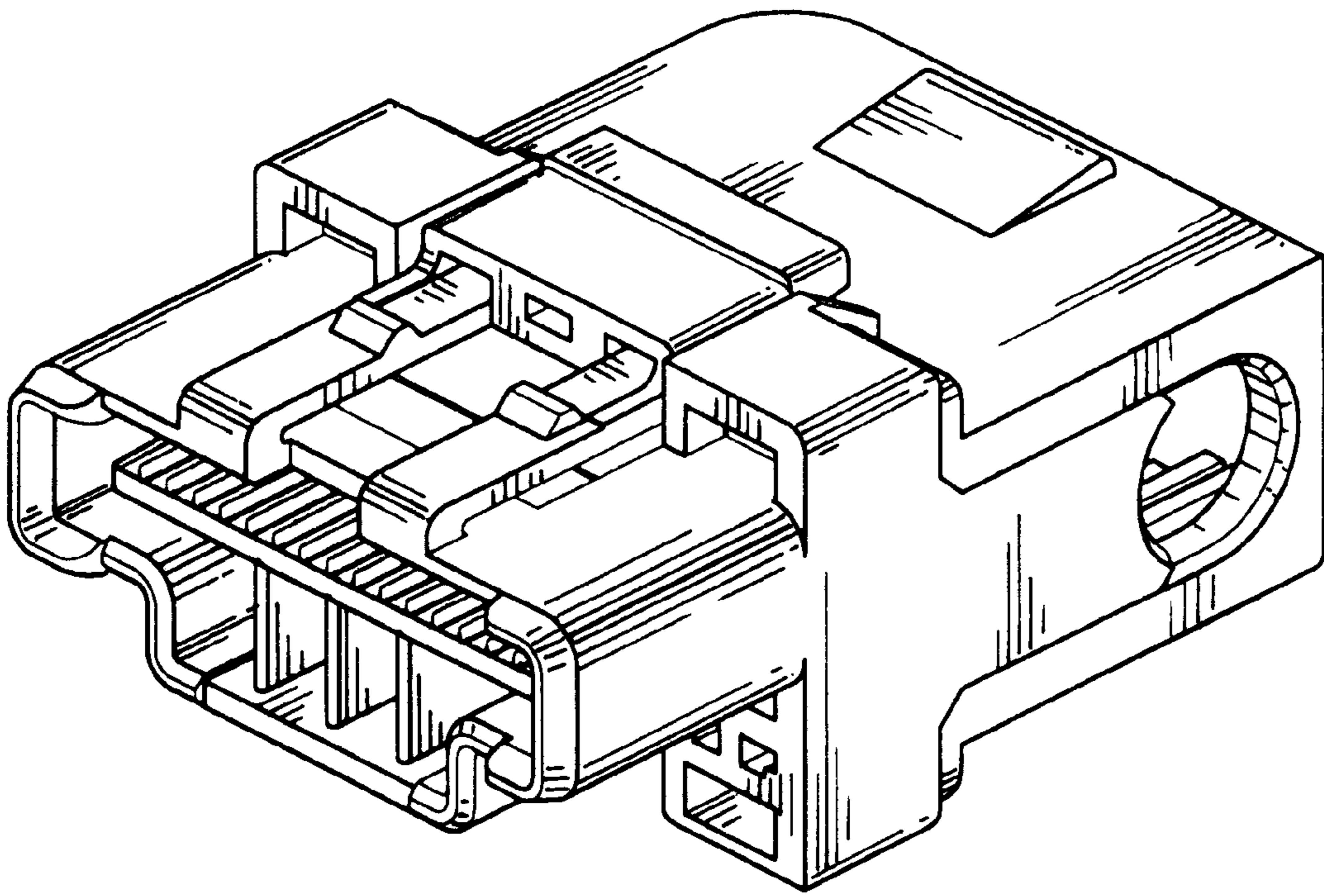


FIG. 1

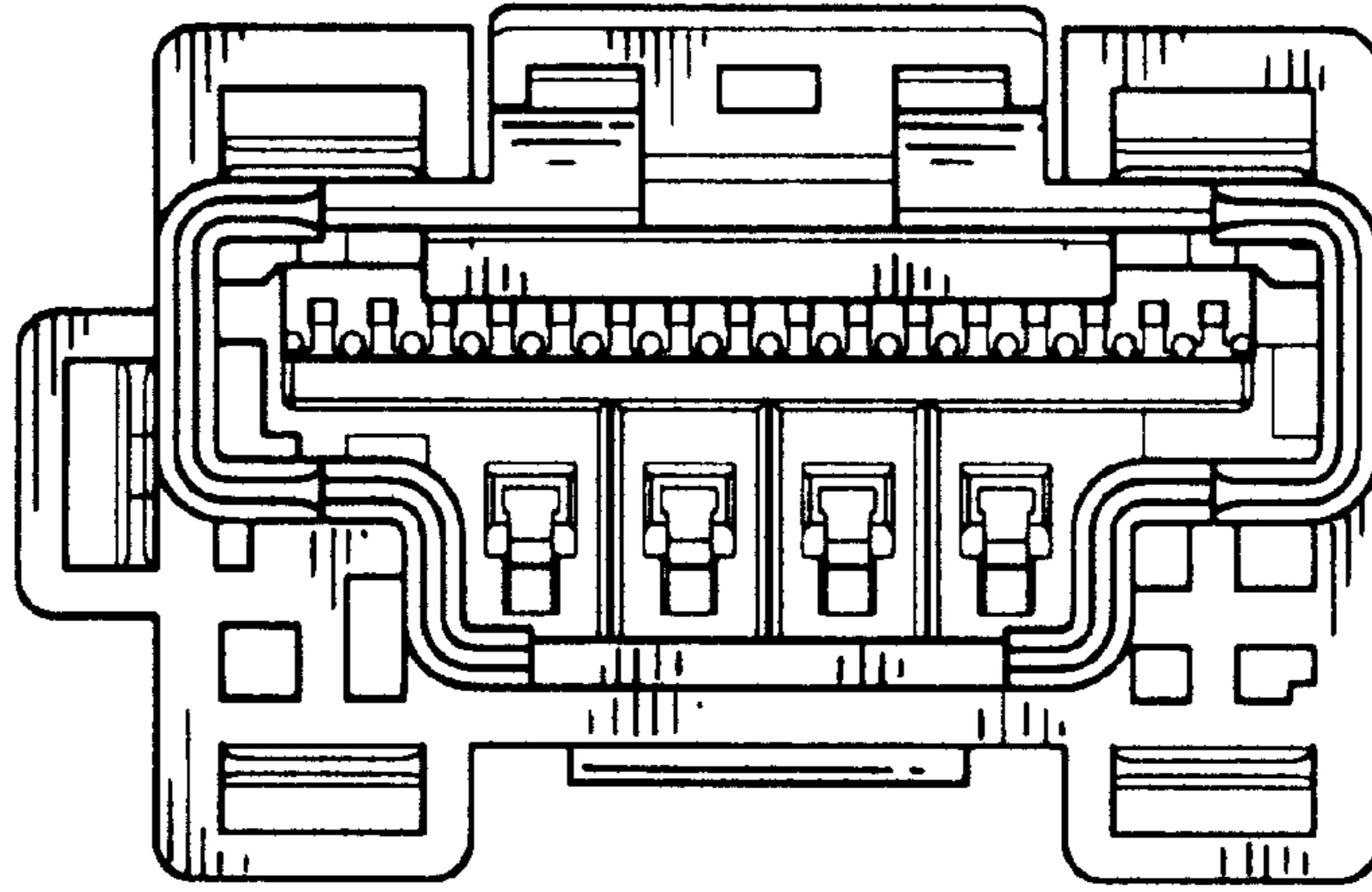


FIG. 2

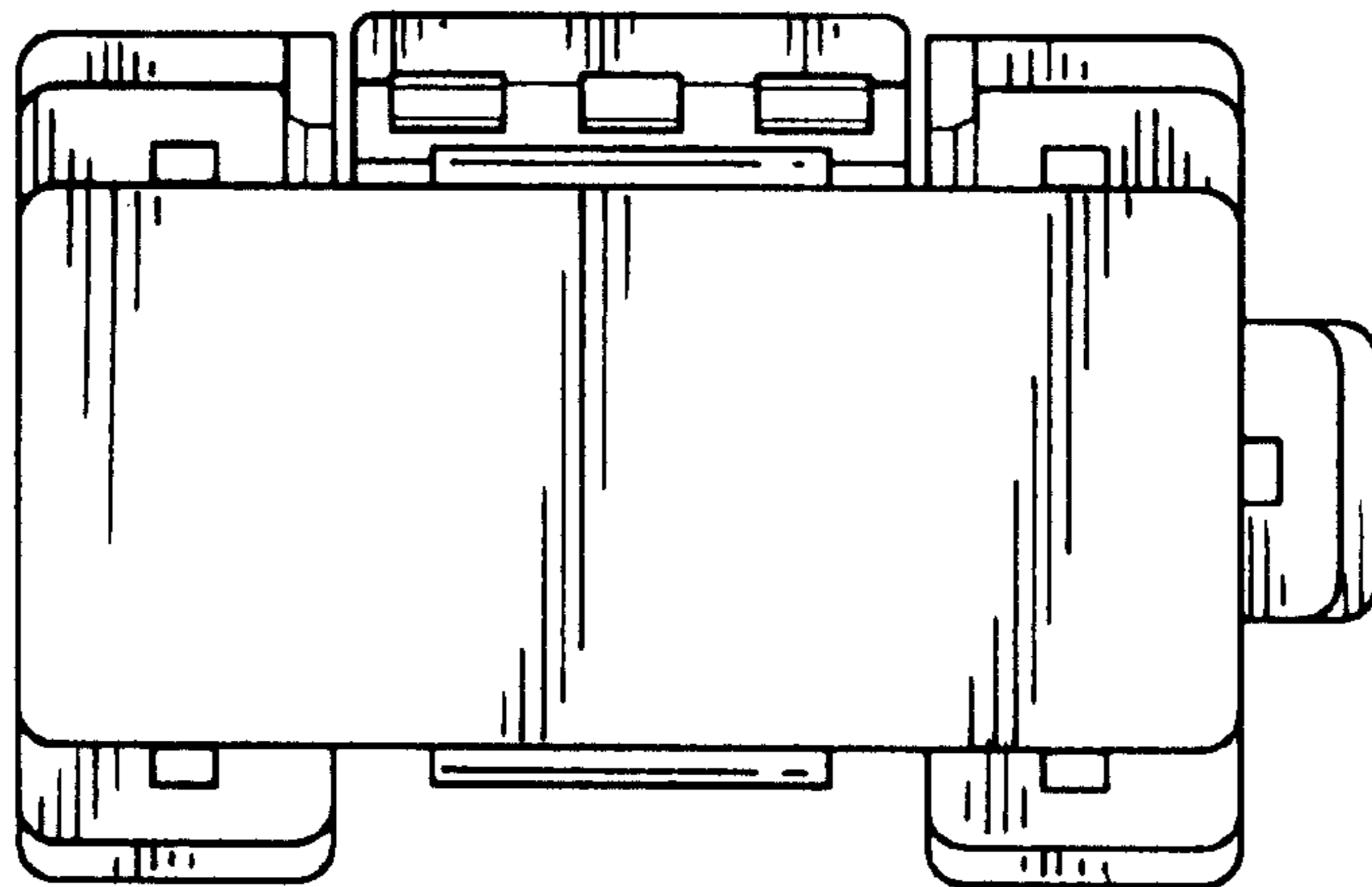


FIG. 3

FIG. 4

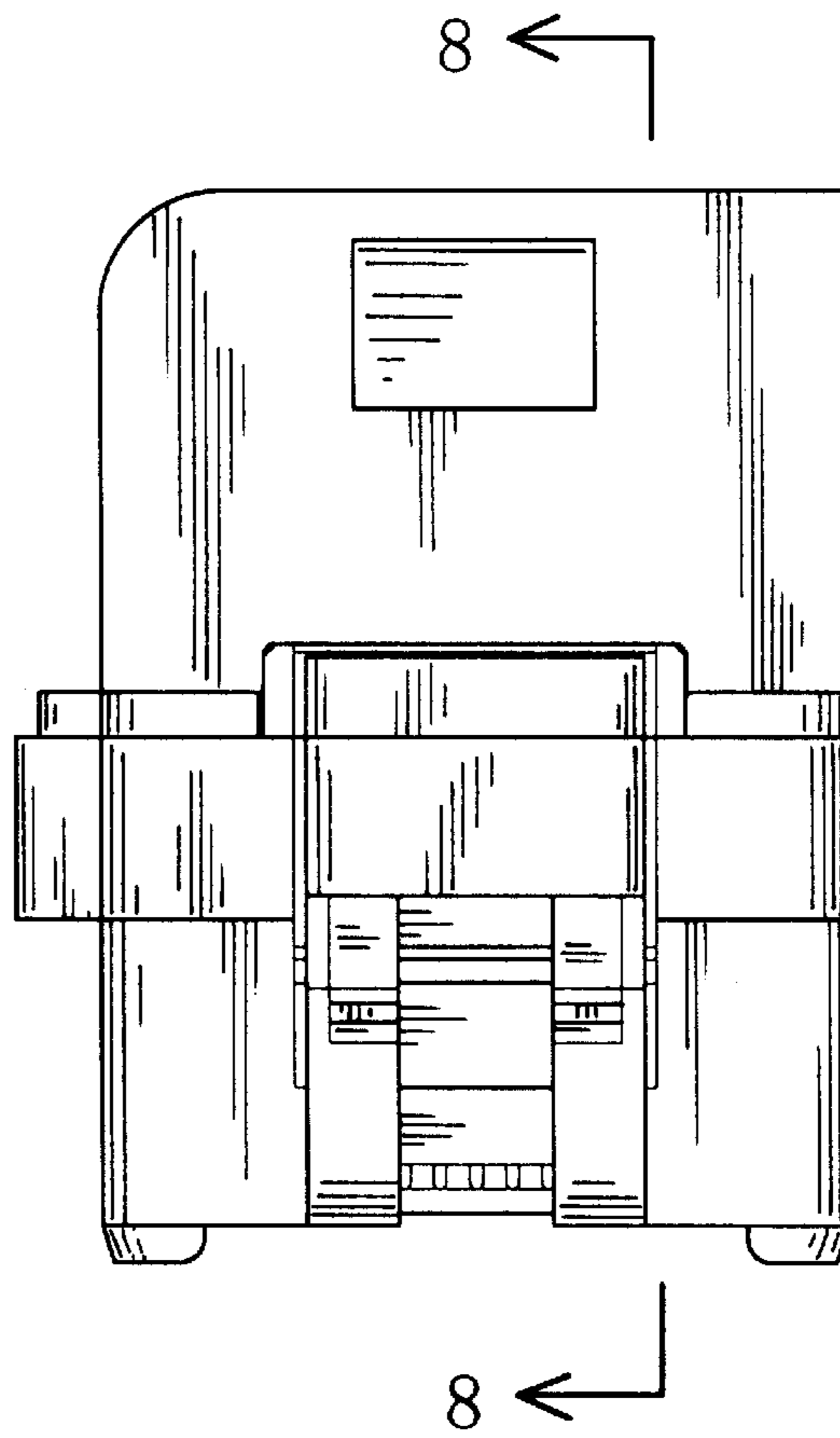
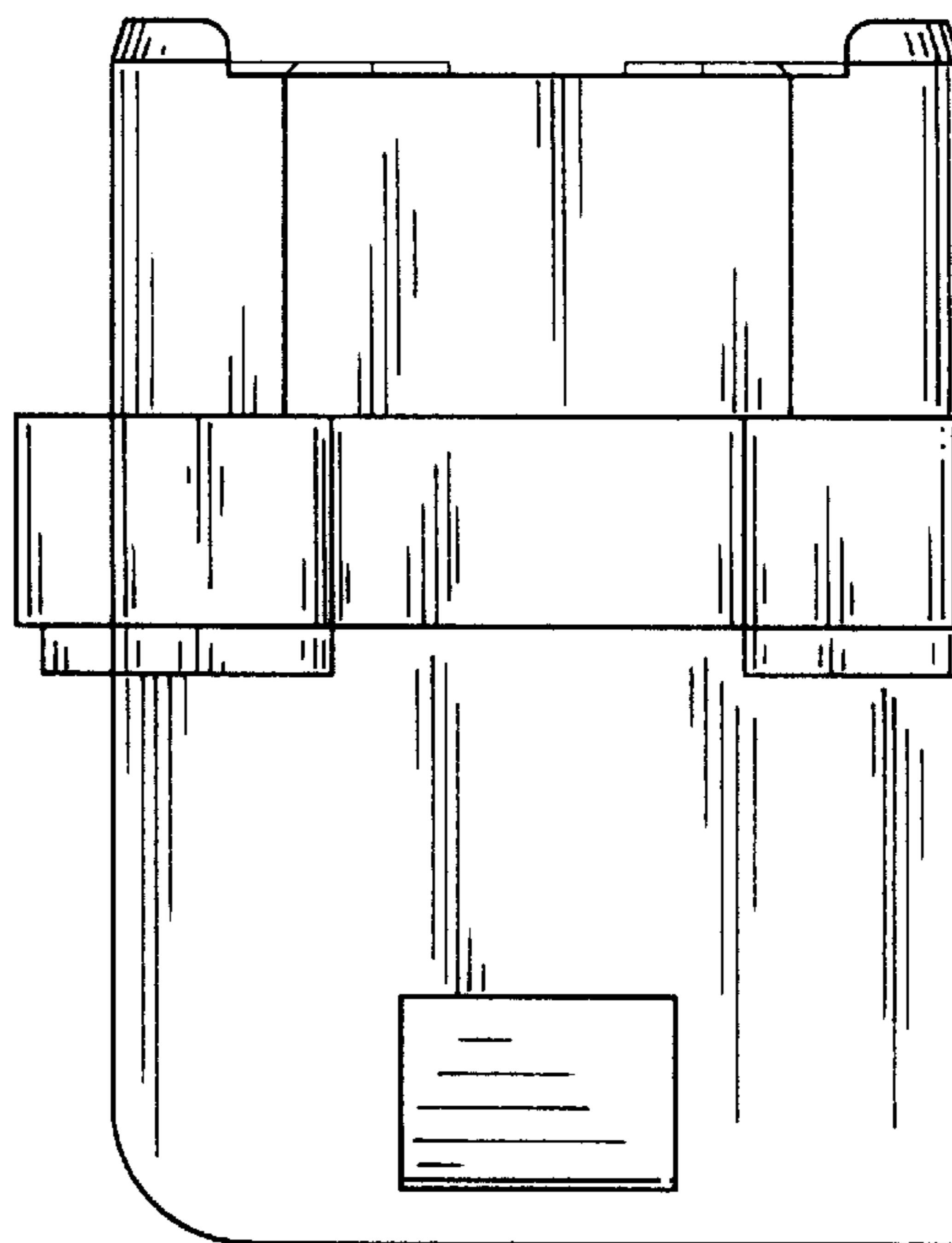


FIG. 5



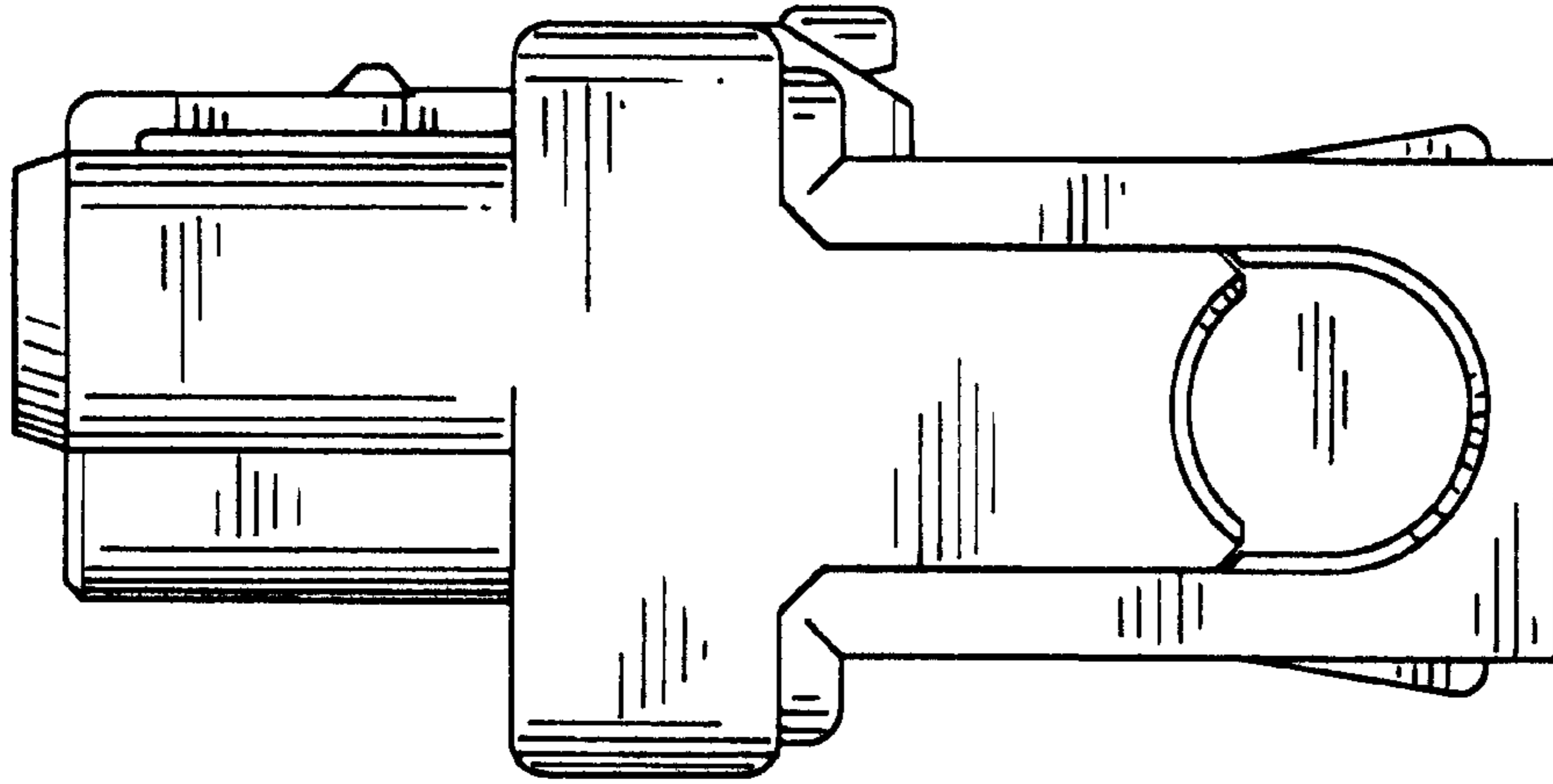


FIG. 6

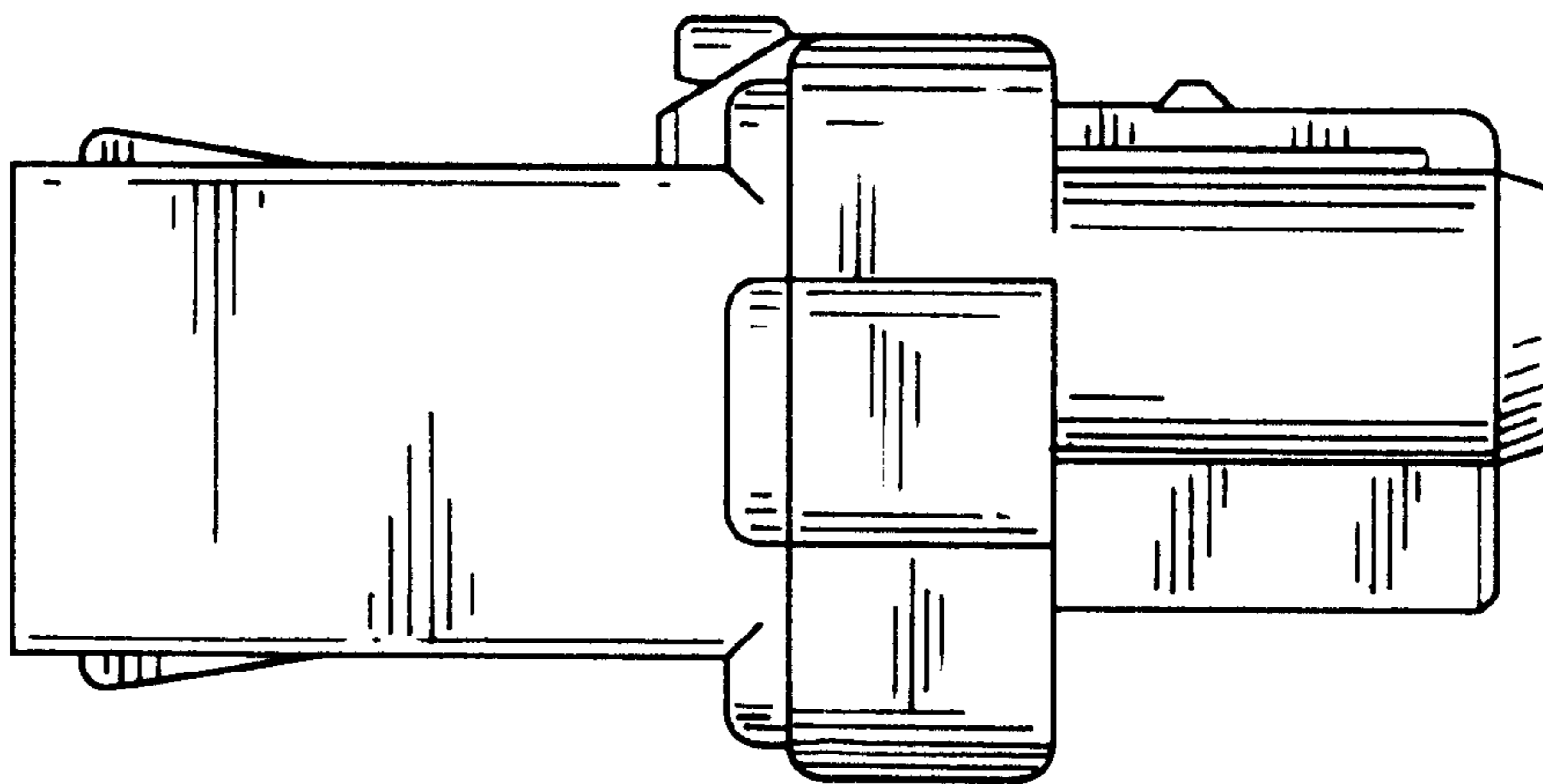


FIG. 7

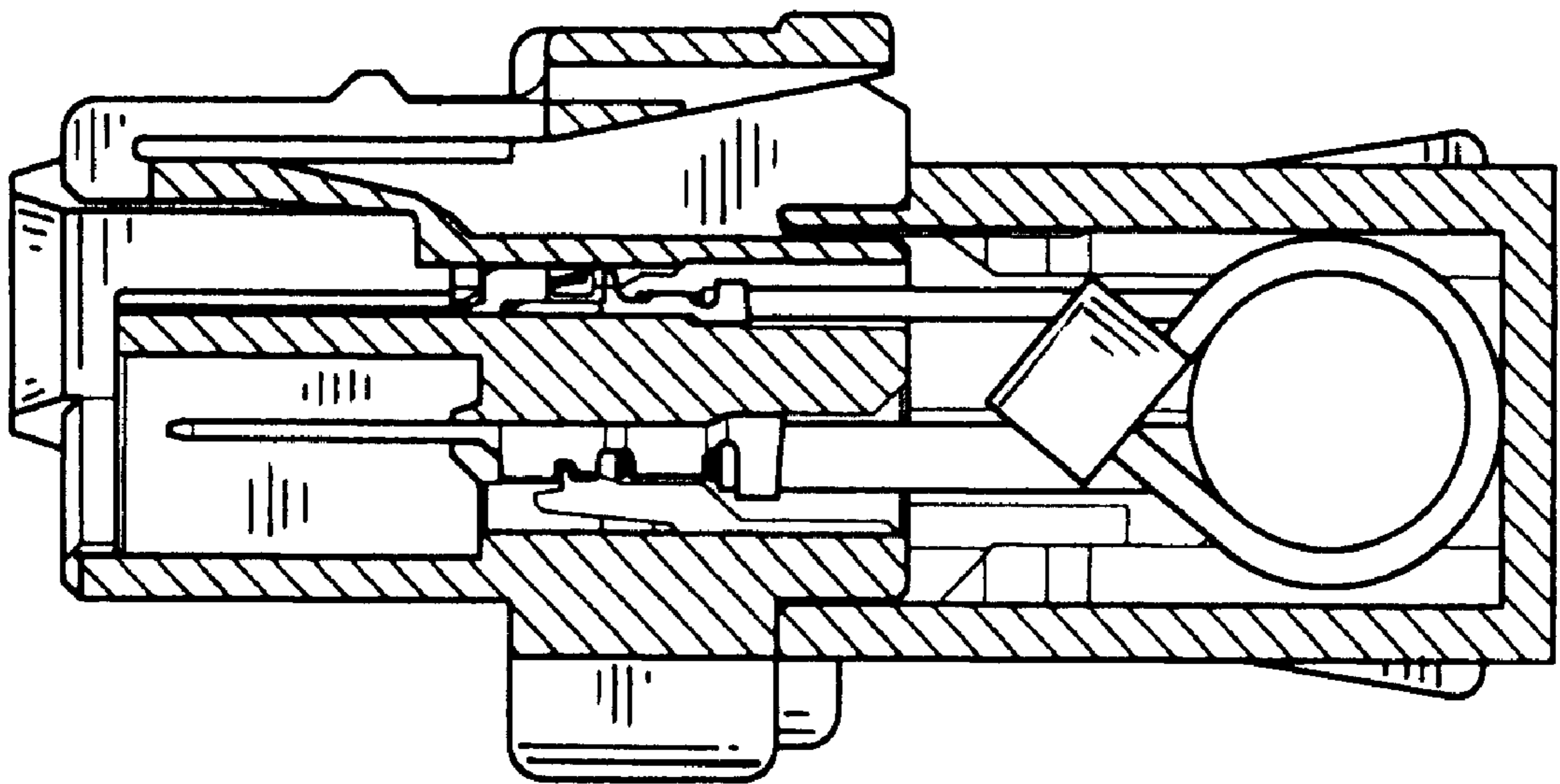


FIG. 8

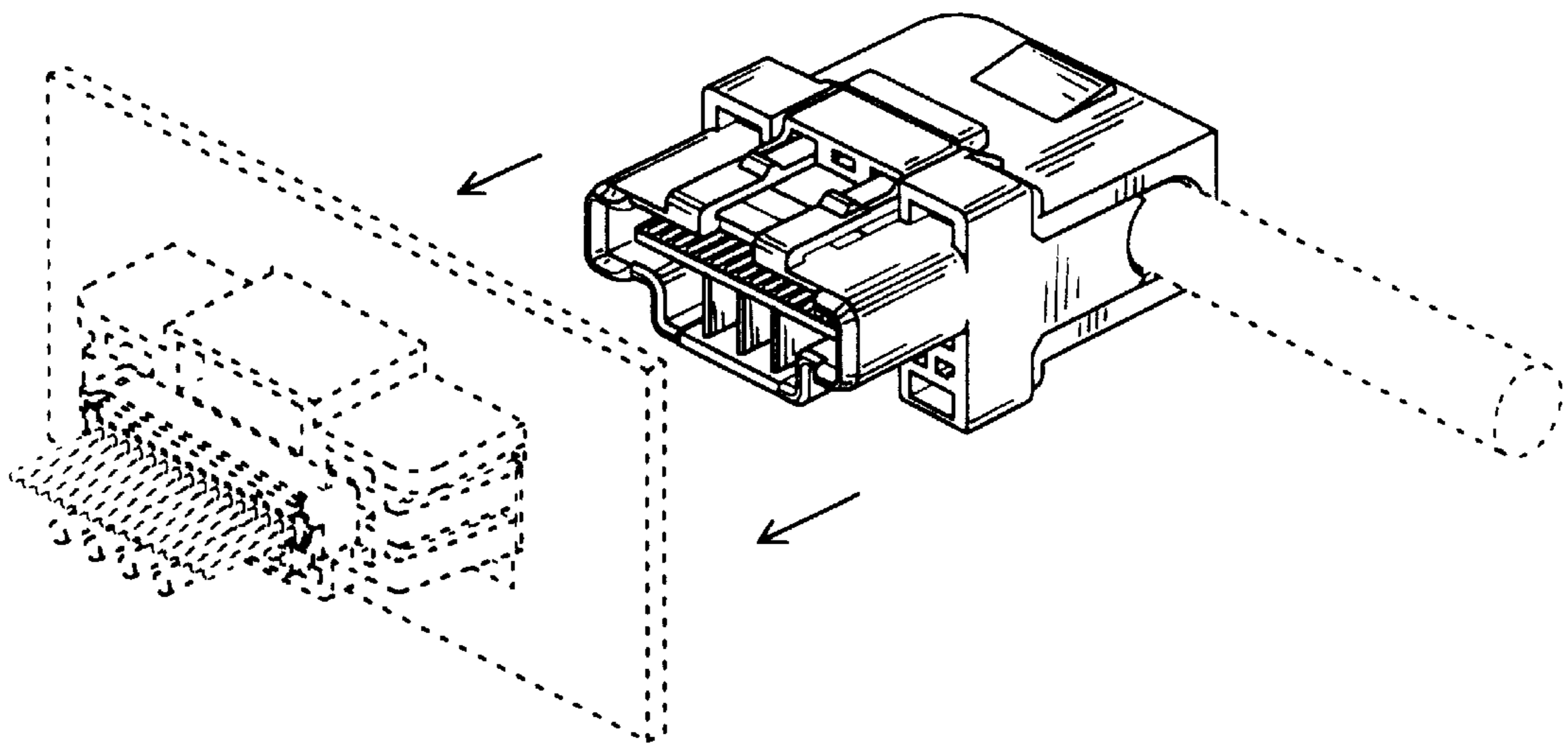


FIG. 9