



US00D476952S

(12) **United States Design Patent**
Masaki

(10) **Patent No.:** **US D476,952 S**

(45) **Date of Patent:** **** Jul. 8, 2003**

(54) **ELECTRICAL CONNECTOR**

2002/0076956 A1 * 6/2002 Yuzawa 439/79

(75) Inventor: **Youichiro Masaki, Isesaki (JP)**

* cited by examiner

(73) Assignee: **Hosiden Corporation, Osaka (JP)**

Primary Examiner—Joel Sincavage

(**) Term: **14 Years**

(74) *Attorney, Agent, or Firm*—Jones, Tullar & Cooper, P.C.

(21) Appl. No.: **29/157,863**

(57) **CLAIM**

(22) Filed: **Mar. 28, 2002**

The ornamental design for an electrical connector, as shown and described.

(30) **Foreign Application Priority Data**

DESCRIPTION

Oct. 1, 2001 (JP) 2001-028720

(51) **LOC (7) Cl.** **13-03**

(52) **U.S. Cl.** **D13/147**

(58) **Field of Search** D13/146, 147,
D13/154; 439/79, 108, 607, 610, 581

FIG. 1 is a front elevation view of the electrical connector according to the present invention;

FIG. 2 is a rear elevation view of the electrical connector of FIG. 1;

FIG. 3 is a right side elevation view of the electrical connector of FIG. 1;

FIG. 4 is a left side elevation view of the electrical connector of FIG. 1;

FIG. 5 is a top plane view of the electrical connector of FIG. 1;

FIG. 6 is a bottom plan view of the electrical connector of FIG. 1; and,

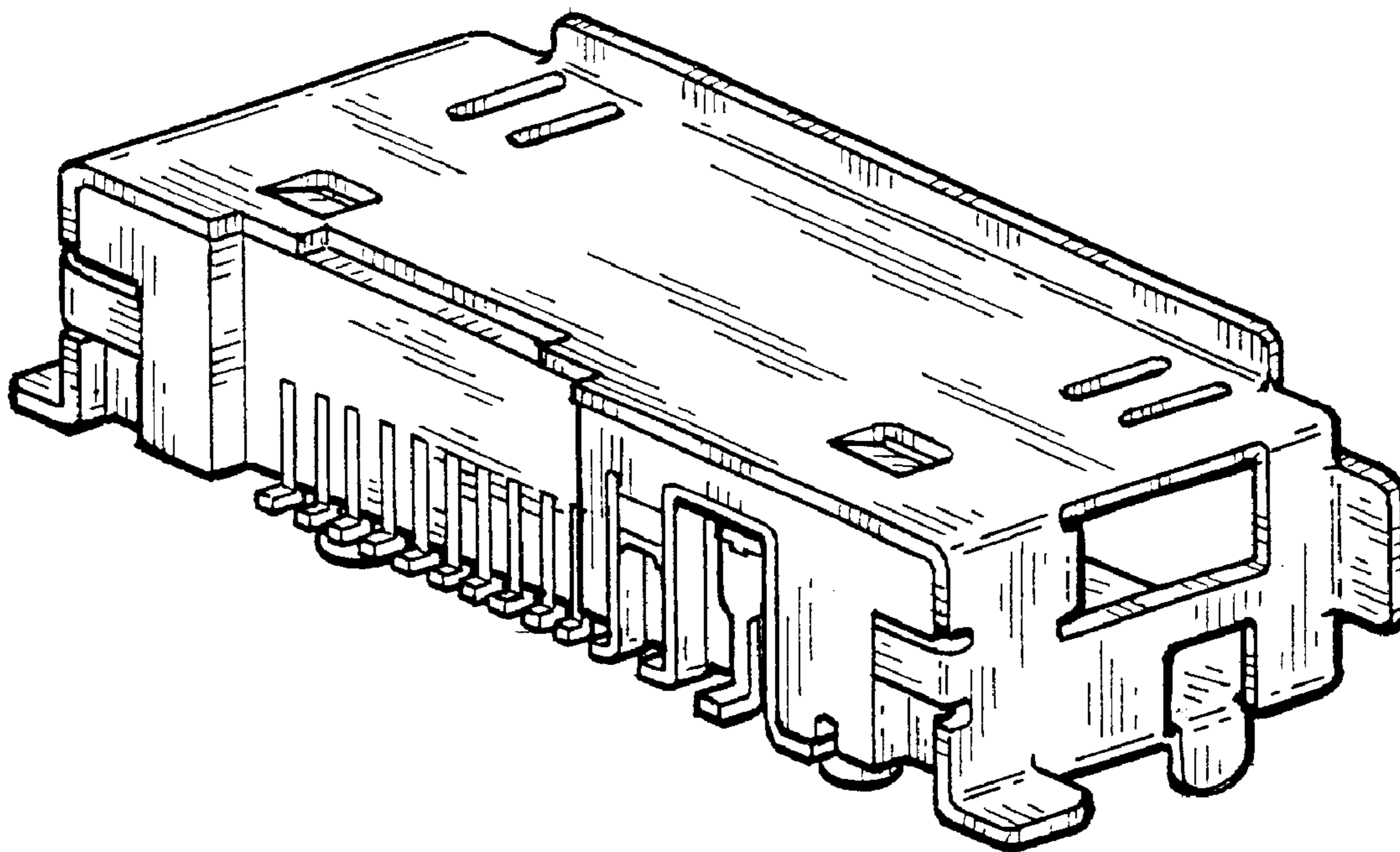
FIG. 7 is a perspective view of the electrical connector of FIG. 1.

(56) **References Cited**

U.S. PATENT DOCUMENTS

D408,788 S	*	4/1999	Homma	D13/147
D409,575 S	*	5/1999	Okamoto	D13/147
D410,896 S	*	6/1999	Yotsutani et al.	D13/147
6,000,968 A	*	12/1999	Hagiwara	439/607
6,322,396 B1	*	11/2001	Kuan	439/607
D453,499 S	*	2/2002	Hisada et al.	D13/147
D463,374 S	*	9/2002	Homma et al.	D13/147
D465,202 S	*	11/2002	Kubota	D13/147

1 Claim, 3 Drawing Sheets



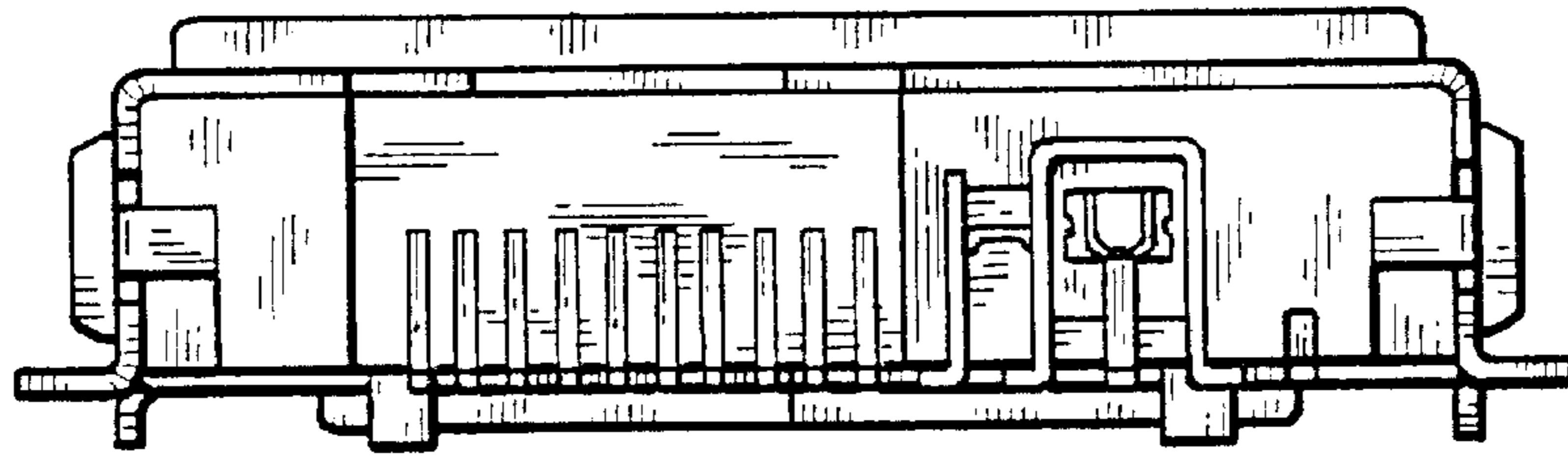


FIG. 1

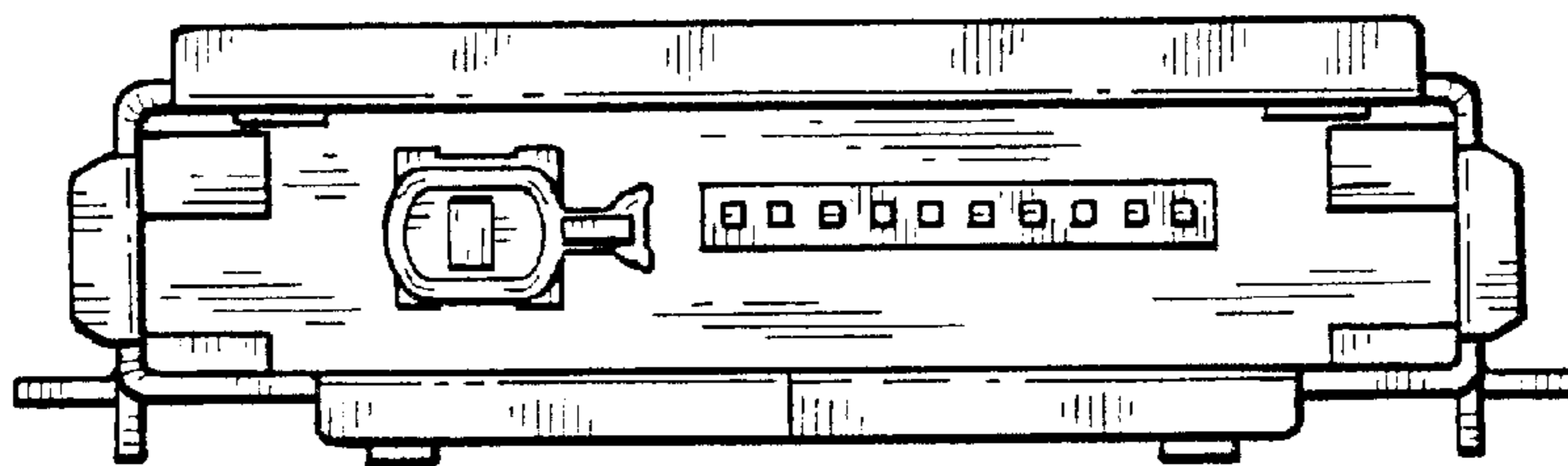


FIG. 2

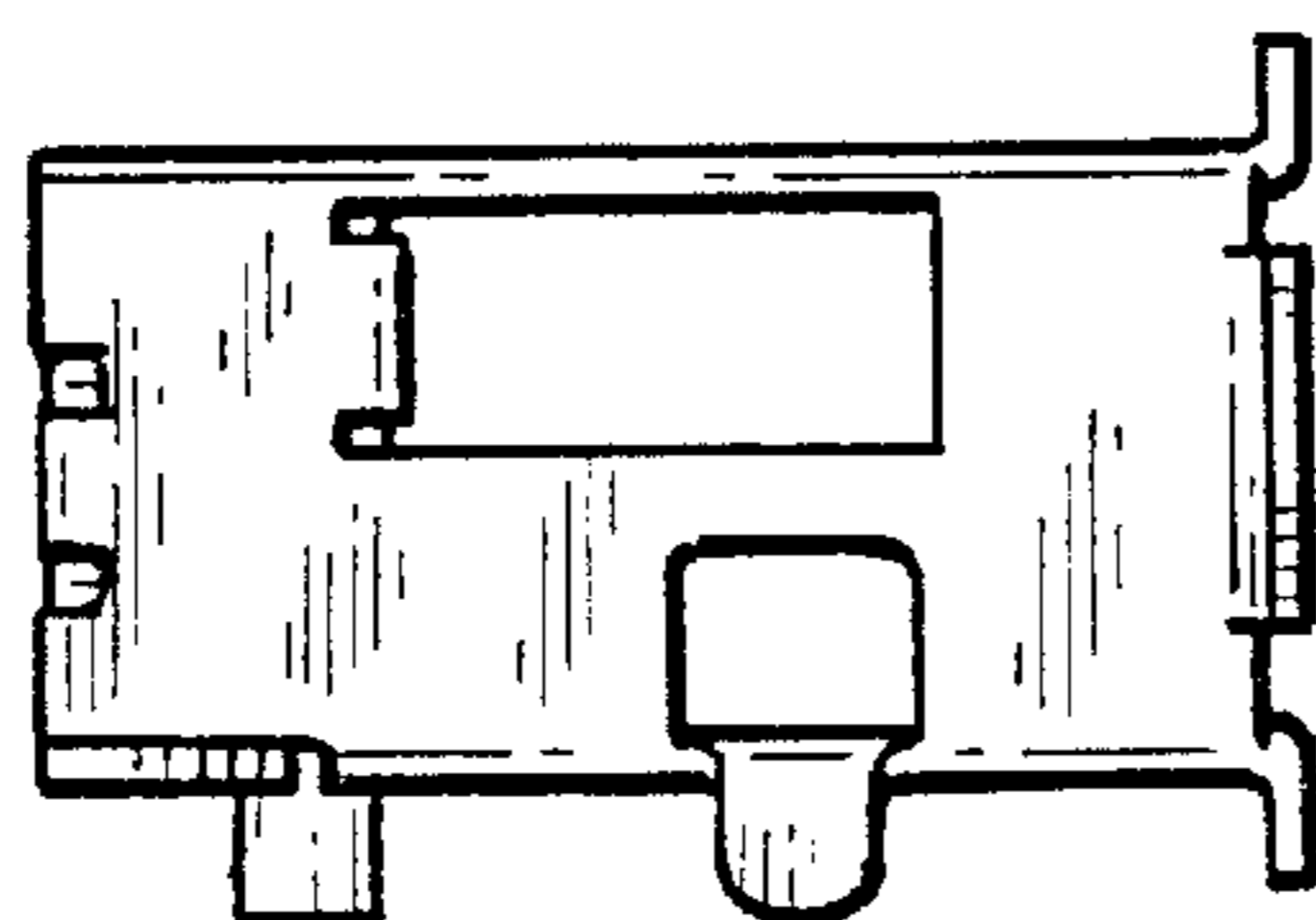


FIG. 3

FIG. 4

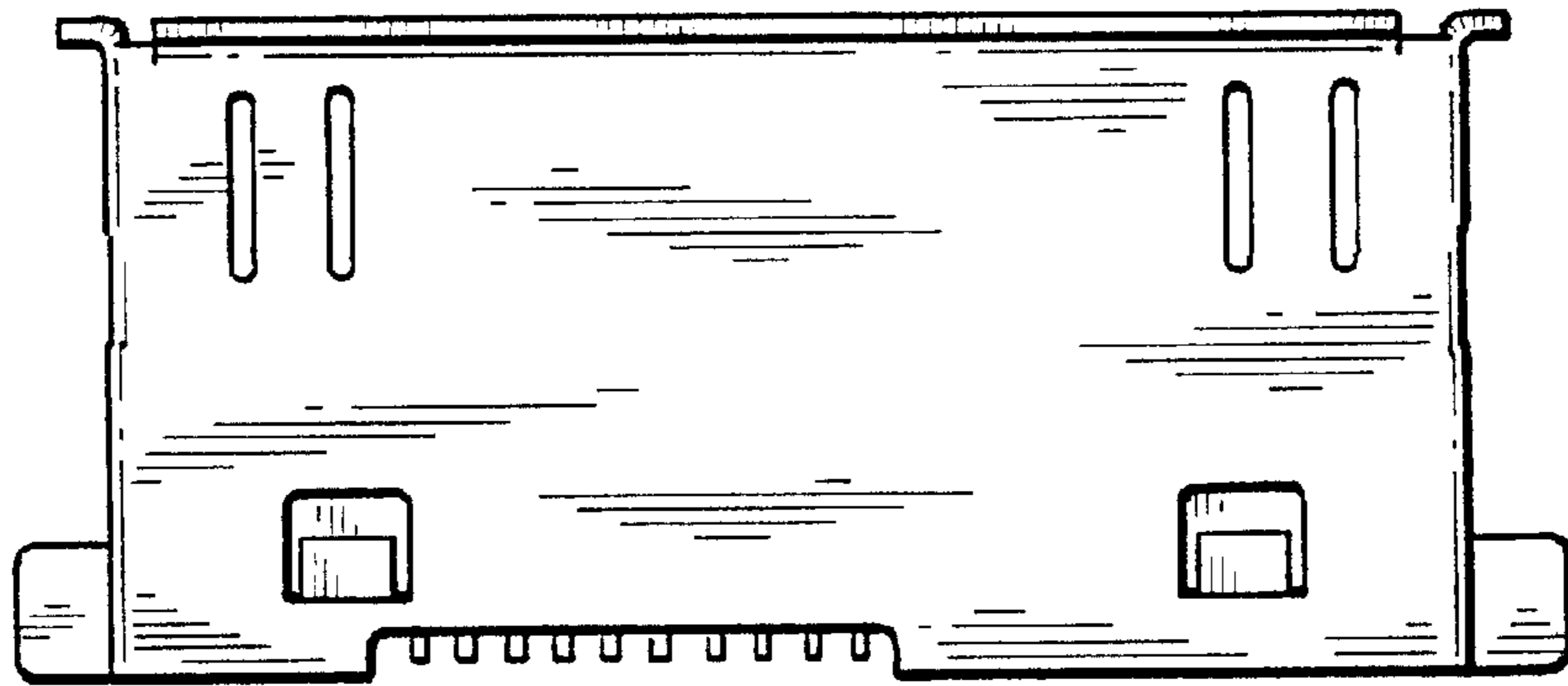
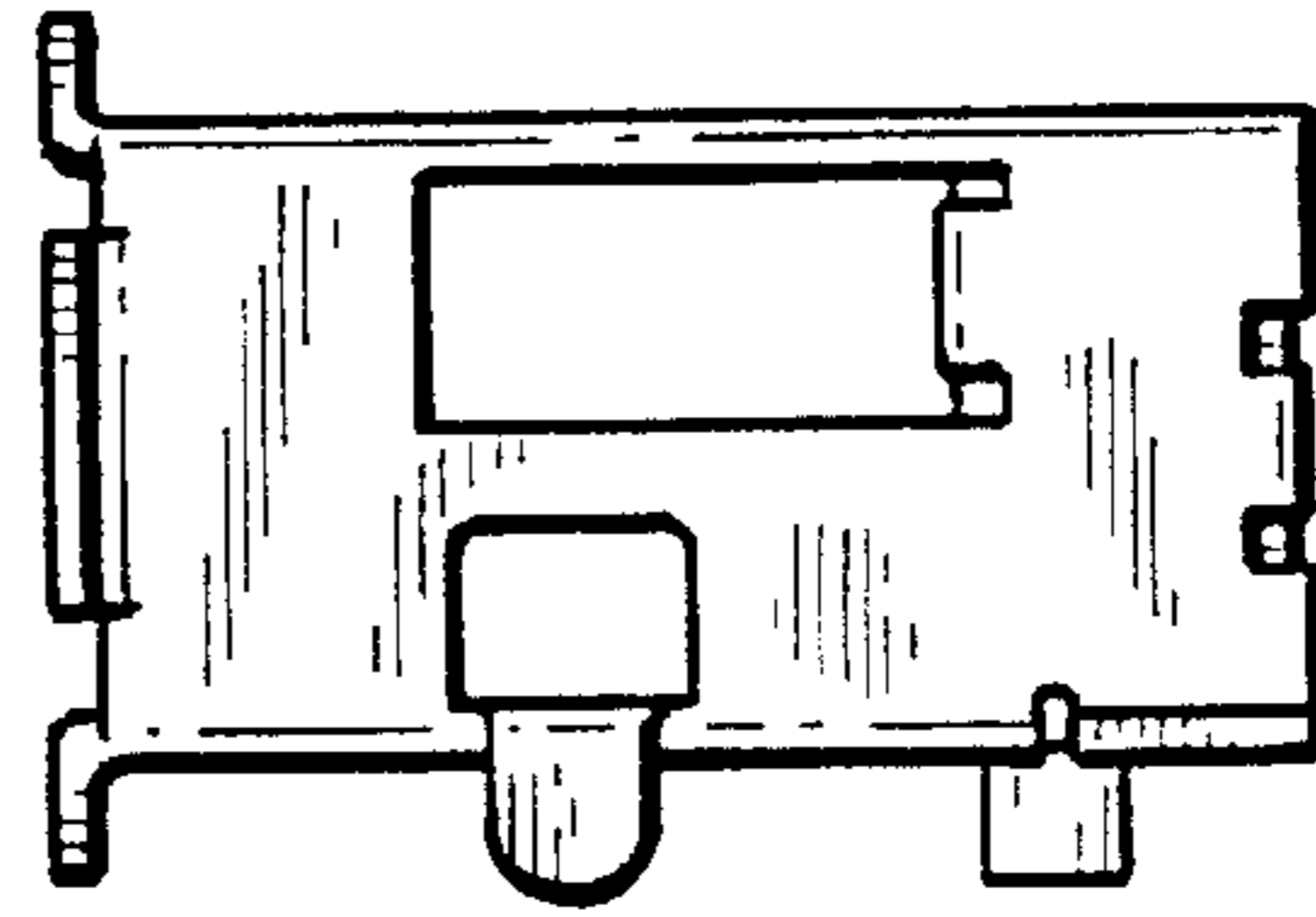


FIG. 5

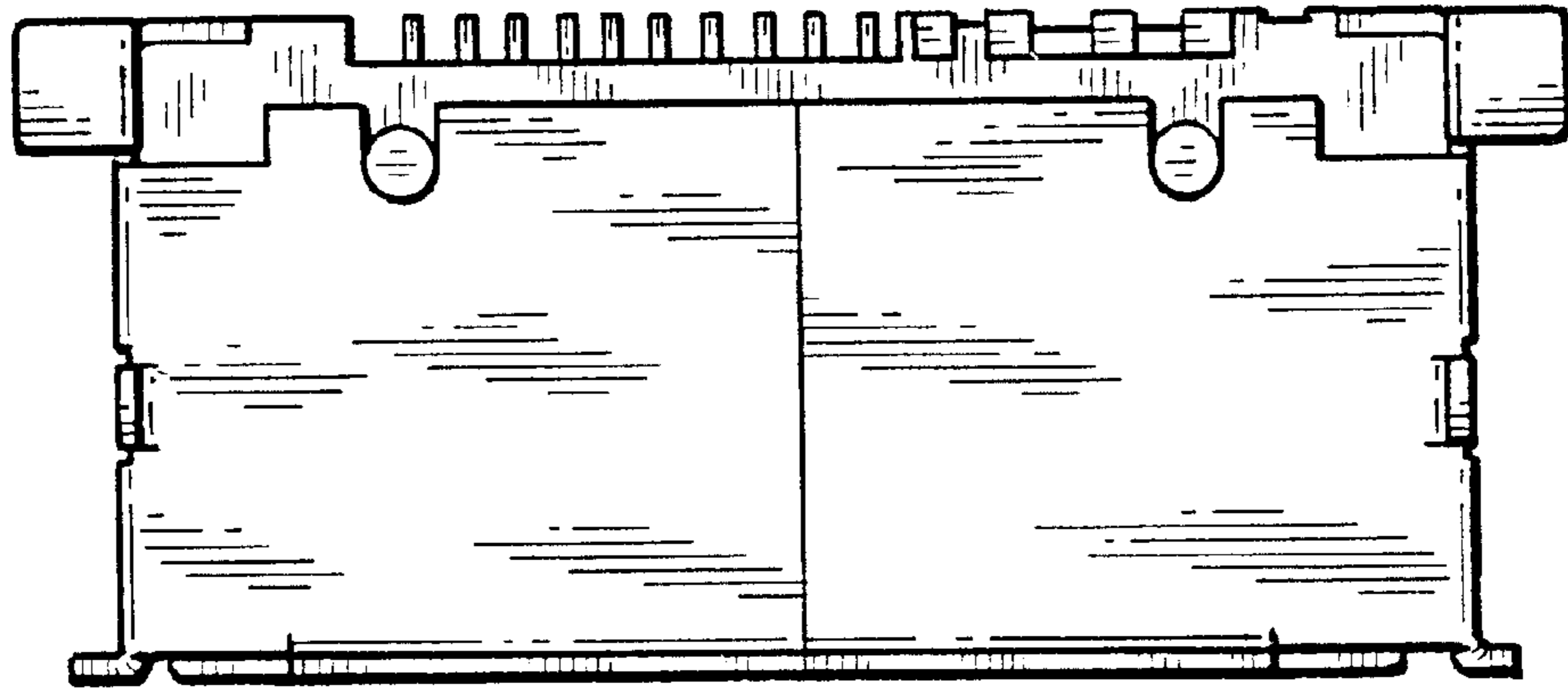


FIG. 6

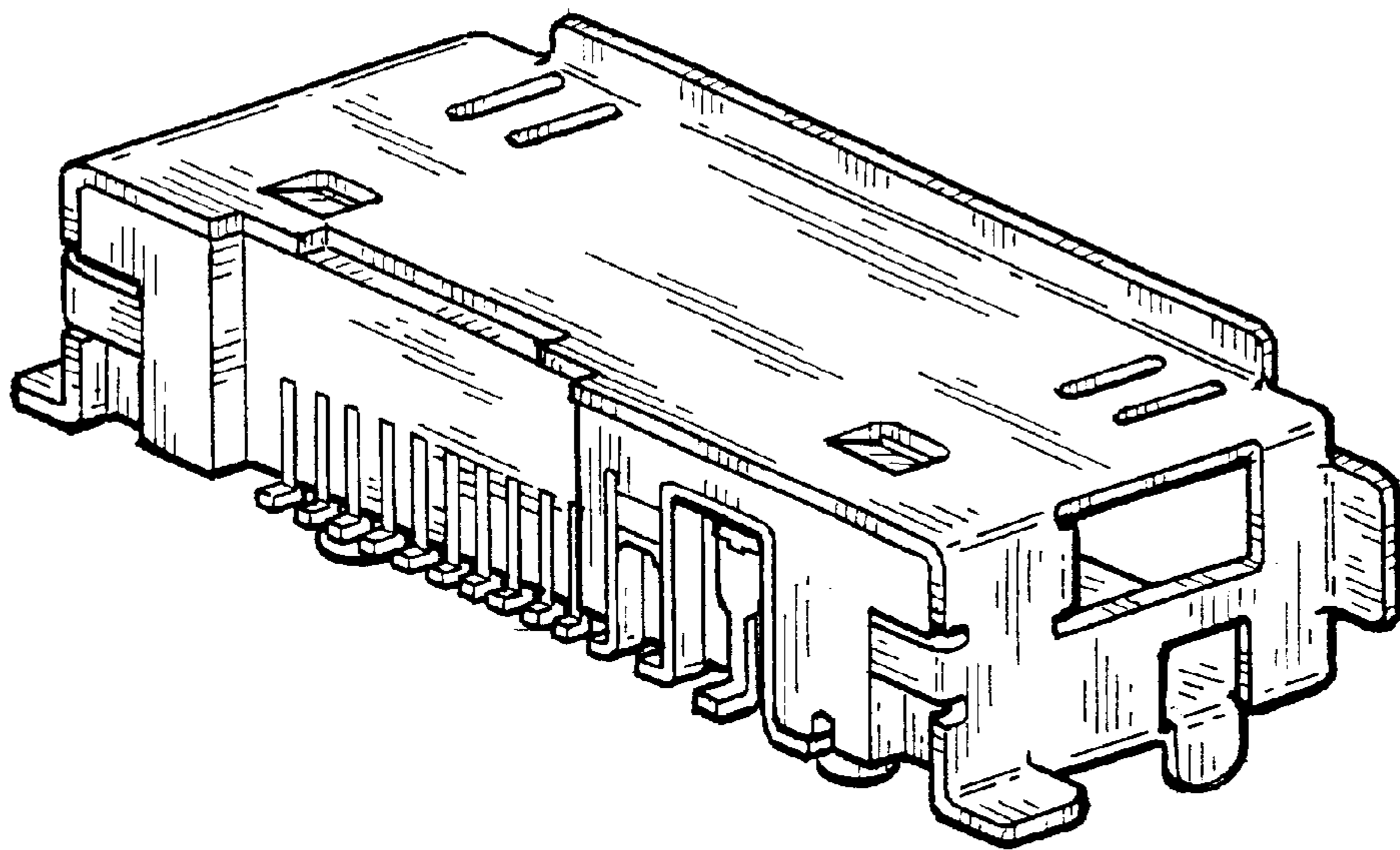


FIG. 7