



US00D476950S

(12) **United States Design Patent**
Peress et al.

(10) **Patent No.:** **US D476,950 S**

(45) **Date of Patent:** **** Jul. 8, 2003**

(54) **HAND PORTABLE BATTERY PACK**

(75) Inventors: **Sass M. Peress**, Montreal (CA); **Po K. Lau**, Montreal (CA)

(73) Assignee: **ICP Global Technologies, Inc.**, Montreal (CA)

(**) Term: **14 Years**

(21) Appl. No.: **29/165,690**

(22) Filed: **Aug. 16, 2002**

(51) **LOC (7) Cl.** **13-02**

(52) **U.S. Cl.** **D13/103**

(58) **Field of Search** D13/103; 429/96-100,
429/159, 163, 176

(56) **References Cited**

U.S. PATENT DOCUMENTS

D339,100 S * 9/1993 Ansell et al. D13/103
5,670,268 A * 9/1997 Mancusi 429/99 X
D445,758 S * 7/2001 Killebrew et al. D13/103

FOREIGN PATENT DOCUMENTS

JP 02024959 * 1/1990 H01M/2/10

* cited by examiner

Primary Examiner—Joel Sincavage

(74) *Attorney, Agent, or Firm*—Rothwell, Figg, Ernst & Manbeck, pc

(57) **CLAIM**

The ornamental design for a hand portable battery pack, as shown and described.

DESCRIPTION

FIG. 1 is a perspective view from above, taken from front right, of the subject design, in an open condition;

FIG. 2 is a like perspective view, with the device in an closed condition;

FIG. 3 is a plan view of the top of the device, in a closed condition;

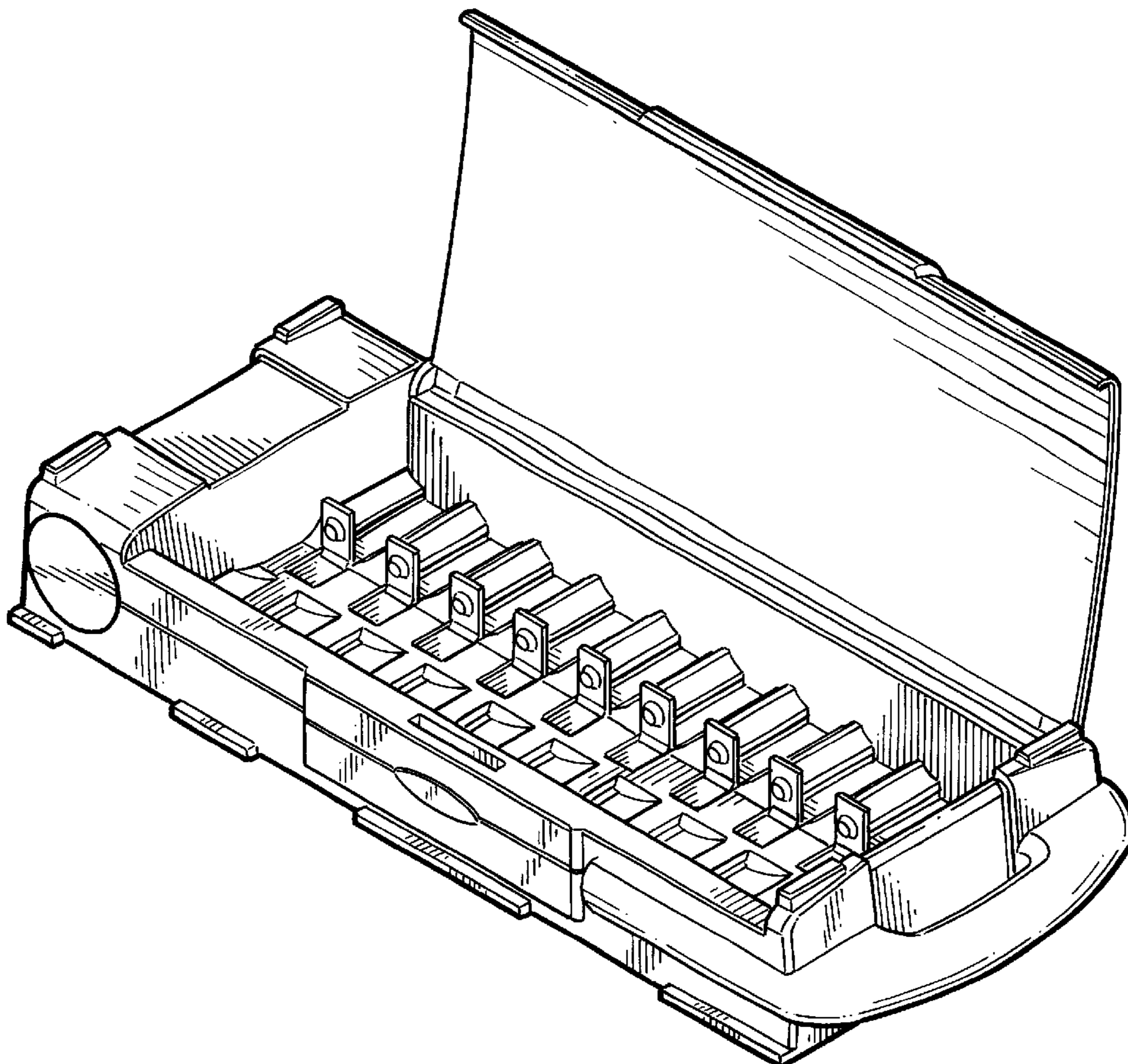
FIG. 4 is an elevational view of the front of the device, in a closed condition;

FIG. 5 is an elevational view of the right side of the device, in a closed condition;

FIG. 6 is an elevational view of the left side of the device, in a closed condition; and,

FIG. 7 is a plan view of the bottom of the device, in a closed condition.

1 Claim, 4 Drawing Sheets



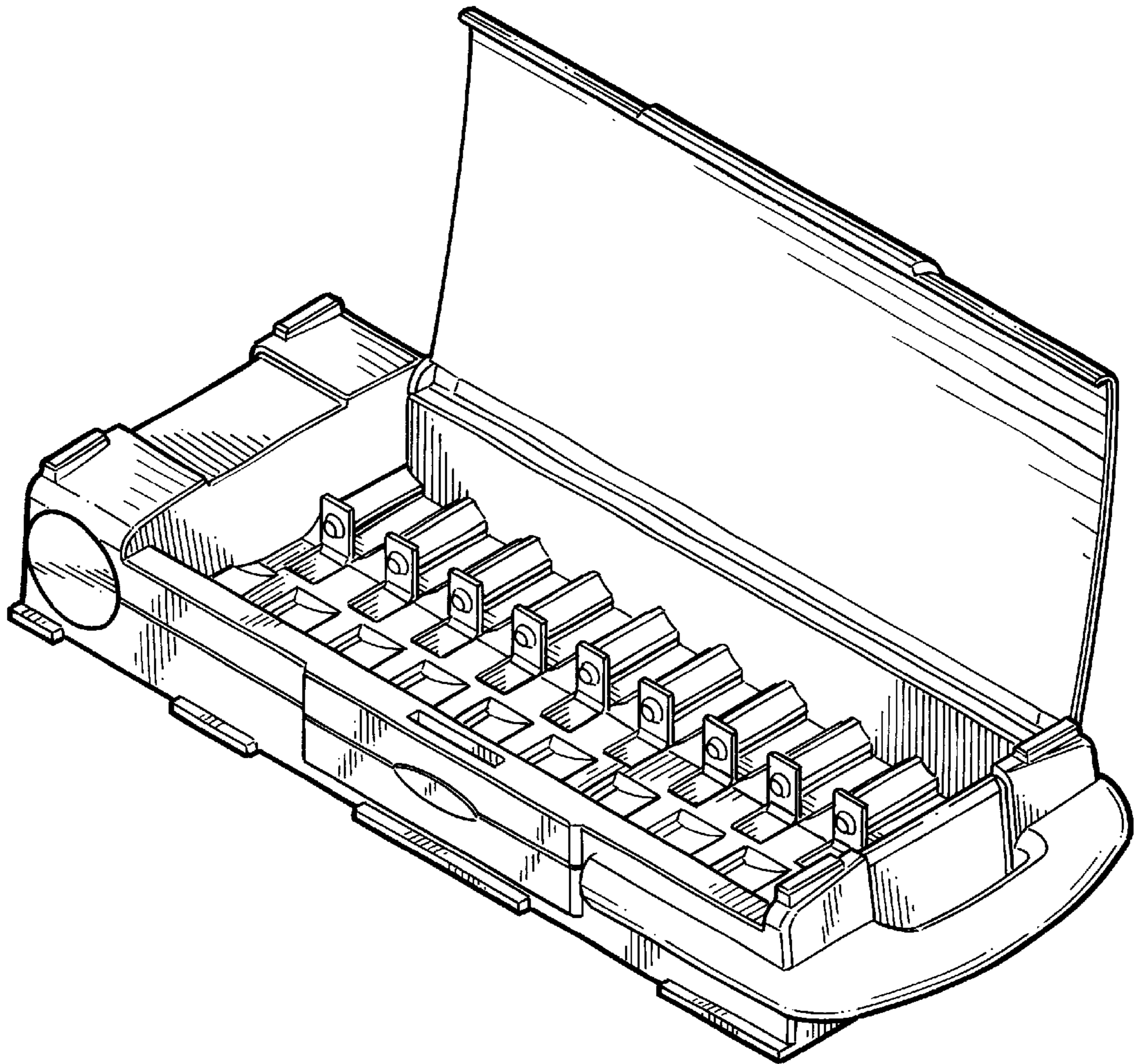


FIG. 1

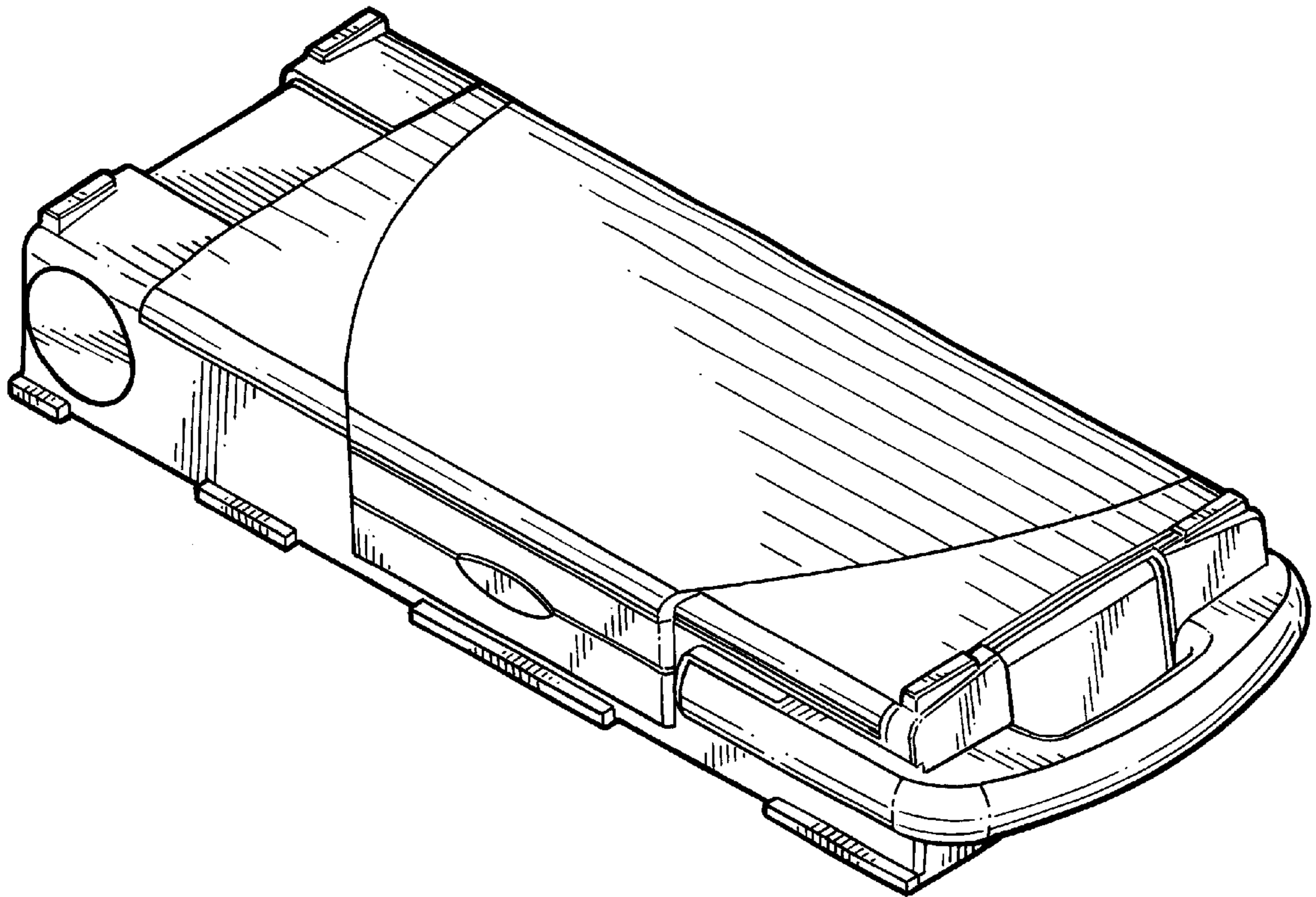


FIG. 2

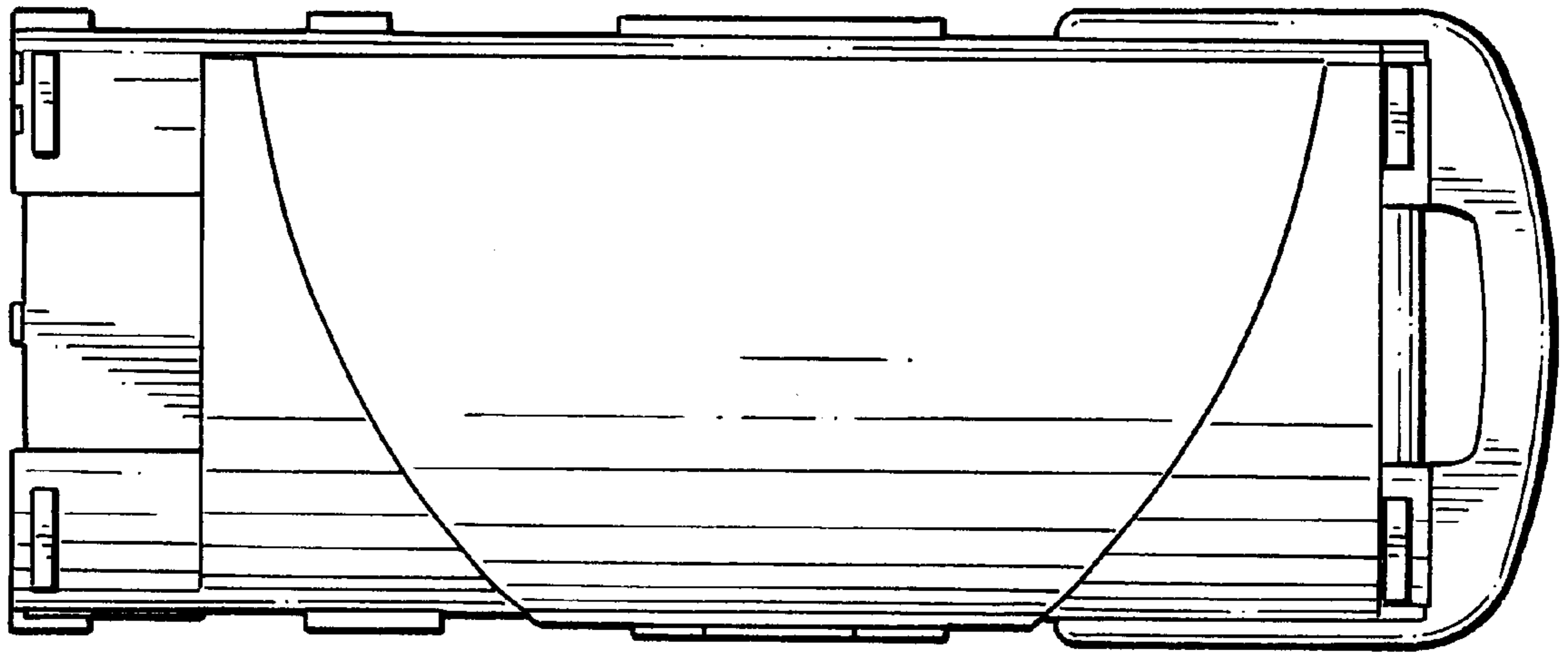


FIG. 3

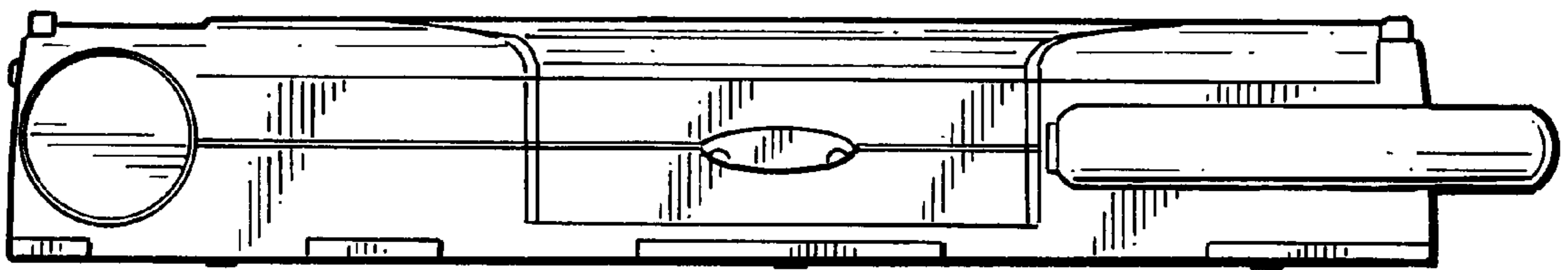


FIG. 4

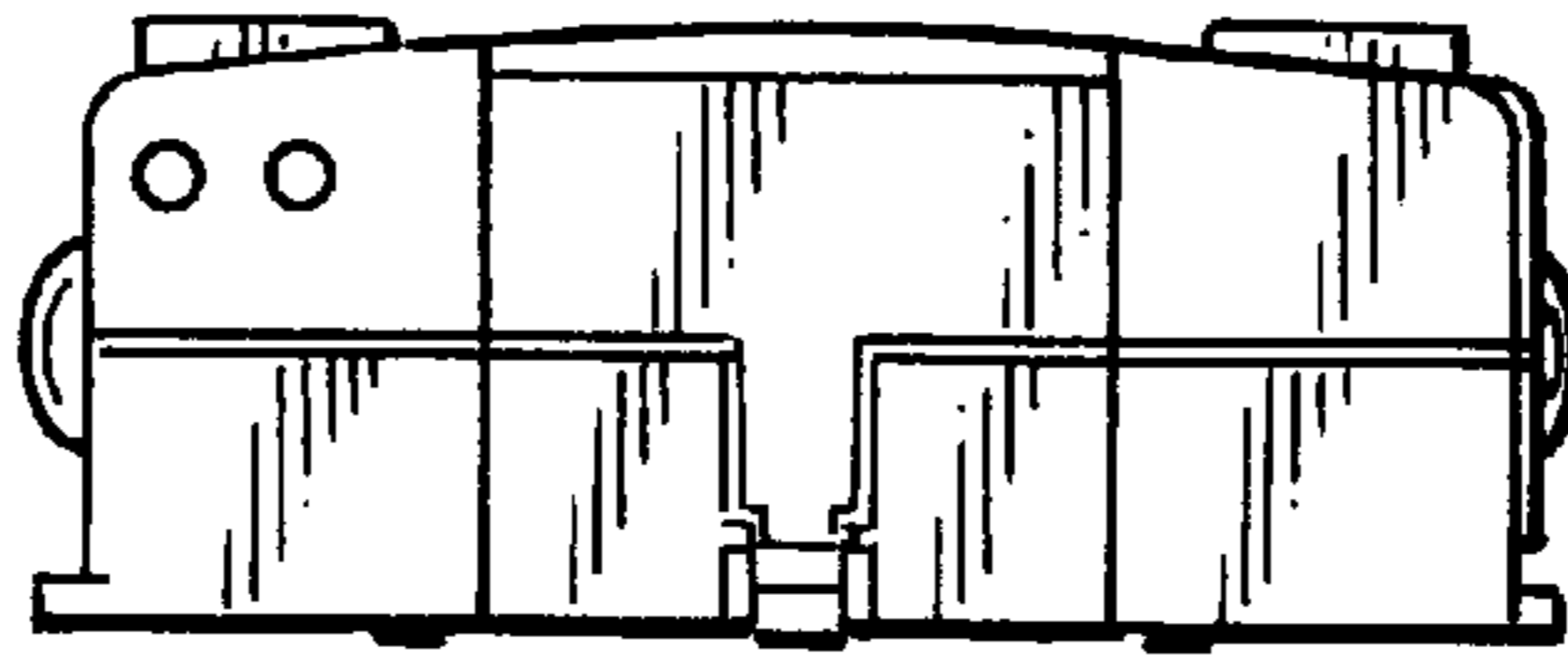


FIG. 5

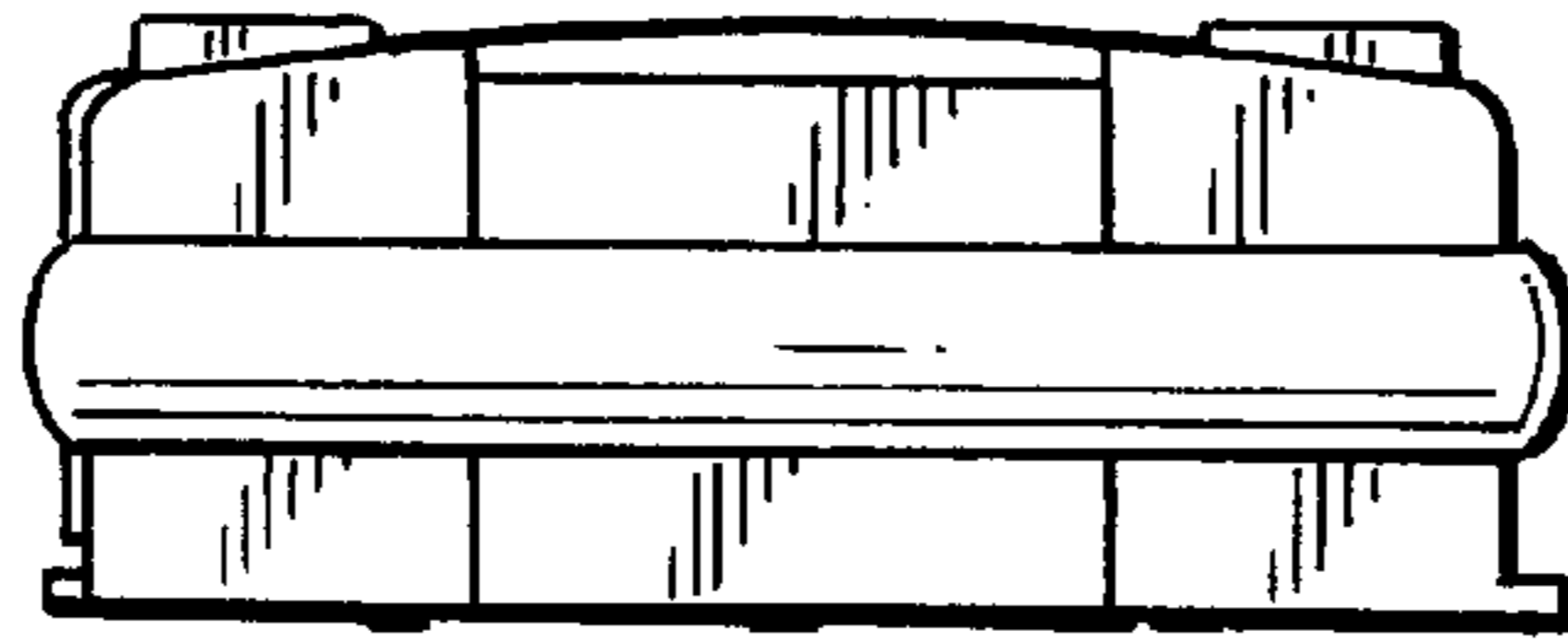


FIG. 6

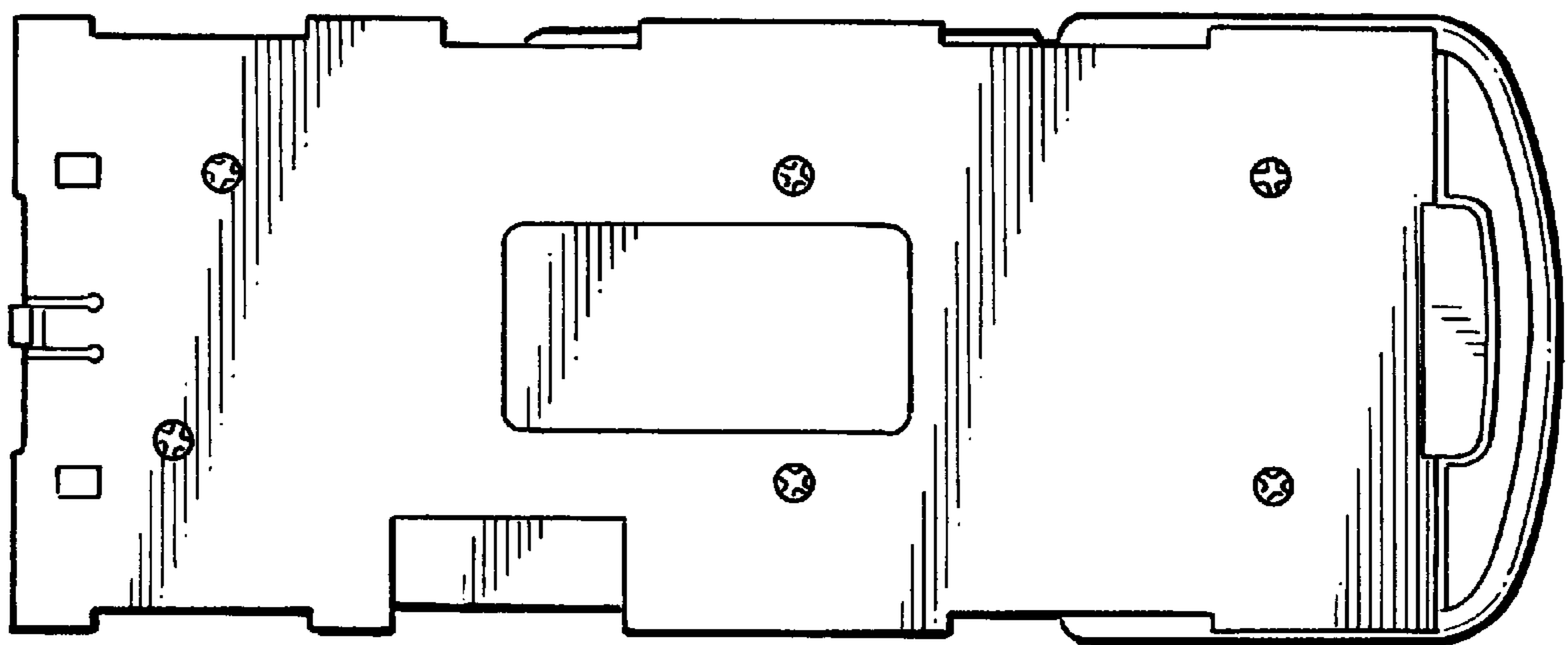


FIG. 7