



US00D476947S

(12) **United States Design Patent**
Kasahara et al.

(10) **Patent No.: US D476,947 S**

(45) **Date of Patent: ** *Jul. 8, 2003**

(54) **BATTERY**

(75) Inventors: **Hideki Kasahara**, Kanagawa (JP);
Masumi Katsumoto, Kanagawa (JP);
Masaharu Miyahisa, Kanagawa (JP);
Yoshihiro Boki, Kanagawa (JP)

(73) Assignee: **Matsushita Electric Industrial Co., Ltd.**, Osaka (JP)

(*) Notice: This patent is subject to a terminal disclaimer.

(**) Term: **14 Years**

(21) Appl. No.: **29/145,954**

(22) Filed: **Jul. 31, 2001**

(51) **LOC (7) Cl.** **13-02**

(52) **U.S. Cl.** **D13/103**

(58) **Field of Search** D13/103; 429/96-100,
429/159, 163, 176, 133, 161, 164-170,
175, 178, 181, 208, 209

(56) **References Cited**

U.S. PATENT DOCUMENTS

494,852 A * 4/1893 Fitch 429/165

(List continued on next page.)

FOREIGN PATENT DOCUMENTS

JP 850073 10/1992
JP 850073 2/1995

Primary Examiner—Joel Sincavage

(74) *Attorney, Agent, or Firm*—Christensen O'Connor Johnson Kindness PLLC

(57) **CLAIM**

The ornamental design for a battery, as shown and described.

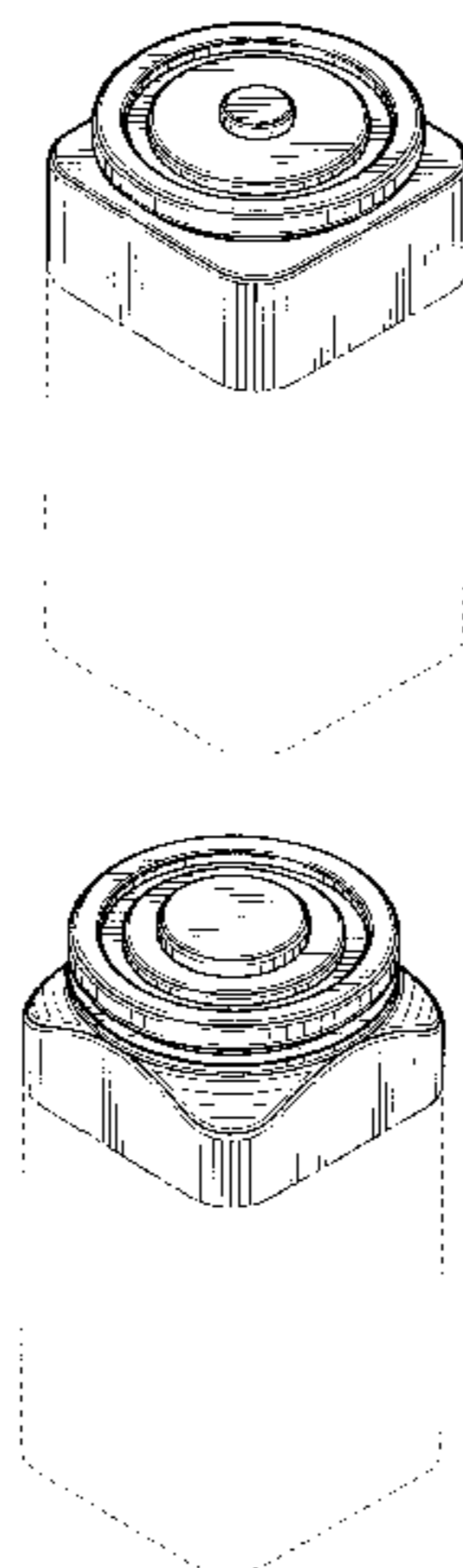
DESCRIPTION

FIG. 1 is a perspective view of the top and front of a battery showing our new design;
FIG. 2 is a front view thereof, a rear view is being identical thereto;
FIG. 3 is a left side view thereof;
FIG. 4 is a right side view thereof;

FIG. 5 is a top plan view thereof;
FIG. 6 is a bottom view thereof;
FIG. 7 is a perspective view of the top and front of a battery showing our new design of second embodiment;
FIG. 8 is a front view thereof, a rear view is being identical thereto;
FIG. 9 is a left side view thereof;
FIG. 10 is a right side view thereof;
FIG. 11 is a top plan view thereof;
FIG. 12 is a bottom view thereof;
FIG. 13 is a perspective view of the top and front of a battery showing our new design of third embodiment;
FIG. 14 is a front view thereof, a rear view is being identical thereto;
FIG. 15 is a left side view thereof;
FIG. 16 is a right side view thereof;
FIG. 17 is a top plan view thereof;
FIG. 18 is a bottom view thereof;
FIG. 19 is a perspective view of the top and front of a battery showing our new design of fourth embodiment;
FIG. 20 is a front view thereof, a rear view is being identical thereto;
FIG. 21 is a left side view thereof;
FIG. 22 is a right side view thereof;
FIG. 23 is a top plan view thereof;
FIG. 24 is a bottom view thereof;
FIG. 25 is a perspective view of the top and front of a battery showing our new design of fifth embodiment;
FIG. 26 is a front view thereof, a rear view is being identical thereto;
FIG. 27 is a left side view thereof;
FIG. 28 is a right side view thereof;
FIG. 29 is a top plan view thereof;
FIG. 30 is a bottom view thereof;
FIG. 31 is a perspective view of the top and front of a battery showing our new design of sixth embodiment;
FIG. 32 is a front view thereof, a rear view is being identical thereto;
FIG. 33 is a left side view thereof;
FIG. 34 is a right side view thereof;
FIG. 35 is a top plan view thereof; and,
FIG. 36 is a bottom view thereof.

The broken lines throughout the drawing figures are included for the purpose of illustrating portions of the battery that form no part of the claimed design.

1 Claim, 6 Drawing Sheets



US D476,947 S

Page 2

U.S. PATENT DOCUMENTS

520,033 A *	5/1894	Burnham	429/175	5,747,192 A *	5/1998	Hughen et al.	429/163
4,005,246 A *	1/1977	Schiffer et al.	429/94	D413,858 S *	9/1999	Murakami et al.	D13/103
4,861,685 A *	8/1989	Tien et al.	429/7	6,248,472 B1 *	6/2001	Kelemen	429/163
5,418,087 A *	5/1995	Klein	429/164 X	D455,711 S *	4/2002	Fuhr et al.	D13/103
5,677,080 A *	10/1997	Chen	429/167					

* cited by examiner

FIG. 1

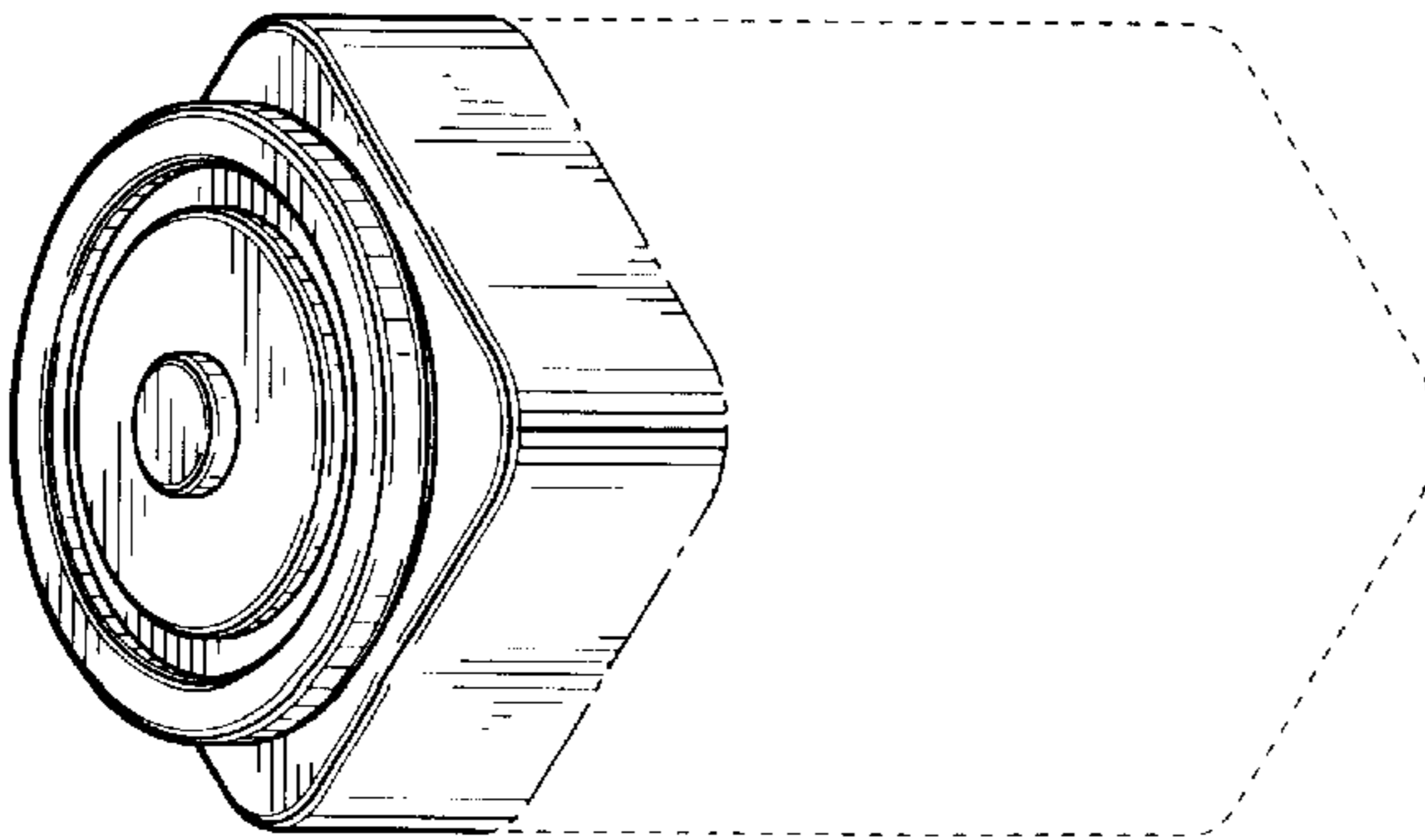


FIG. 2

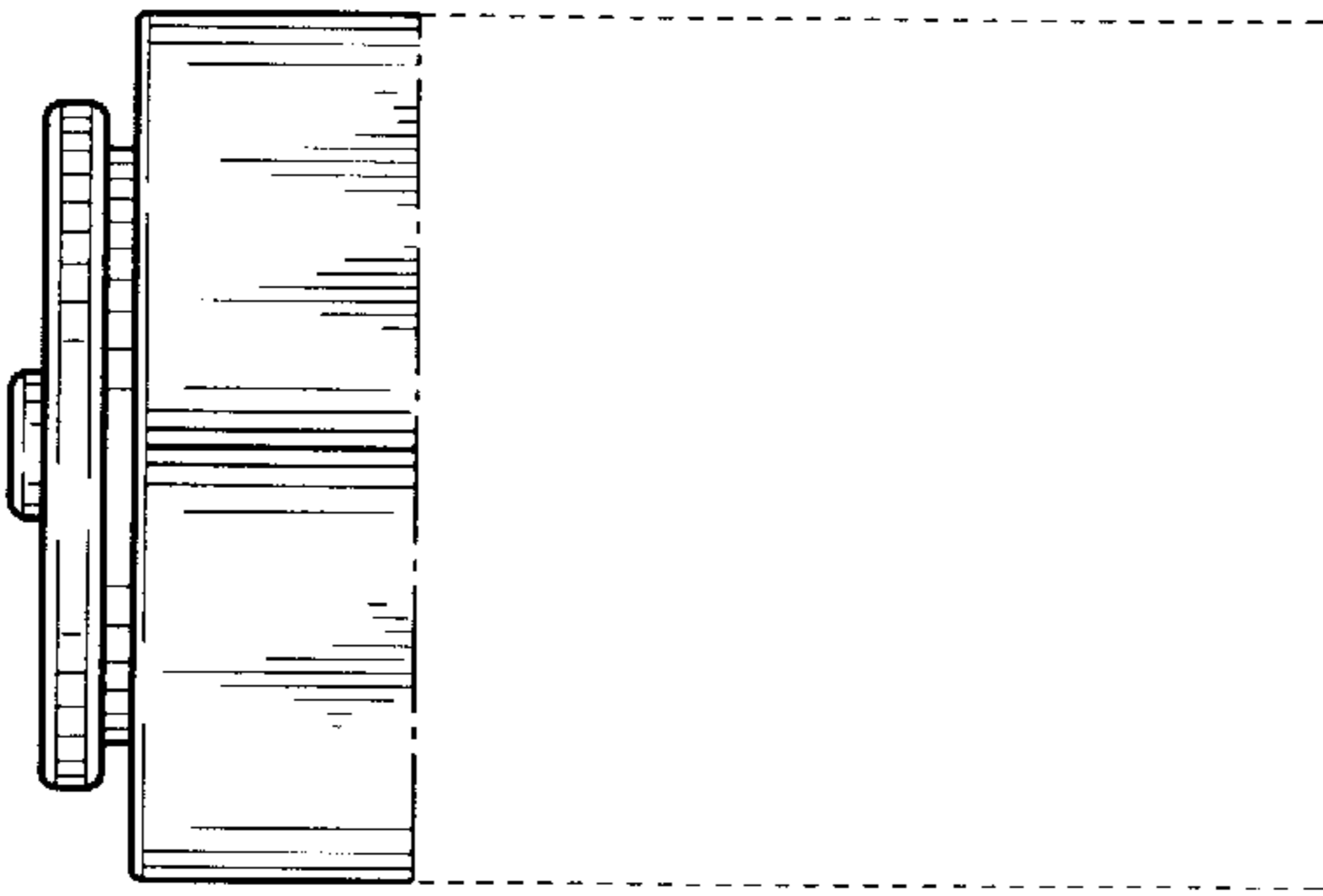


FIG. 3

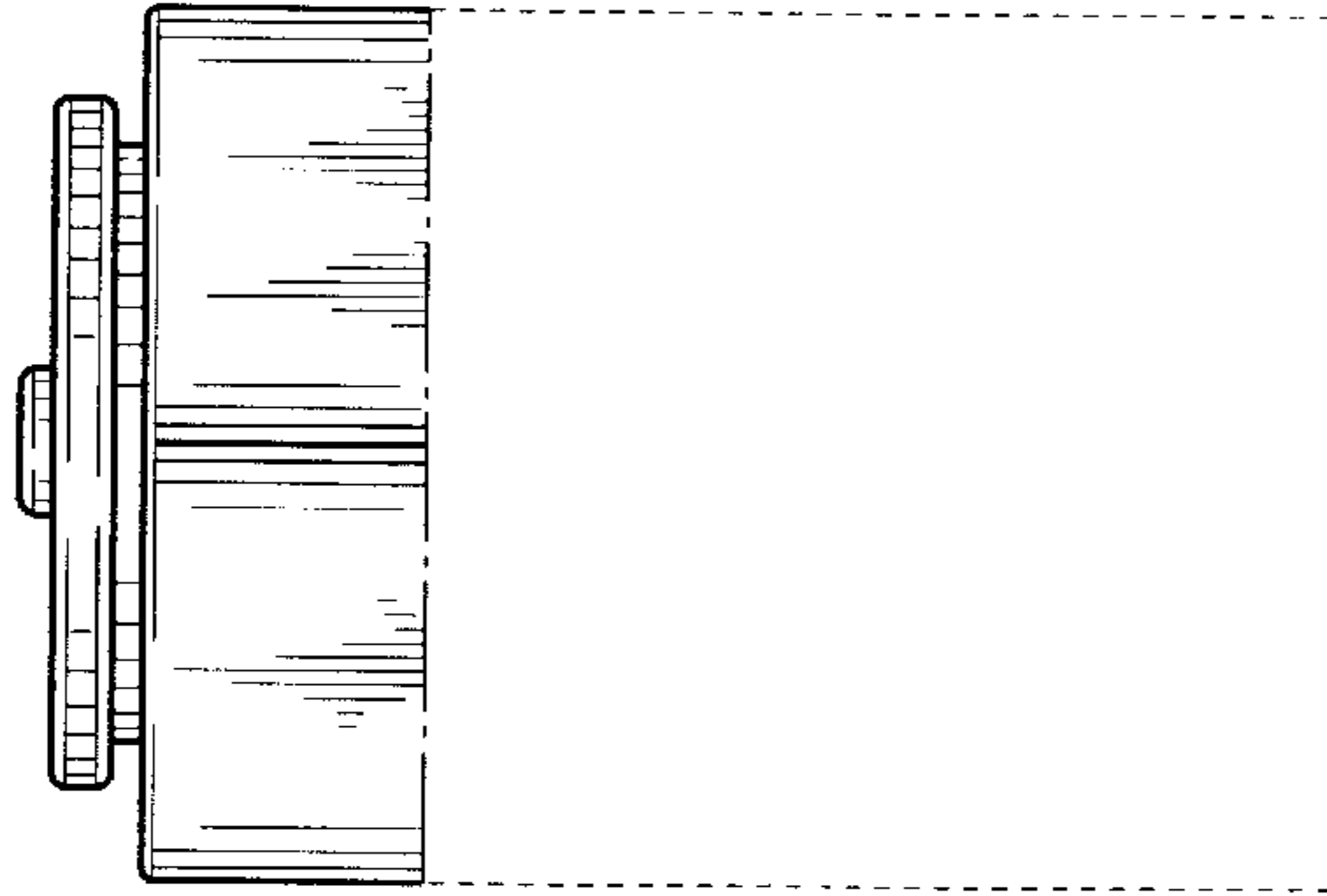


FIG. 4

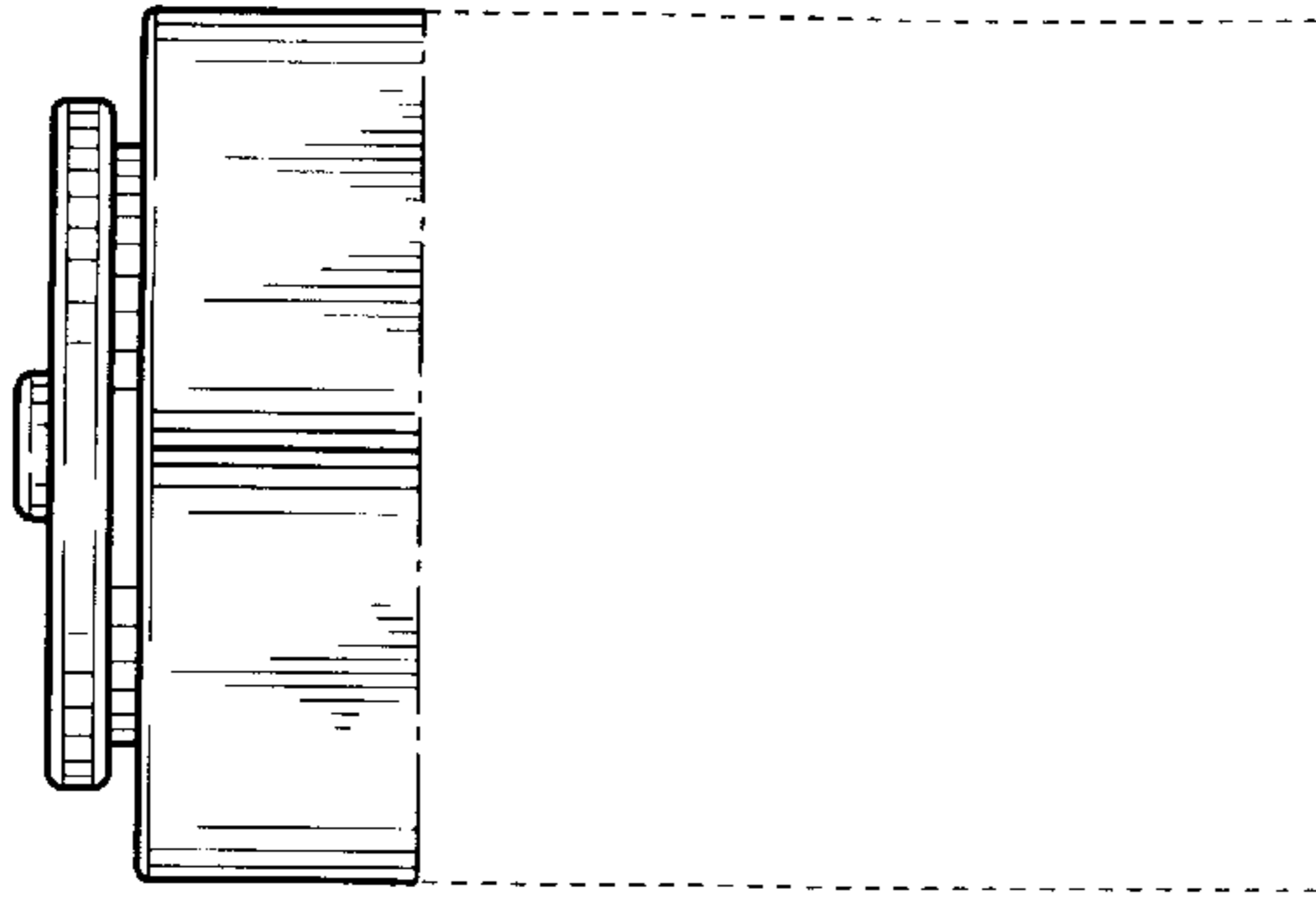


FIG. 5

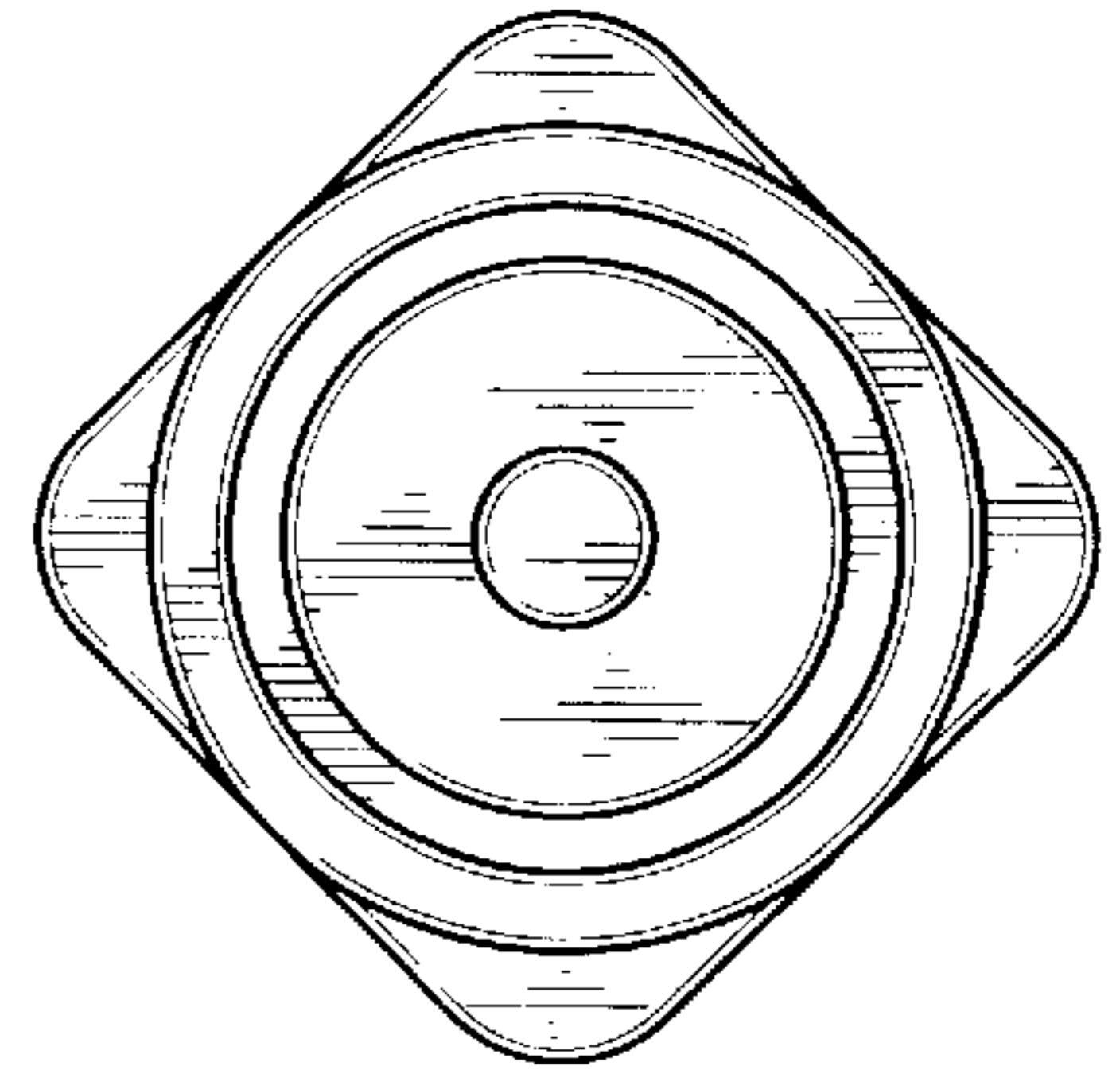


FIG. 6

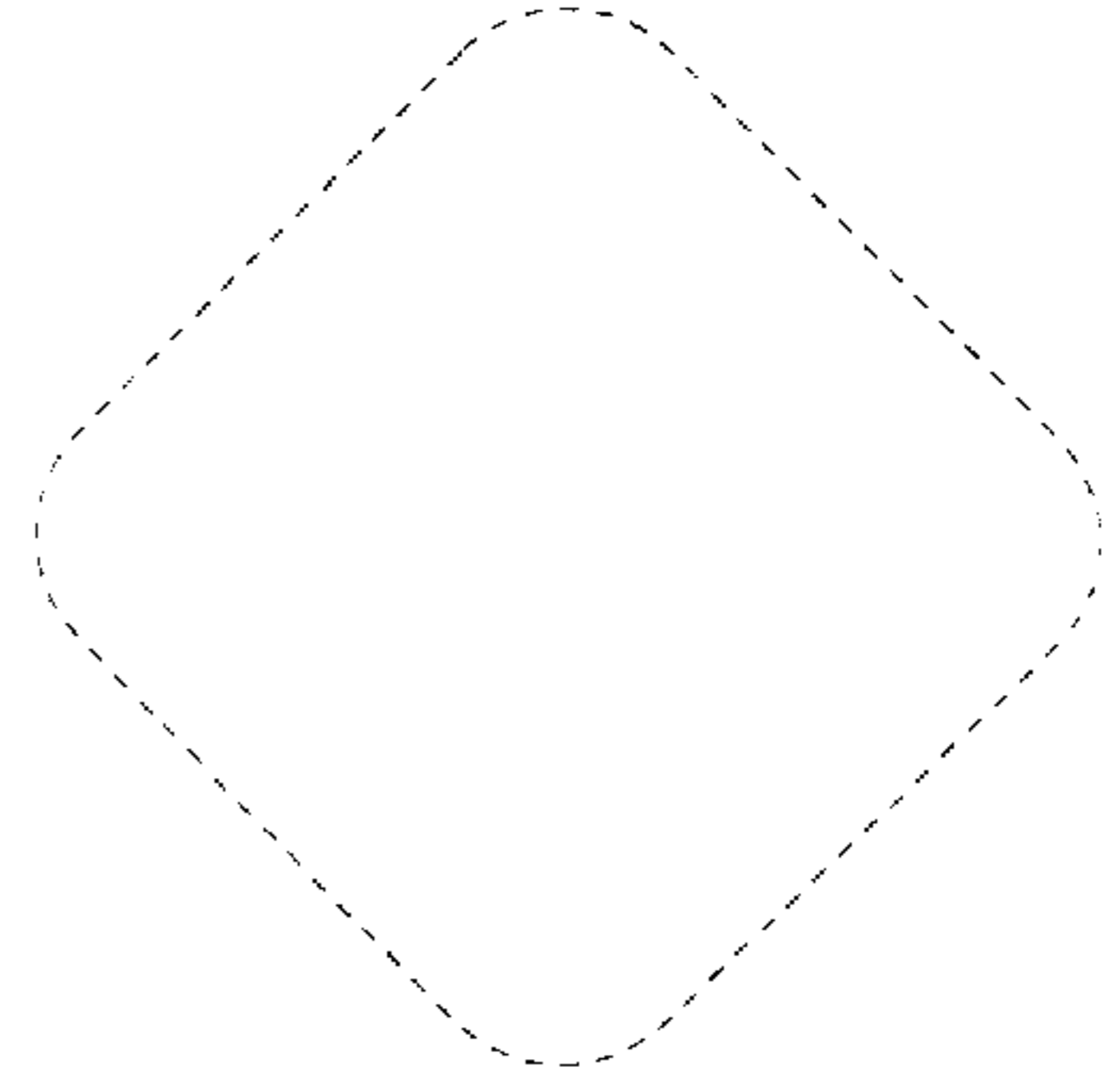


FIG. 7

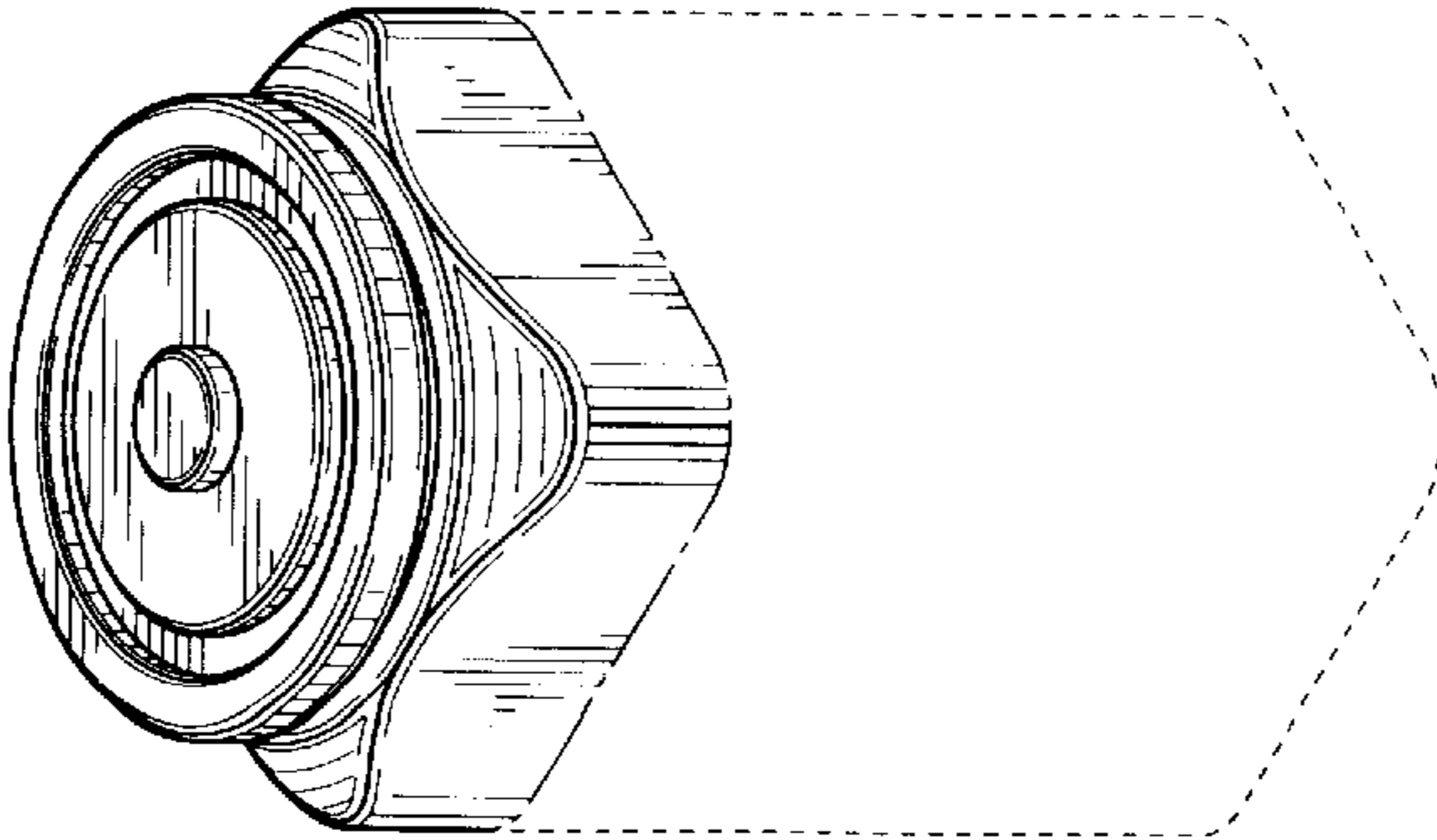


FIG. 8

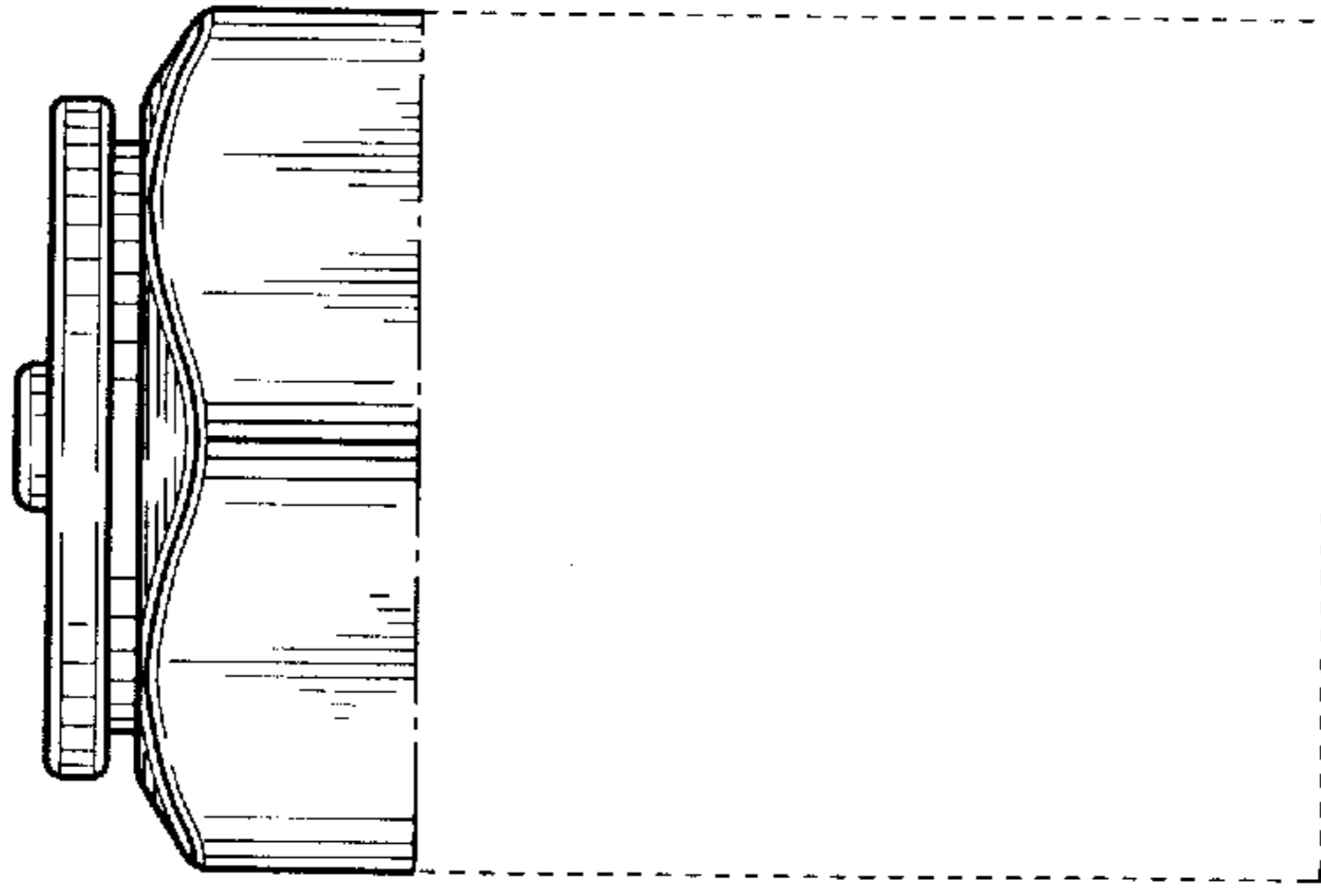


FIG. 9

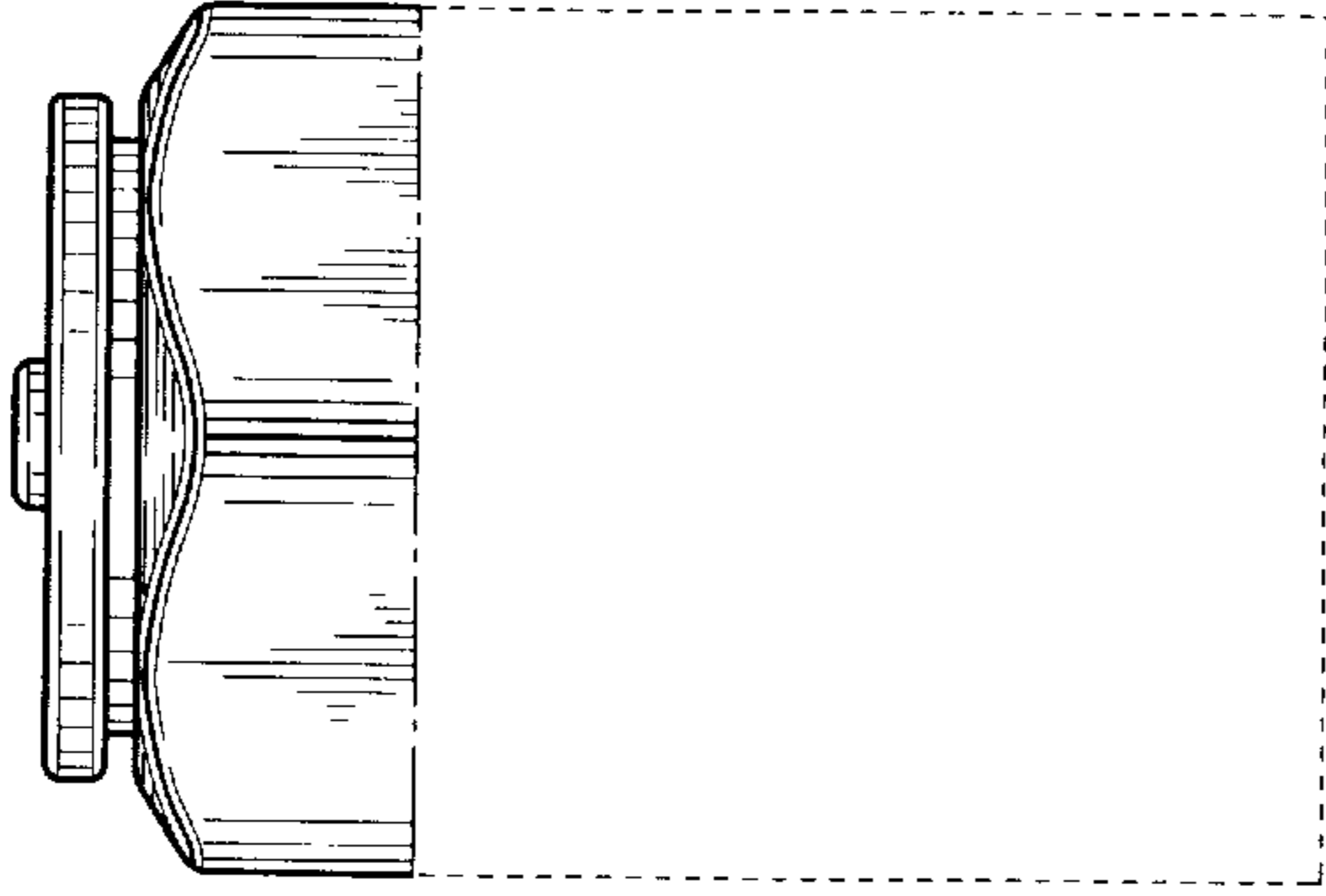


FIG. 10

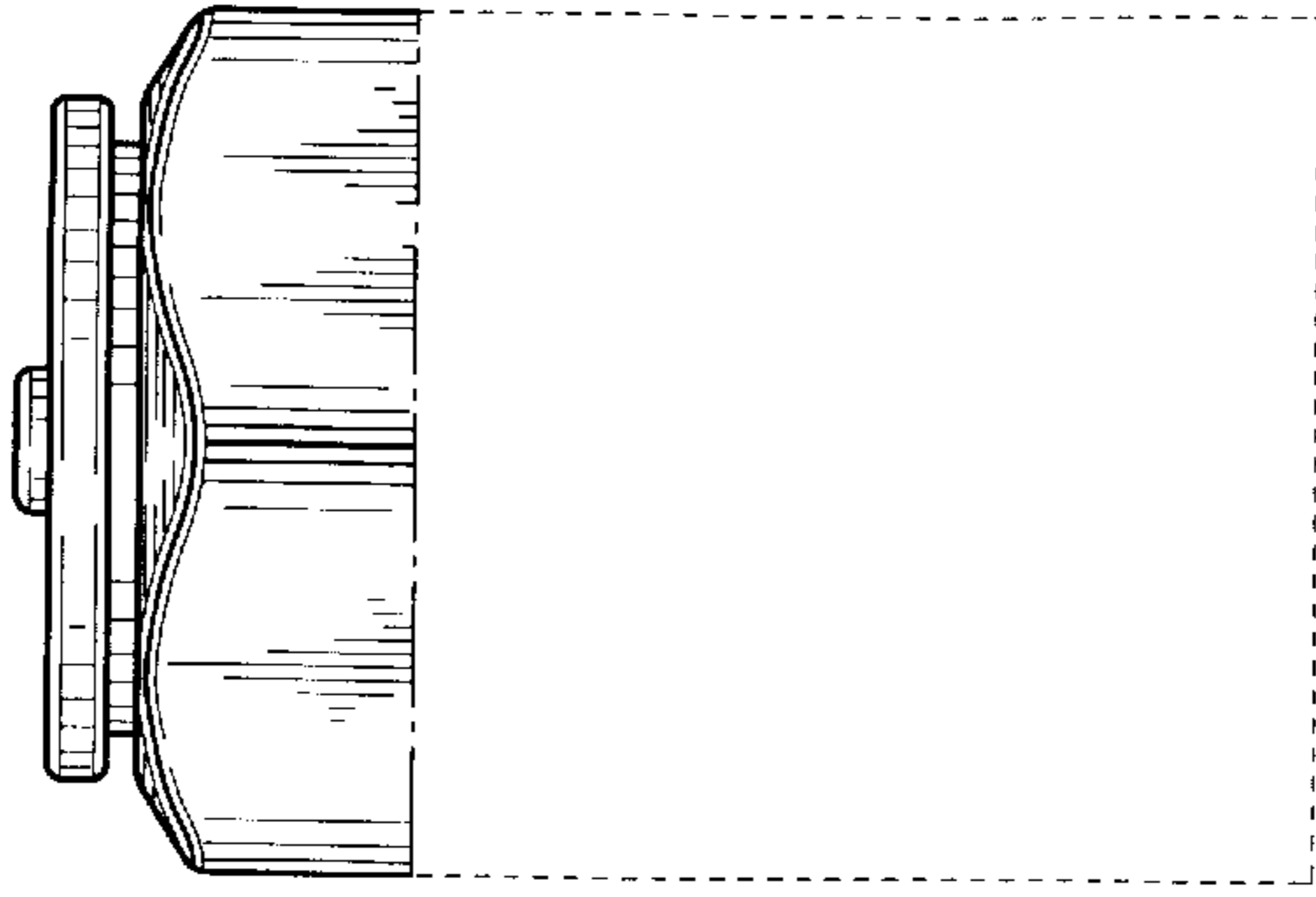


FIG. 11

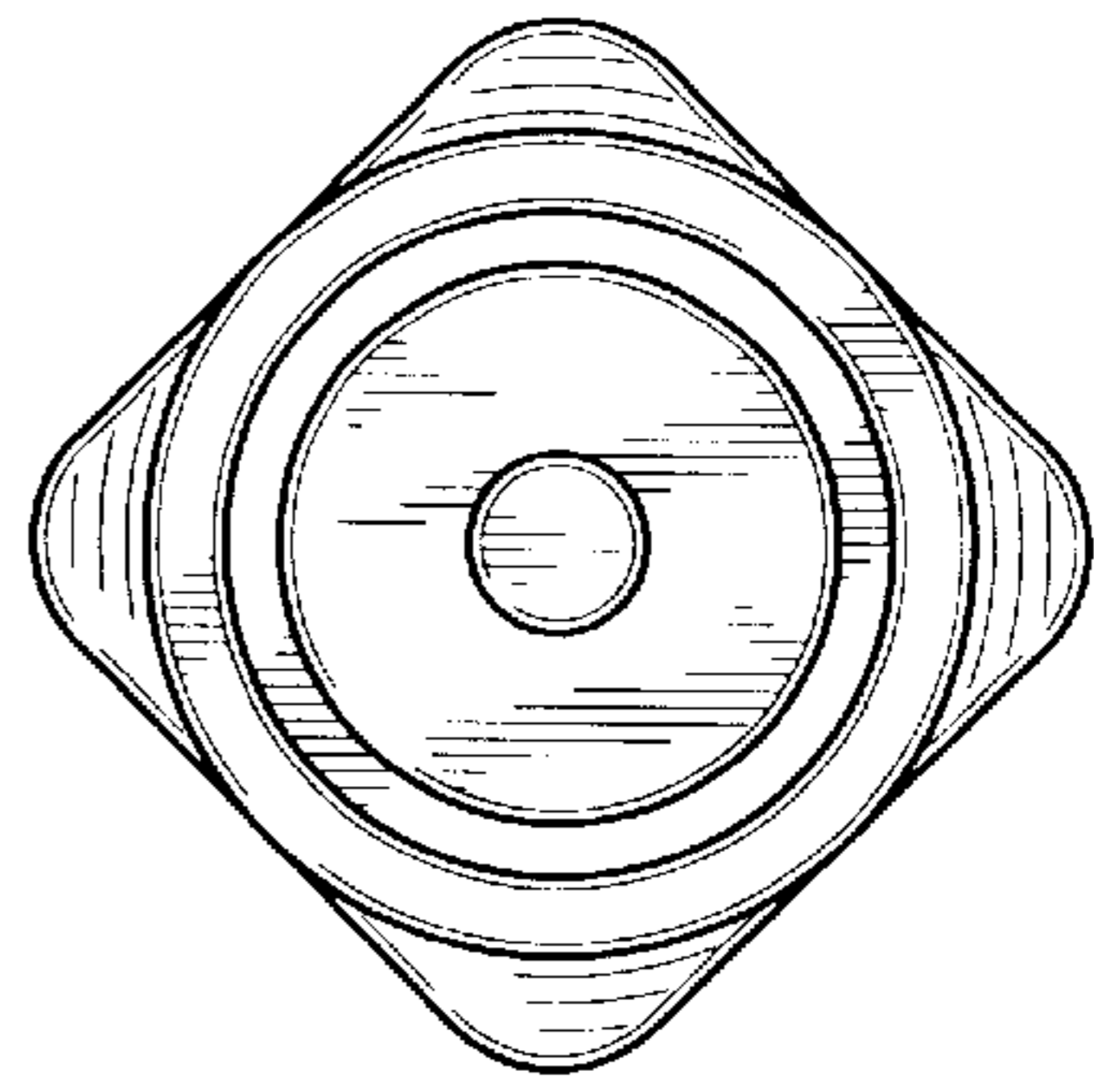


FIG. 12

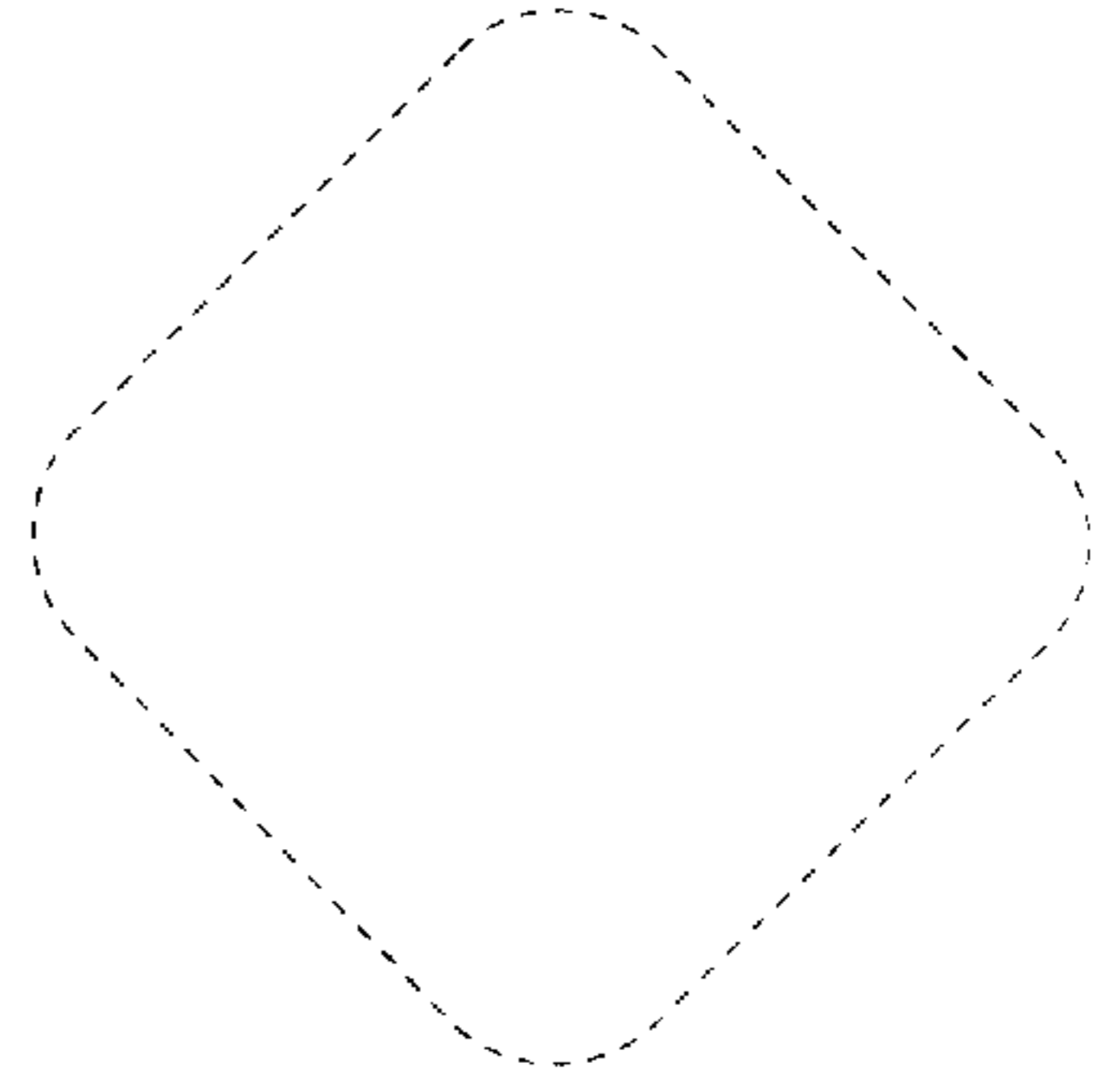


FIG. 13

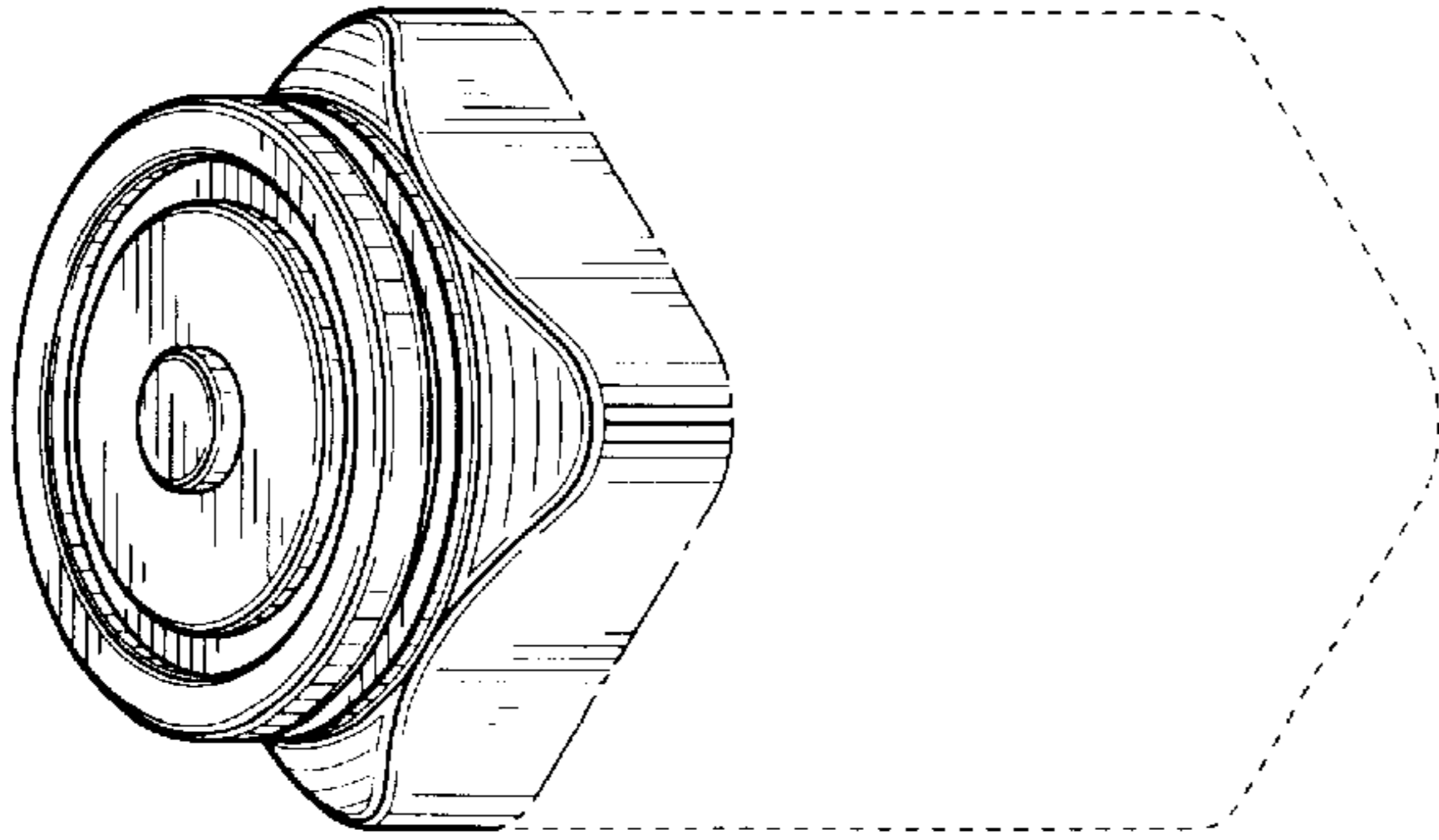


FIG. 14

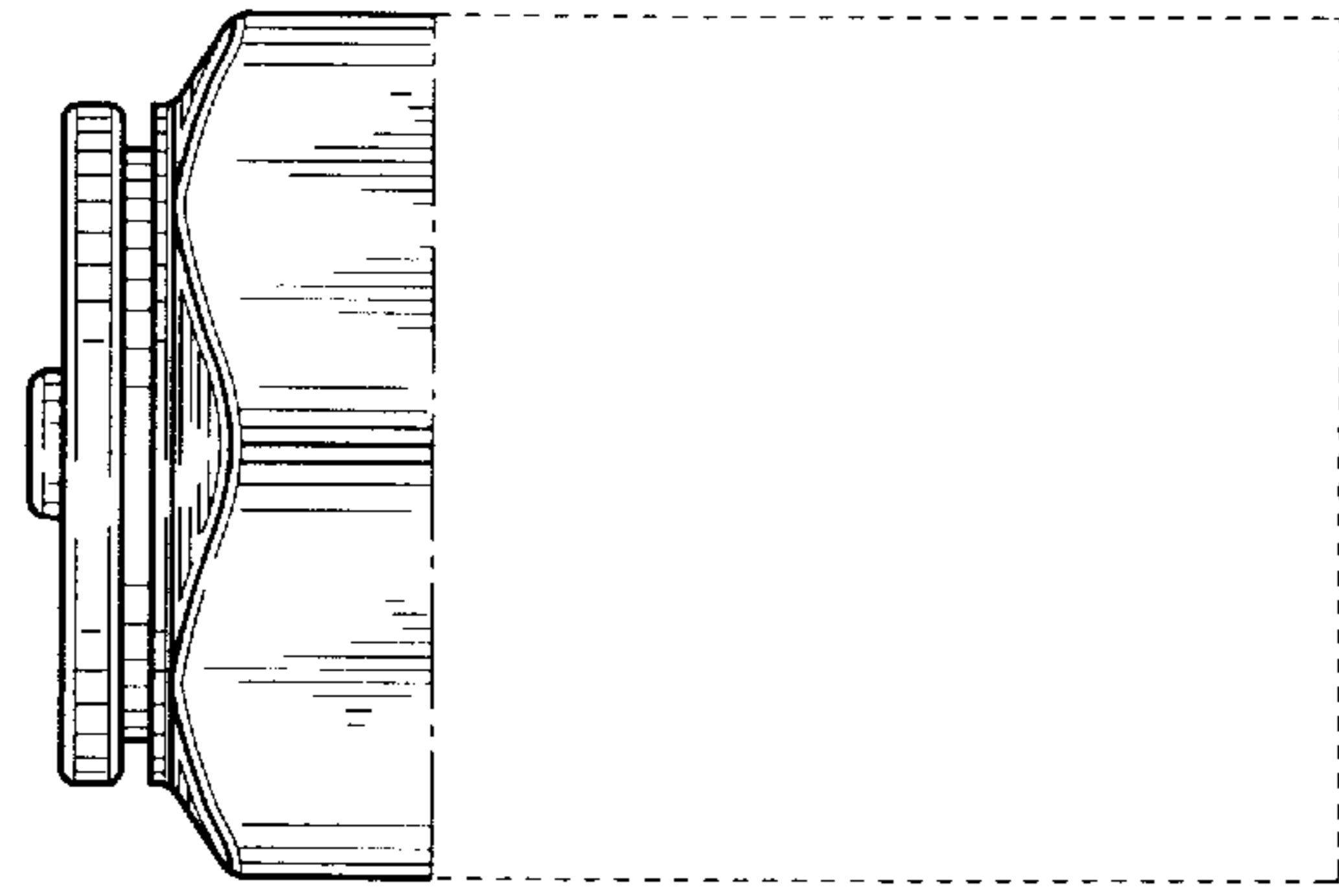


FIG. 15

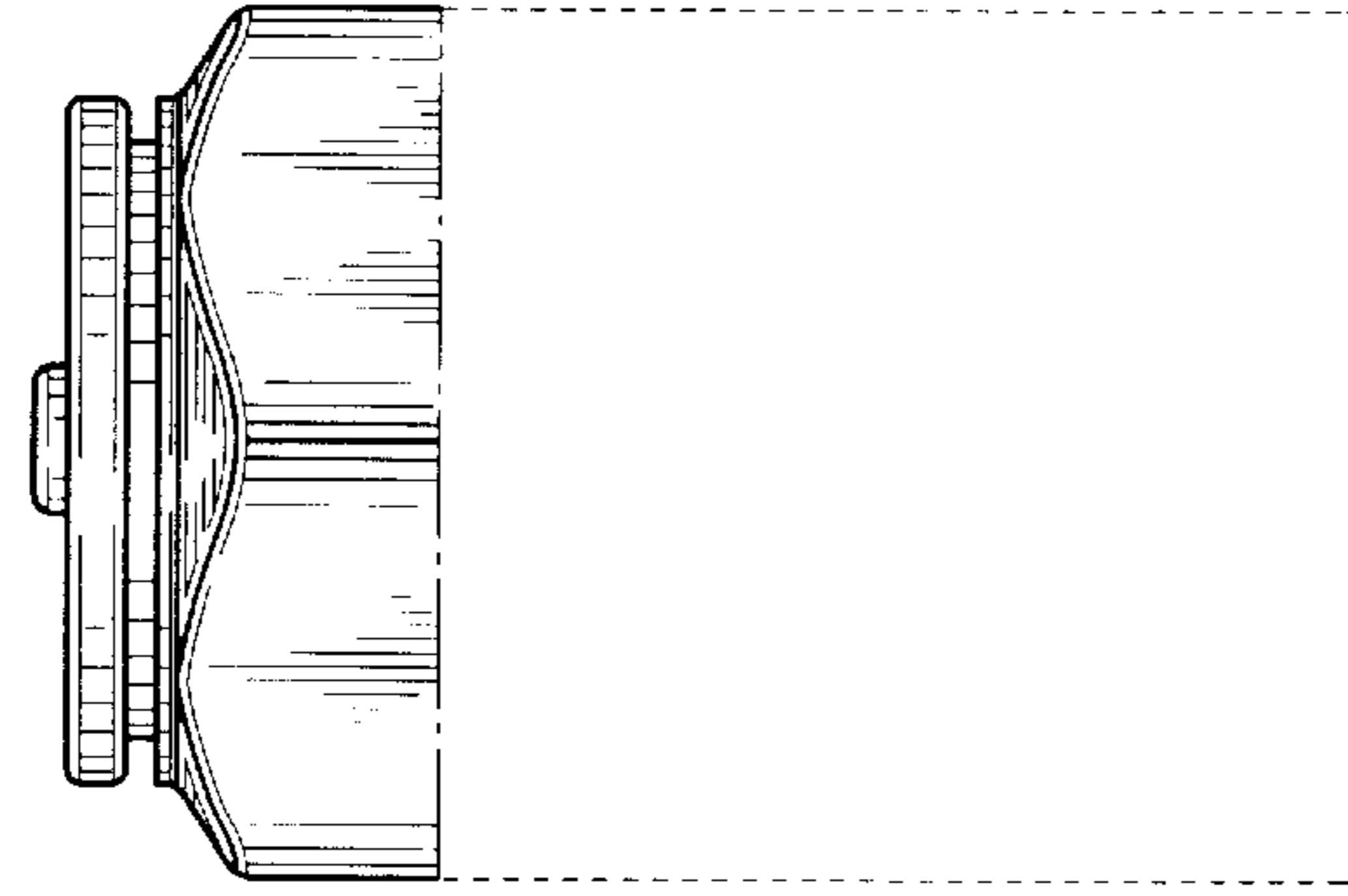


FIG. 16

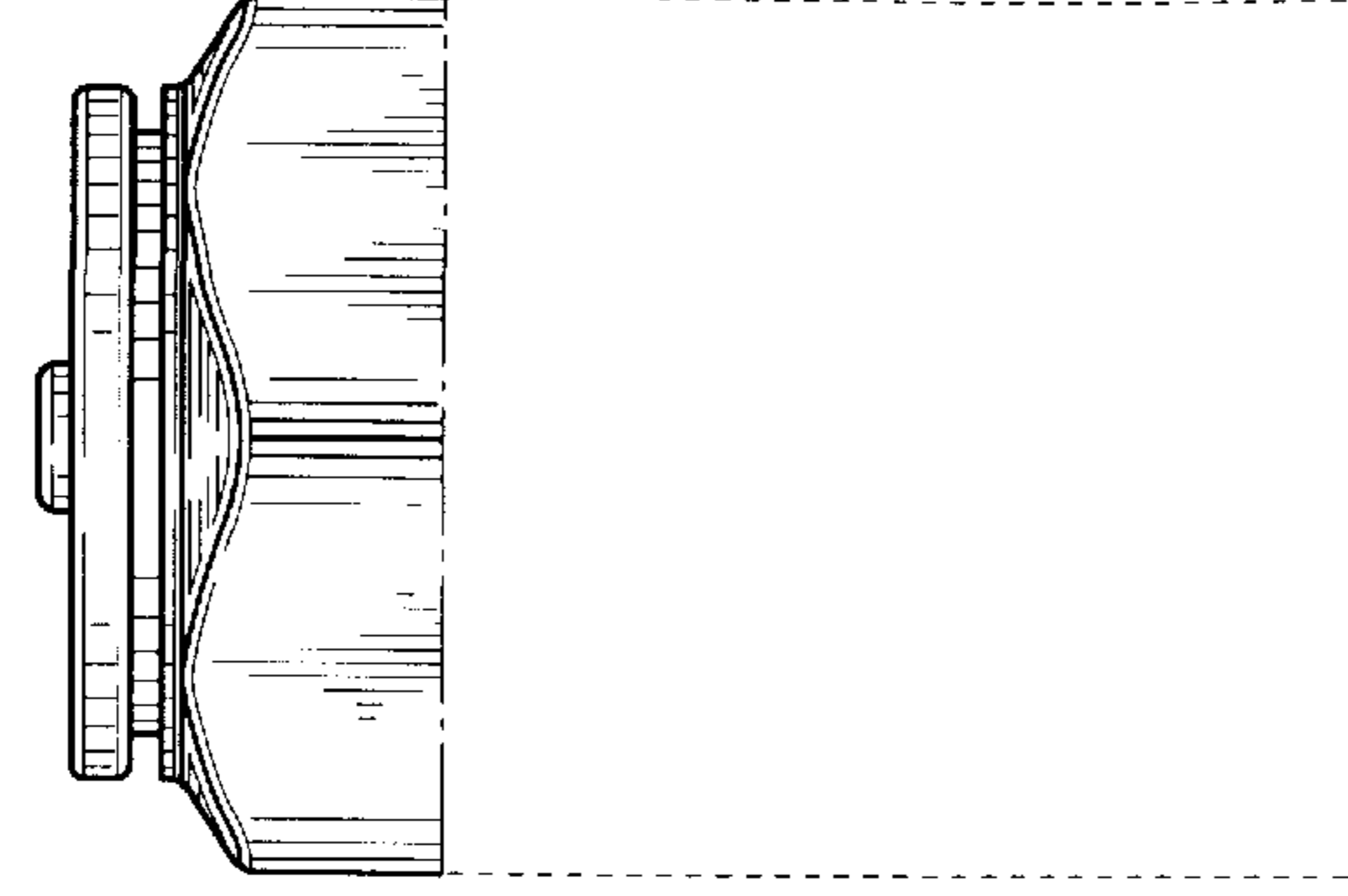


FIG. 17

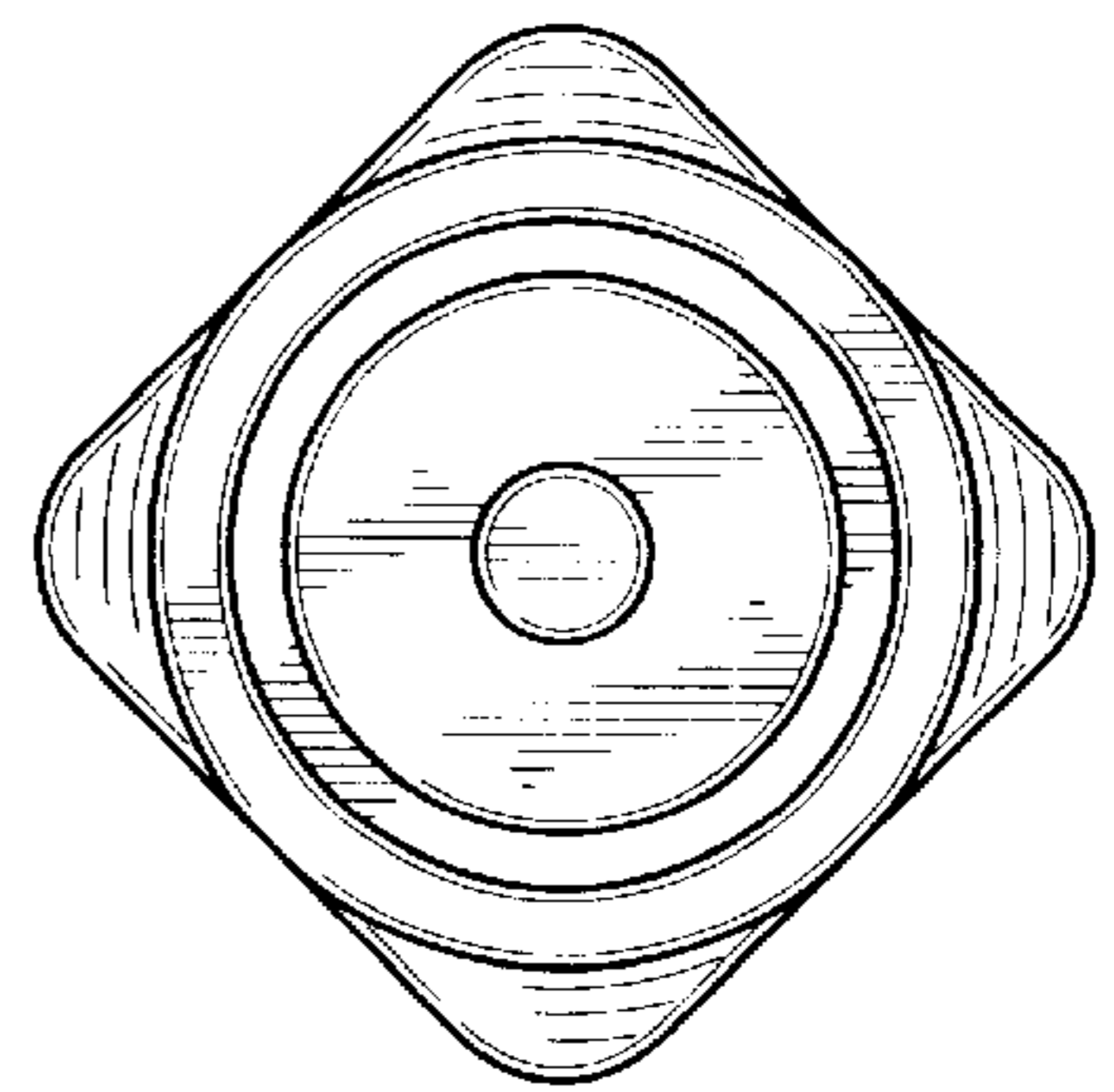


FIG. 18

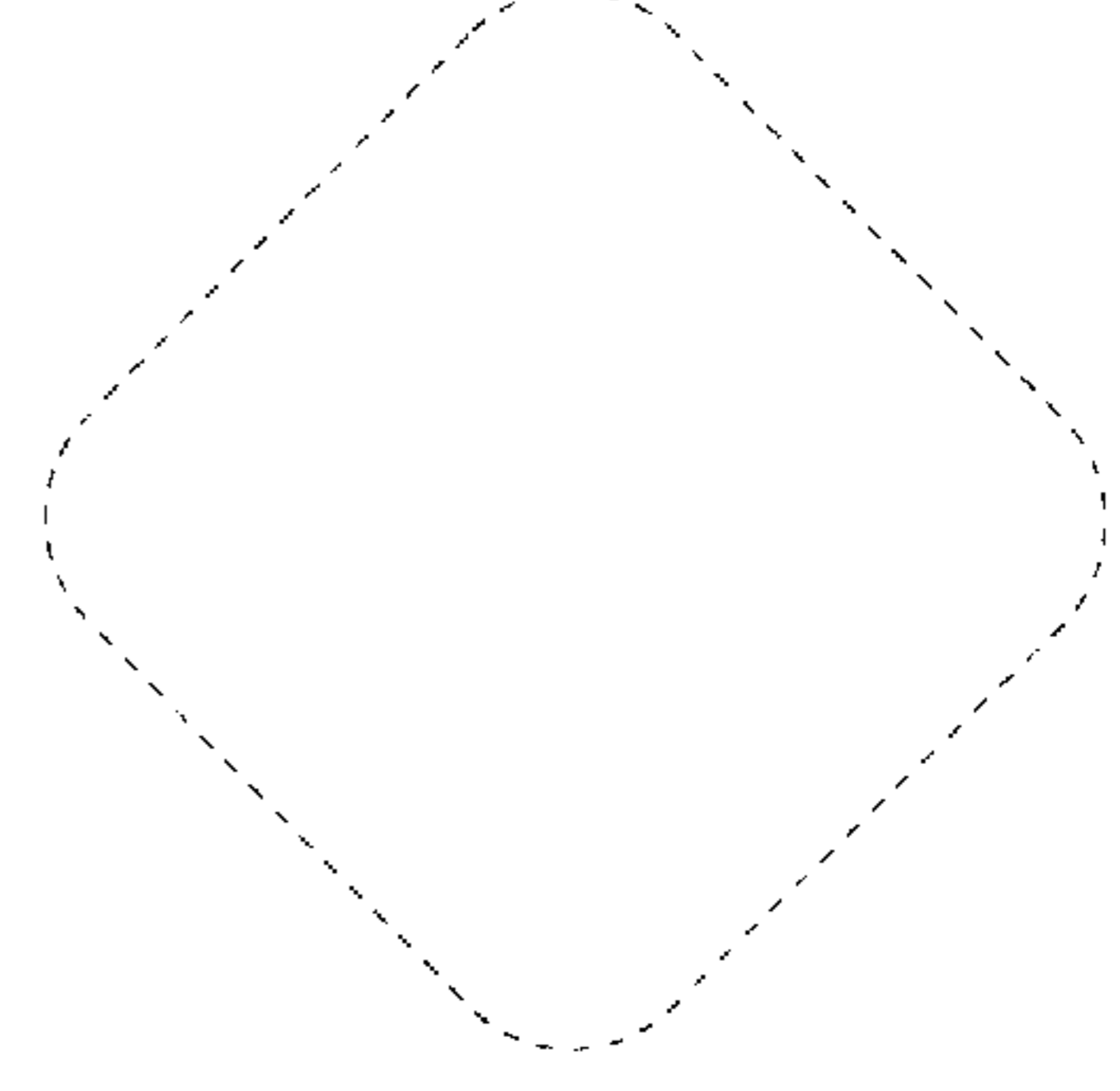


FIG. 19

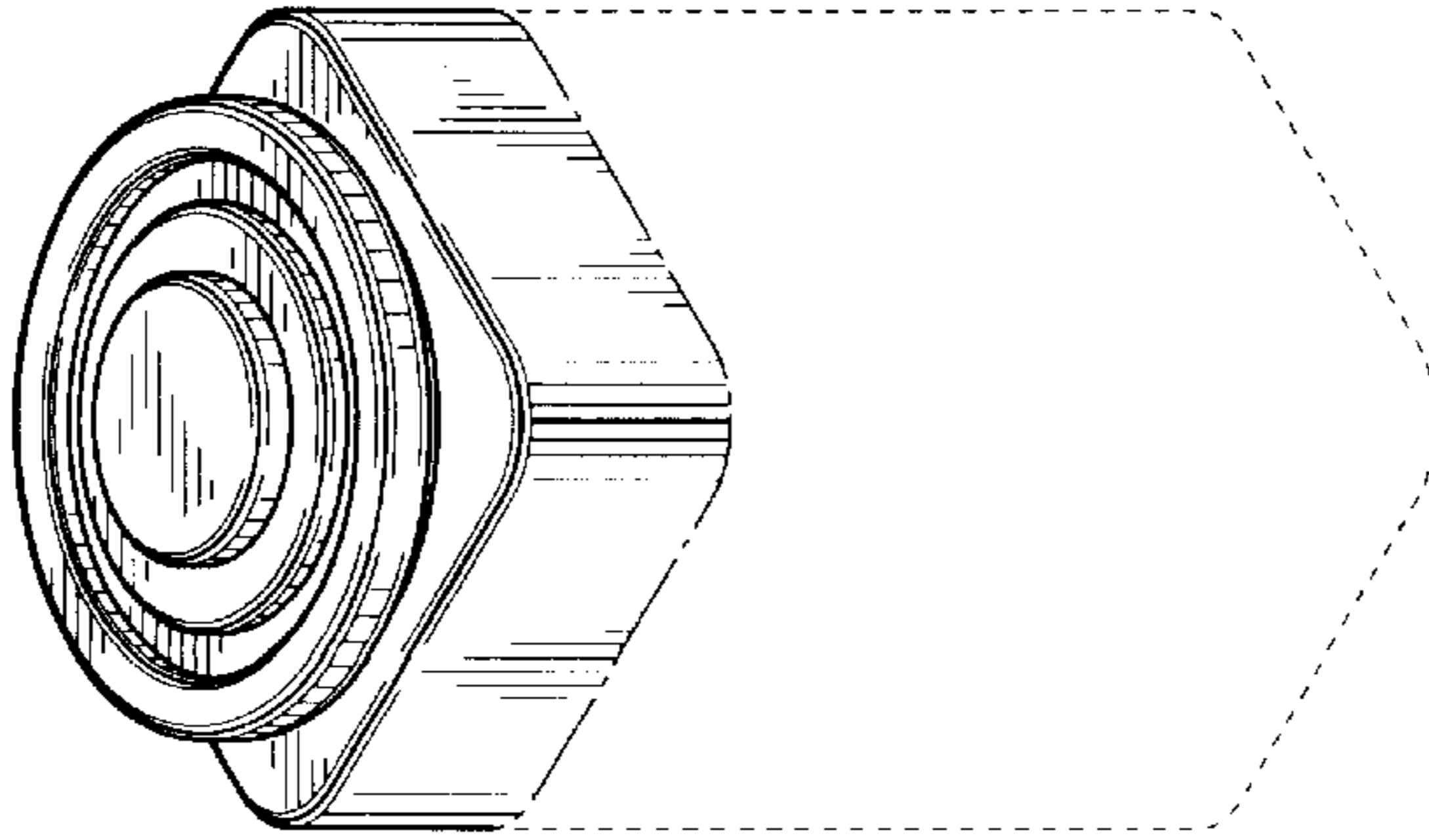


FIG. 20

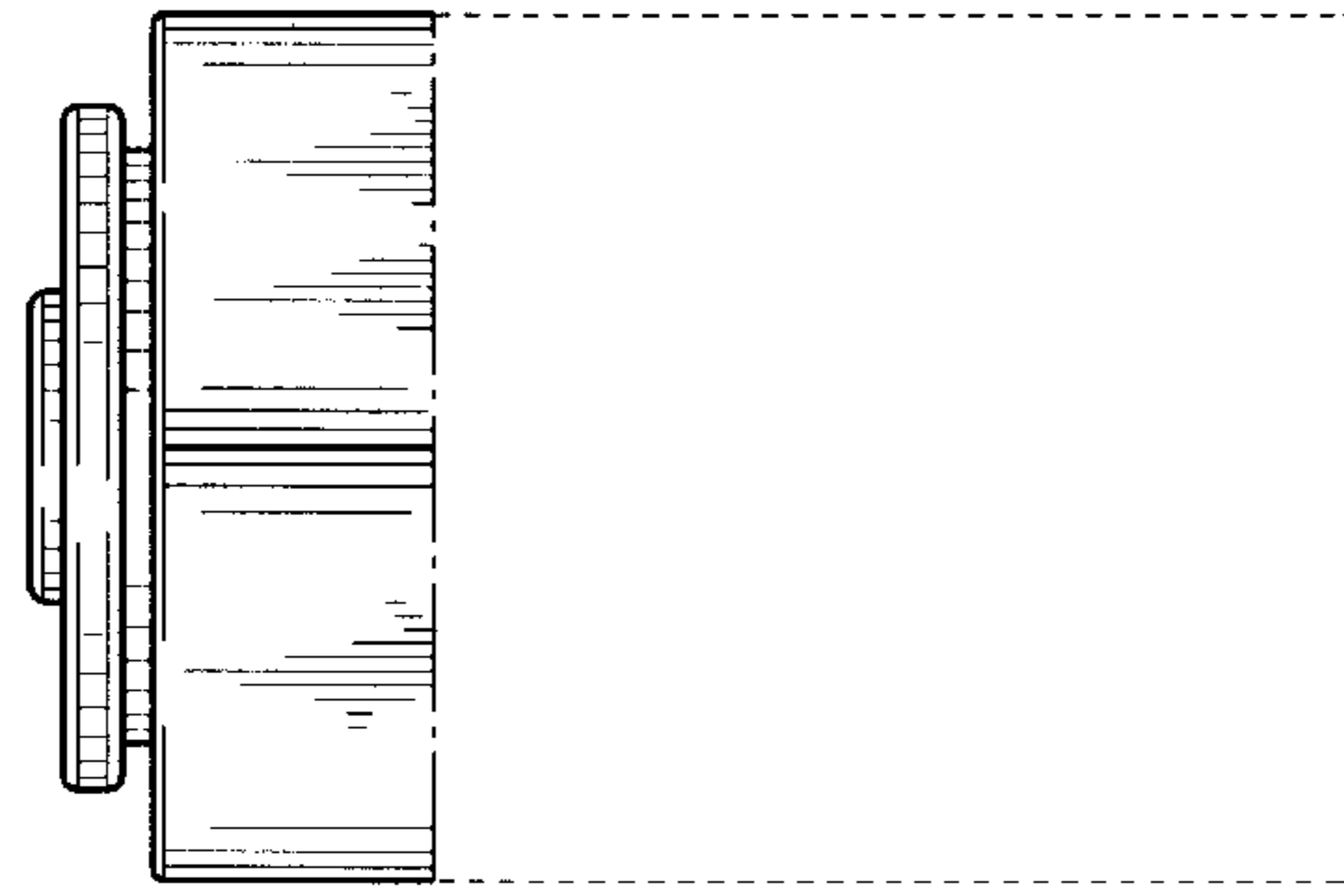


FIG. 21

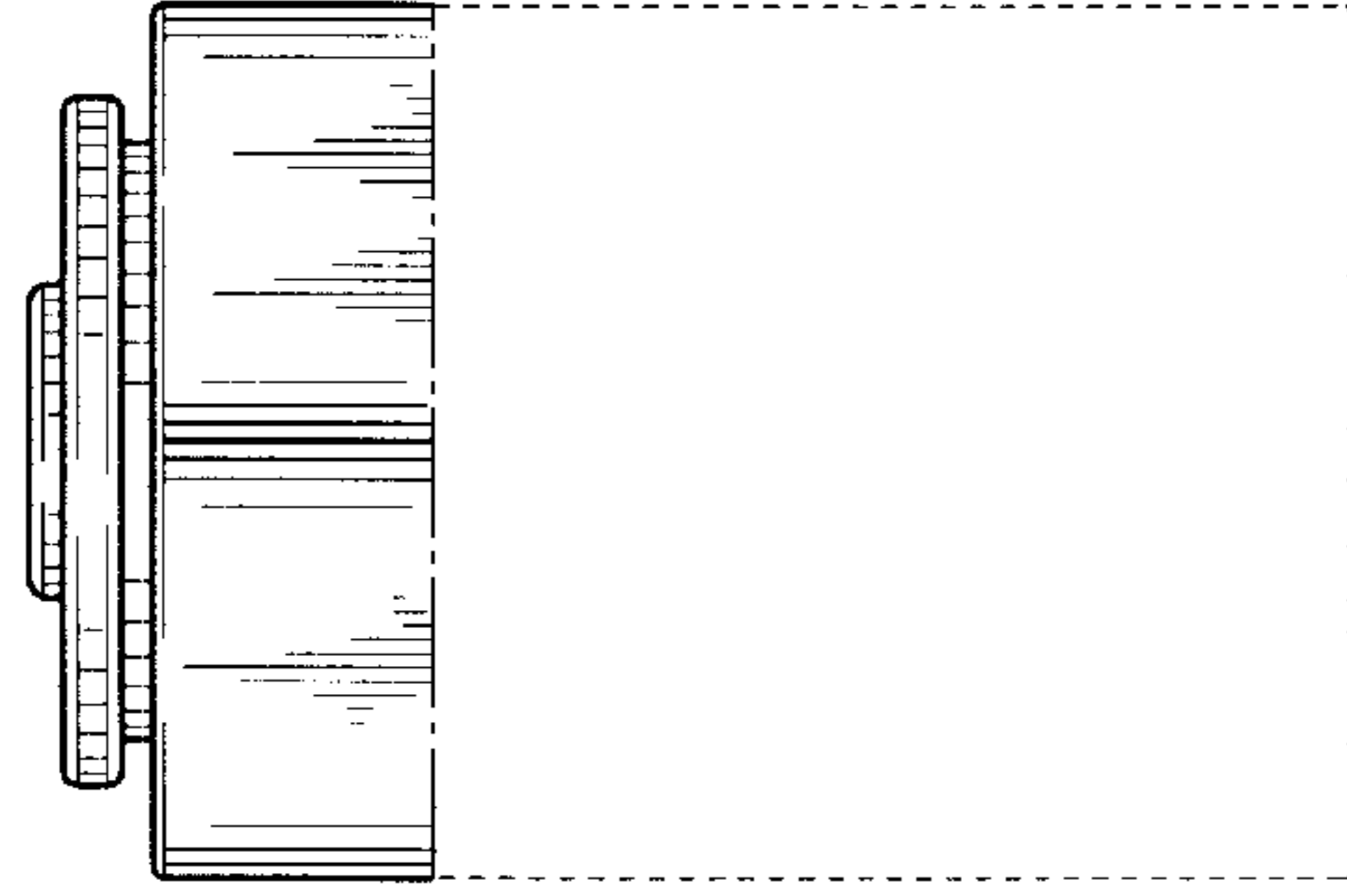


FIG. 22

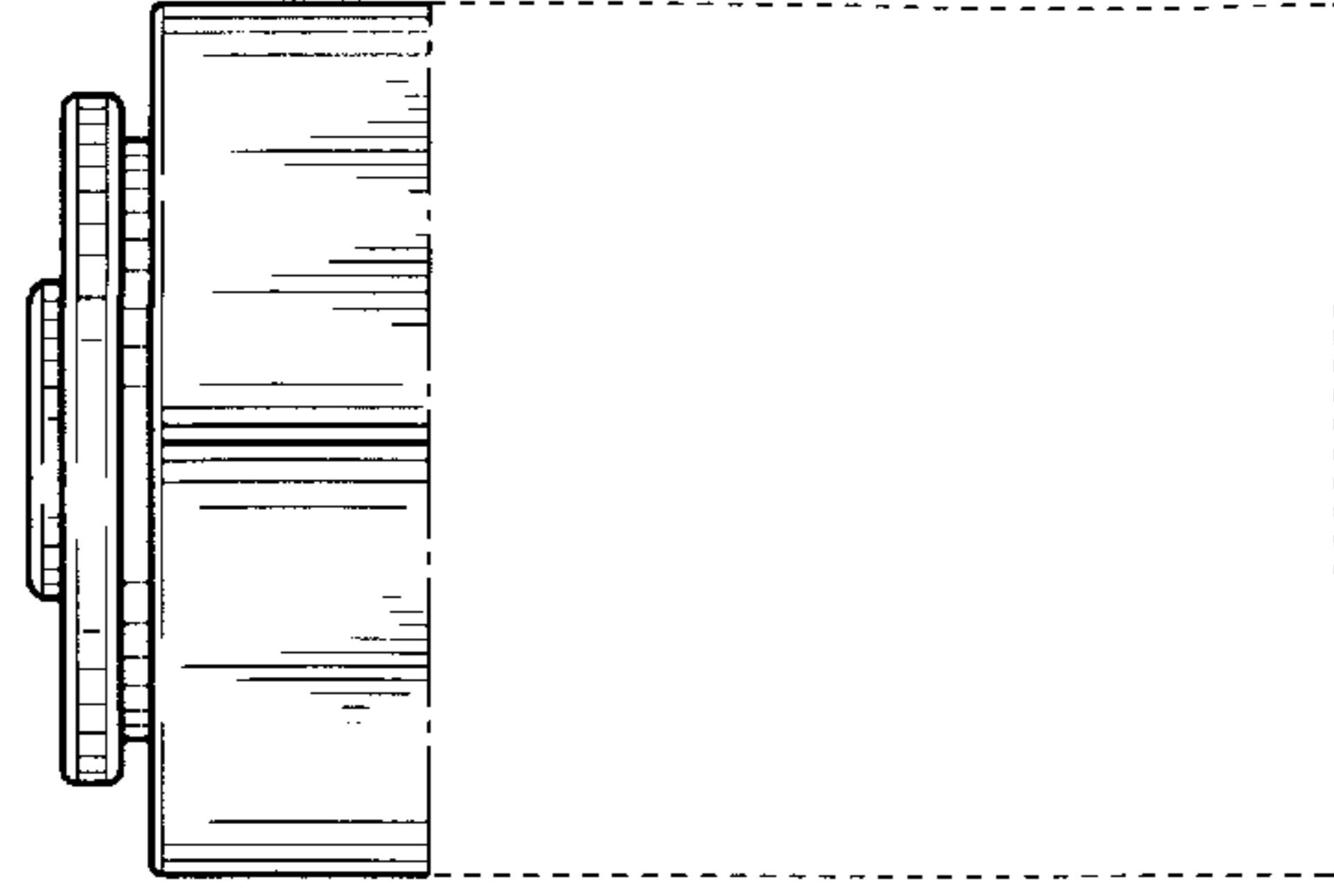


FIG. 23

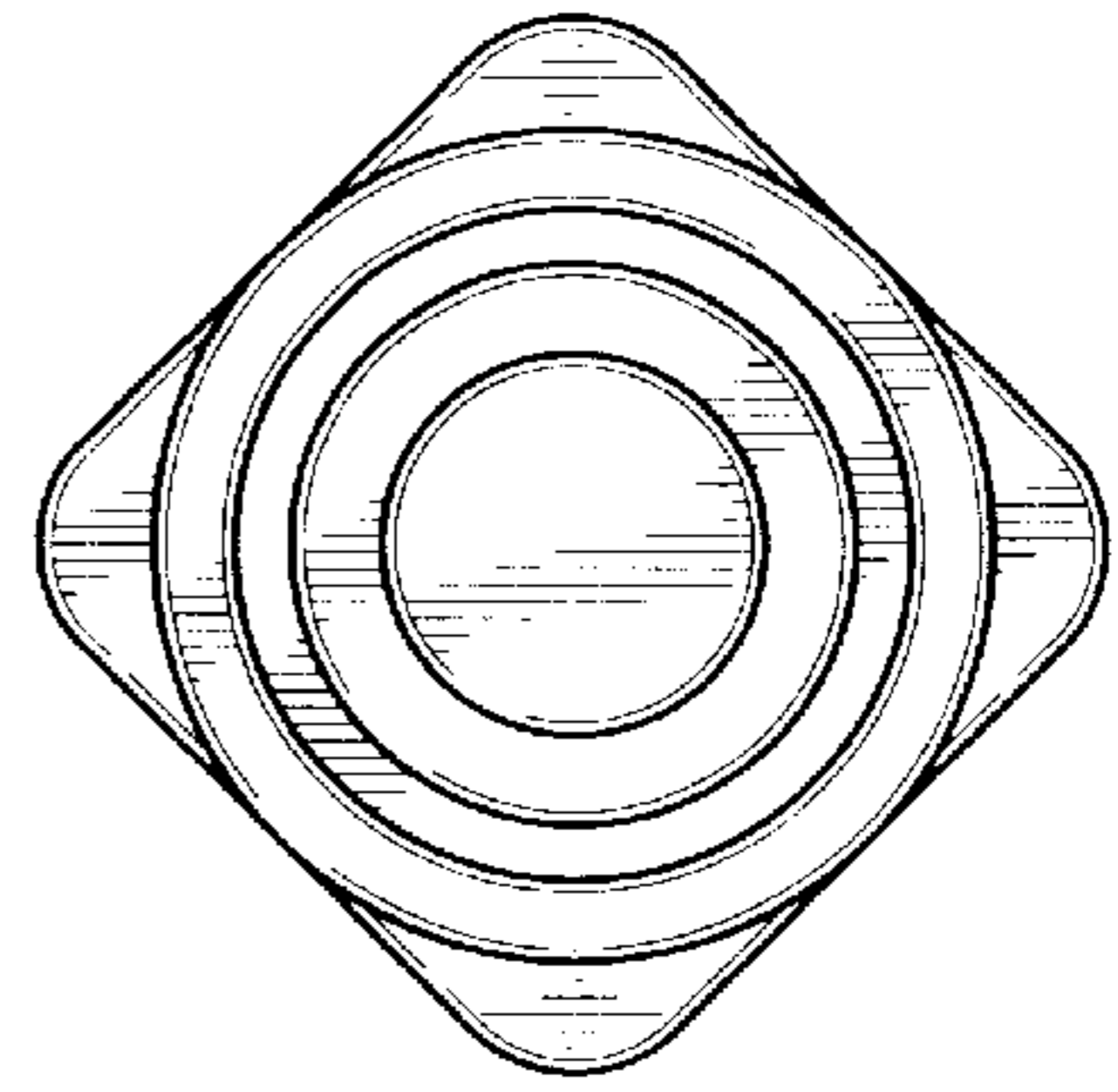


FIG. 24

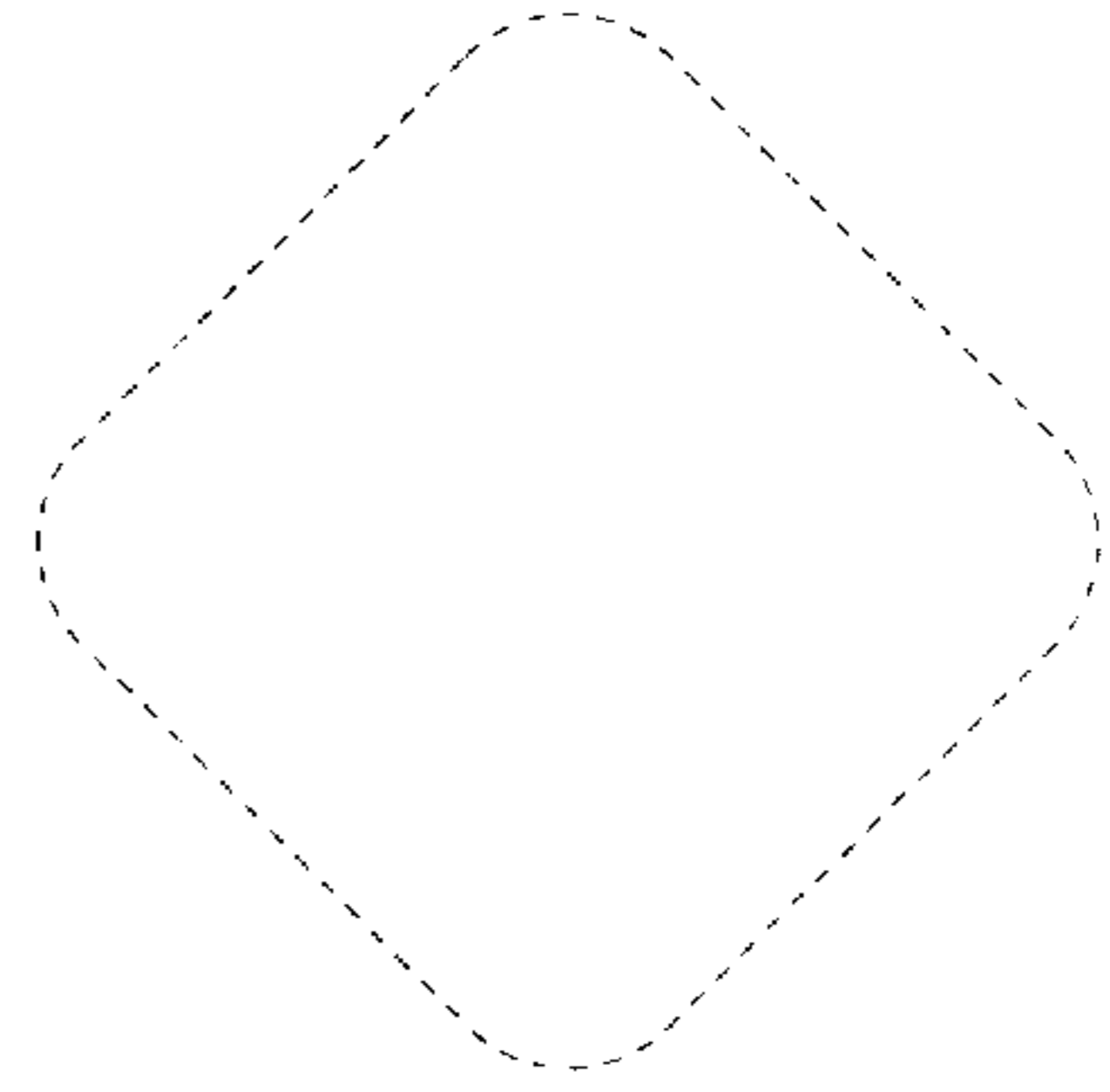


FIG. 25

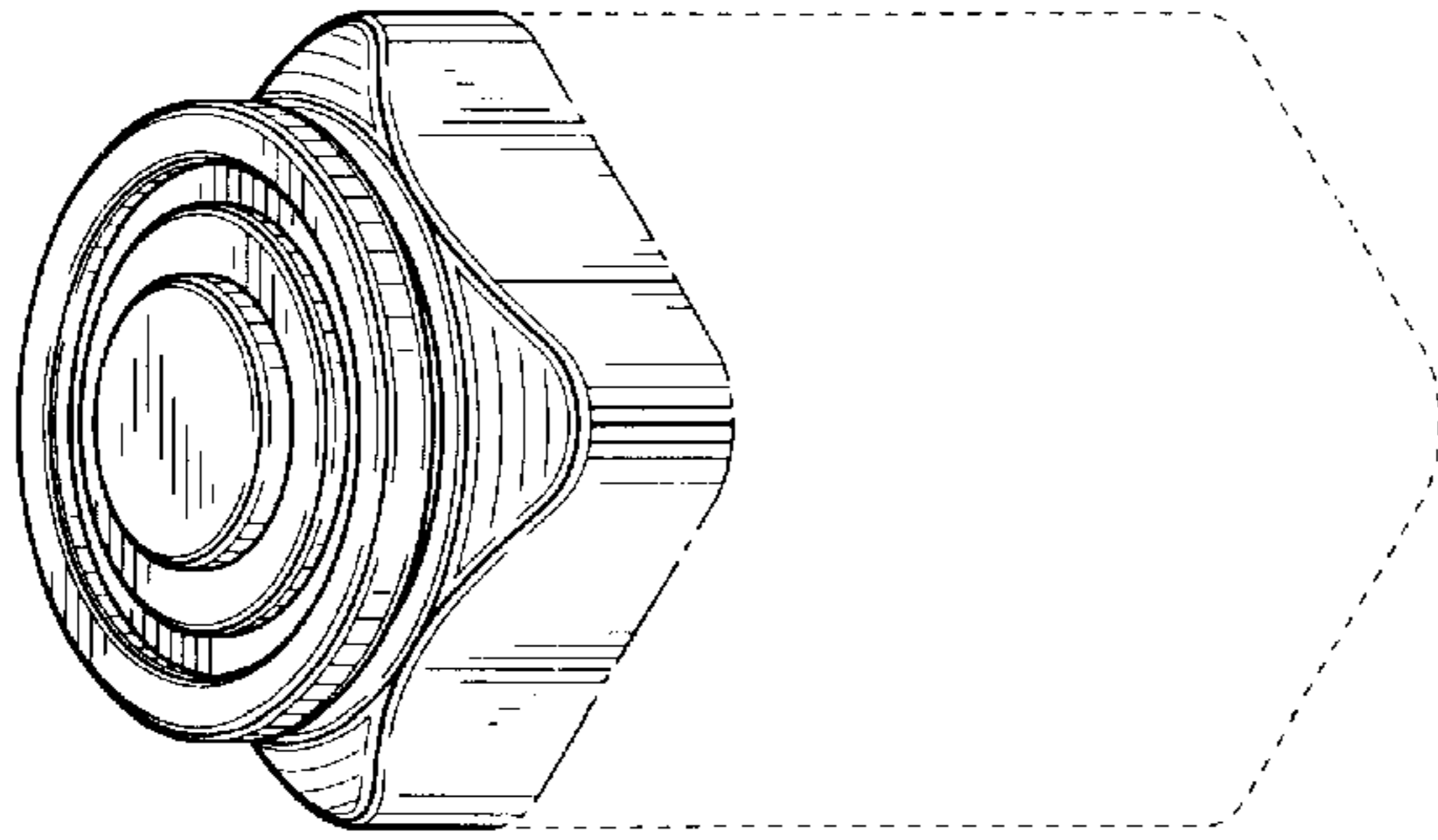


FIG. 26

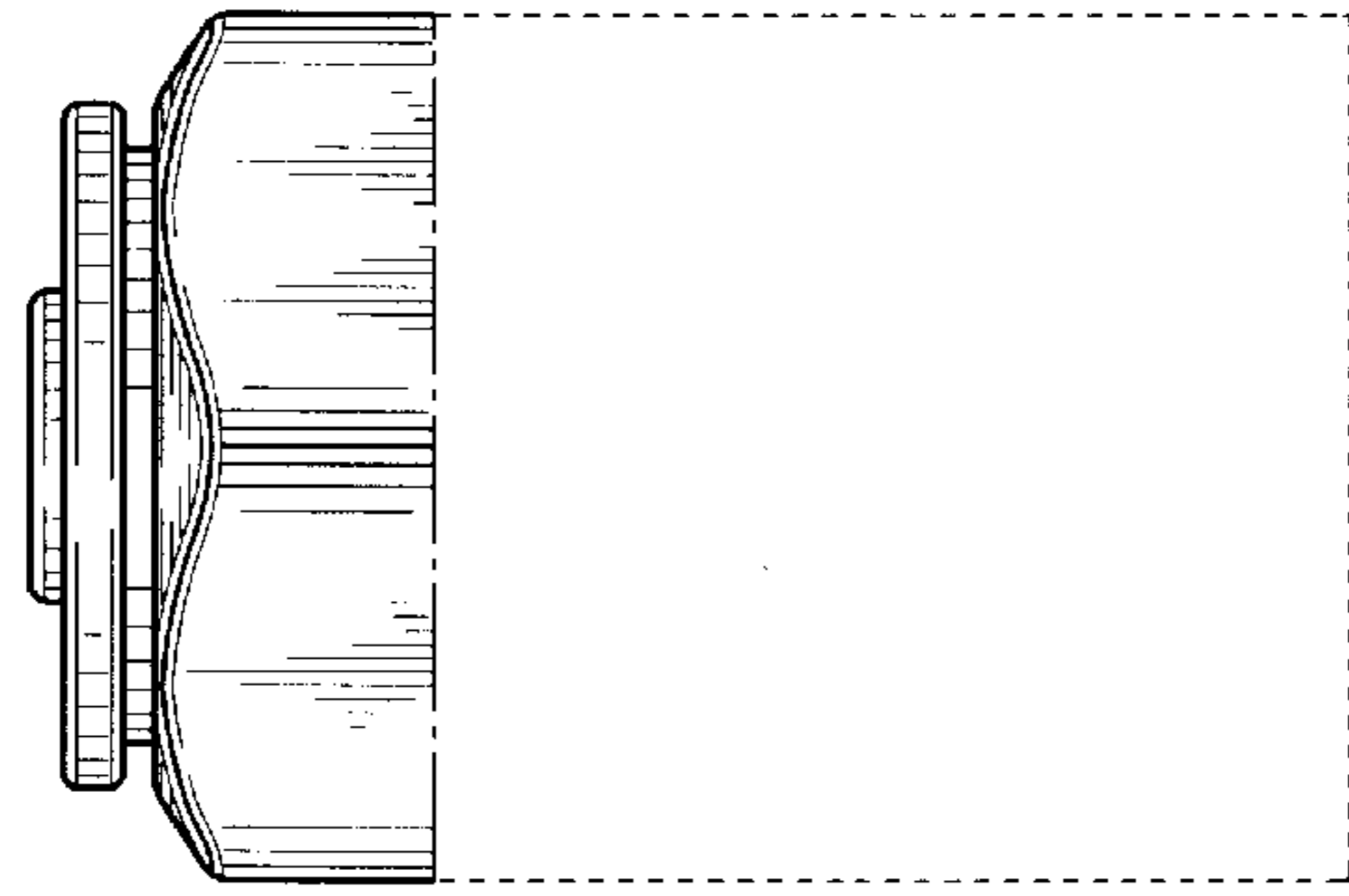


FIG. 27

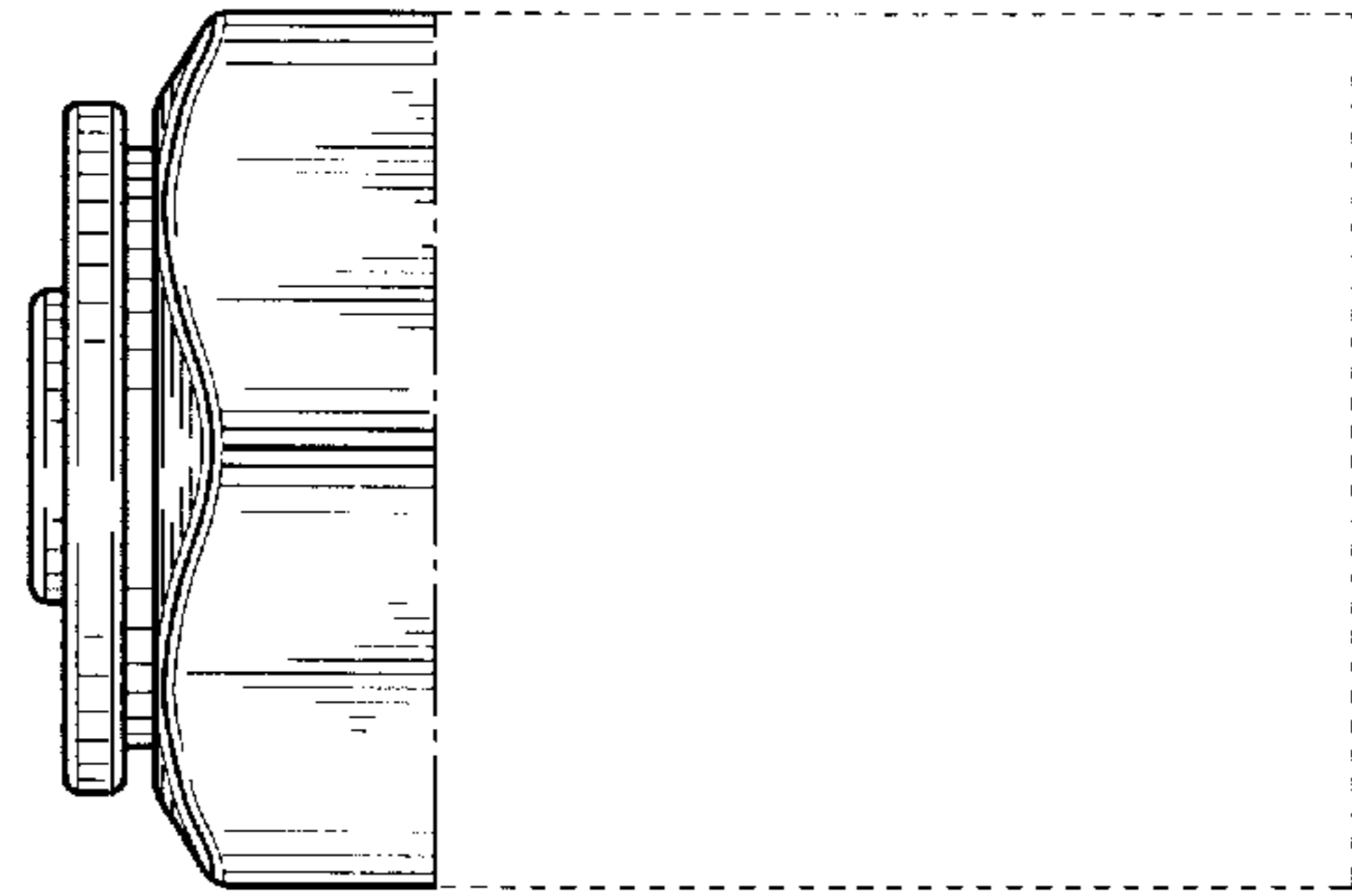


FIG. 28

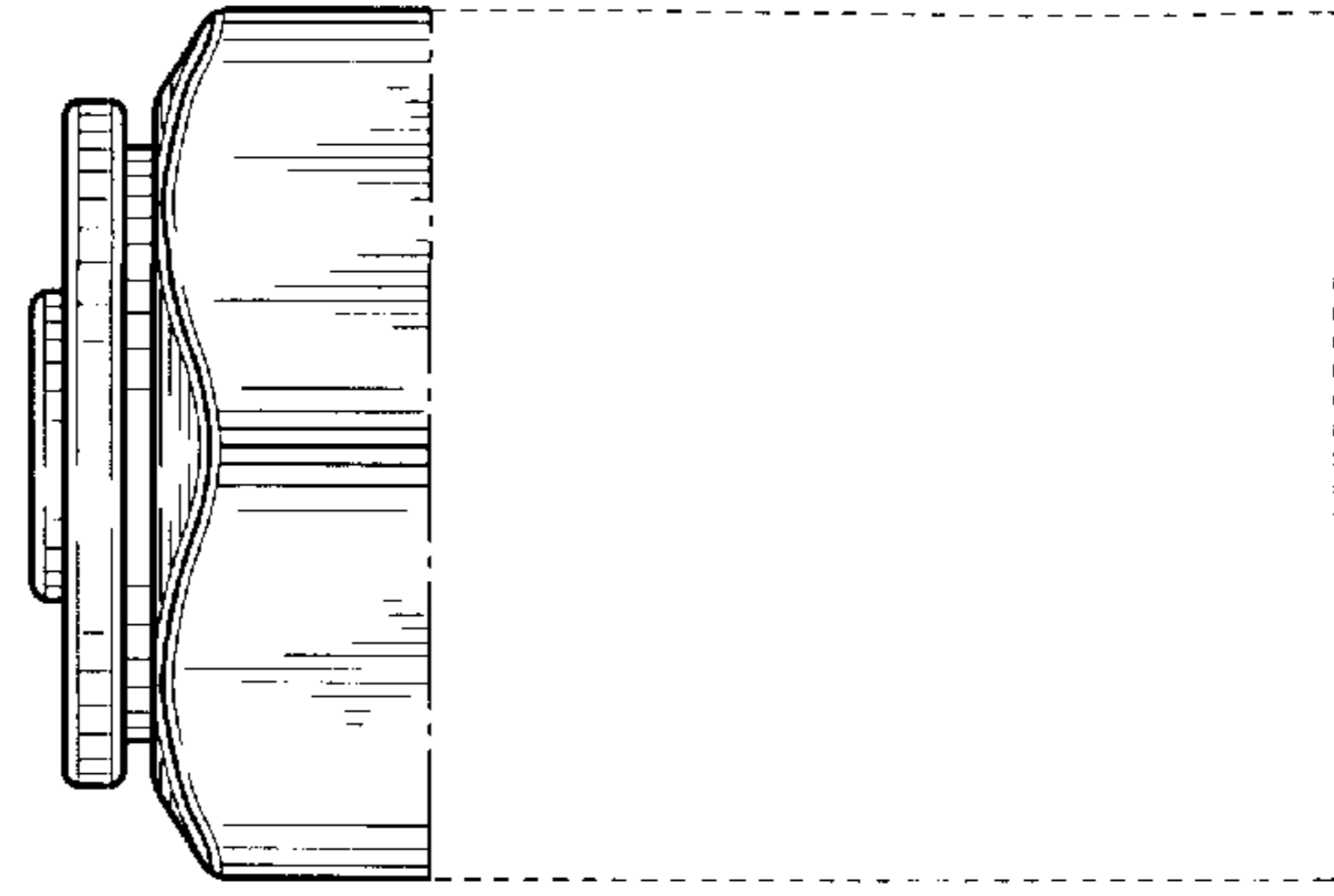


FIG. 29

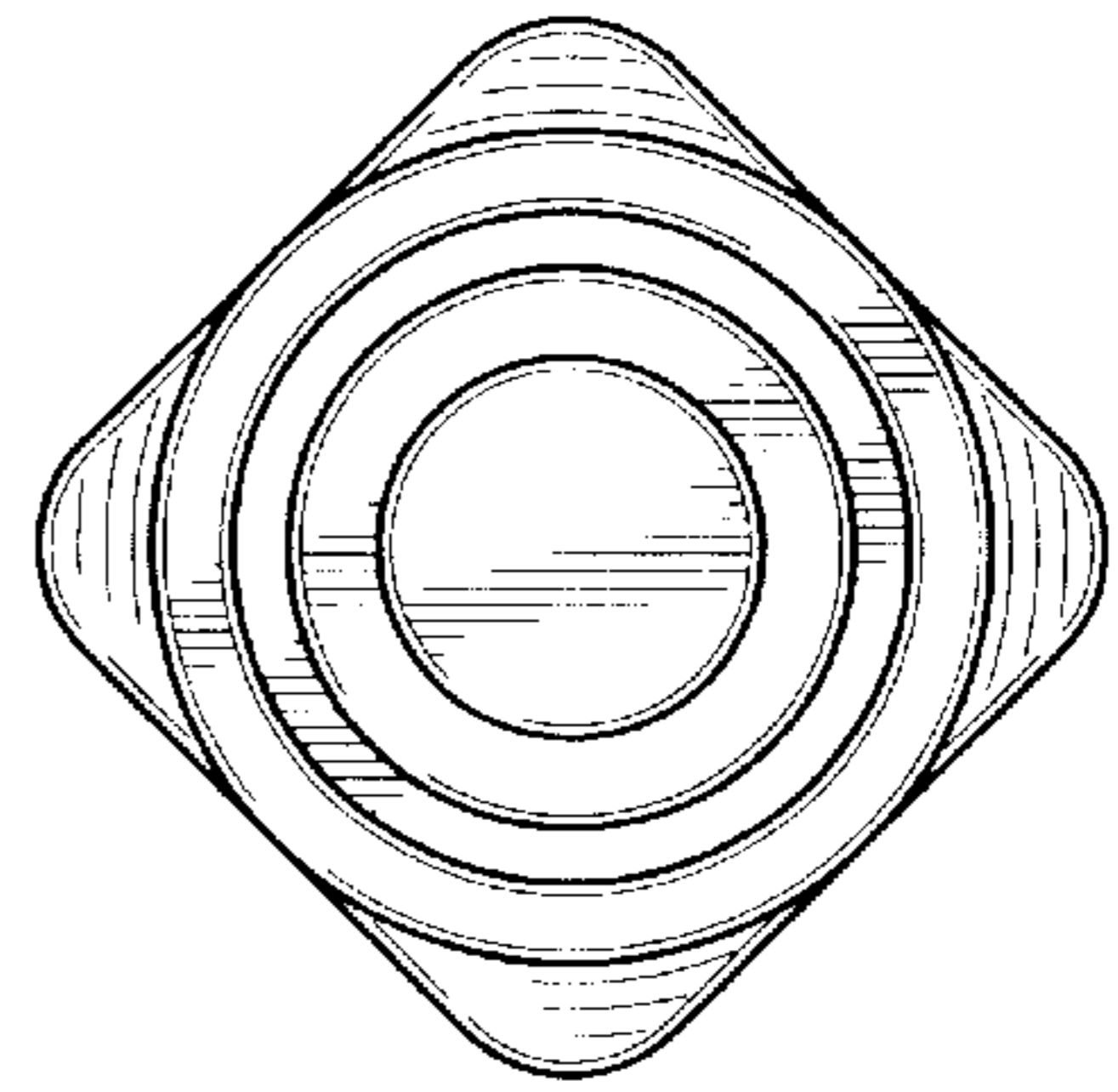


FIG. 30

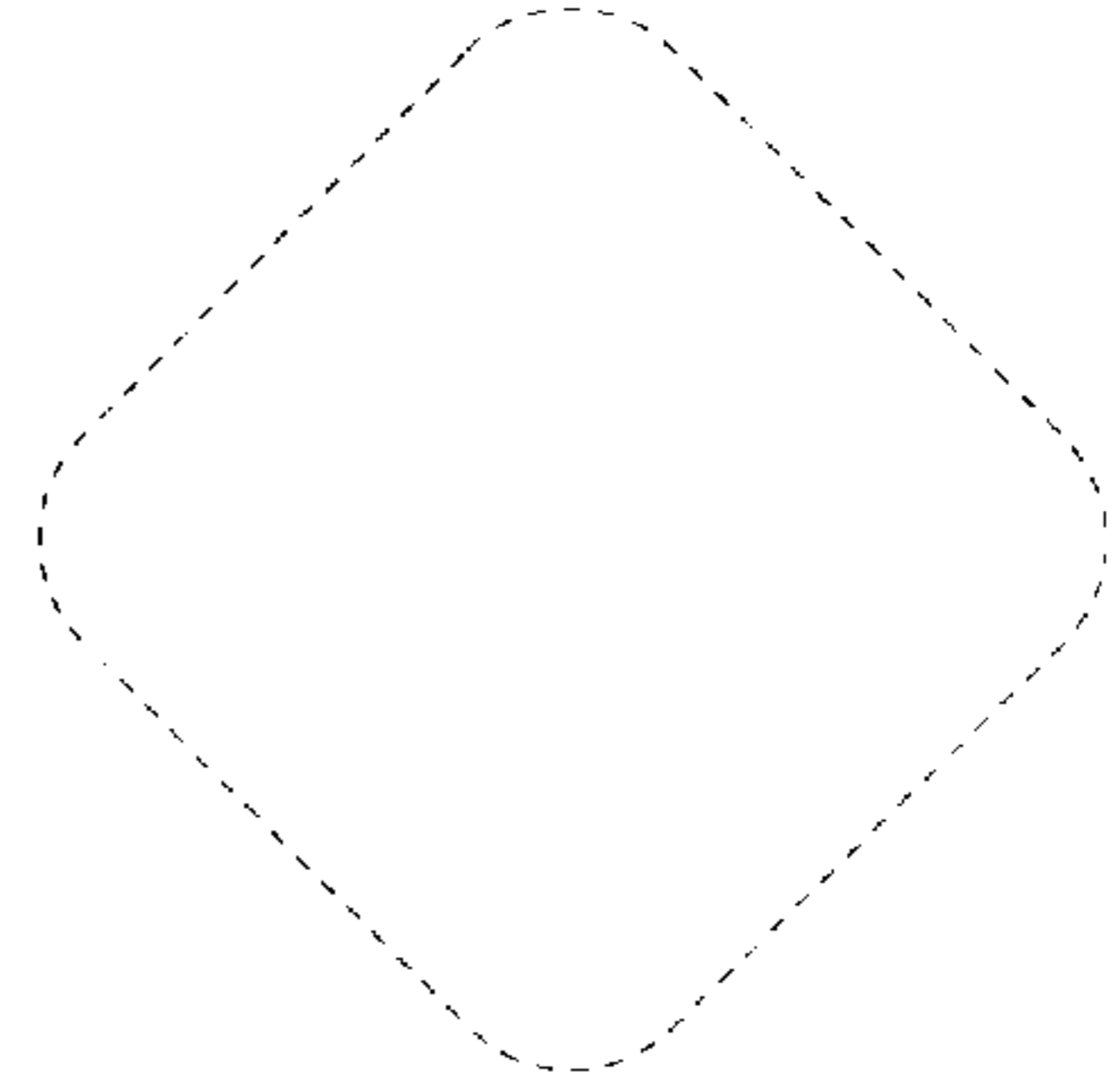


FIG. 31

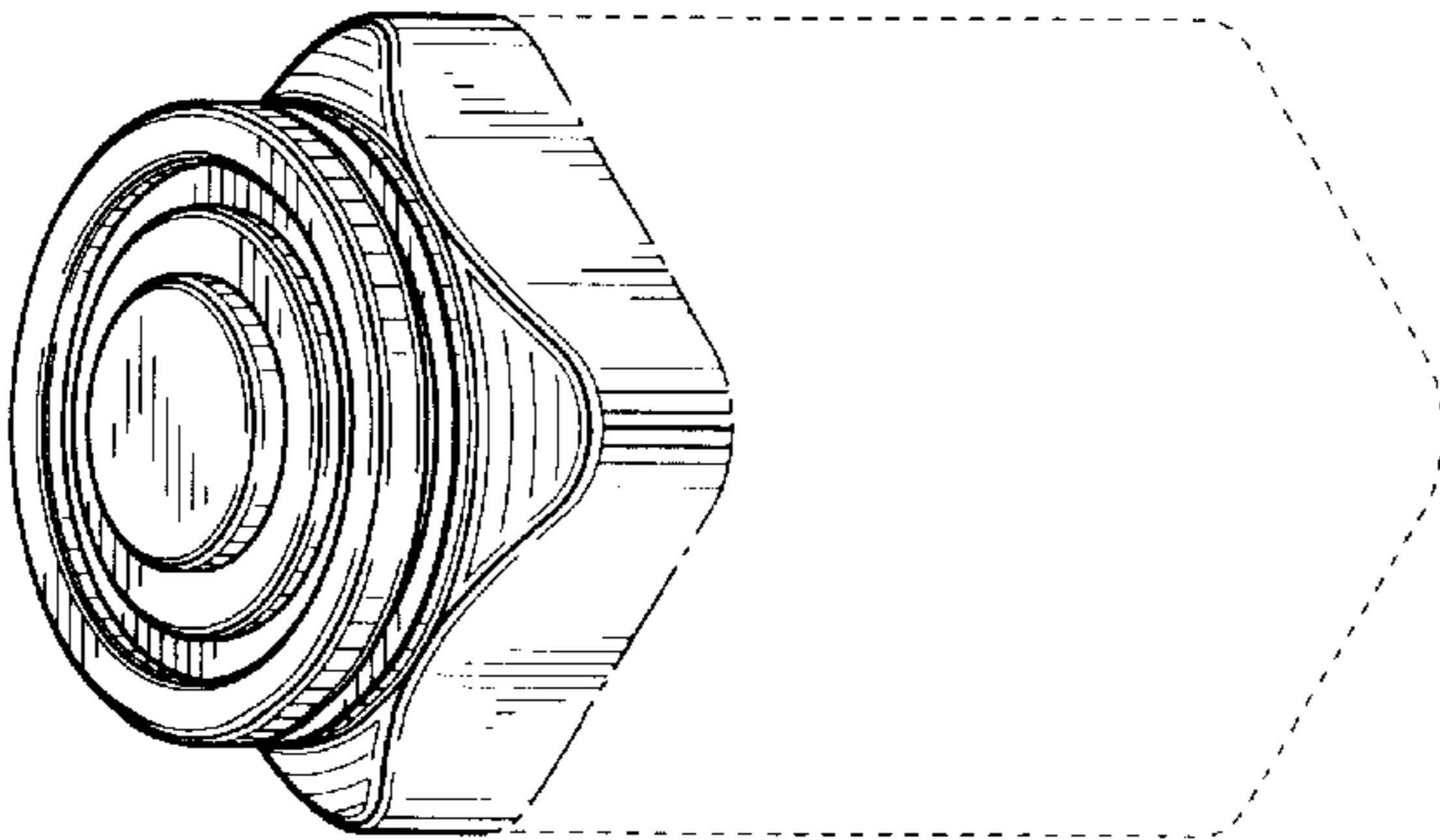


FIG. 32

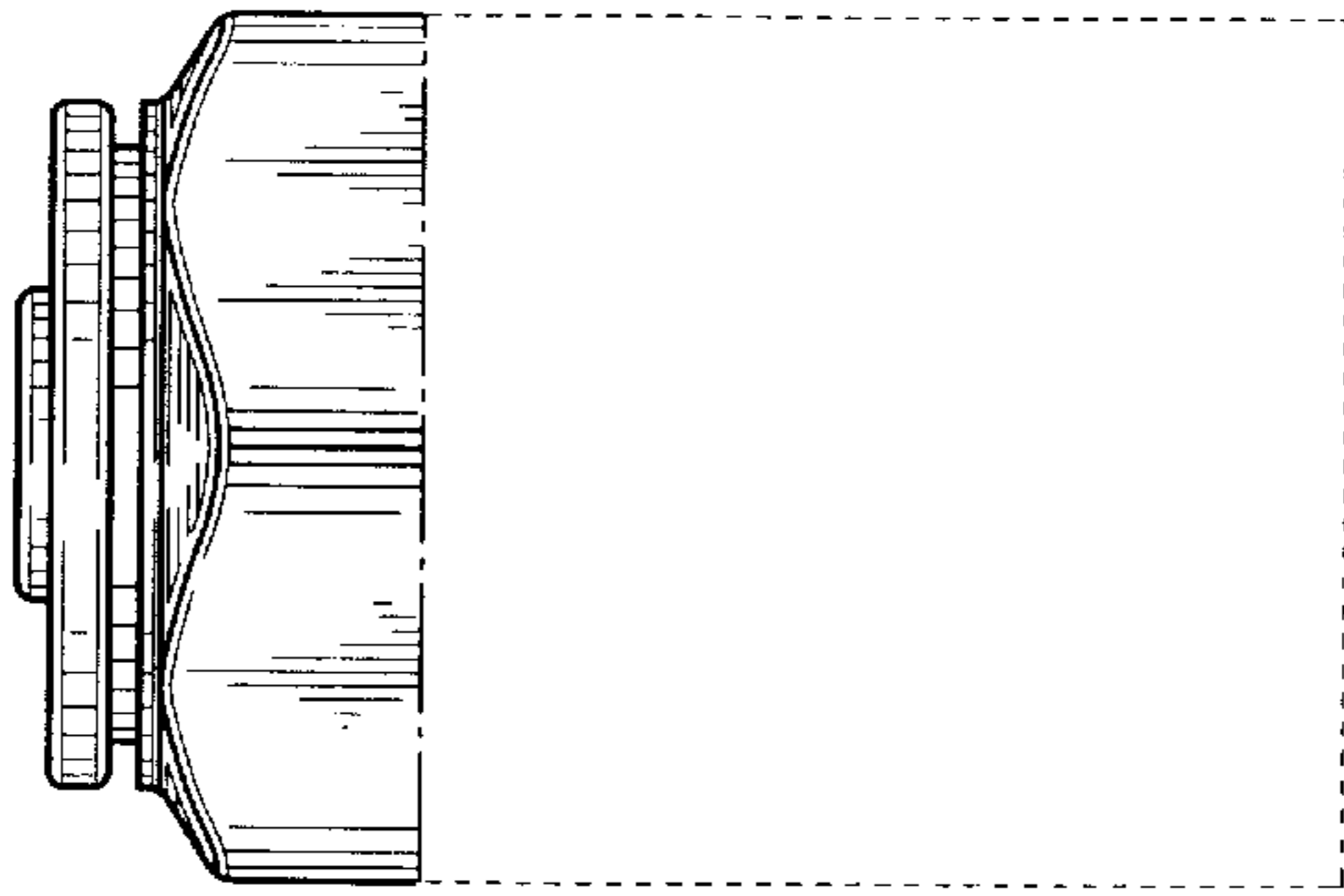


FIG. 33

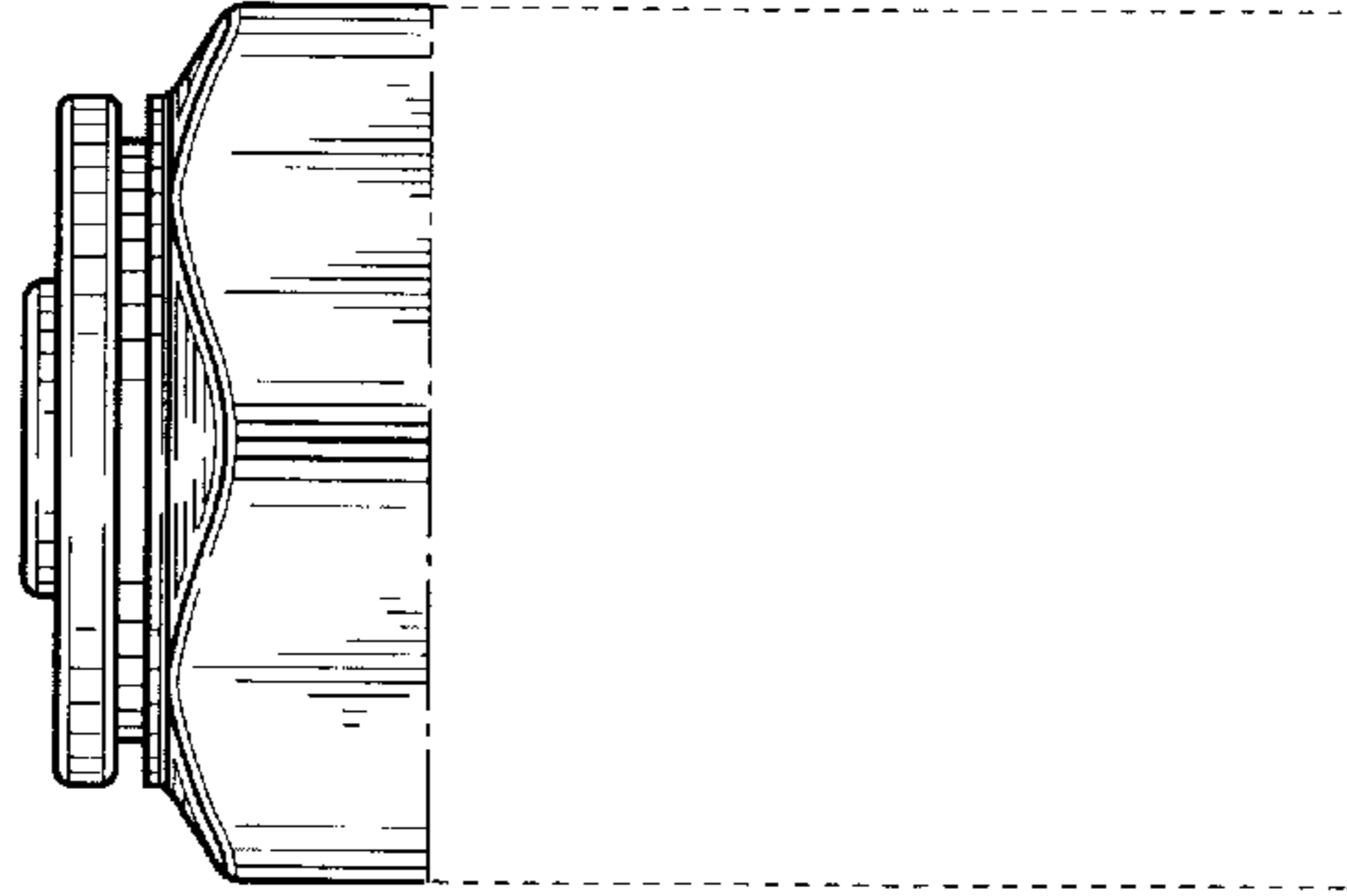


FIG. 34

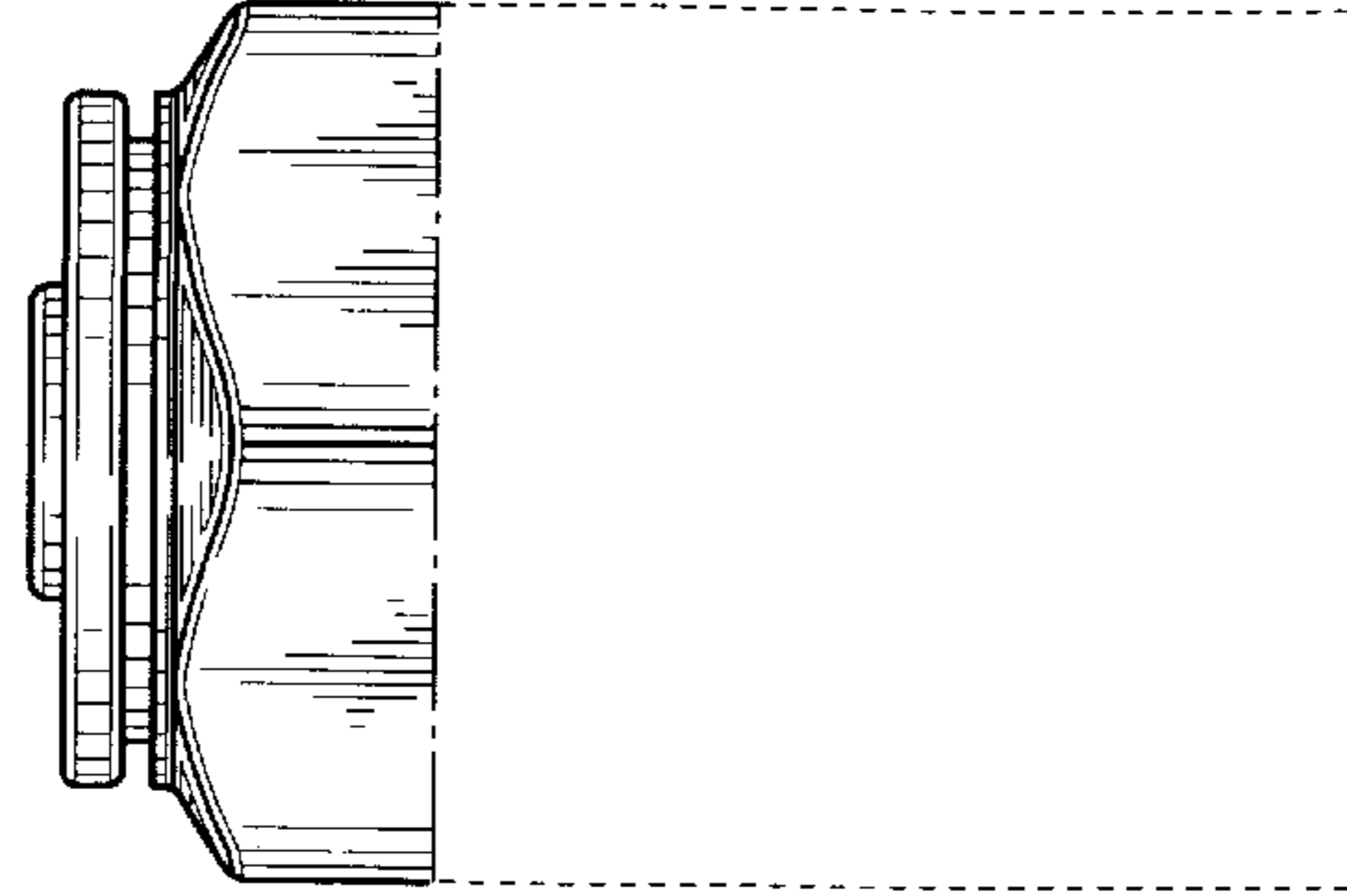


FIG. 35

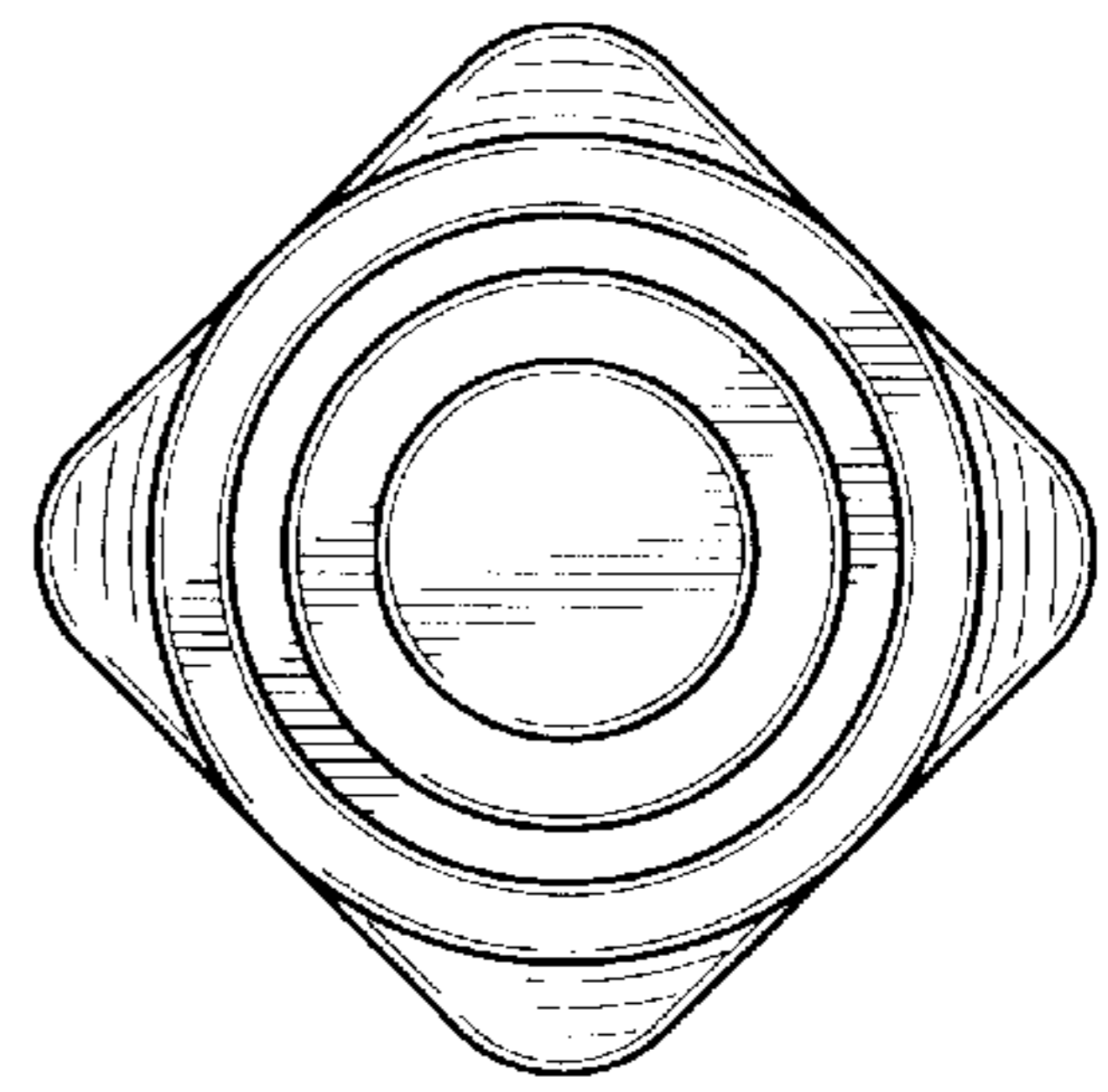


FIG. 36

