



US00D476945S

(12) **United States Design Patent**  
**Burch et al.**

(10) **Patent No.:** **US D476,945 S**

(45) **Date of Patent:** **\*\* Jul. 8, 2003**

(54) **REMOVABLE PLASTIC VEHICLE ARMREST**

(76) Inventors: **Claudio Burch**, 6907 Graymoss Ct.,  
Richmond, VA (US) 23234; **Emily H.**  
**Burch**, 6907 Graymoss Ct., Richmond,  
VA (US) 23234

(\*\*) Term: **14 Years**

(21) Appl. No.: **29/162,368**

(22) Filed: **Jun. 17, 2002**

(51) **LOC (7) Cl.** ..... **12-16**

(52) **U.S. Cl.** ..... **D12/421; D6/501**

(58) **Field of Search** ..... **D6/356, 314, 500,**  
**D6/501, 466; D12/421; D8/16; D25/119,**  
**120, 136, 164; 296/153; 297/411.2, 411.21,**  
**411.22, 227**

(56) **References Cited**

**U.S. PATENT DOCUMENTS**

- 1,695,459 A \* 12/1928 Hausler ..... 297/411.22
- 1,756,694 A \* 4/1930 Loehr ..... 296/153
- 2,004,982 A \* 6/1935 Fry ..... 297/227
- D170,327 S \* 9/1953 Mazzullo ..... D12/421
- 4,453,760 A 6/1984 Hira

- 4,521,056 A 6/1985 Lindenmuth
- 4,982,921 A 1/1991 Sanders
- 5,203,604 A 4/1993 Emley, Jr.
- D369,341 S \* 4/1996 Davidson ..... D12/421
- D419,693 S \* 1/2000 Hersh et al. .... D25/119
- D468,451 S \* 1/2003 Kowalczyk et al. .... D25/119

\* cited by examiner

*Primary Examiner*—Doris V. Coles

*Assistant Examiner*—Mimosa De

(74) *Attorney, Agent, or Firm*—Norman B. Rainer

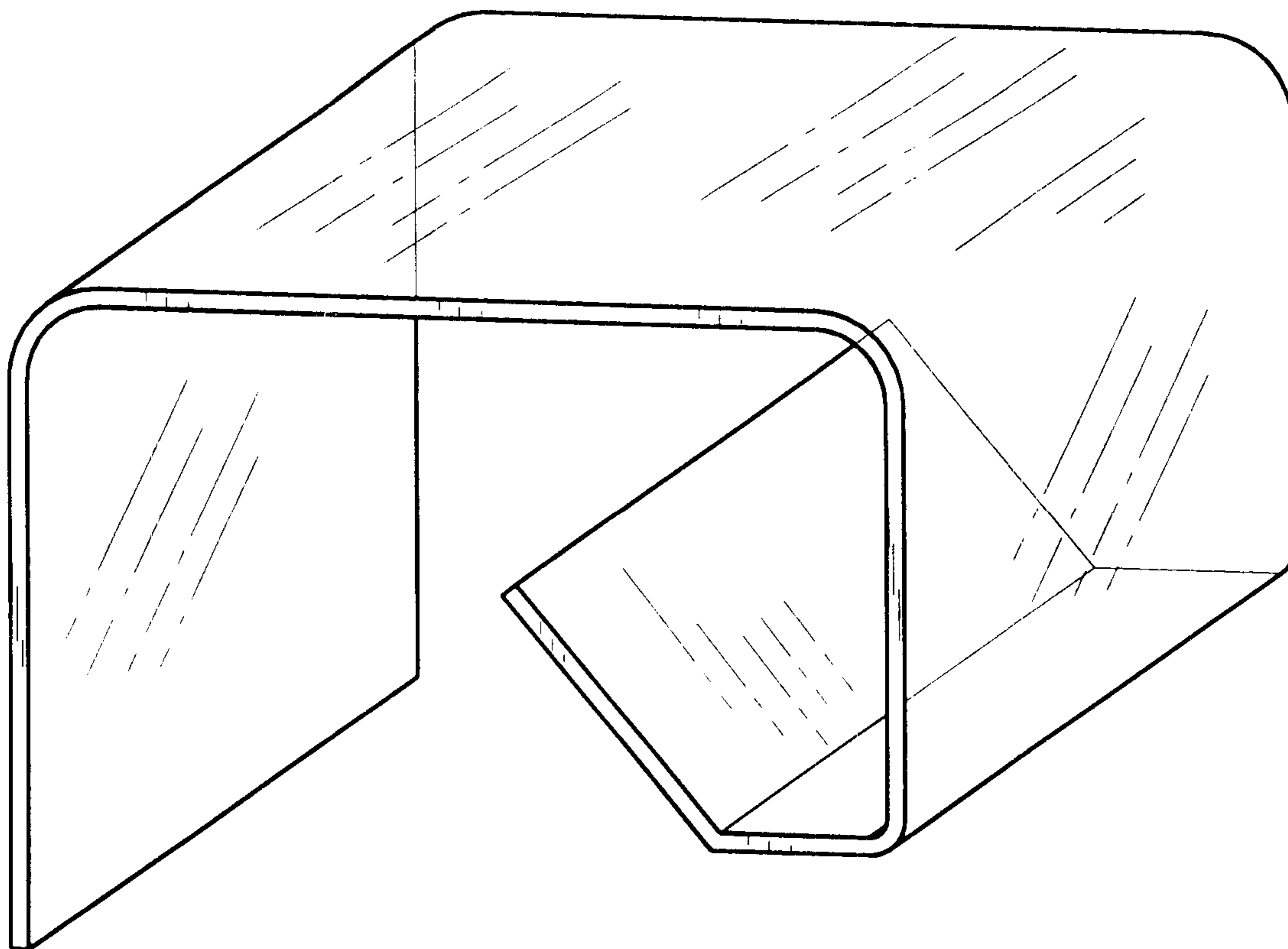
(57) **CLAIM**

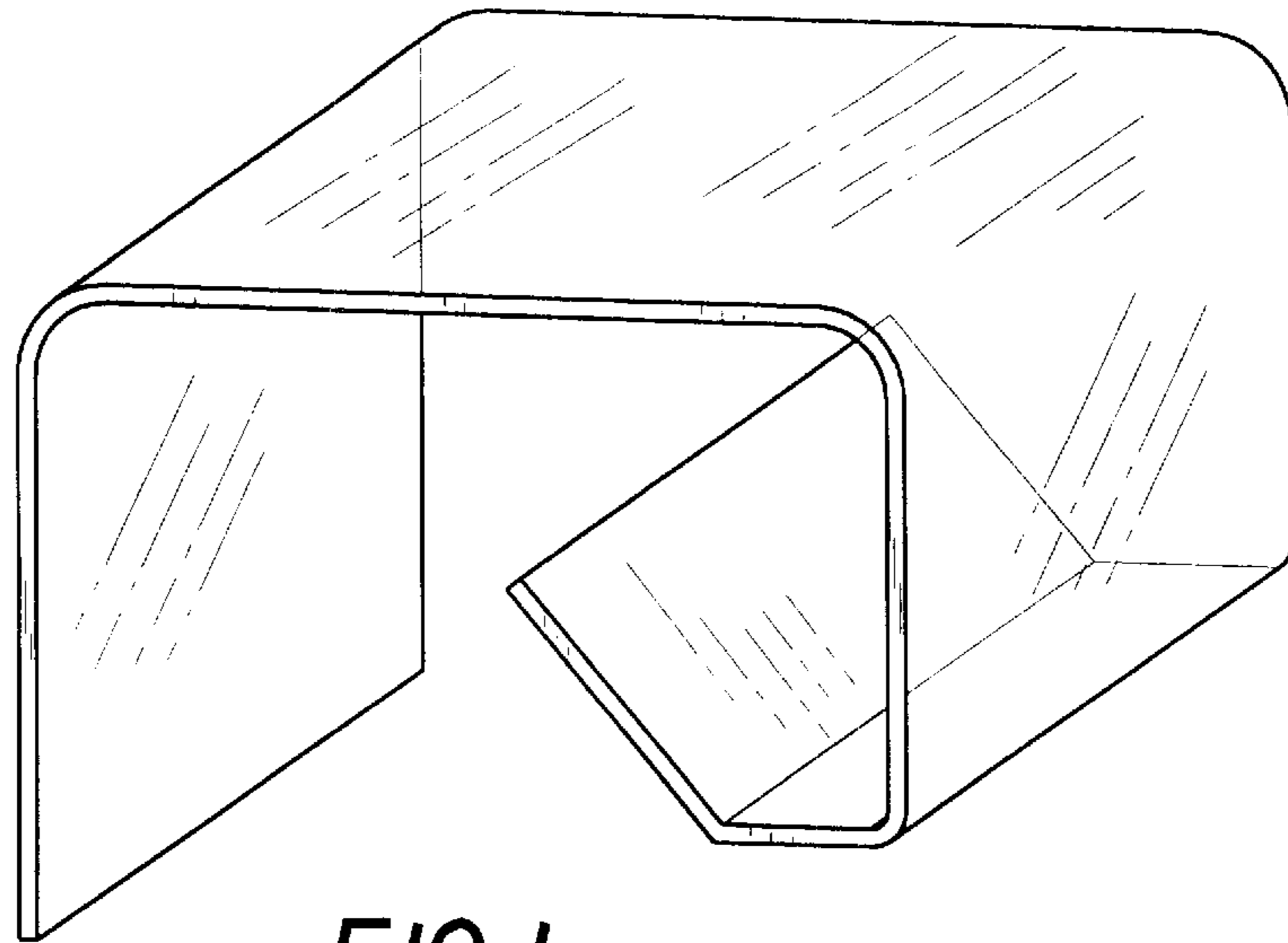
The ornamental design for a removable plastic vehicle armrest, as shown and described.

**DESCRIPTION**

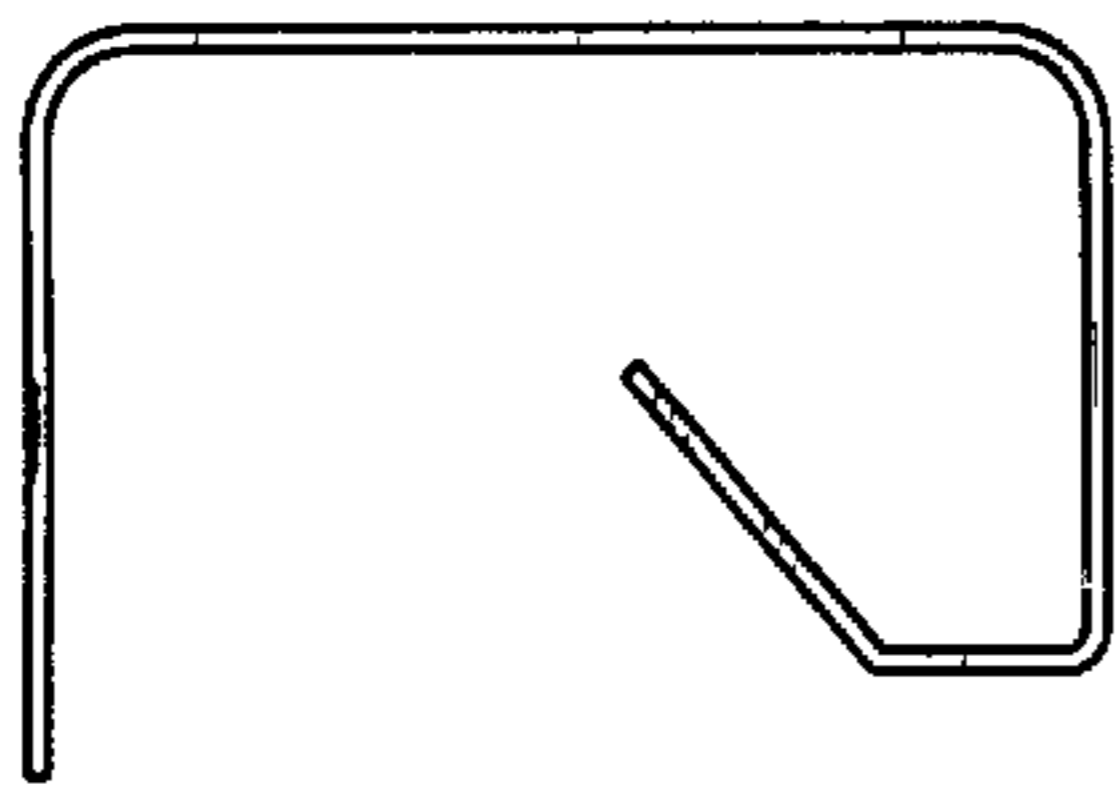
FIG. 1 is a perspective top, end and side view of a removable plastic vehicle armrest showing my new design;  
 FIG. 2 is a reduced end view thereof, the unshown opposite end being of mirror image appearance;  
 FIG. 3 is a right side view;  
 FIG. 4 is a top view; and,  
 FIG. 5 is a bottom view.

**1 Claim, 1 Drawing Sheet**

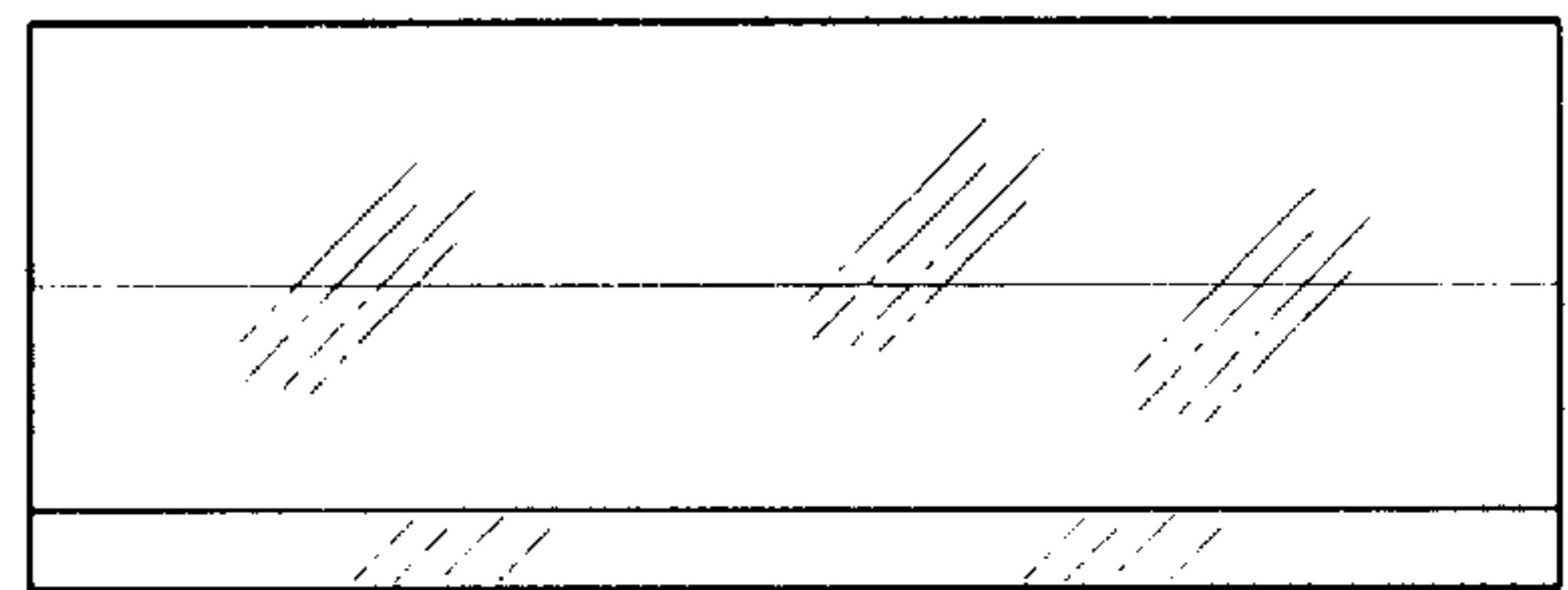




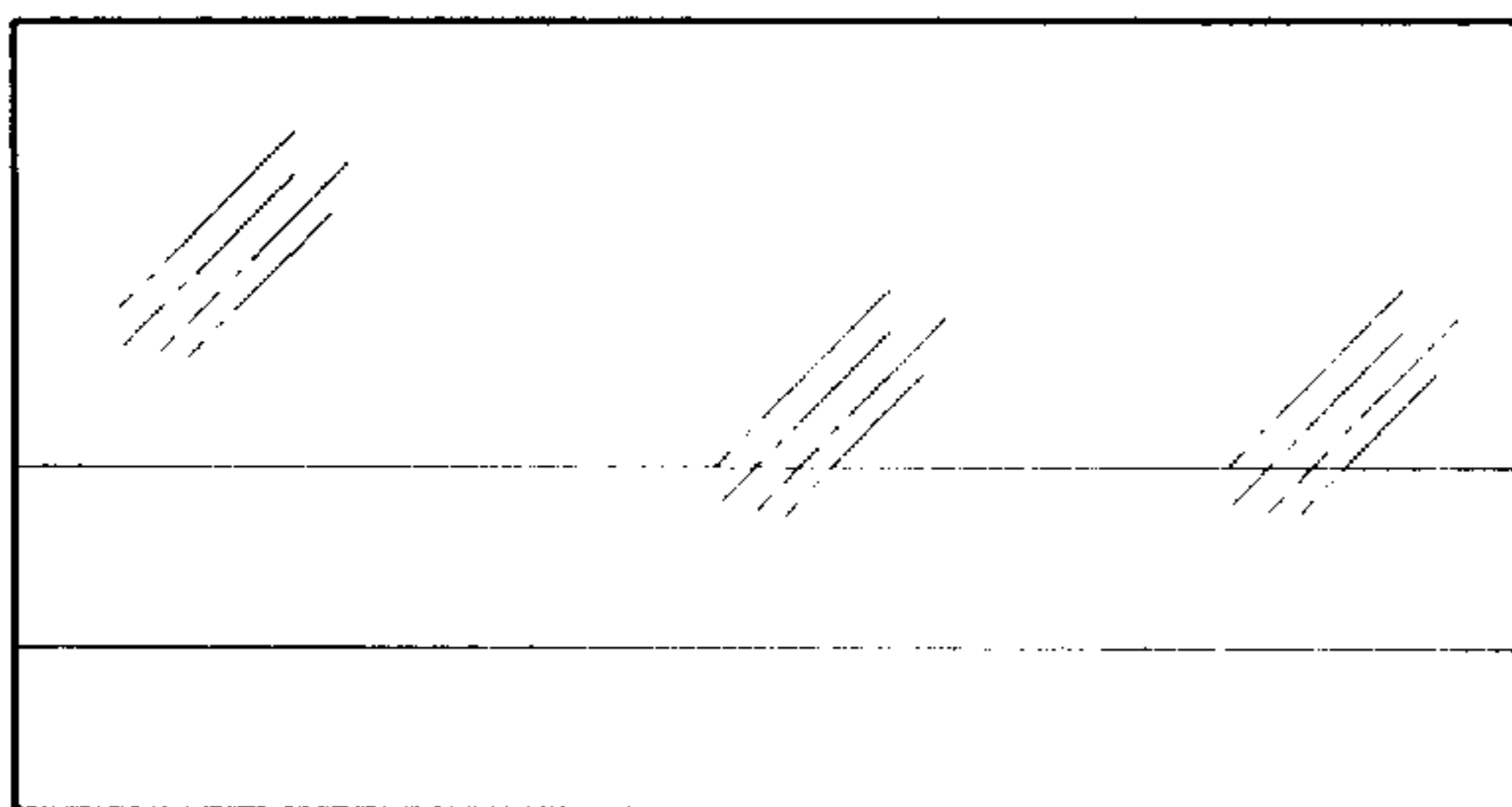
**FIG. 1**



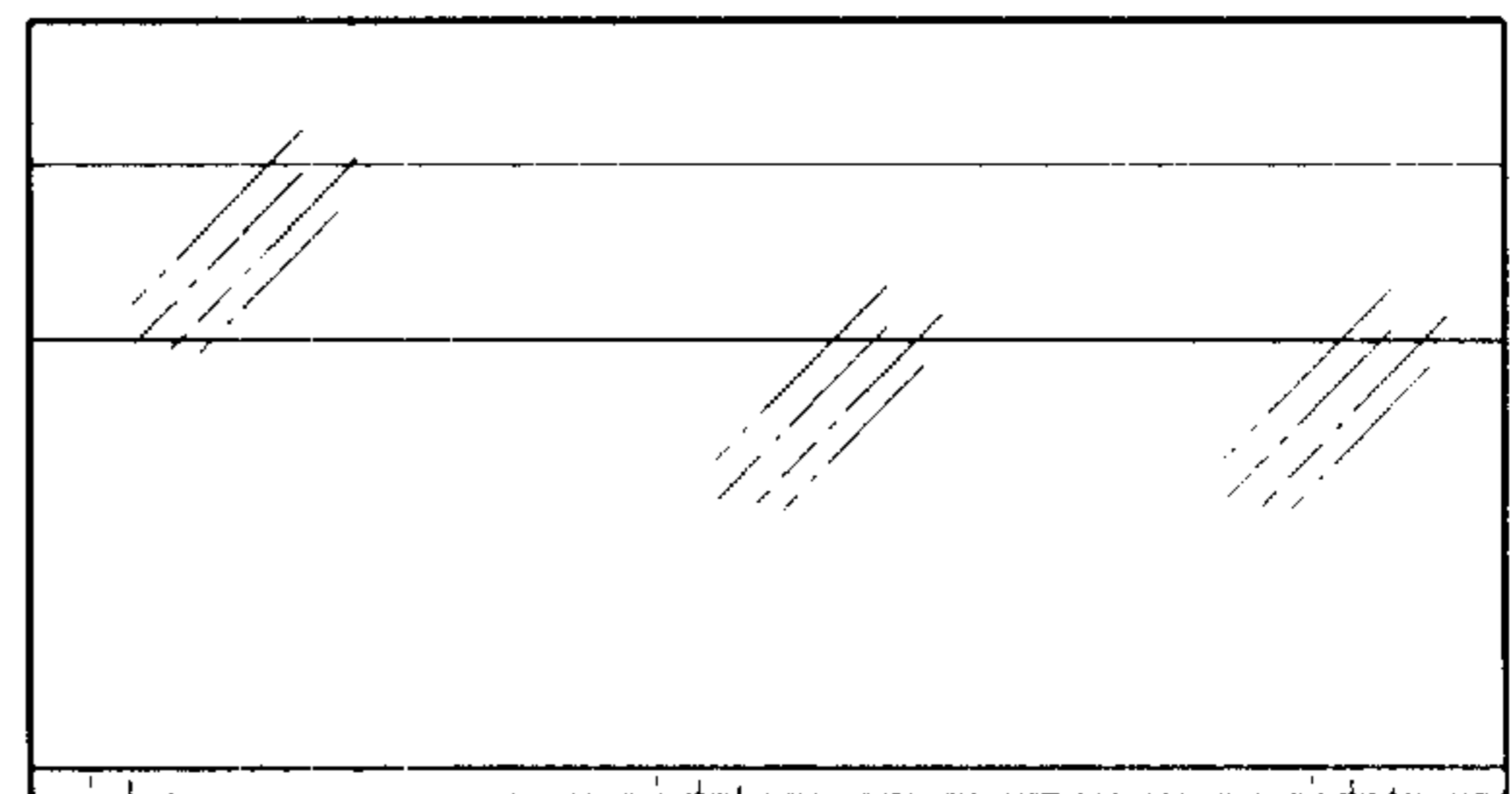
**FIG. 2**



**FIG. 3**



**FIG. 4**



**FIG. 5**