



US00D476941S

(12) **United States Design Patent**  
**Prevost**

(10) **Patent No.:** **US D476,941 S**

(45) **Date of Patent:** **\*\* Jul. 8, 2003**

(54) **PERSONAL WATERCRAFT**

*Primary Examiner*—Holly Baynham

(76) Inventor: **Daniel P. Prevost**, 405 Westside Blvd.,  
Apt. 37, Houma, LA (US) 70364

(57) **CLAIM**

The ornamental design for a personal watercraft, as shown and described.

(\*\*) Term: **14 Years**

**DESCRIPTION**

(21) Appl. No.: **29/166,090**

FIG. 1 is an upper perspective view of a personal watercraft showing my new design.

(22) Filed: **Aug. 19, 2002**

FIG. 2 is a front view of a personal watercraft showing my new design.

(51) **LOC (7) Cl.** ..... **12-06**

FIG. 3 is a bottom view of a personal watercraft showing my new design.

(52) **U.S. Cl.** ..... **D12/307**

(58) **Field of Search** ..... D12/307; 114/343,  
114/210, 251, 219

FIG. 4 is a rear view of a personal watercraft showing my new design.

(56) **References Cited**

FIG. 5 is a top view of a personal watercraft showing my new design.

**U.S. PATENT DOCUMENTS**

FIG. 6 is a right side view of a personal watercraft showing my new design; and,

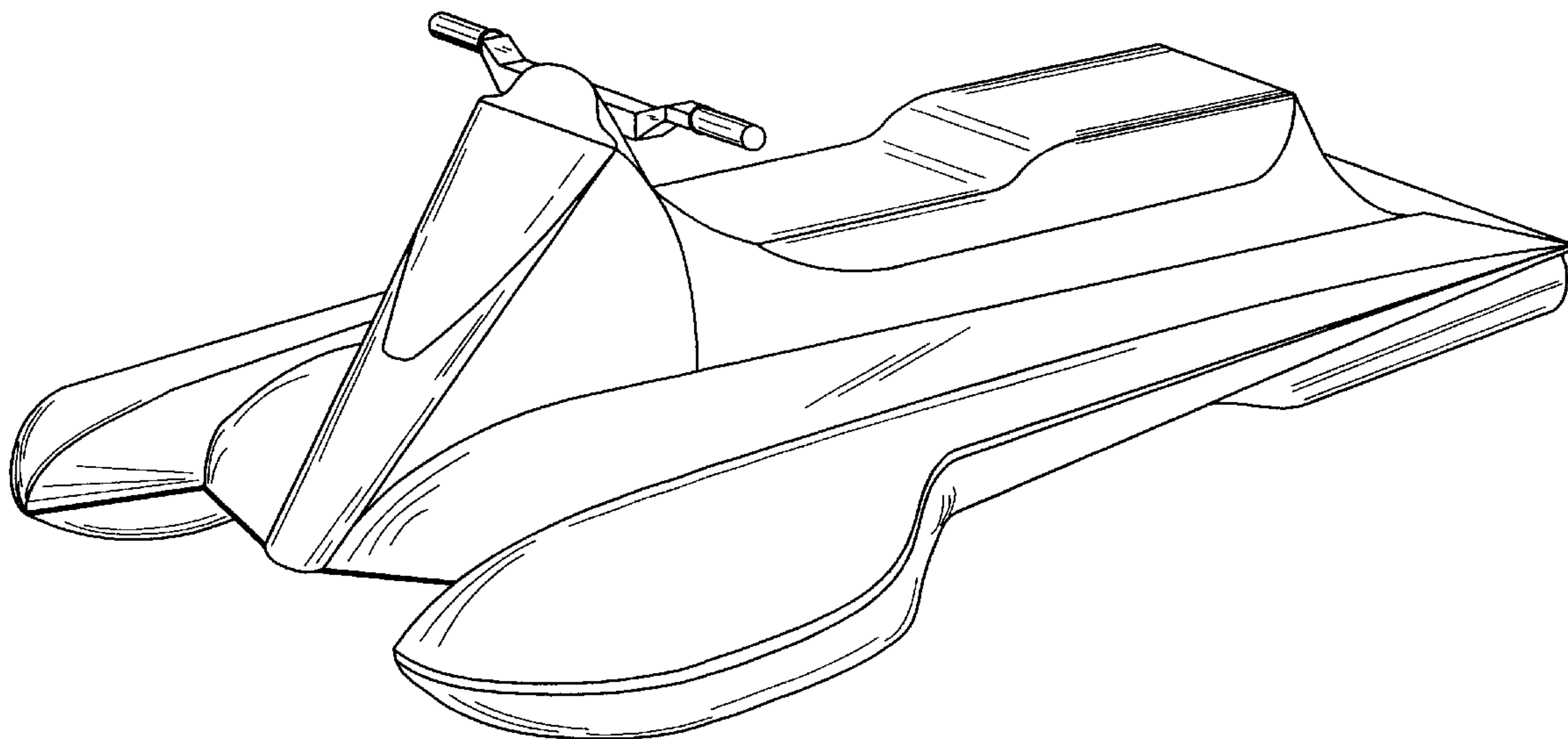
D340,221 S	*	10/1993	Krieger et al.	
D342,052 S	*	12/1993	Schoell et al.	D12/307
D350,325 S	*	9/1994	Mardikian	D12/307
D359,469 S	*	6/1995	Yoshida et al.	D12/307
5,540,174 A	*	7/1996	Kishi et al.	114/291
D444,761 S	*	7/2001	Momoi et al.	D12/307

FIG. 7 is a left side view of a personal watercraft showing my new design.

Any shading and cross-hatching are not features of the design but are utilized to illustrate the surface contours of the personal watercraft in the drawings.

\* cited by examiner

**1 Claim, 7 Drawing Sheets**



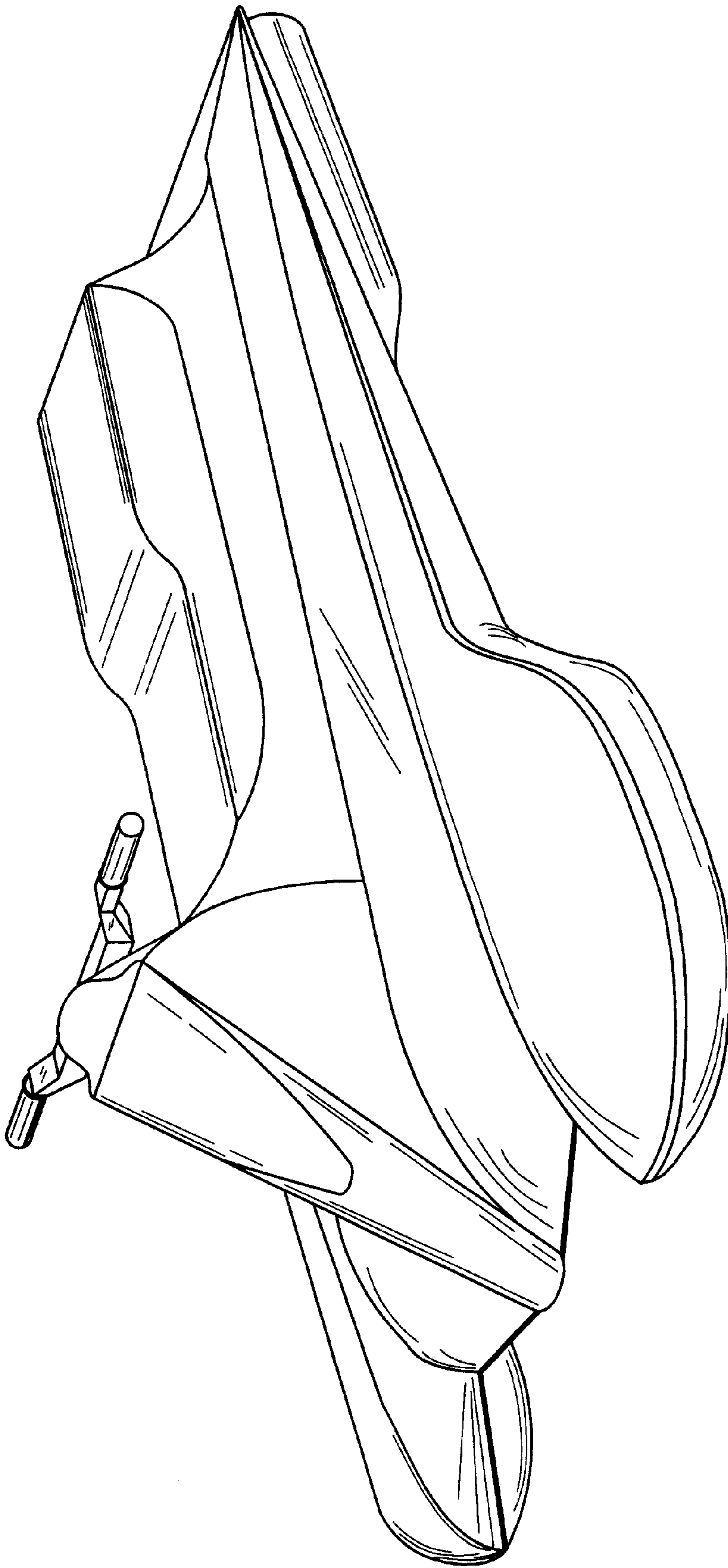


Fig. 1

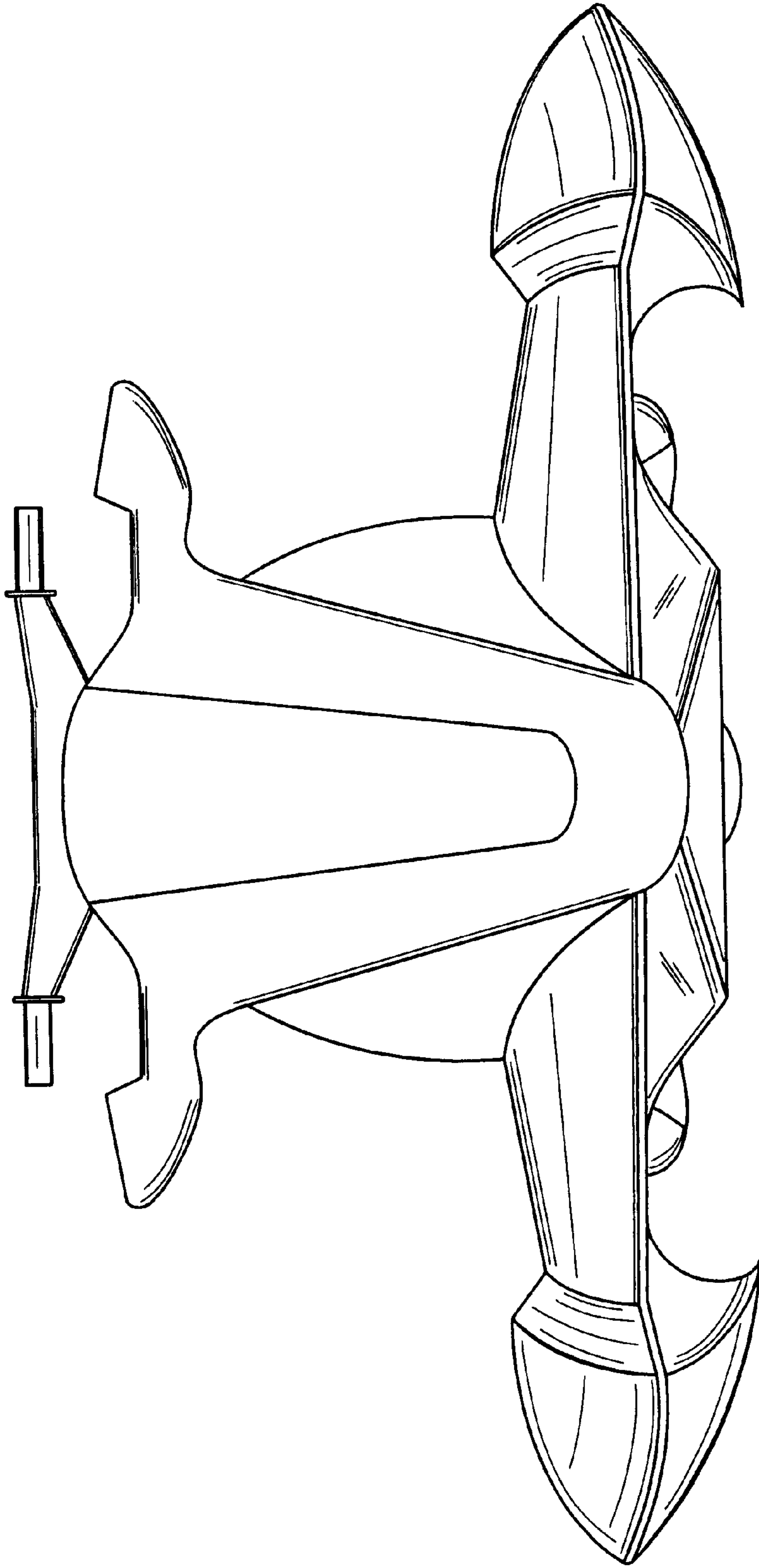


Fig. 2

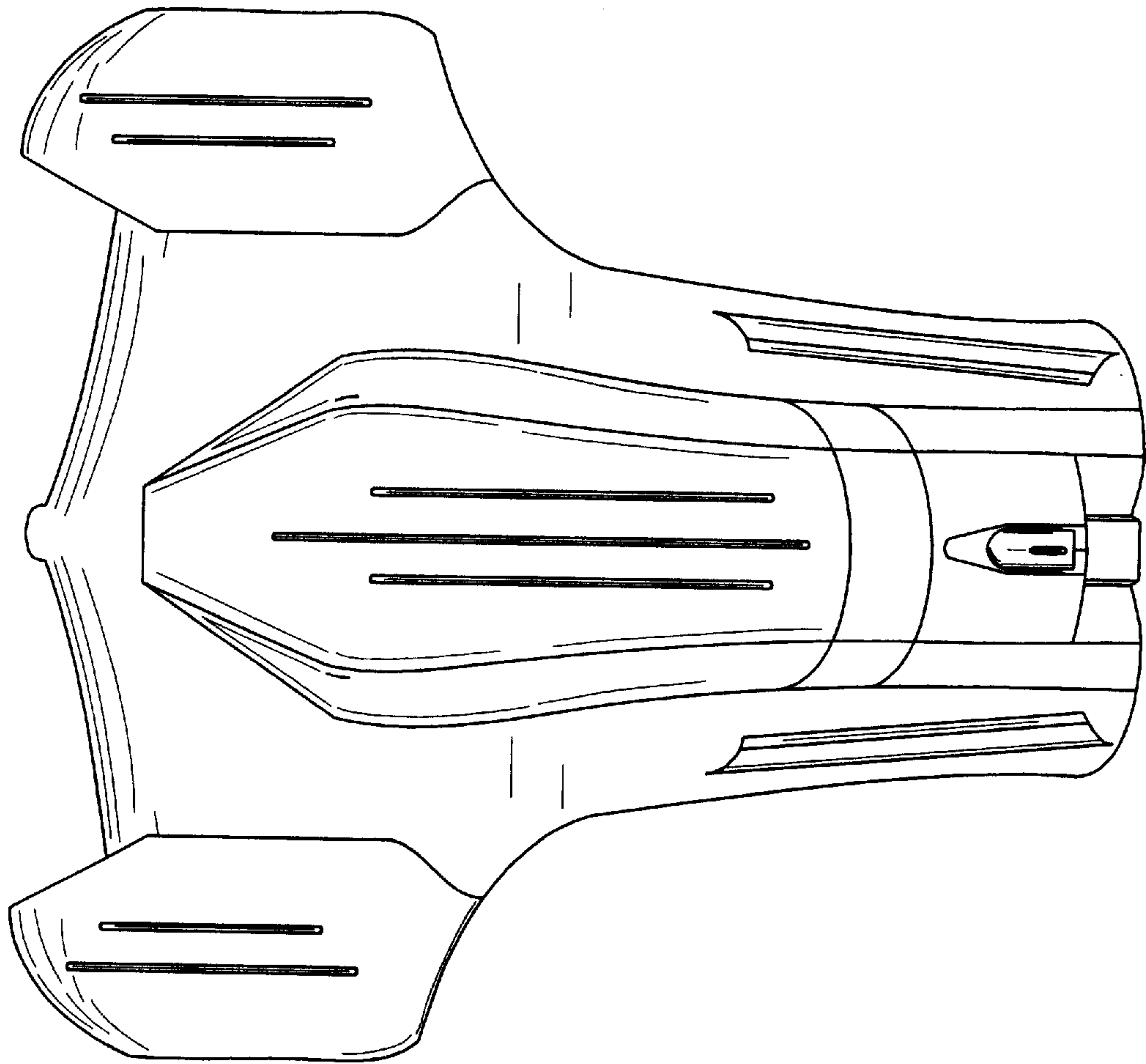


Fig. 3

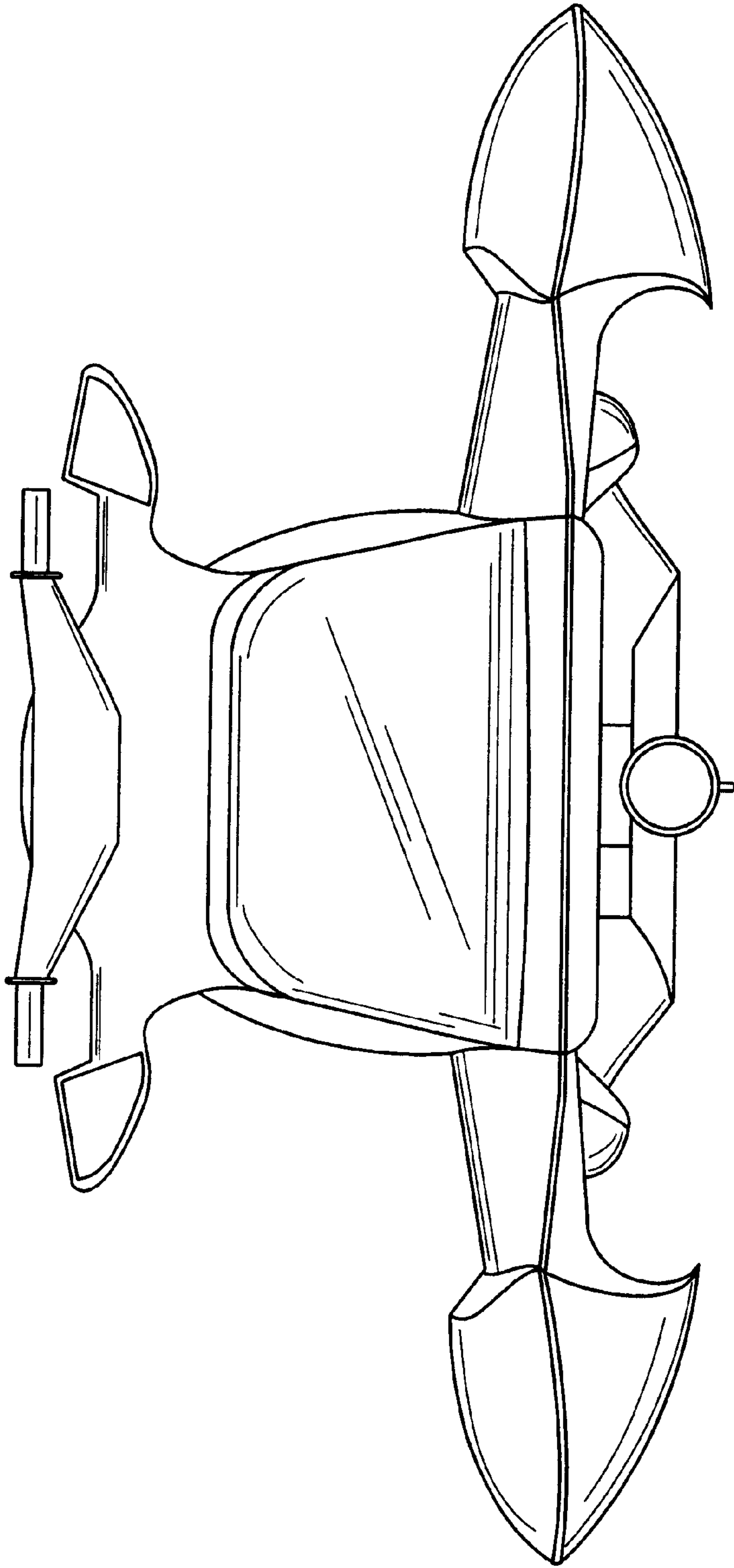


Fig. 4



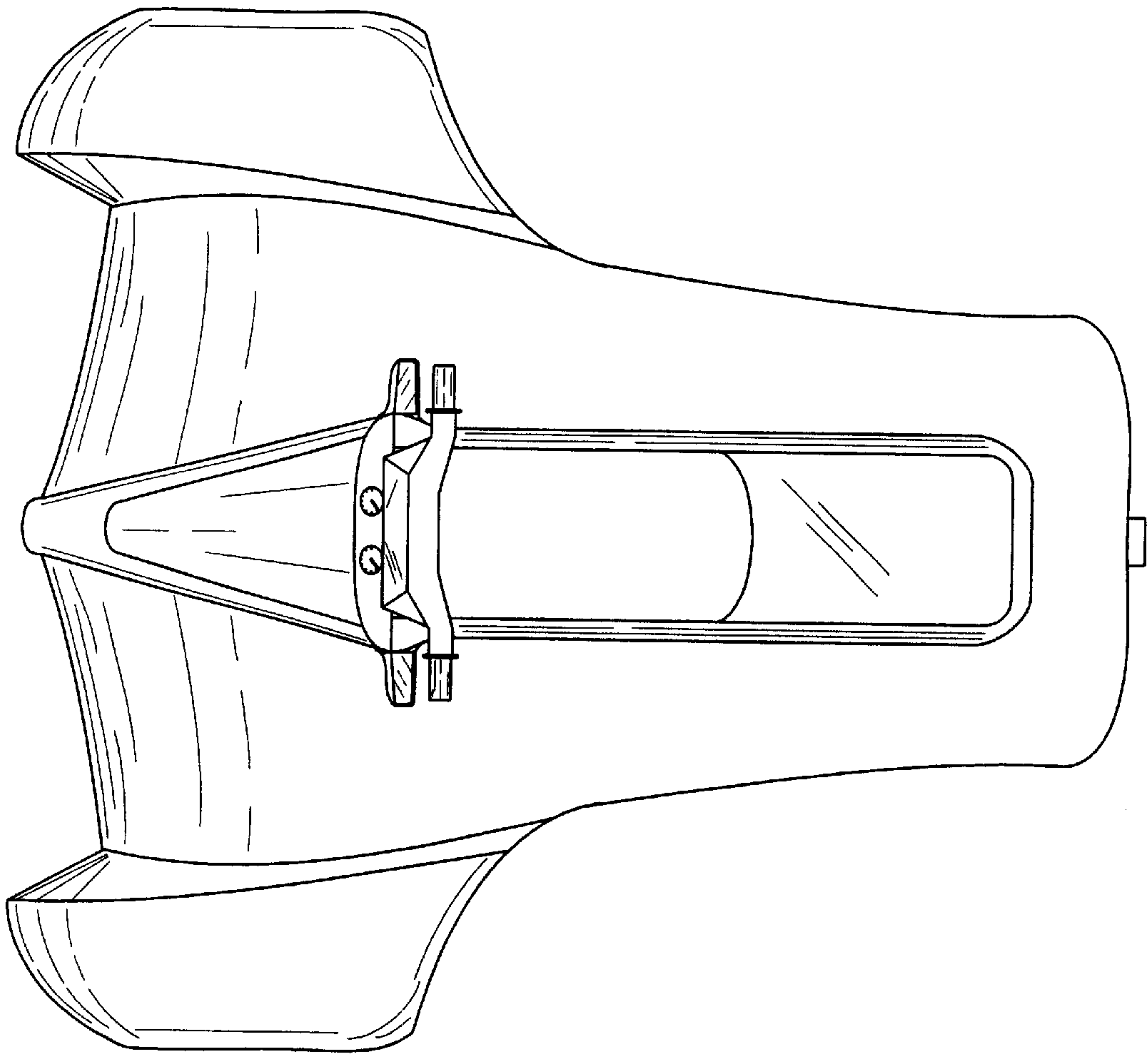


Fig. 5

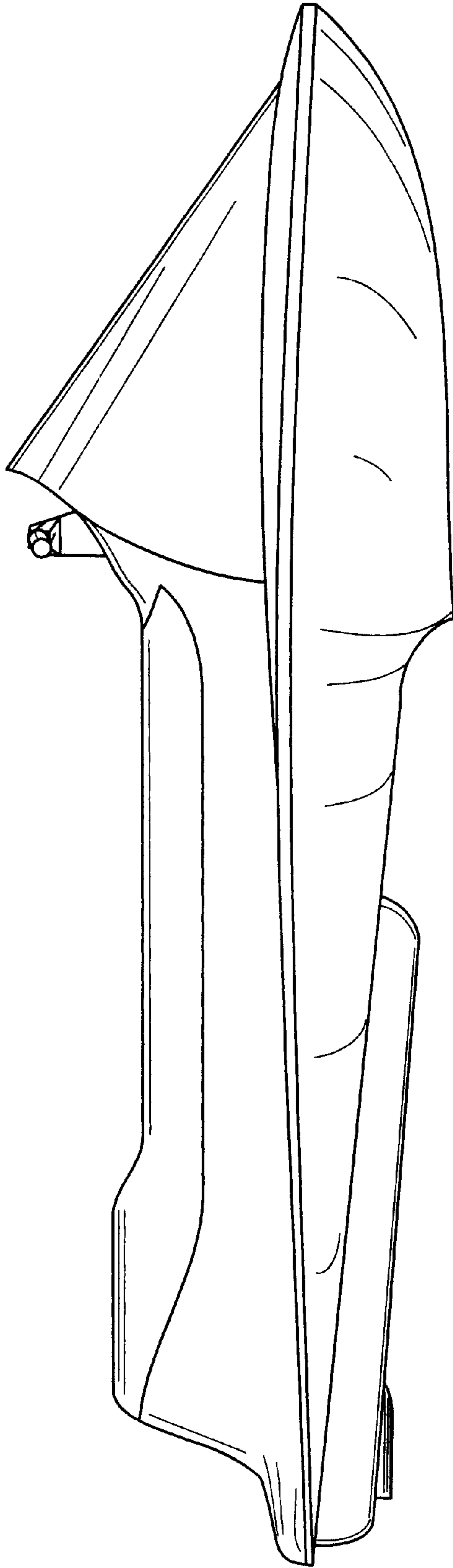


Fig. 6



Fig. 7