



US00D476938S

(12) **United States Design Patent**  
**Hatori**

(10) **Patent No.:** **US D476,938 S**

(45) **Date of Patent:** **\*\* Jul. 8, 2003**

(54) **AUTOMOTIVE TIRE WHEEL**

**FOREIGN PATENT DOCUMENTS**

(75) Inventor: **Hiroyuki Hatori**, Niizashi Saitama (JP)

JP D981075 5/1997  
JP D1118903 8/2001

(73) Assignee: **Honda Access Corp.**, Saitama (JP)

\* cited by examiner

(\*\*) Term: **14 Years**

*Primary Examiner*—Stacia Cadmus

(21) Appl. No.: **29/150,791**

(74) *Attorney, Agent, or Firm*—Armstrong, Westerman & Hattori, LLP

(22) Filed: **Nov. 30, 2001**

(57) **CLAIM**

(30) **Foreign Application Priority Data**

The ornamental design for an automotive tire wheel, as shown and described.

Aug. 7, 2001 (JP) ..... 2001-023221

**DESCRIPTION**

(51) **LOC (7) Cl.** ..... **12-16**

FIG. 1 is a perspective view of the automotive tire wheel of this application;

(52) **U.S. Cl.** ..... **D12/209**

FIG. 2 is a front view thereof;

(58) **Field of Search** ..... D12/204–211;

FIG. 3 is a rear view thereof;

301/37.101, 64.101, 65

FIG. 4 is a top view thereof;

(56) **References Cited**

FIG. 5 is a bottom view thereof;

**U.S. PATENT DOCUMENTS**

FIG. 6 is a right side view thereof; the left side view being a mirror image thereof;

D267,564 S \* 1/1983 Wright ..... D12/211

FIG. 7 is a cross-sectional view thereof taken along line 7—7 of FIG. 2;

D368,885 S \* 4/1996 Wagner ..... D12/209

FIG. 8 is a front view thereof; and,

D379,612 S \* 6/1997 Honarkhah ..... D12/209

FIG. 9 is a cross-sectional view of a spoke of the wheel taken along lines 9—9 of FIG. 8.

D383,429 S \* 9/1997 Muzzarelli et al. .... D12/211

The broken line showing of environment is for illustrative purposes only and forms no part of the claimed design.

D392,611 S \* 3/1998 Echazabal et al. .... D12/211

**1 Claim, 5 Drawing Sheets**

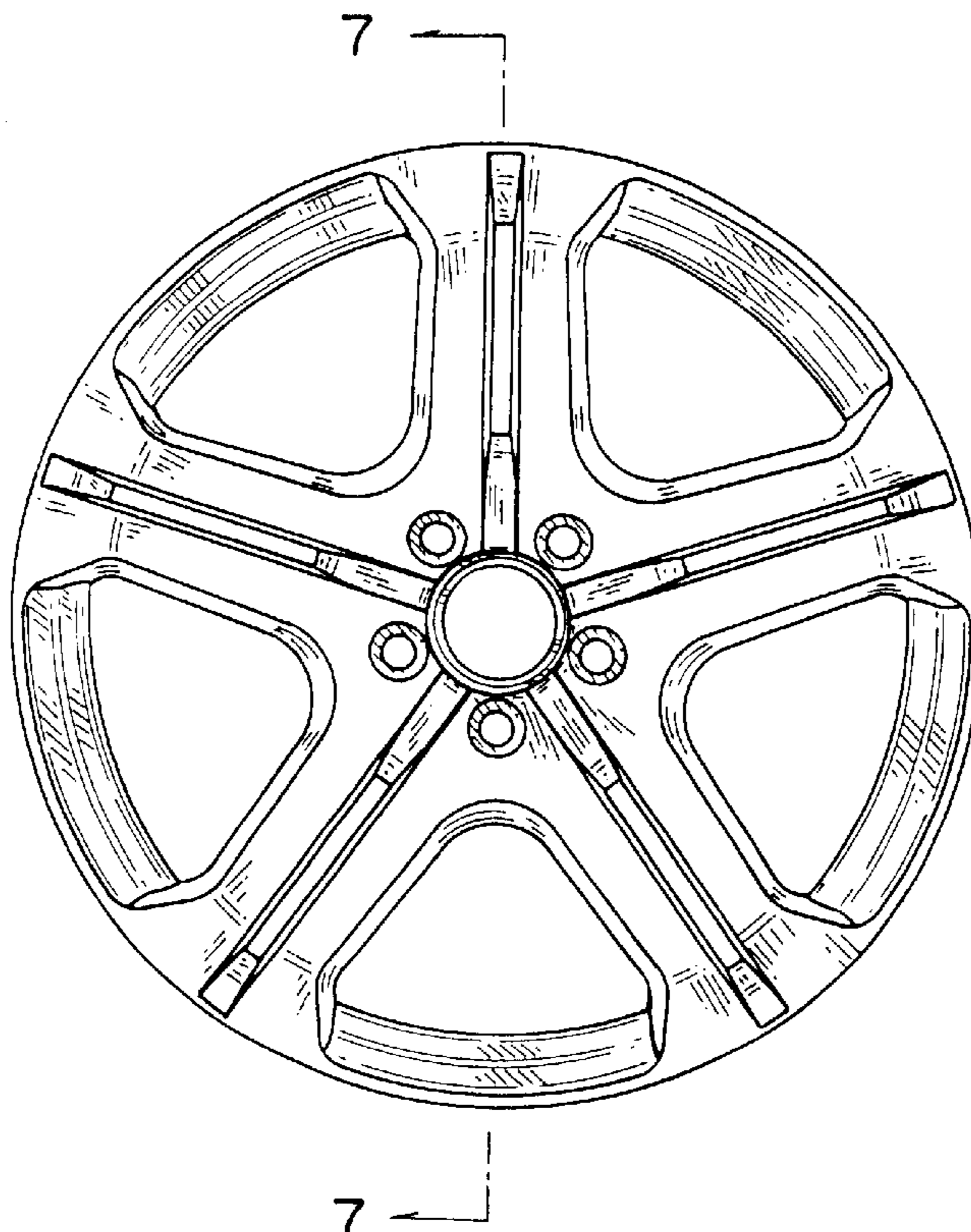
D398,573 S \* 9/1998 Cattaneo ..... D12/211

D436,339 S \* 1/2001 Fitzgerald ..... D12/209

D460,733 S \* 7/2002 Bintoro ..... D12/211

D460,941 S \* 7/2002 Muzzarelli ..... D12/211

D463,349 S \* 9/2002 Vian ..... D12/209



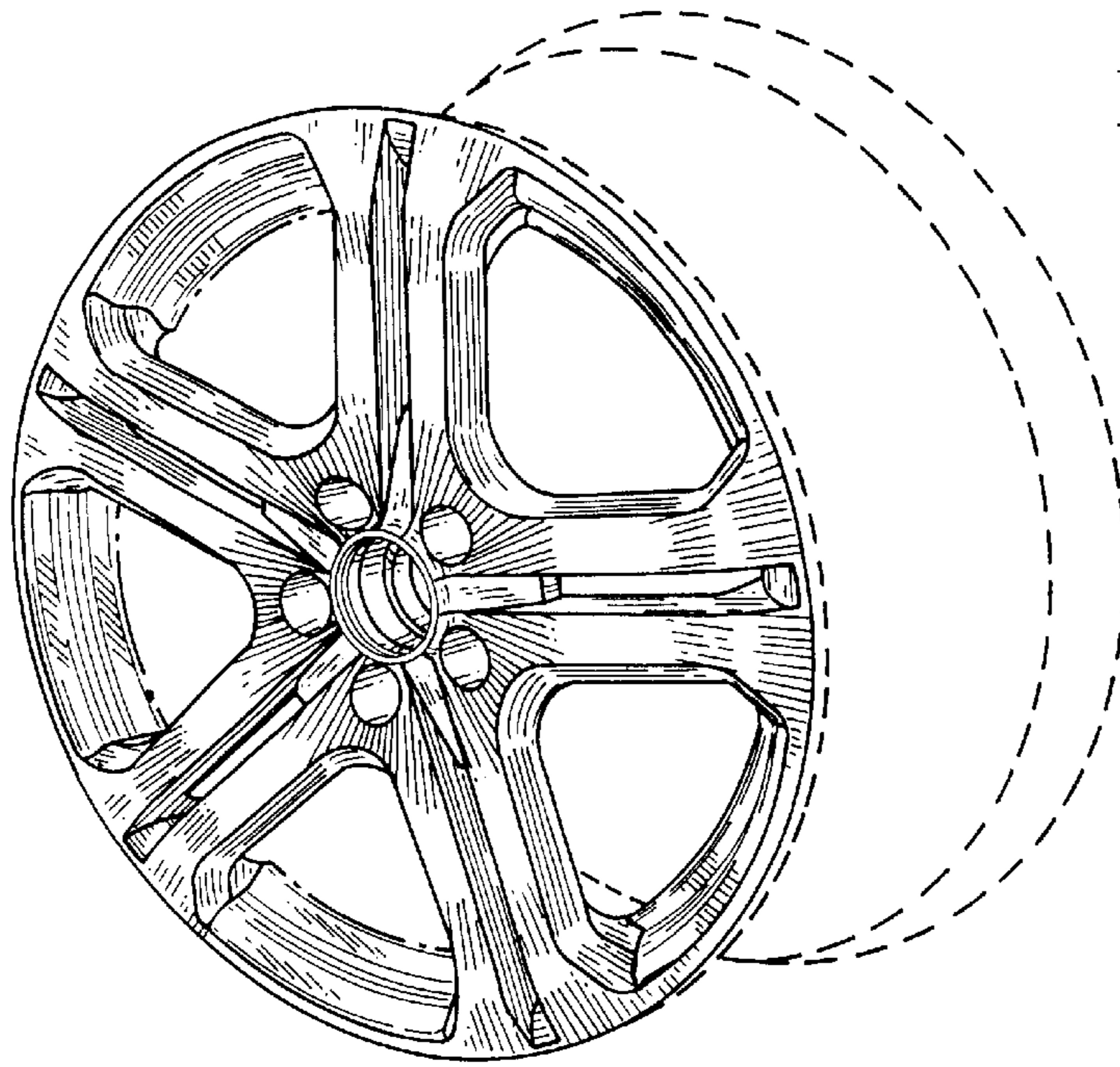


FIG. 1

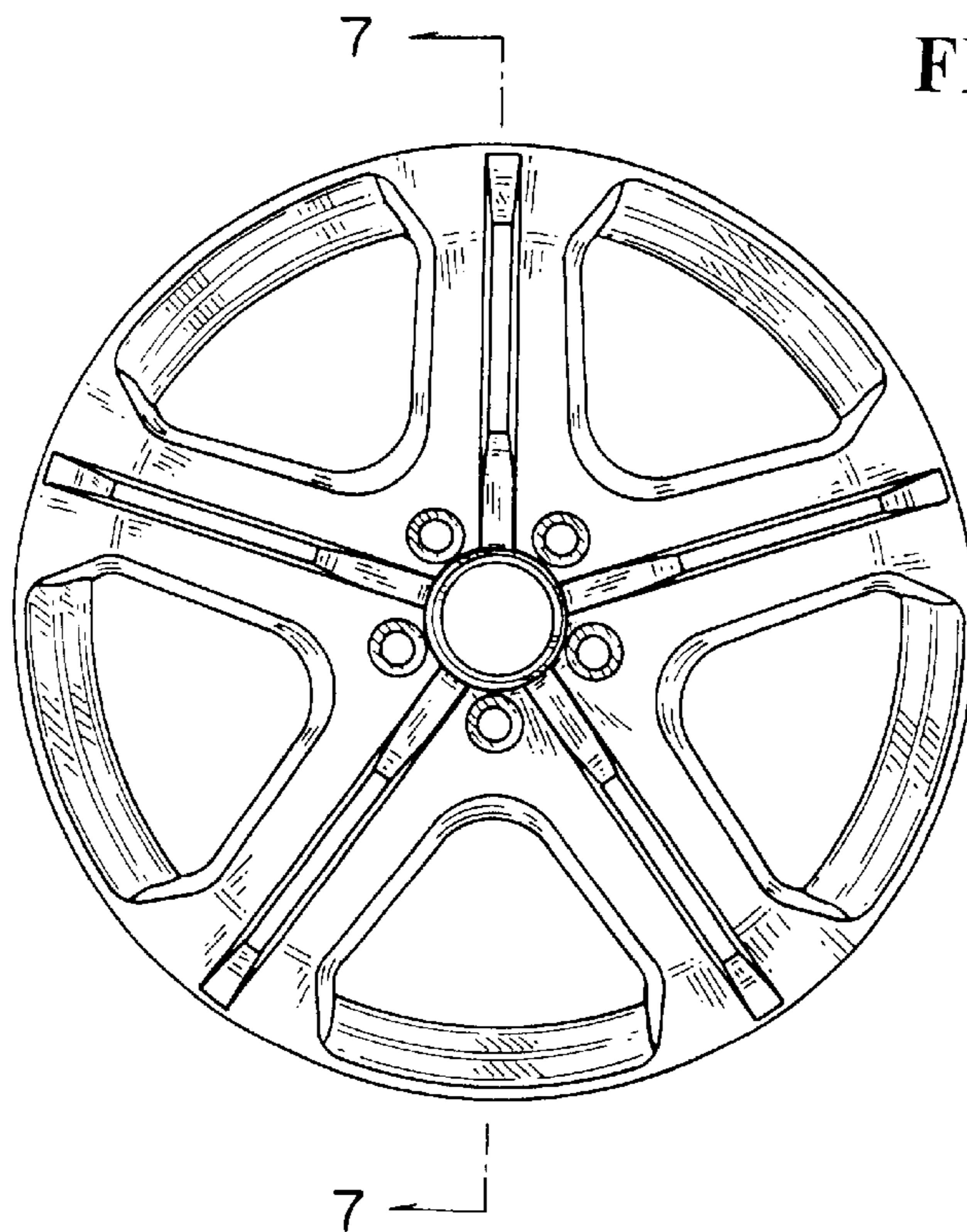


FIG. 2

FIG. 3

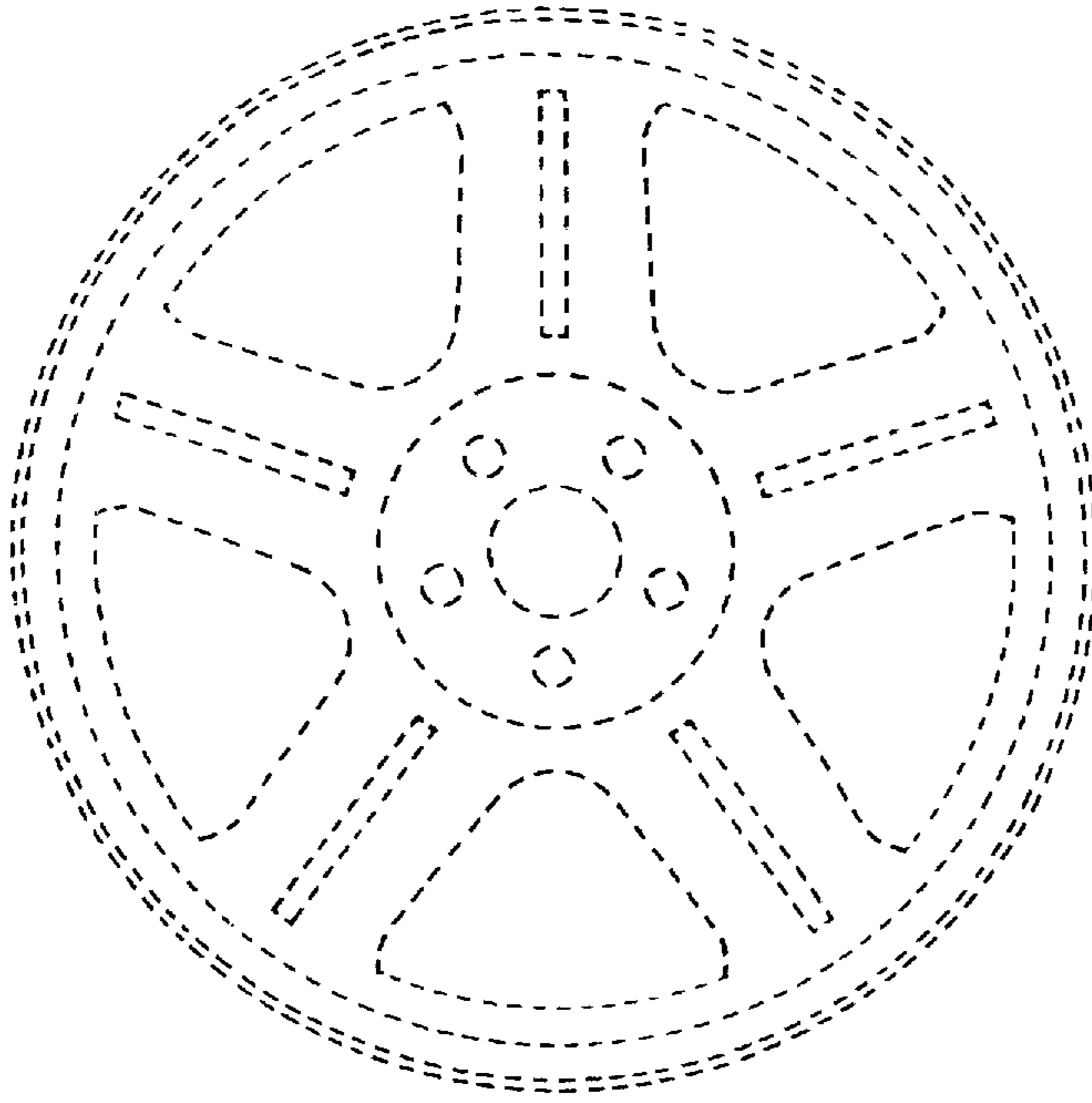


FIG. 4

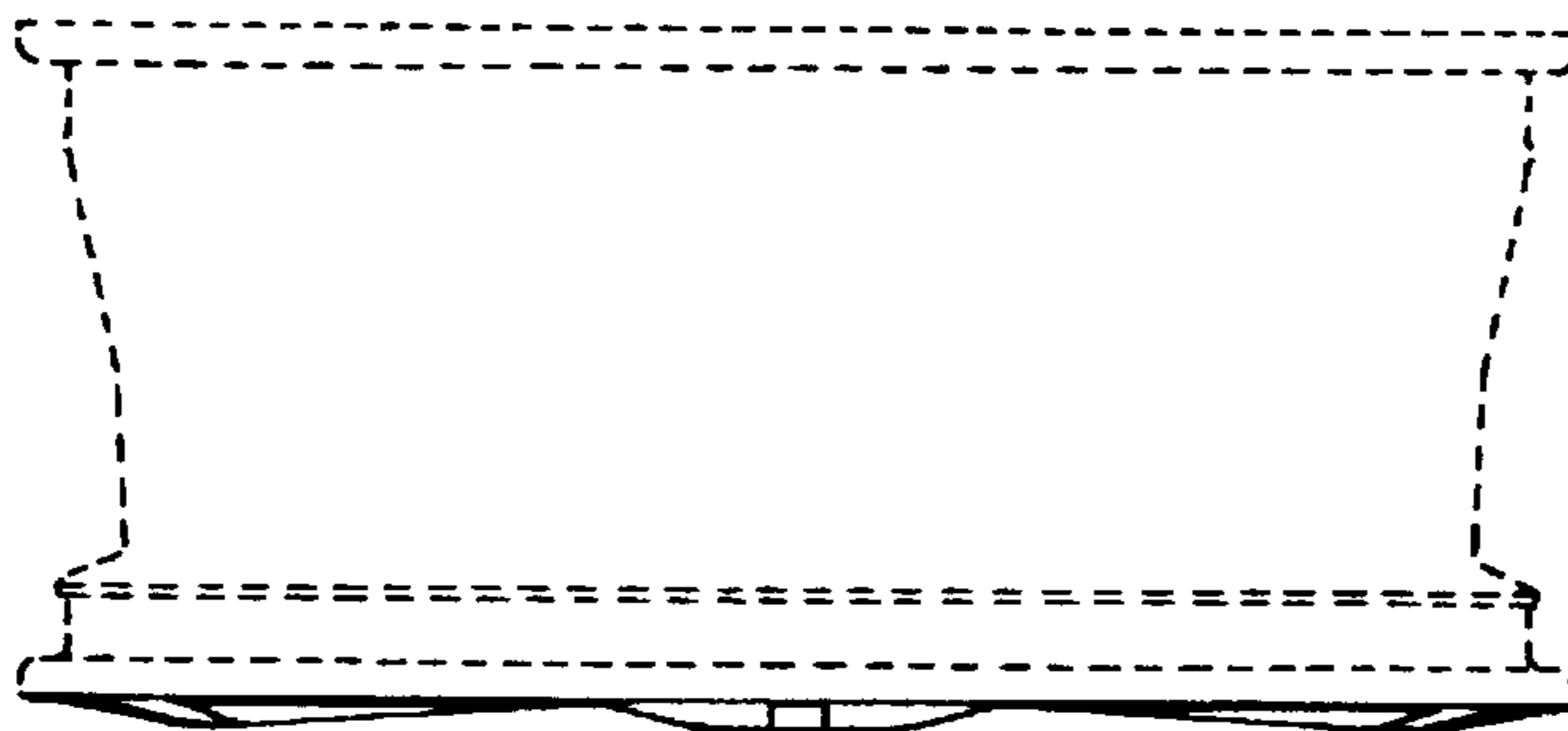


FIG. 5

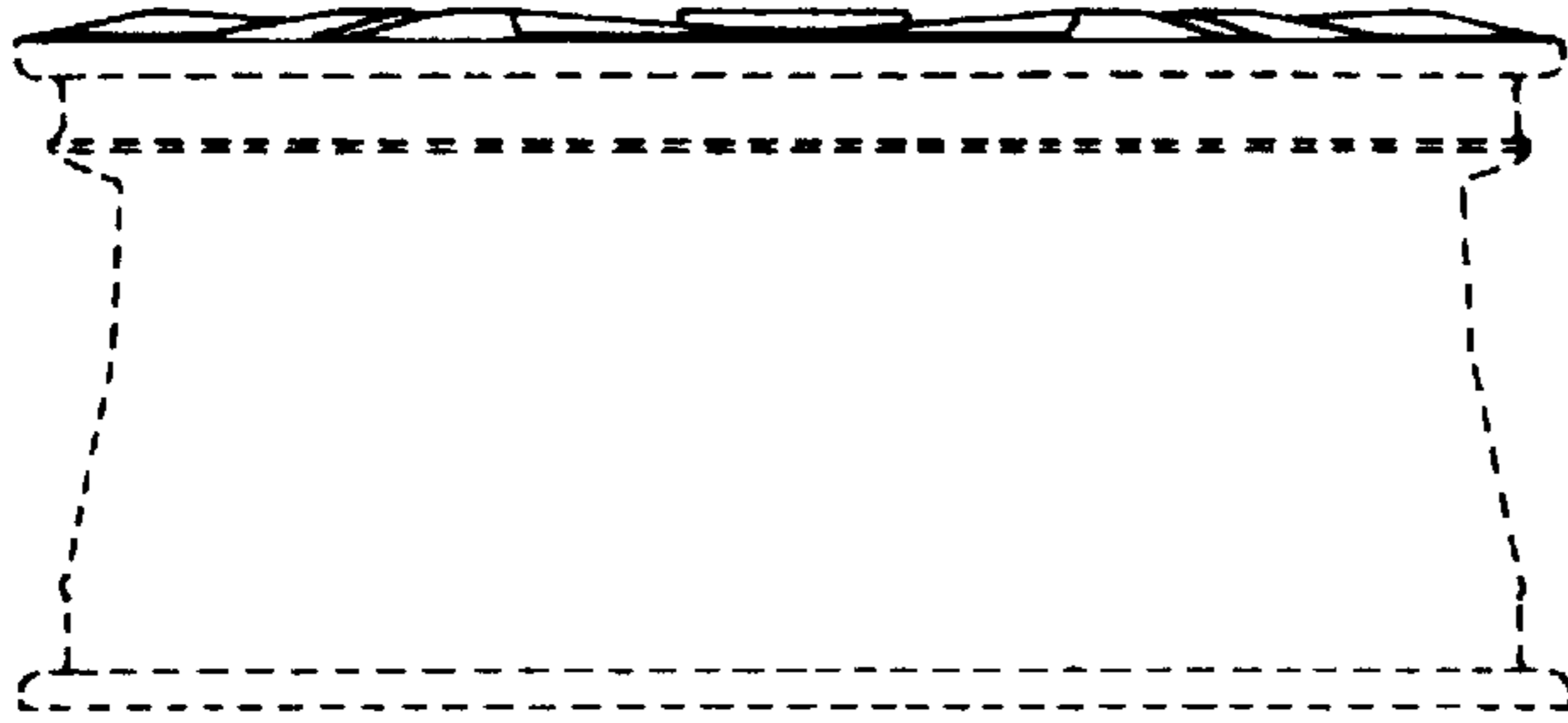
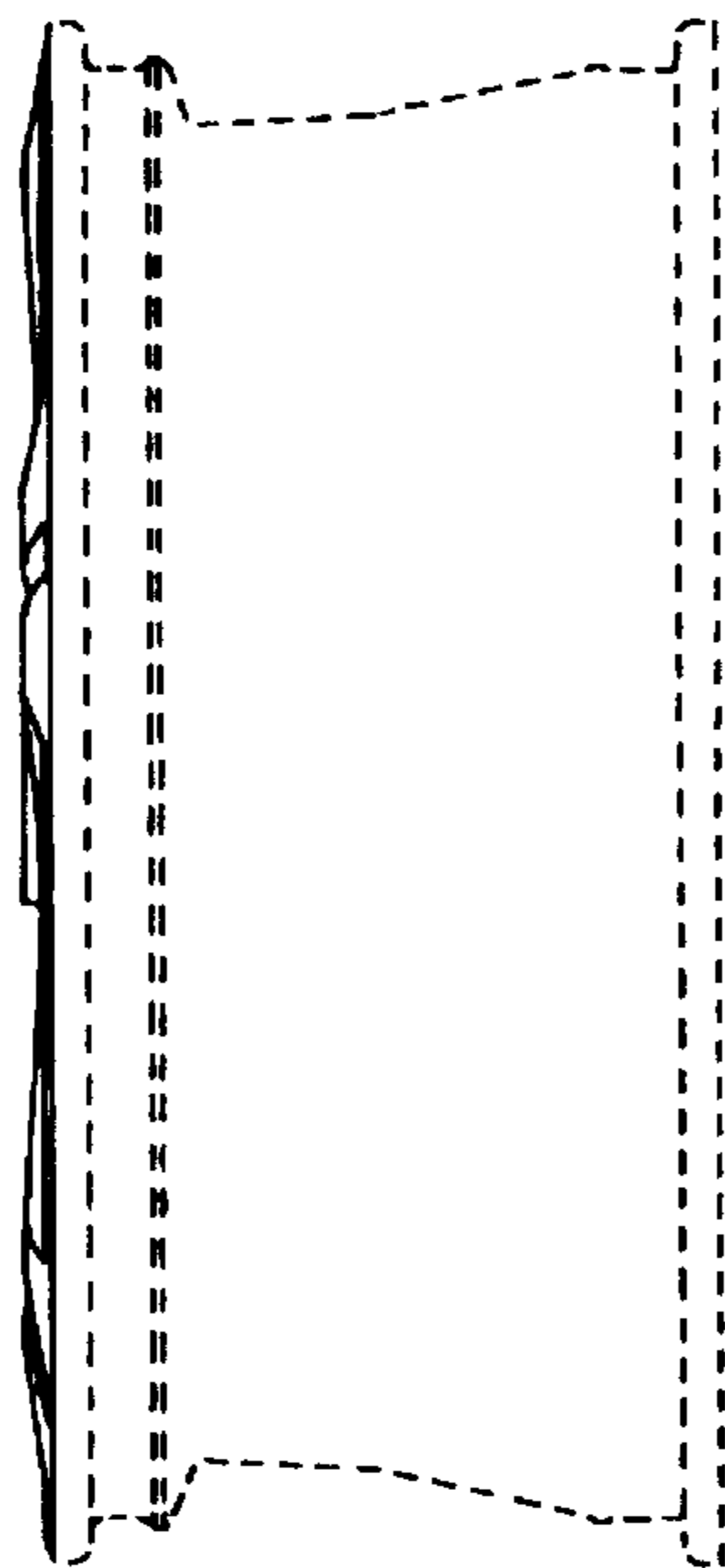


FIG. 6



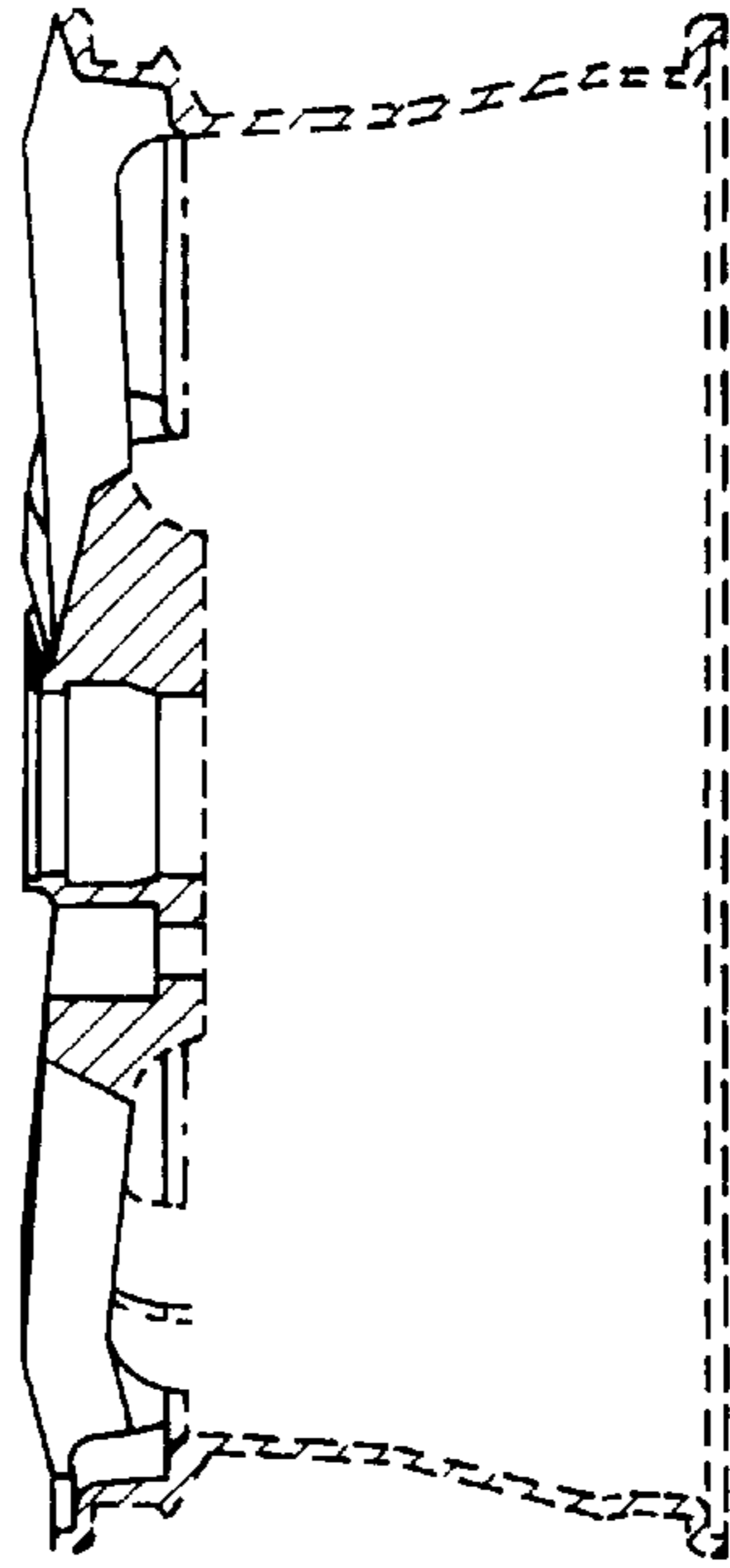


FIG. 7

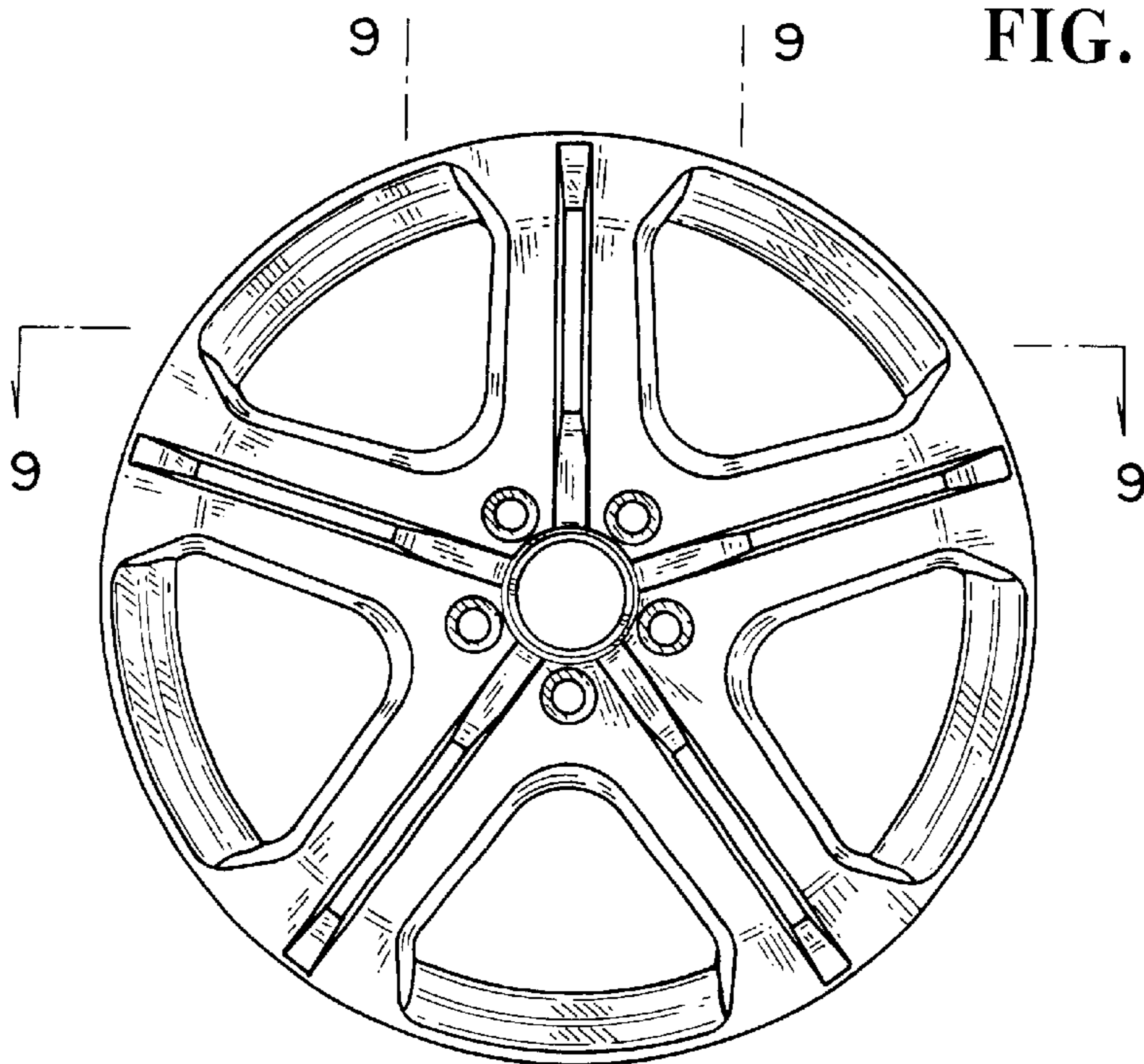


FIG. 8

**FIG. 9**

