



US00D476934S

(12) **United States Design Patent**  
**Murkett**

(10) **Patent No.:** **US D476,934 S**

(45) **Date of Patent:** **\*\* Jul. 8, 2003**

(54) **SURFACE CONFIGURATION OF A VEHICLE UNDER BODY STRUCTURE**

D435,815 S \* 1/2001 Larson ..... D12/169  
D449,838 S \* 10/2001 Rothlisberger ..... D15/4  
D449,839 S \* 10/2001 Rothlisberger ..... D15/4  
D460,022 S \* 7/2002 Hsu et al. .... D12/91

(75) Inventor: **Stephen Murkett**, Gerlingen (DE)

\* cited by examiner

(73) Assignee: **Dr. Ing. h.c.F Porsche Aktiengesellschaft**, Stuttgart (DE)

*Primary Examiner*—Melody N. Brown

(\*\*) Term: **14 Years**

(74) *Attorney, Agent, or Firm*—Crowell & Moring LLP

(21) Appl. No.: **29/167,599**

(57) **CLAIM**

(22) Filed: **Sep. 18, 2002**

The ornamental design for a surface configuration of a vehicle under body structure, as shown and described.

(30) **Foreign Application Priority Data**

**DESCRIPTION**

Mar. 19, 2002 (DE) ..... 4 02 02 614

(51) **LOC (7) Cl.** ..... **12-16**

(52) **U.S. Cl.** ..... **D12/196**

(58) **Field of Search** ..... D12/196, 90-92;  
296/185

FIG. 1 is a perspective view of a surface configuration of a vehicle under body structure according to my novel design; and,

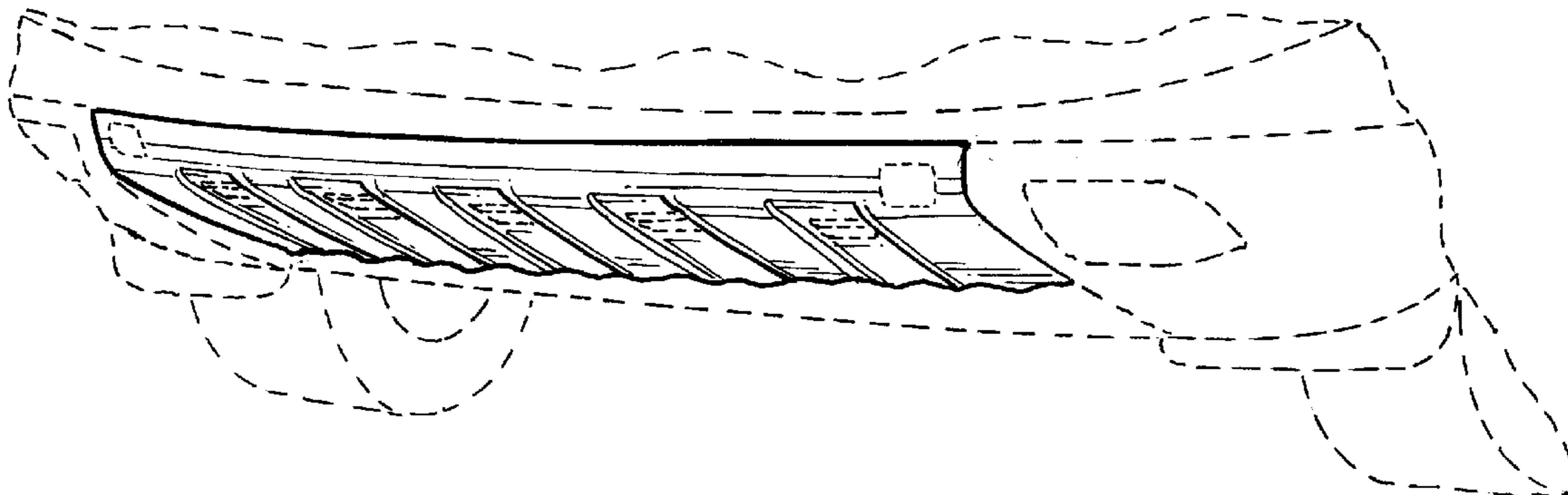
FIG. 2 is a front view of the surface configuration of a vehicle under body structure according to my novel design. The broken lines included in the drawings depict environment and are not part of the claimed design.

(56) **References Cited**

**U.S. PATENT DOCUMENTS**

D422,533 S \* 4/2000 Uematsu et al. .... D12/91

**1 Claim, 1 Drawing Sheet**



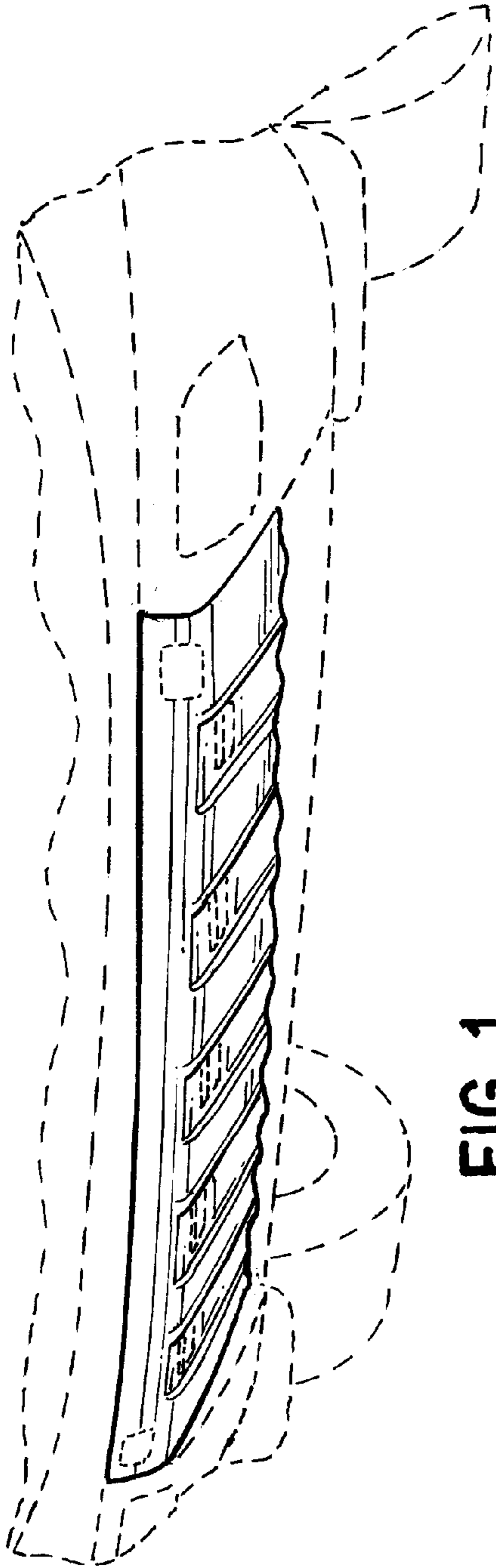


FIG. 1

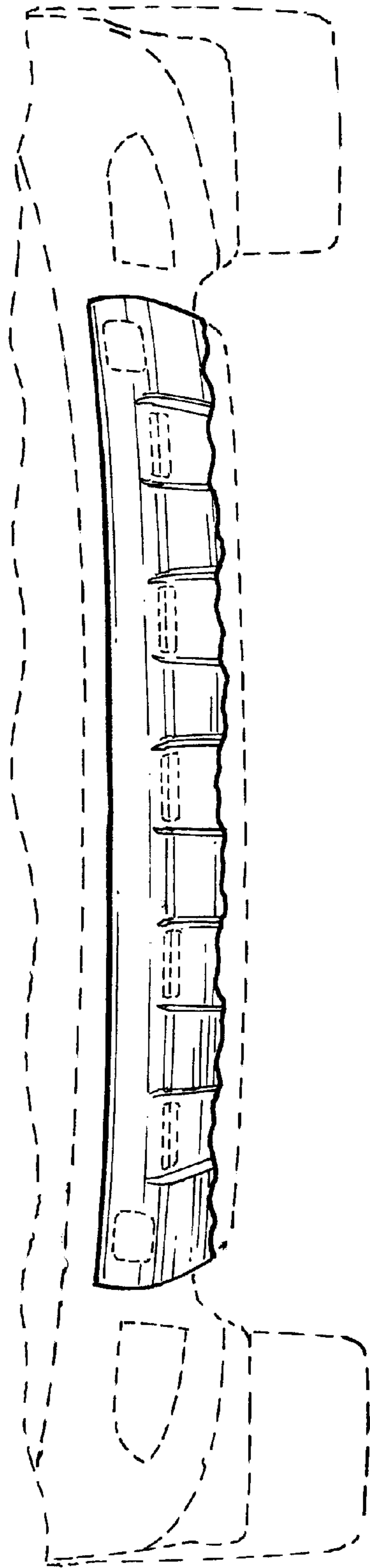


FIG. 2