



US00D476931S

(12) **United States Design Patent**
Fishburn et al.

(10) **Patent No.:** **US D476,931 S**

(45) **Date of Patent:** **** Jul. 8, 2003**

(54) **TONE WHEEL**

(75) Inventors: **Keith Fishburn**, Berea, OH (US);
Rudy J. Heimann, Jr., Brunswick, OH
(US); **Michael G. Nejman**, Avon, OH
(US)

(73) Assignee: **A. J. Rose Manufacturing Co.**, Avon,
OH (US)

(**) Term: **14 Years**

(21) Appl. No.: **29/163,646**

(22) Filed: **Jul. 10, 2002**

(51) **LOC (7) Cl.** **12-16**

(52) **U.S. Cl.** **D12/180**

(58) **Field of Search** D12/180; 188/72.2,
188/73.31; 324/166, 174, 208, 207.12, 207.15,
207.22-207.25; 384/448, 446; 310/156,
168

(56) **References Cited**

U.S. PATENT DOCUMENTS

4,940,937 A * 7/1990 Hattori et al. 324/207.22

5,850,141 A * 12/1998 Adler 324/174

6,218,827 B1 * 4/2001 Ohmi et al. 324/174

6,329,814 B1 * 12/2001 Ichiman et al. 324/207.22

D467,530 S * 12/2002 Ioka et al. D12/180

* cited by examiner

Primary Examiner—Melody N. Brown

(74) *Attorney, Agent, or Firm*—Pearne & Gordon LLP

(57) **CLAIM**

The ornamental design for a tone wheel, as shown and described.

DESCRIPTION

FIG. 1 is a front perspective view of a tone wheel showing my new design;

FIG. 2 is a rear perspective view thereof;

FIG. 3 is a rear elevational view thereof;

FIG. 4 is a side elevational view thereof; and,

FIG. 5 is a front elevational view thereof.

1 Claim, 2 Drawing Sheets

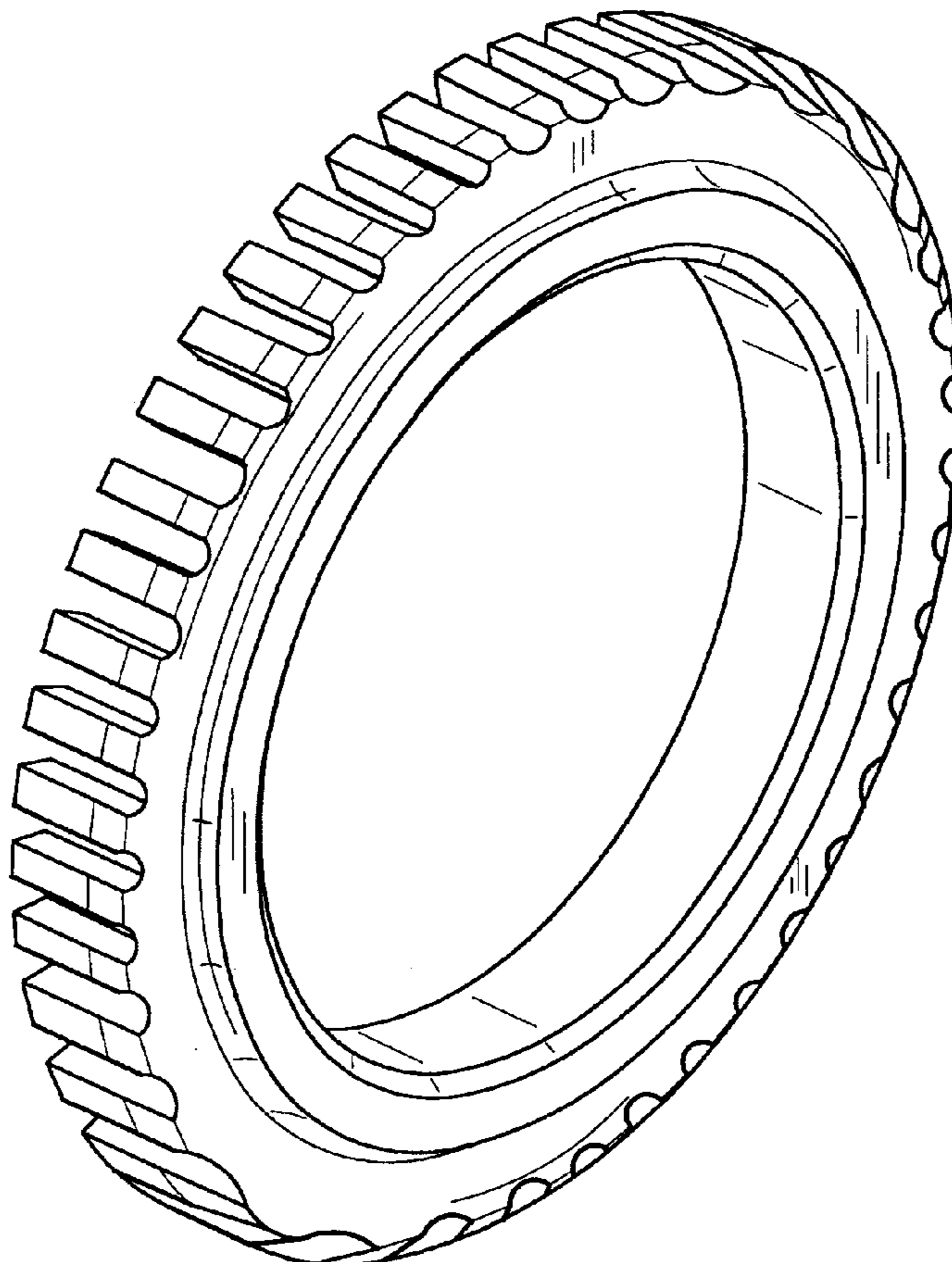


FIG. 1

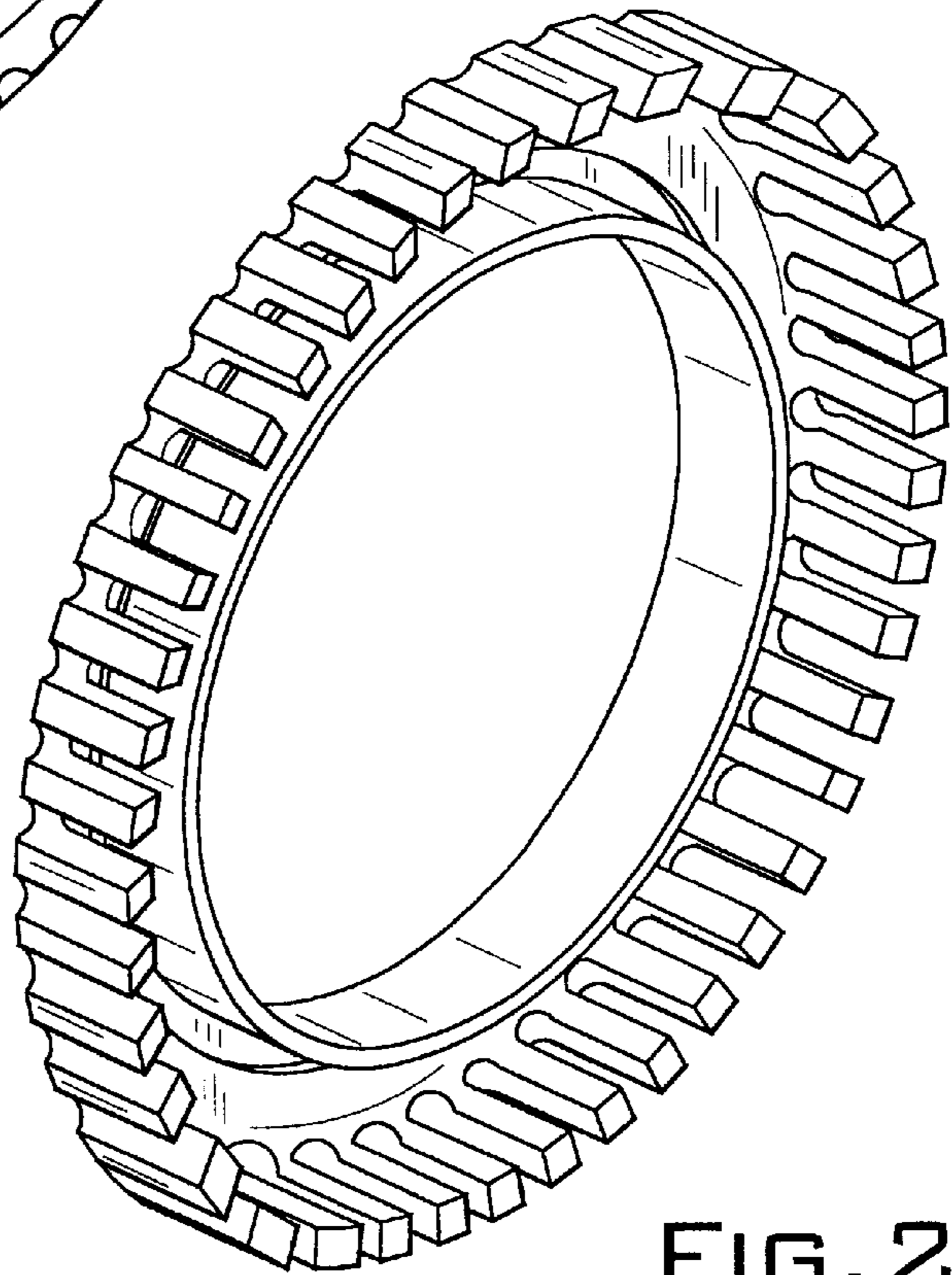
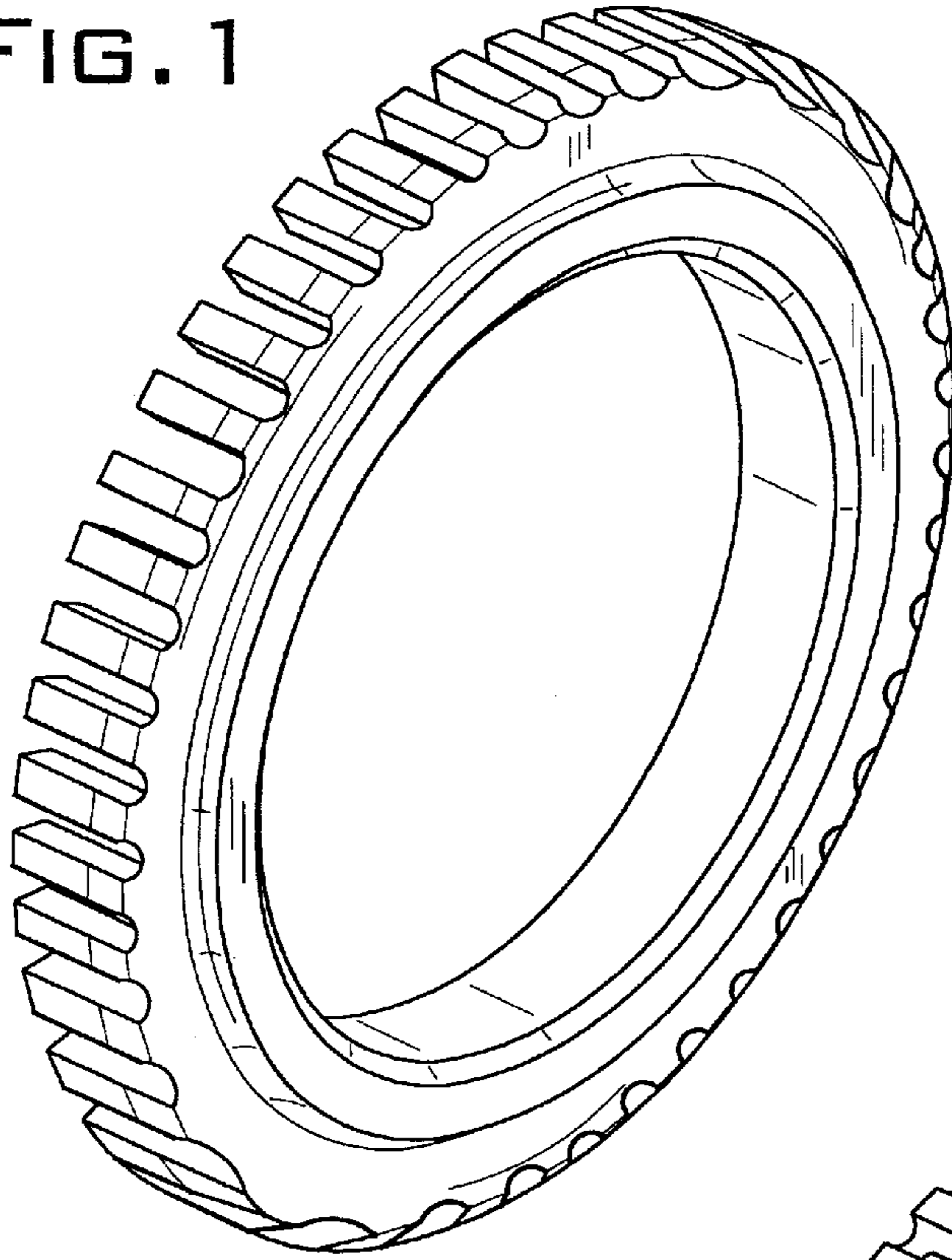


FIG. 2

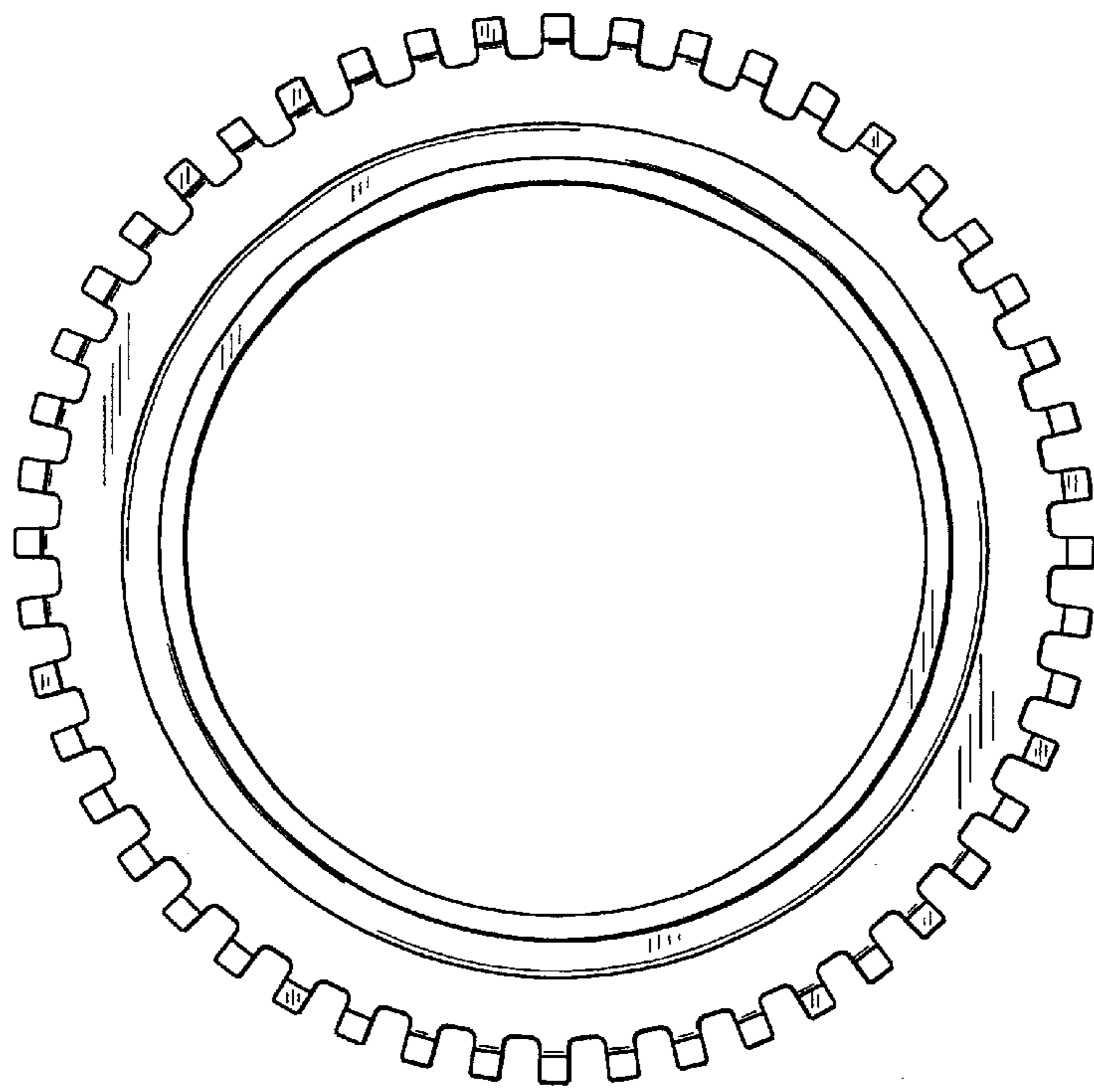


FIG. 3

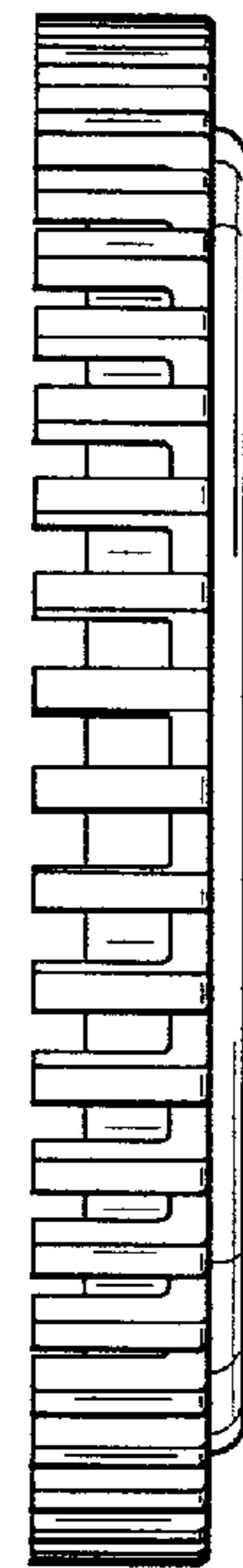


FIG. 4

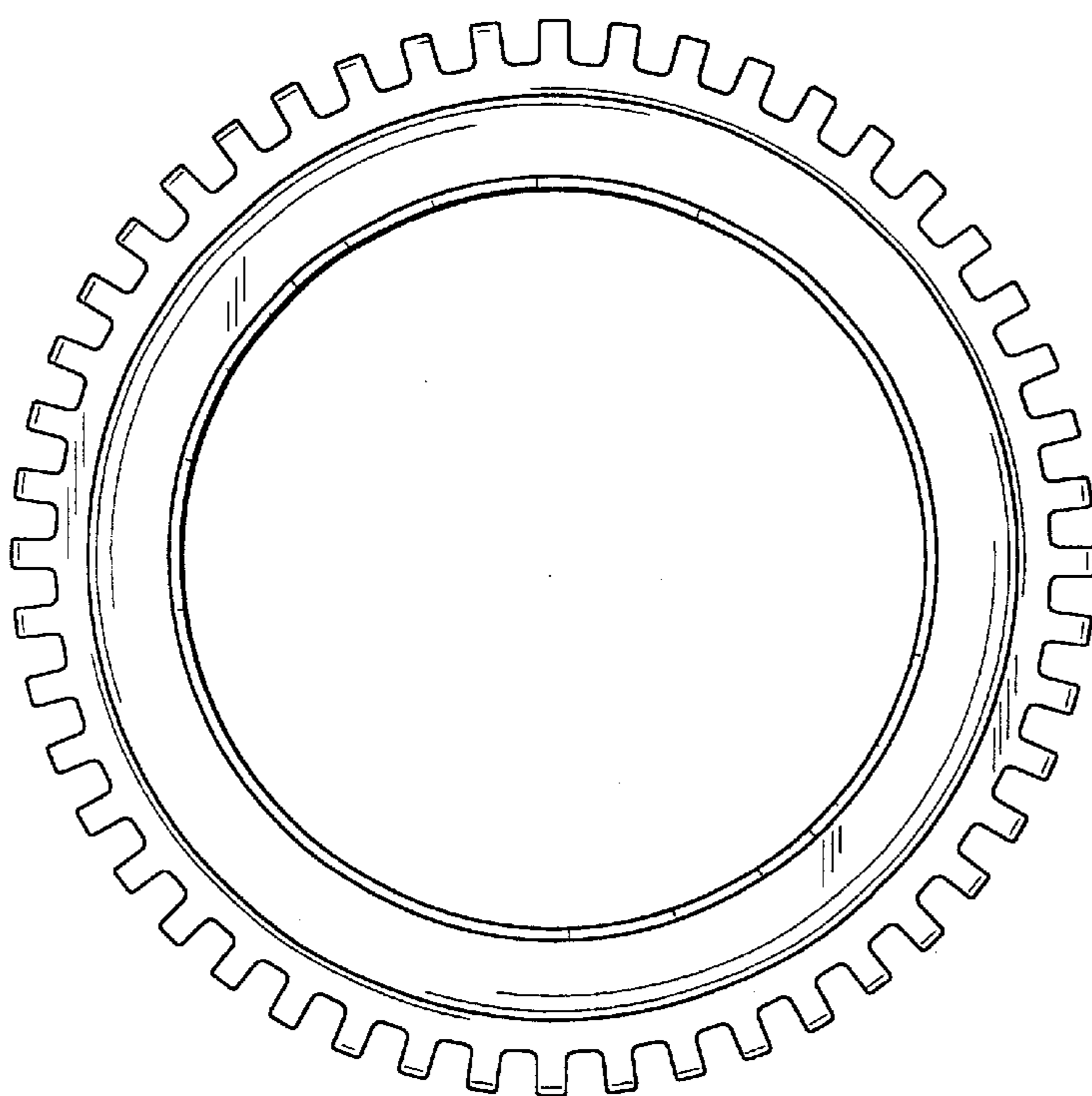


FIG. 5