



US00D476929S

(12) **United States Design Patent**
Dozier et al.

(10) **Patent No.:** **US D476,929 S**

(45) **Date of Patent:** **** Jul. 8, 2003**

(54) **BUMPER FOR A TRUCK VEHICLE**

(75) Inventors: **C. Michael Dozier**, Carrollton, TX (US); **Rob A. Cook**, Dutton, MT (US); **John H. Waskow**, Keller, TX (US); **Eric N. Tucker**, Denton, TX (US); **Joseph F. Marrs**, Aubrey, TX (US)

(73) Assignee: **Paccar Inc**, Bellevue, WA (US)

(**) Term: **14 Years**

(21) Appl. No.: **29/172,008**

(22) Filed: **Dec. 4, 2002**

Related U.S. Application Data

(62) Division of application No. 29/157,169, filed on Mar. 13, 2002.

(51) **LOC (7) Cl.** **12-16**

(52) **U.S. Cl.** **D12/169**

(58) **Field of Search** D12/169, 196, D12/96, 93; 296/180.1, 180.2; 293/102, 113, 115, 117, 120

(56) **References Cited**

U.S. PATENT DOCUMENTS

D423,429 S * 4/2000 Hickman et al. D12/169

D458,565 S * 6/2002 Maher et al. D12/169
D460,030 S * 7/2002 Duckett et al. D12/169
D462,304 S * 9/2002 Lew et al. D12/169
D466,847 S * 12/2002 Waskow et al. D12/181

* cited by examiner

Primary Examiner—Melody N. Brown

(74) *Attorney, Agent, or Firm*—Sidley Austin Brown & Wood LLP

(57) **CLAIM**

The ornamental design for a bumper for a truck vehicle, as shown and described.

DESCRIPTION

FIG. 1 is a perspective view of a bumper for a truck vehicle showing our new design;

FIG. 2 is a second perspective view thereof;

FIG. 3 is a front view thereof;

FIG. 4 is a side view thereof;

FIG. 5 is an opposite side view thereof;

FIG. 6 is a rear view thereof;

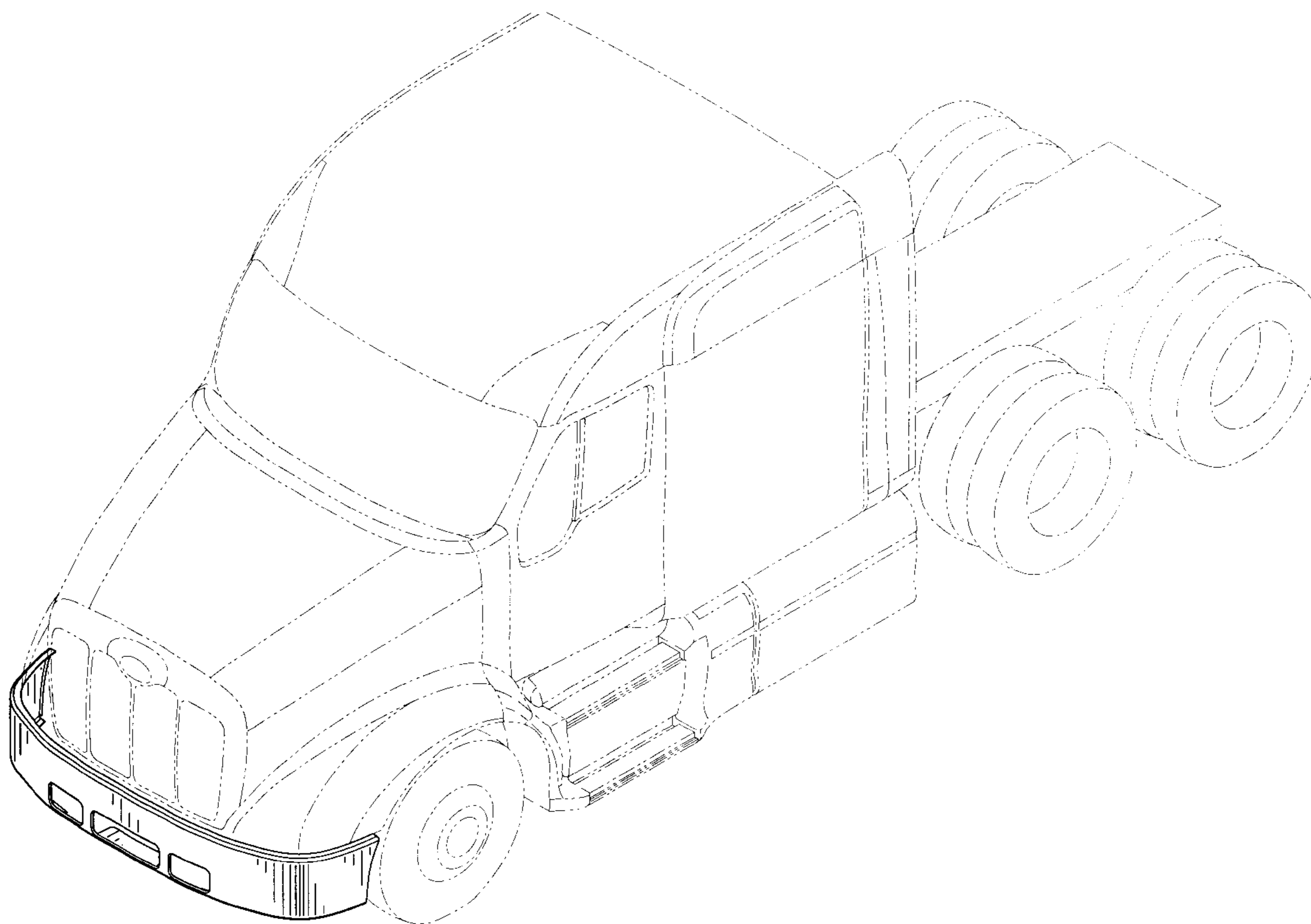
FIG. 7 is a top view thereof;

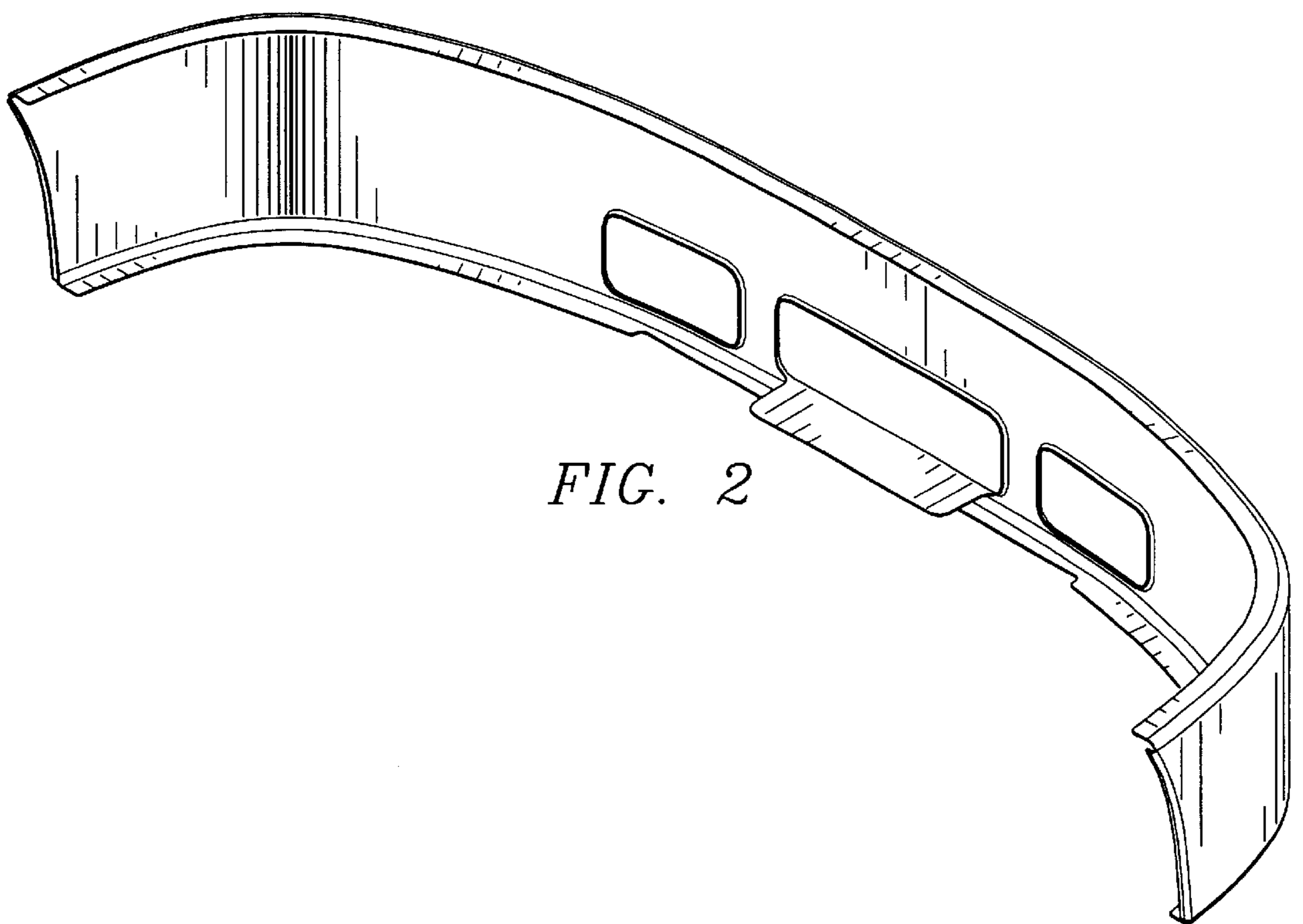
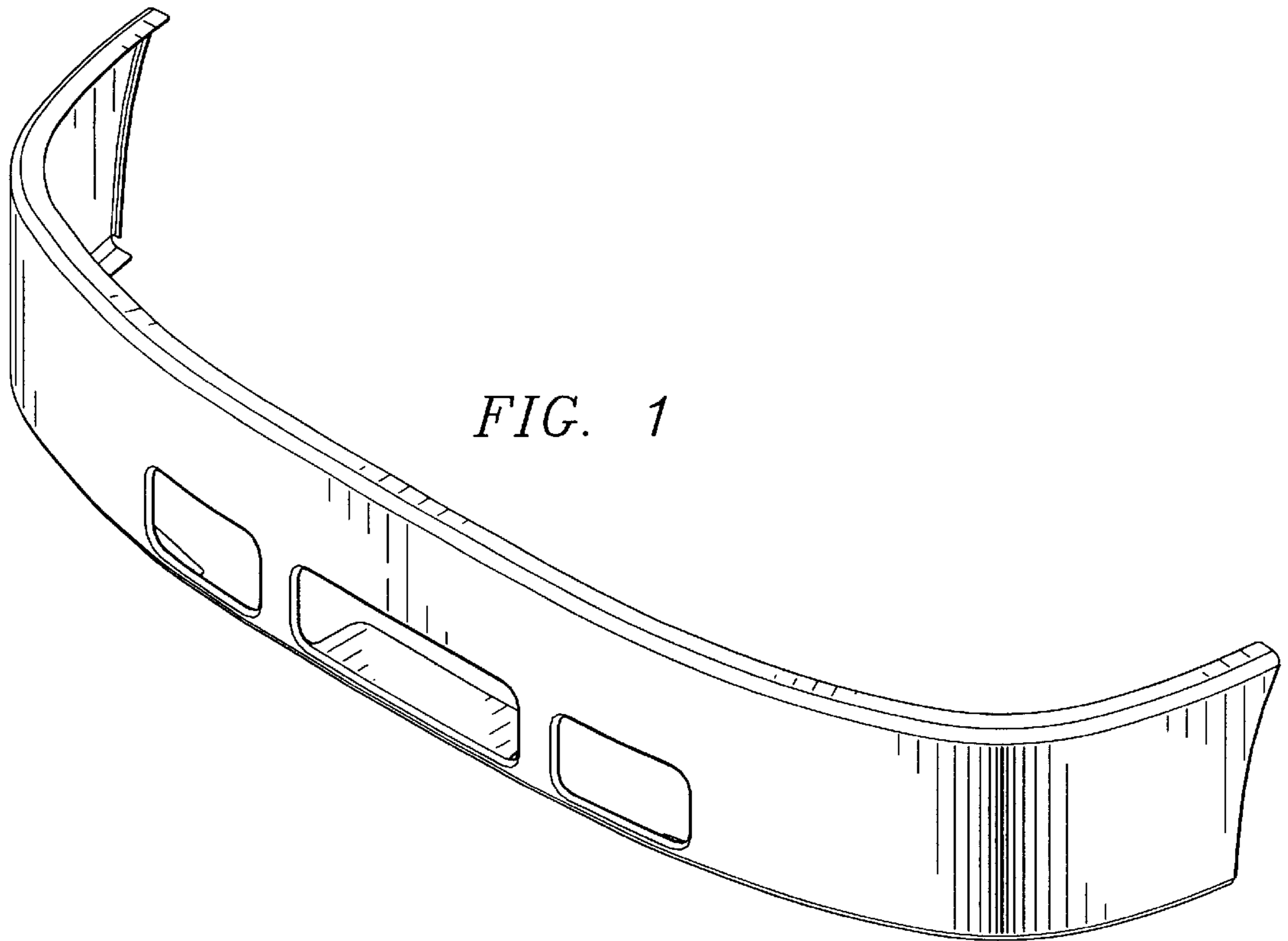
FIG. 8 is a bottom view thereof; and,

FIG. 9 is a third perspective view thereof.

Parts shown in broken lines are for illustrative purposes only and form no part of the claimed design.

1 Claim, 4 Drawing Sheets





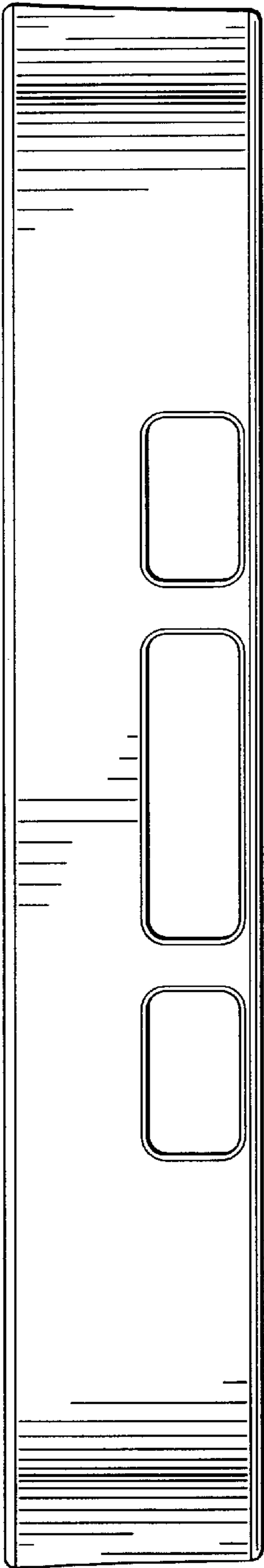


FIG. 3

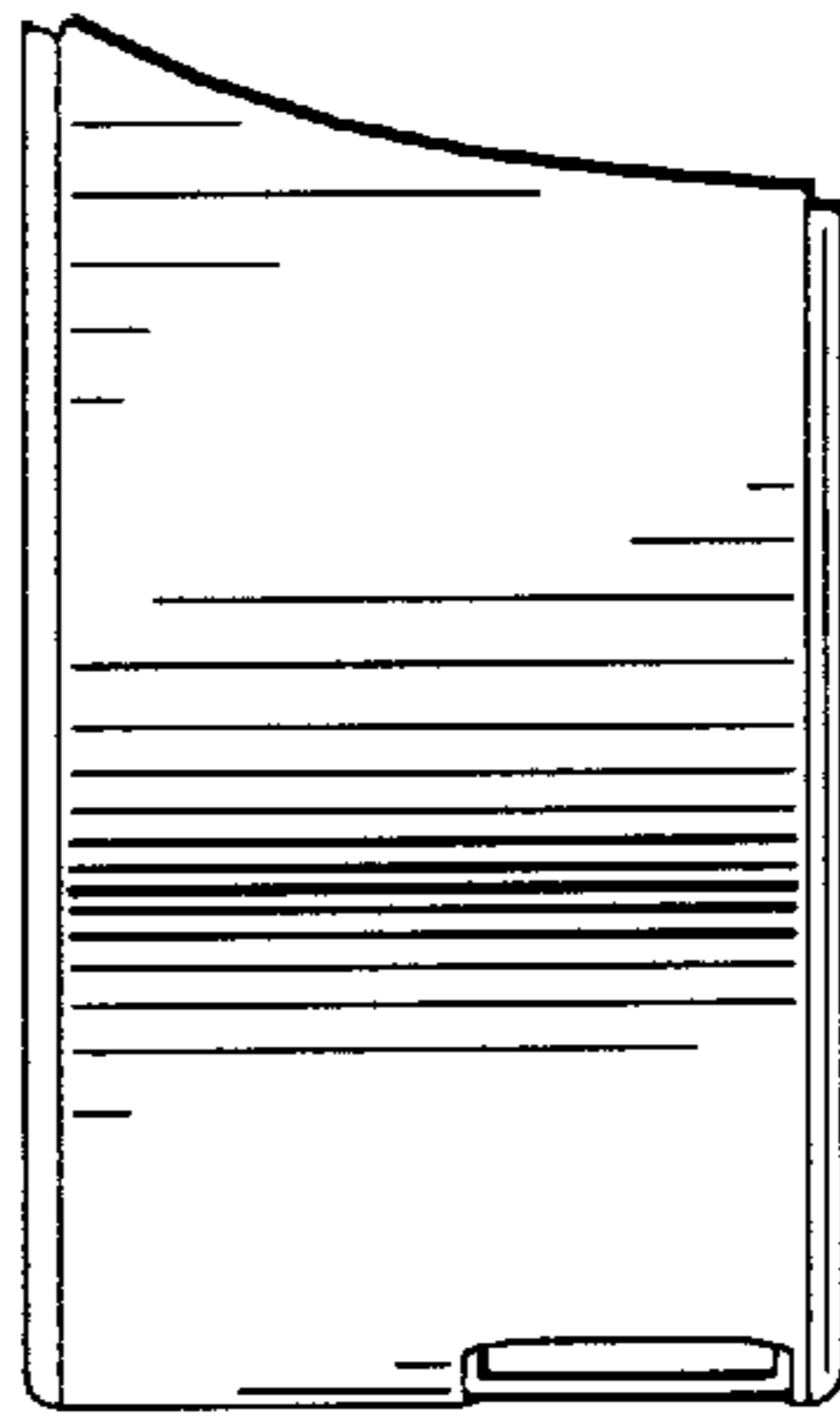


FIG. 4

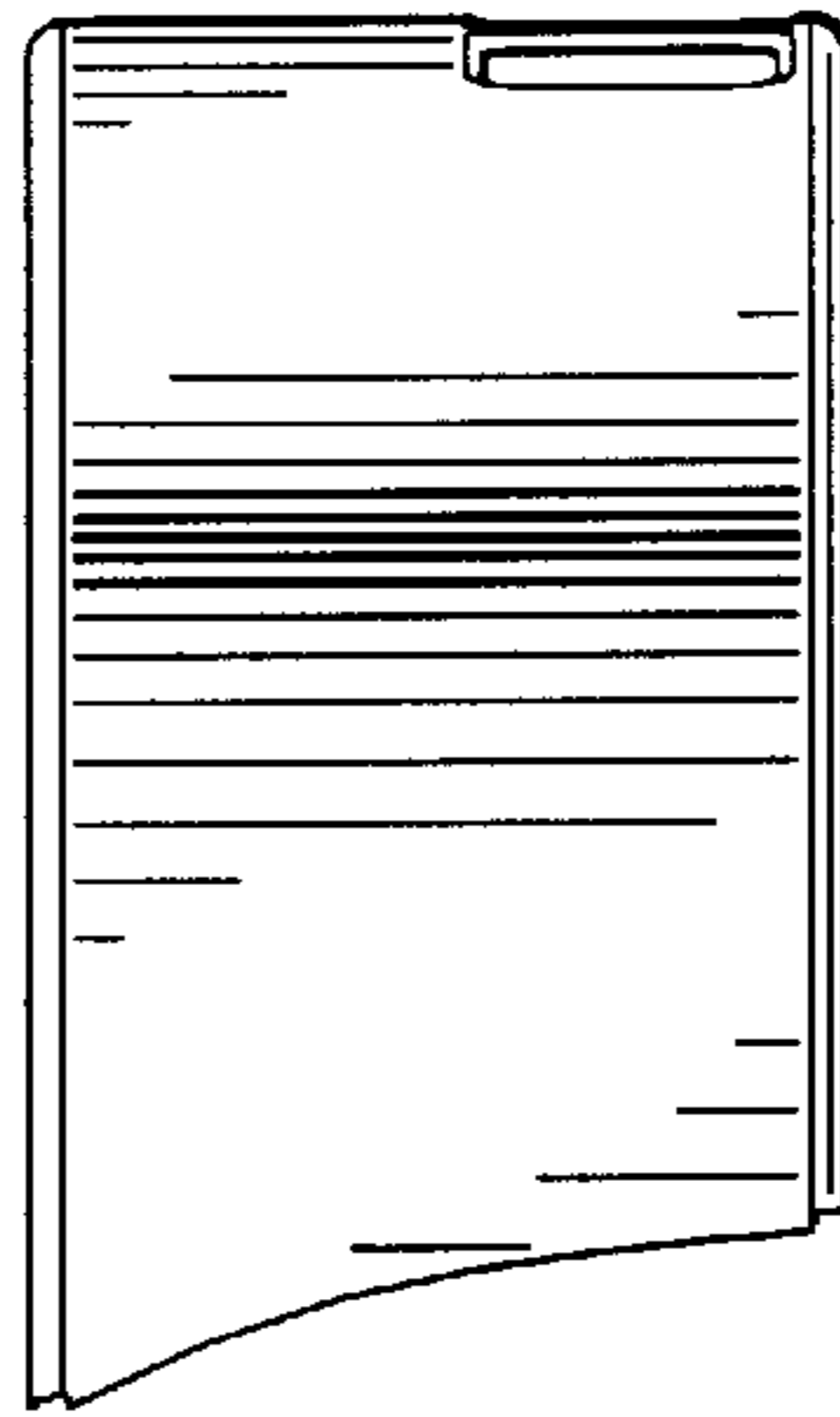


FIG. 5

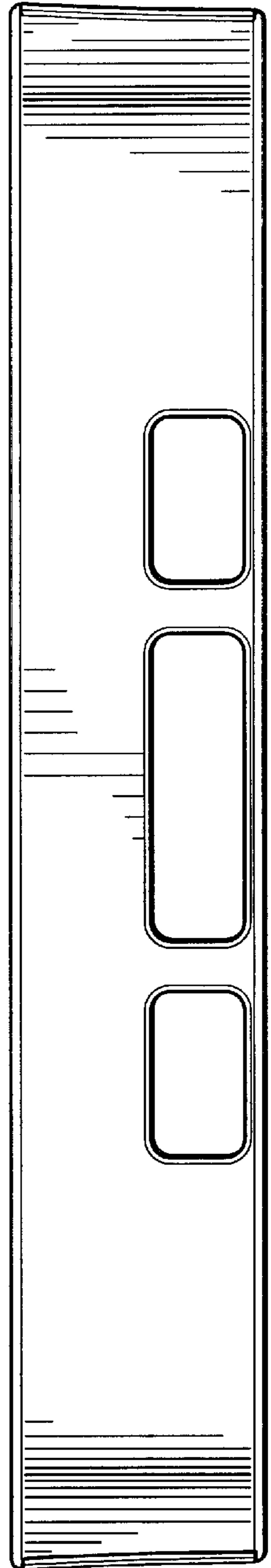


FIG. 6

FIG. 7

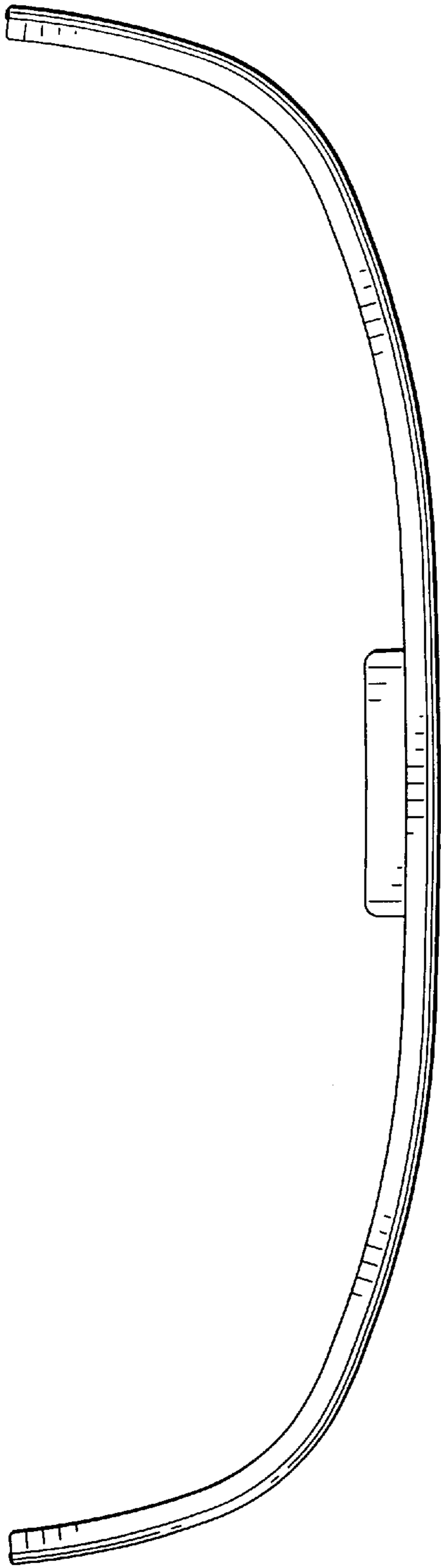
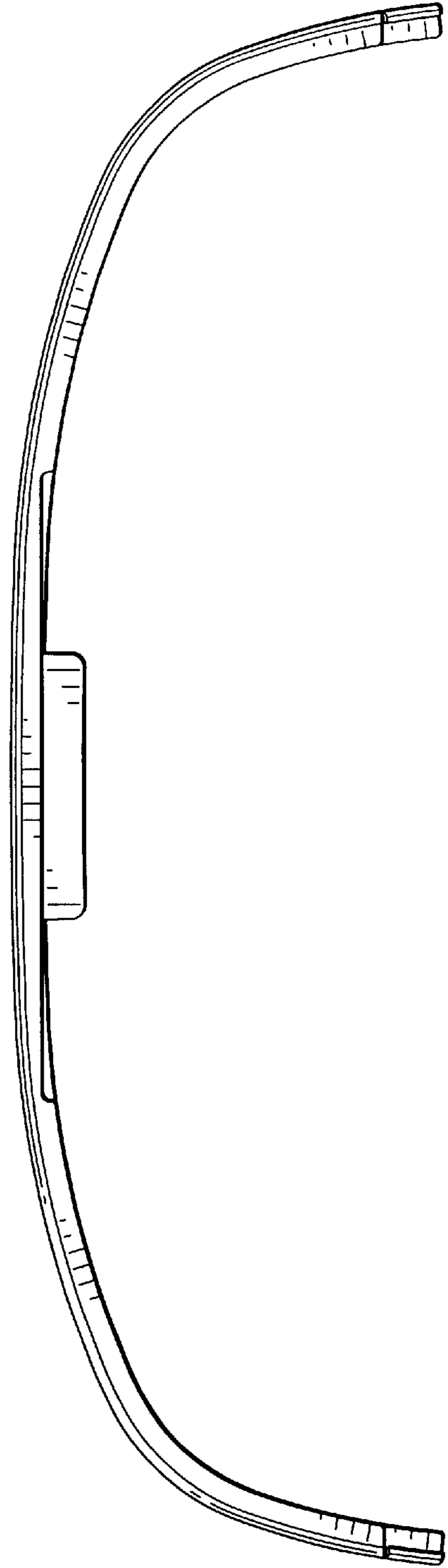


FIG. 8



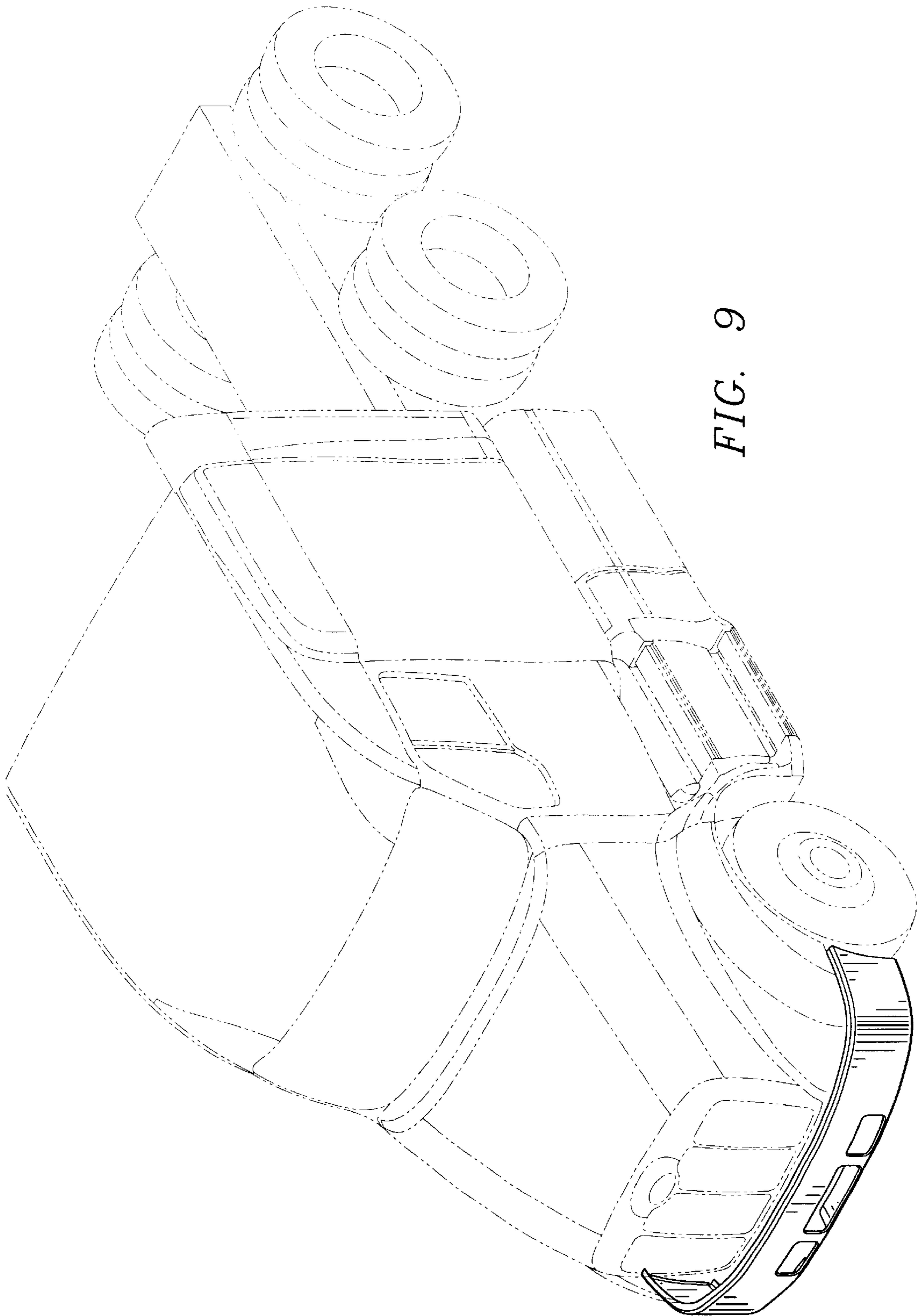


FIG. 9