



US00D476925S

(12) **United States Design Patent**
Bethlenfalvy

(10) **Patent No.:** **US D476,925 S**

(45) **Date of Patent:** **** Jul. 8, 2003**

(54) **BICYCLE HUB FLANGE PROTECTOR**

OTHER PUBLICATIONS

(76) Inventor: **Aaron M. Bethlenfalvy**, 23411
Summerfield, Unit D-10, Aliso Viejo,
CA (US) 92656

Voxom hub photo 1.
Voxom hub photo 2.
Voxom hub photo 3.

(**) Term: **14 Years**

* cited by examiner

(21) Appl. No.: **29/161,140**

Primary Examiner—Alan P. Douglas

Assistant Examiner—Linda Brooks

(22) Filed: **May 23, 2002**

(74) *Attorney, Agent, or Firm*—Stetina Brunda Garred &
Brucker

(51) **LOC (7) Cl.** **12-11**

(57) **CLAIM**

(52) **U.S. Cl.** **D12/126**

The ornamental design for a bicycle hub flange protector, as shown and described.

(58) **Field of Search** D12/111, 126,
D12/204, 207; 474/144-147, 151; 74/609;
280/160.1, 238, 304.3; 301/59-61, 108.1,
108.4, 108.5, 124.2

DESCRIPTION

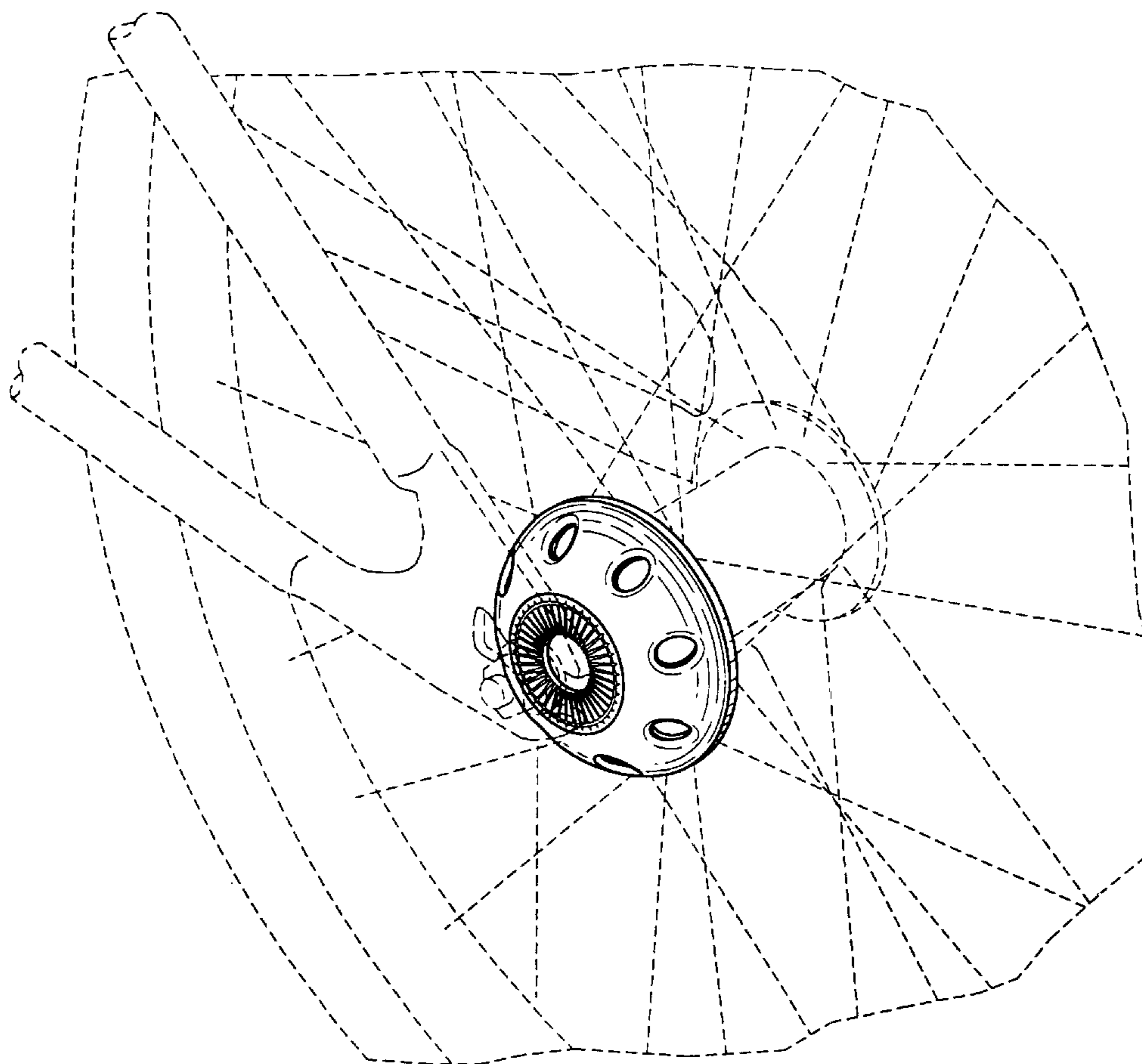
(56) **References Cited**

FIG. 1 is a front perspective view of the bicycle hub flange protector of the present invention showing my new design with the phantom lines depicting solely environmental structure and forming no part of the claim design;
FIG. 2 is an enlarged front elevational view thereof;
FIG. 3 is an enlarged side elevational view thereof; and,
FIG. 4 is an enlarged rear elevational view thereof.

U.S. PATENT DOCUMENTS

D157,822 S * 3/1950 Wolfe D12/204
4,278,265 A * 7/1981 Nagano 280/160.1
D407,362 S * 3/1999 Schardt D12/204

1 Claim, 2 Drawing Sheets



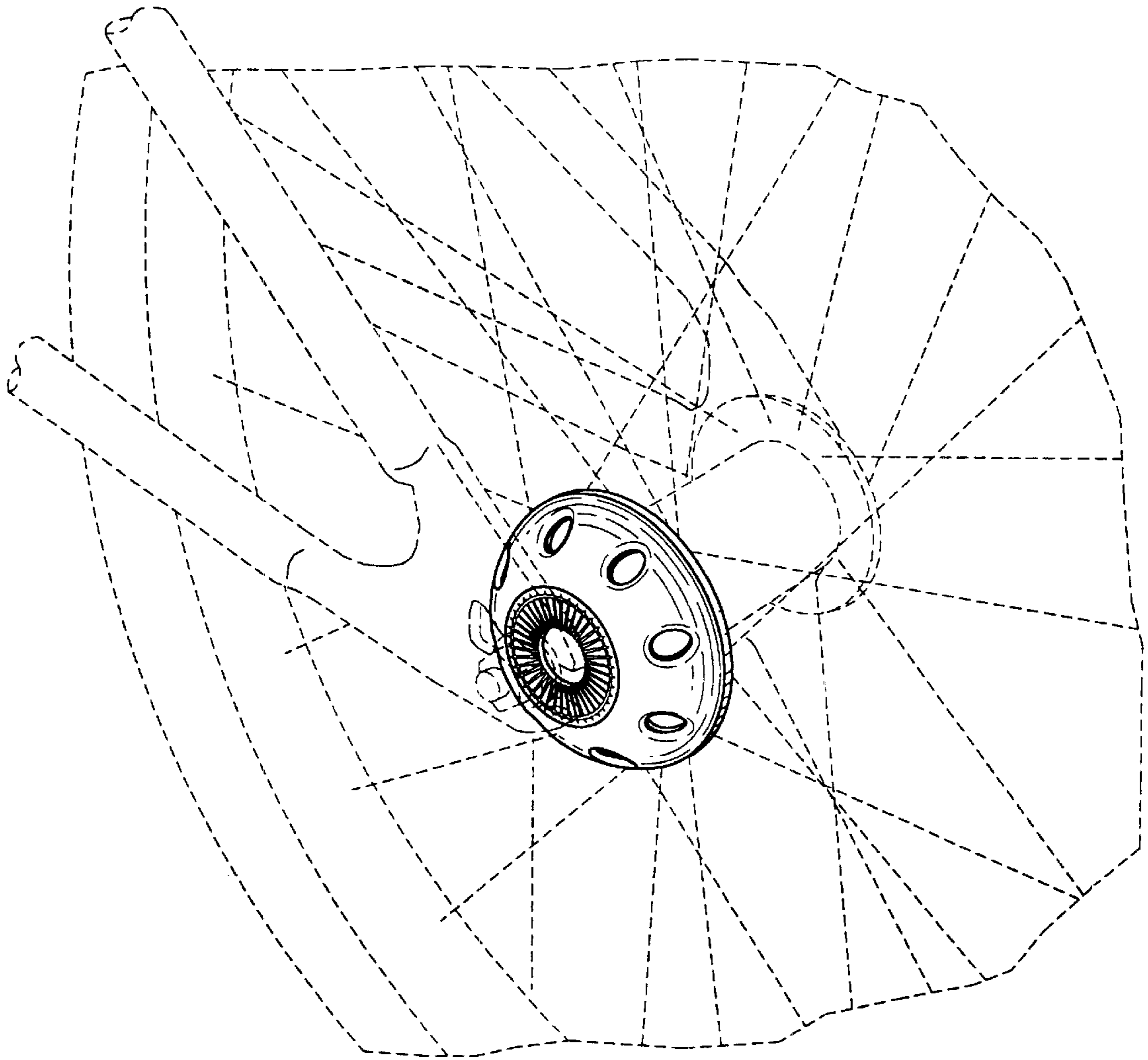


Fig. 1

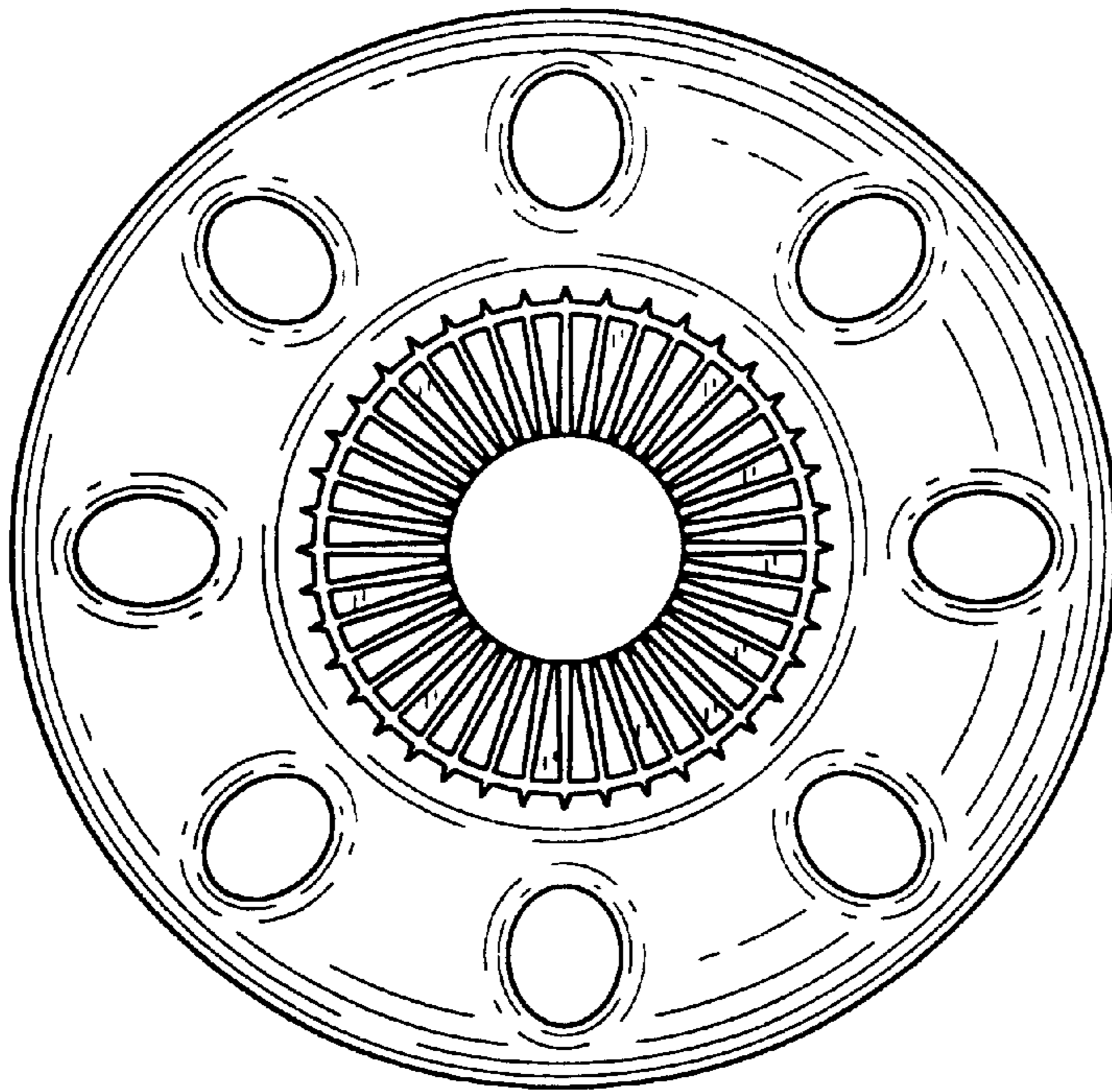


Fig. 2

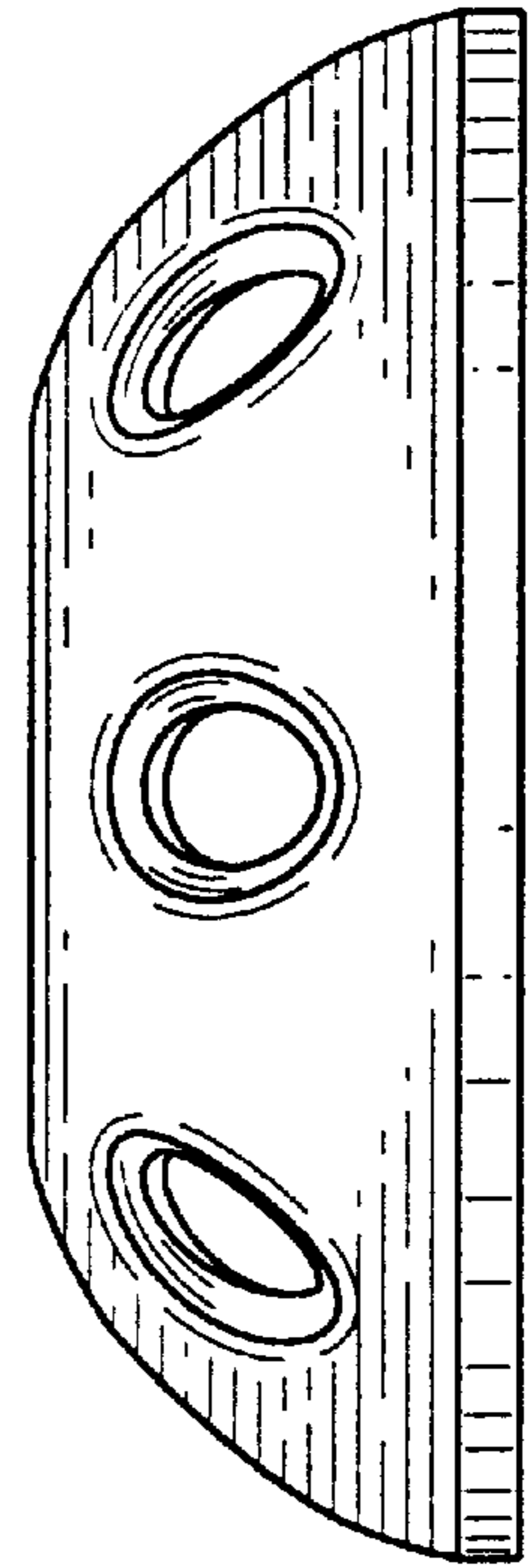


Fig. 3

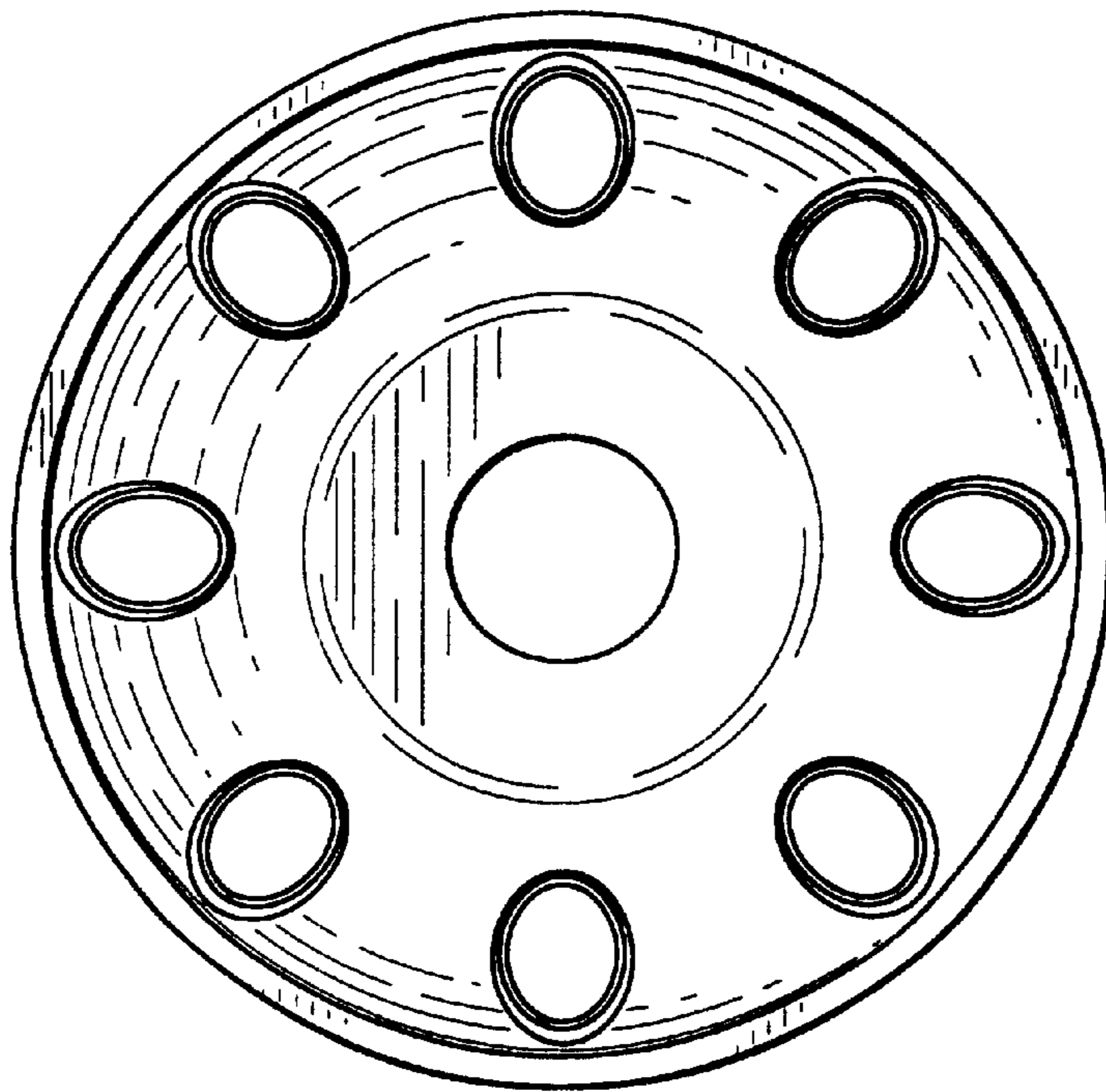


Fig. 4