



US00D476919S

(12) **United States Design Patent**  
**Vidmar et al.**

(10) **Patent No.:** **US D476,919 S**

(45) **Date of Patent:** **\*\* Jul. 8, 2003**

(54) **MOUNT BRACKET FOR A FLAG POLE**

(75) **Inventors:** **James F. Vidmar**, Willoughby, OH  
(US); **Peter D. Rimback**, South Euclid,  
OH (US)

(73) **Assignee:** **HSN Improvements, LLC**,  
Weehawken, NJ (US)

(\*\*) **Term:** **14 Years**

(21) **Appl. No.:** **29/162,440**

(22) **Filed:** **Jun. 14, 2002**

(51) **LOC (7) Cl.** ..... **11-05**

(52) **U.S. Cl.** ..... **D11/182**

(58) **Field of Search** ..... D8/349, 354, 373,  
D8/380, 394, 396; D11/166, 181, 182, 183;  
D22/147; 40/218, 606; 116/173, 174, 175;  
248/127, 511, 512, 513, 514, 534, 535,  
536, 537, 538, 539, 540, 541

(56) **References Cited**

**U.S. PATENT DOCUMENTS**

D19,587 S	*	1/1890	Steltz	.....	D8/380
2,672,118 A		3/1954	Martin		
3,104,122 A	*	9/1963	Daniels	.....	248/219.4
D200,407 S	*	2/1965	Wessel	.....	D8/380
3,587,520 A		6/1971	Miller		
3,595,202 A		7/1971	Visitacion		
4,452,167 A		6/1984	Burroughs		
4,791,878 A		12/1988	Lewis		

4,949,525 A		8/1990	Weaver		
D314,501 S	*	2/1991	Pagano	.....	248/219.4
D340,676 S	*	10/1993	Gallagher	.....	D11/181
5,269,488 A	*	12/1993	Lach	.....	248/535
5,572,836 A		11/1996	Parker		
5,809,930 A		9/1998	Brooks		
6,276,651 B1		8/2001	Dolan		
D448,717 S	*	10/2001	Hanson et al.	.....	D12/223

**OTHER PUBLICATIONS**

Dialog search performed Apr. 15, 2002.

\* cited by examiner

*Primary Examiner*—Doris V. Coles

*Assistant Examiner*—Elizabeth A. Albert

(74) *Attorney, Agent, or Firm*—Thompson Hine LLP

(57) **CLAIM**

The ornamental design for a mount bracket for a flag pole, as shown and described.

**DESCRIPTION**

FIG. 1 is a side elevational view of our new mount bracket for a flag pole;

FIG. 2 is a front elevational view thereof;

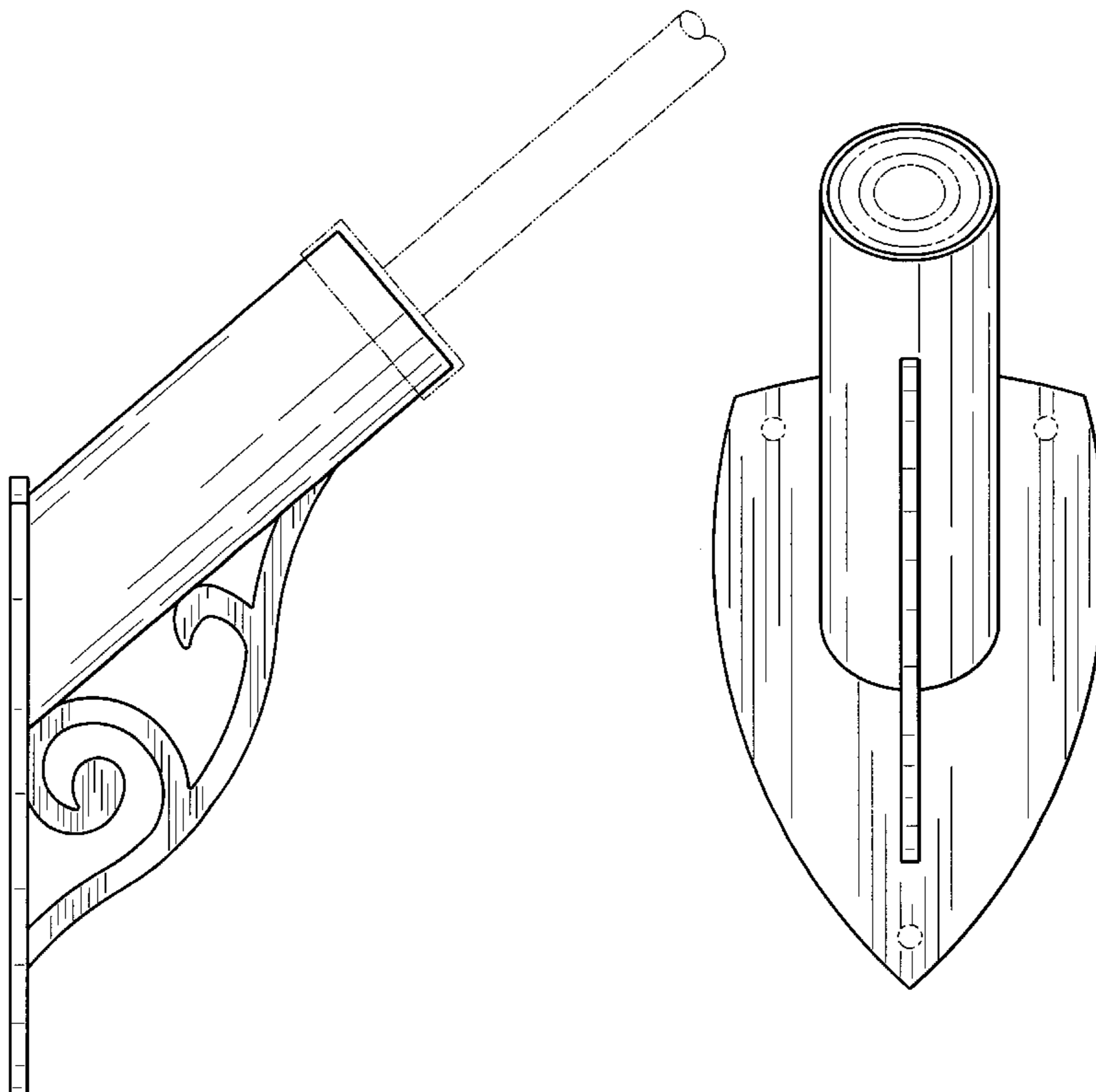
FIG. 3 is a rear elevational view thereof;

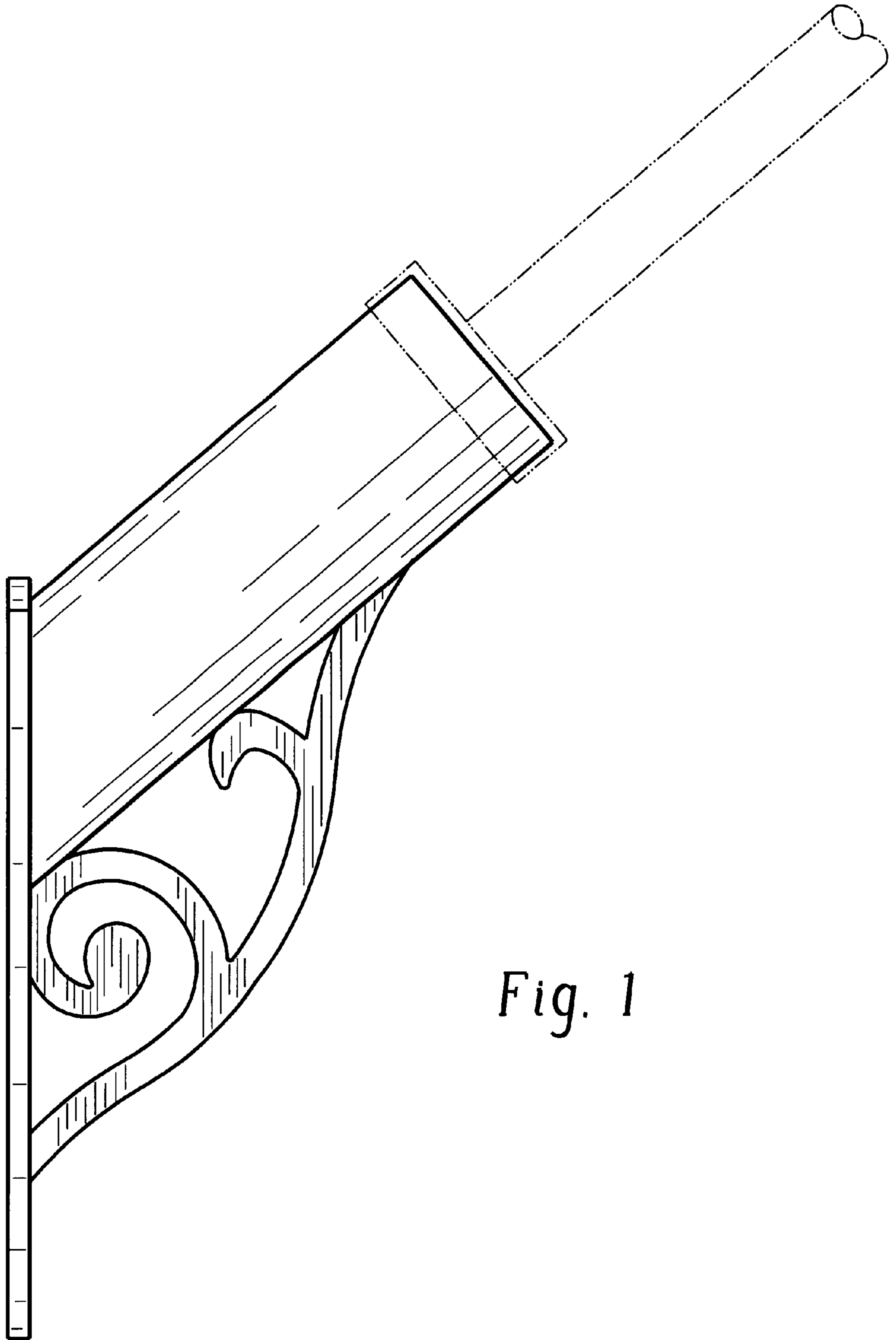
FIG. 4 is a top plan view thereof; and,

FIG. 5 is a bottom plan view thereof.

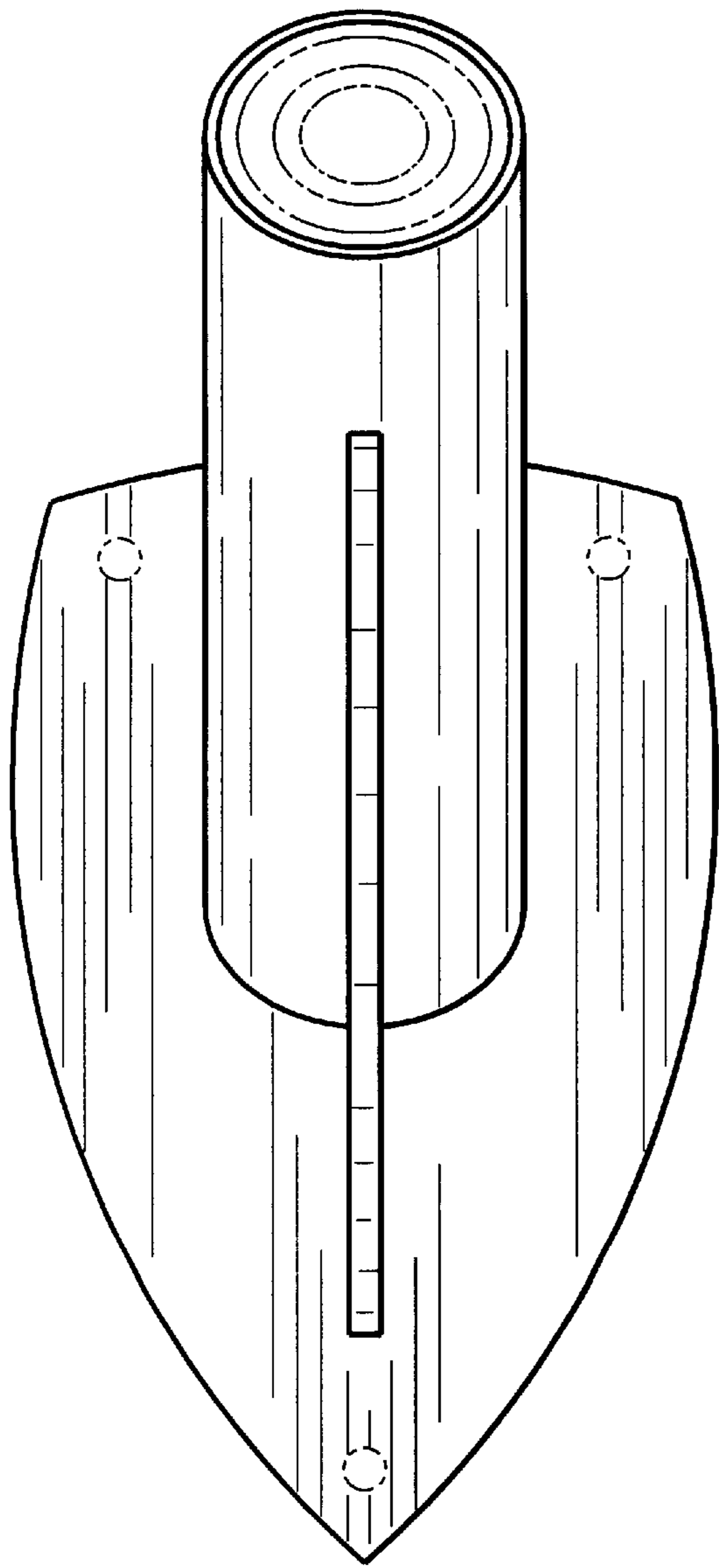
The broken lines shown in FIGS. 1–4 are for illustrative purposes only and form no part of the claimed design.

**1 Claim, 3 Drawing Sheets**

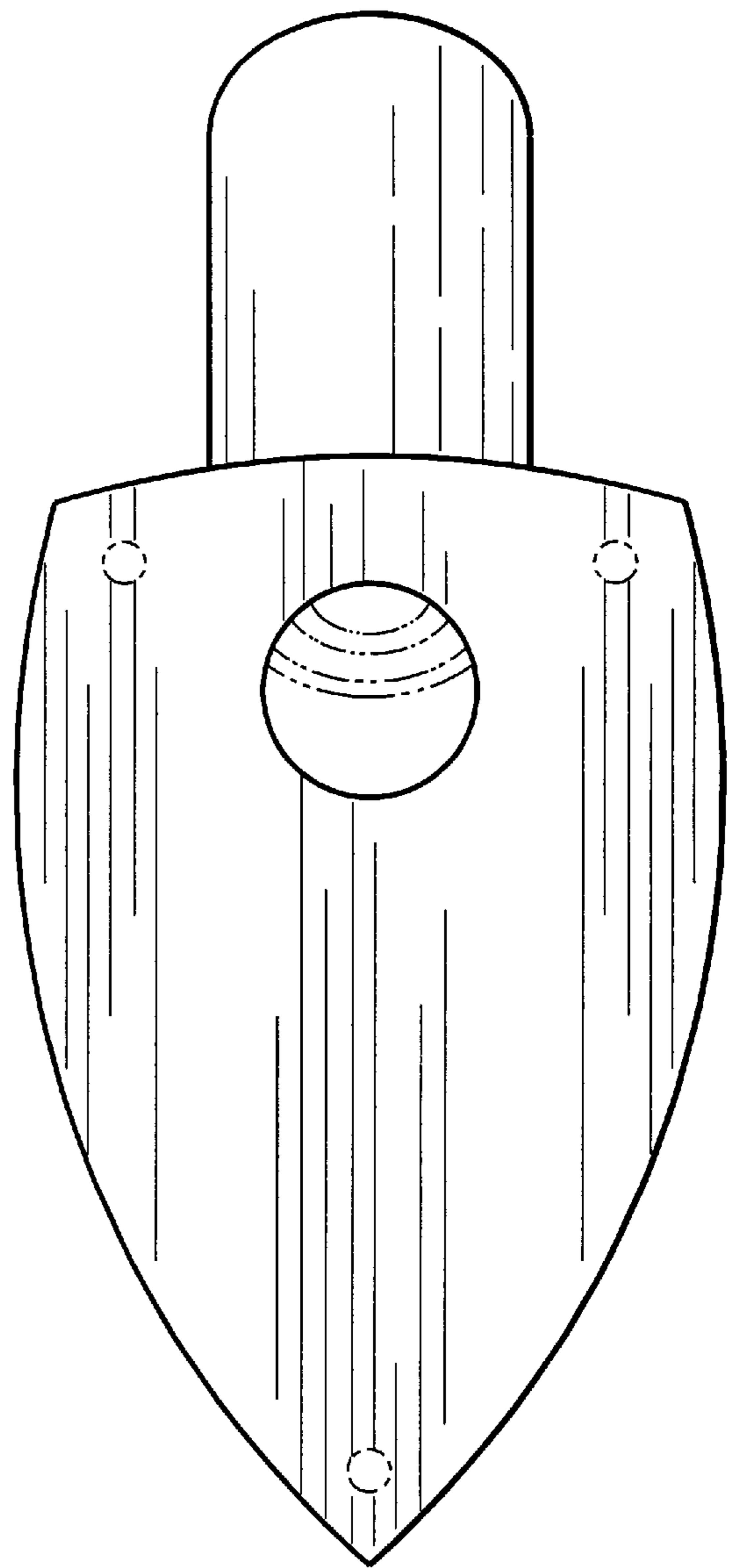




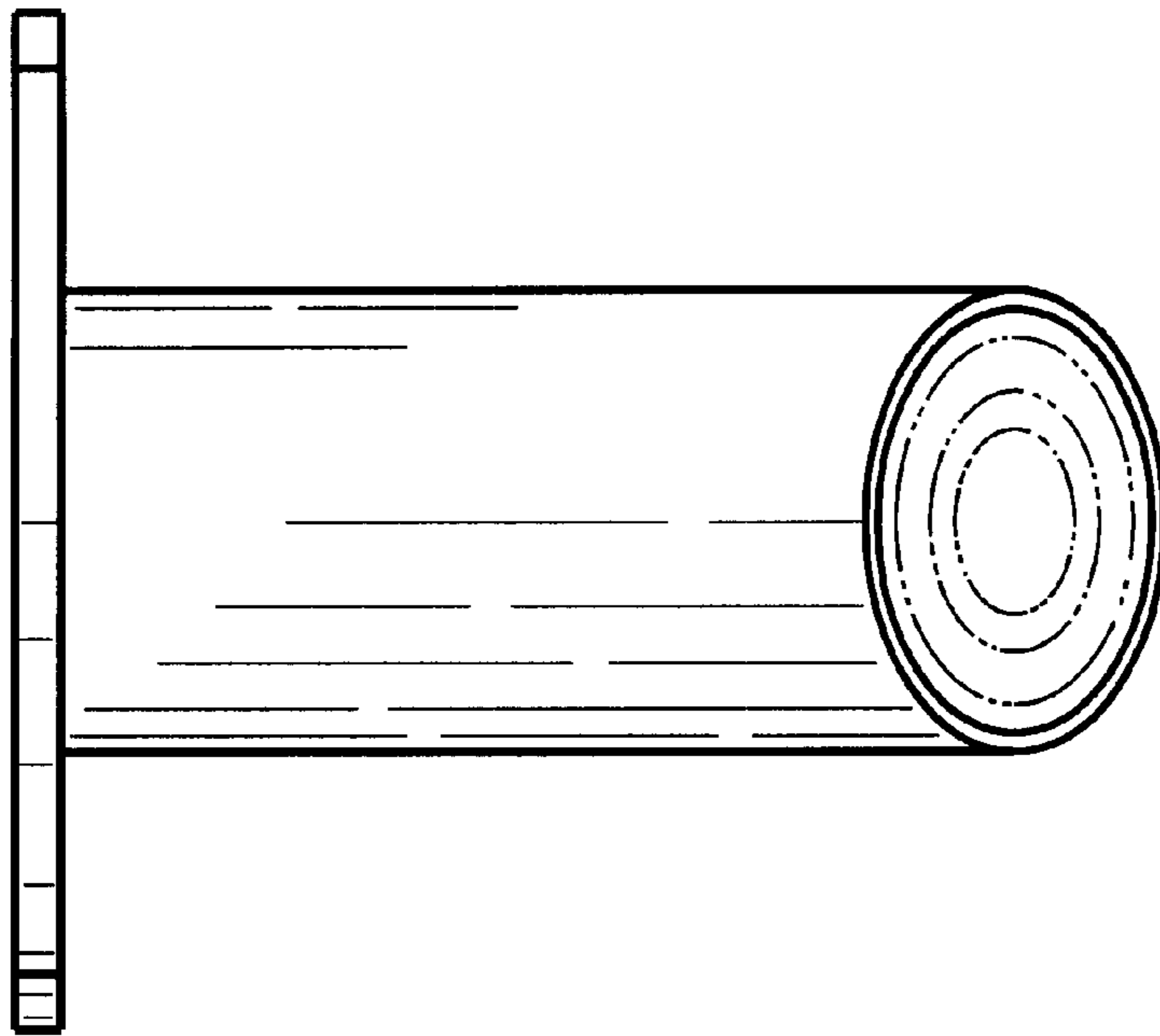
*Fig. 1*



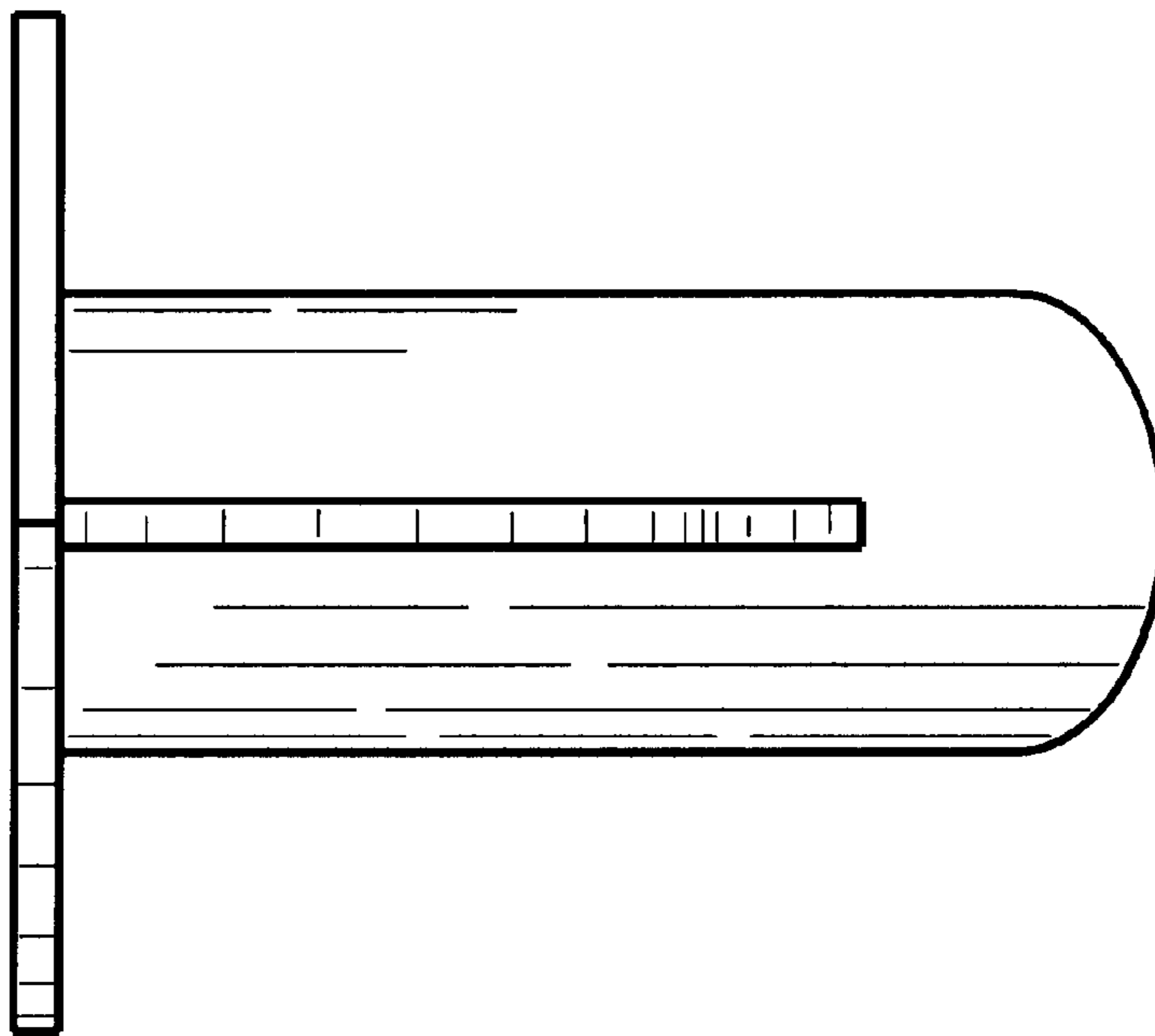
*Fig. 2*



*Fig. 3*



*Fig. 4*



*Fig. 5*