



US00D476914S

(12) **United States Design Patent**
Brown

(10) **Patent No.:** **US D476,914 S**

(45) **Date of Patent:** **** Jul. 8, 2003**

(54) **HEAD PRESSURE BULGE ELIMINATION IN PLASTIC**

(76) **Inventor:** **James C. Brown**, 2121 Skyhawk Dr., Fort Wayne, IN (US) 46825

(**) **Term:** **14 Years**

(21) **Appl. No.:** **29/152,588**

(22) **Filed:** **Dec. 21, 2001**

(51) **LOC (7) Cl.** **10-05**

(52) **U.S. Cl.** **D10/113**

(58) **Field of Search** D10/113; 404/6, 404/9, 12; 116/63 C, 63 P; 256/1, 13.1; 52/586, 587, 730.2, 730.4, 730.5

(56) **References Cited**

U.S. PATENT DOCUMENTS

6,164,865 A * 12/2000 McCallum 404/6

* cited by examiner

Primary Examiner—Antoine Duval Davis

(57) **CLAIM**

The ornamental design for a head pressure bulge elimination in plastic, as shown and described.

DESCRIPTION

FIG. 1 Shows the application of claim 1 of embodiment in cross section thereof;

FIG. 2 Shows the application of claim 1 of embodiment in cross section thereof;

FIG. 3 Shows the application of claim 1 of embodiment in cross section thereof;

FIG. 4 is a front view of claim 1 embodiment thereof;

FIG. 5 is a left view of claim 1 embodiment thereof;

FIG. 6 is a right view of claim 1 embodiment thereof;

FIG. 7 is a top view of claim 1 embodiment thereof;

FIG. 8 is a left/front isometric view of claim 1 embodiment thereof;

FIG. 9 is a right/front isometric view of claim 1 embodiment thereof;

FIG. 10 is a front view of claim 1 embodiment thereof;

FIG. 11 is a left view of claim 1 embodiment thereof;

FIG. 12 is the right view of claim 1 embodiment thereof;

FIG. 13 is the top view of claim 1 embodiment thereof;

FIG. 14 is the left/front isometric view of claim 1 embodiment thereof;

FIG. 15 is the right/front isometric view of claim 1 embodiment thereof;

FIG. 16 is a front view of claim 1 embodiment thereof;

FIG. 17 is a left view of claim 1 embodiment thereof;

FIG. 18 is the right view of claim 1 embodiment thereof;

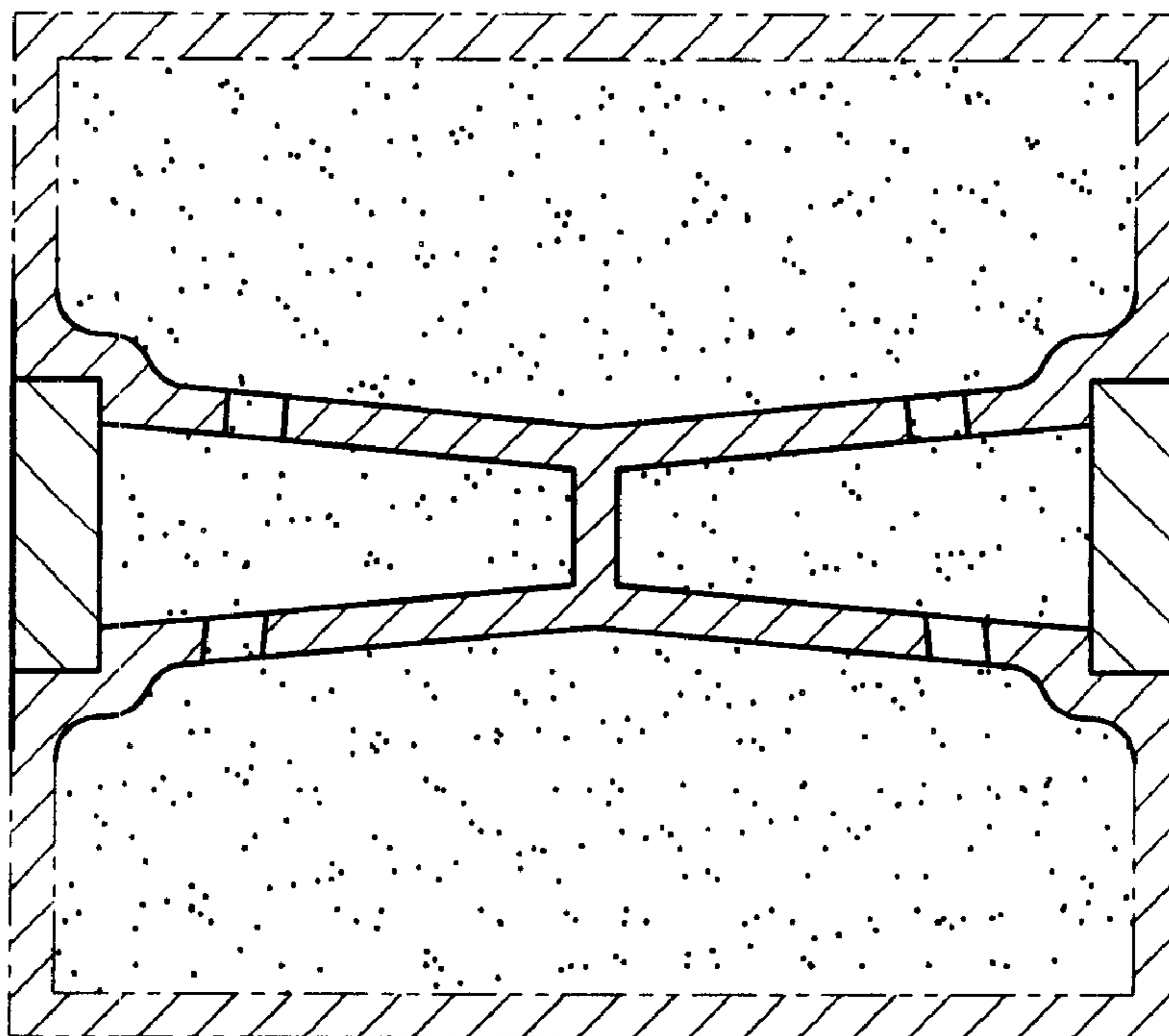
FIG. 19 is the top view of claim 1 embodiment thereof;

FIG. 20 is a left/front isometric view of claim 1 embodiment thereof; and,

FIG. 21 is the right/front isometric view of claim 1 embodiment thereof.

The broken line showing is for illustrative purposes only and forms no part of the claimed design.

1 Claim, 11 Drawing Sheets



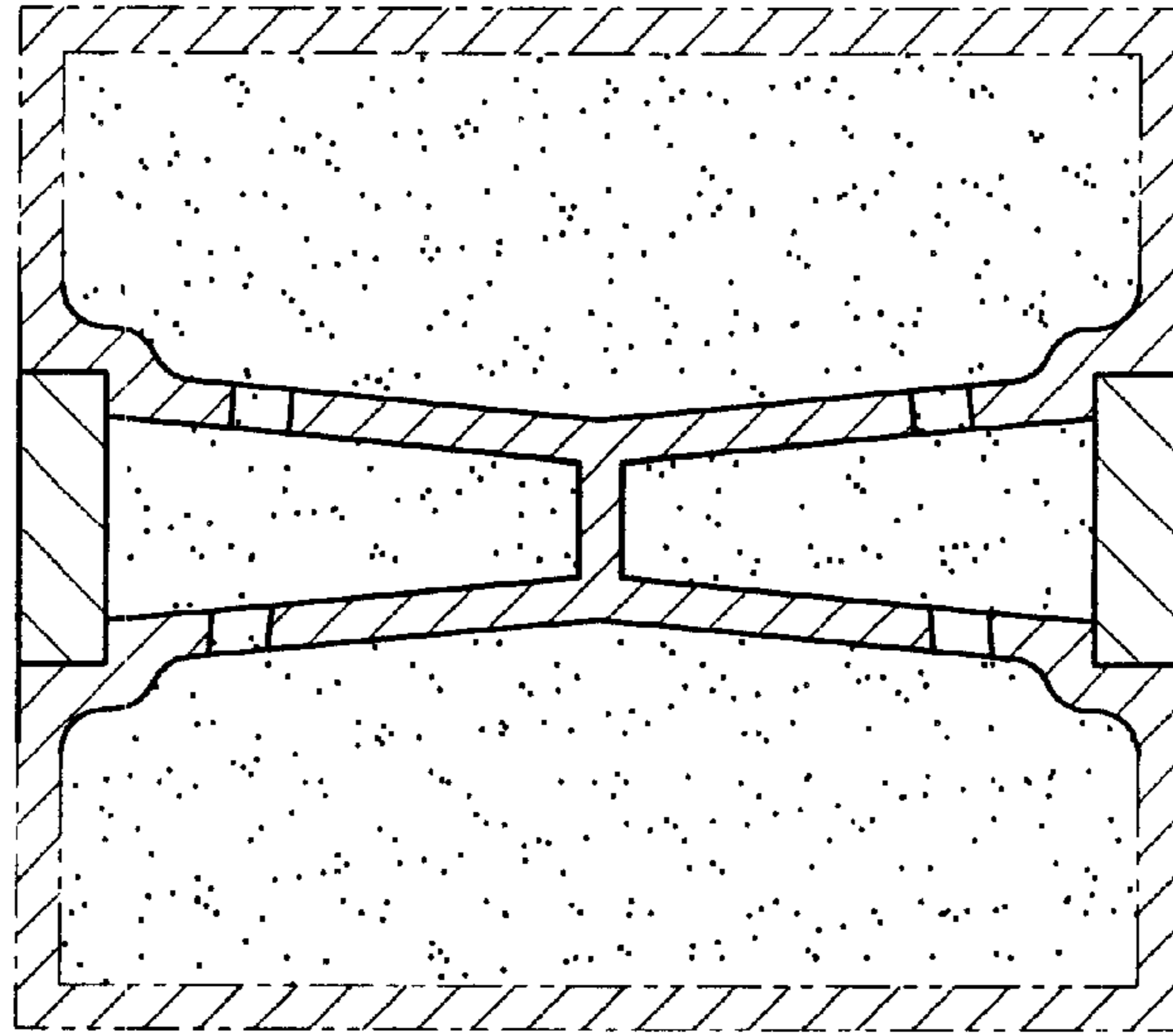


FIG. 1

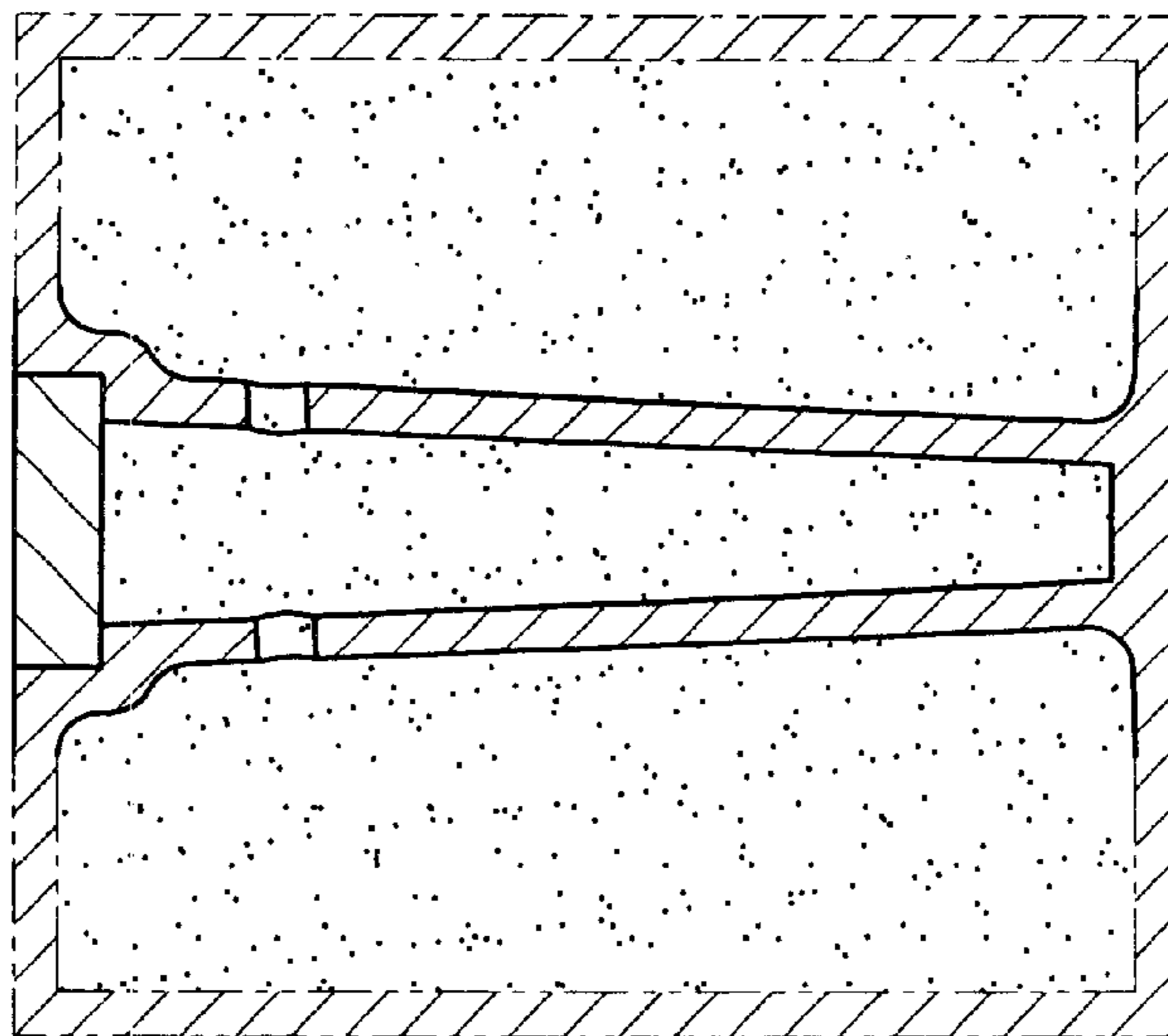


FIG. 2

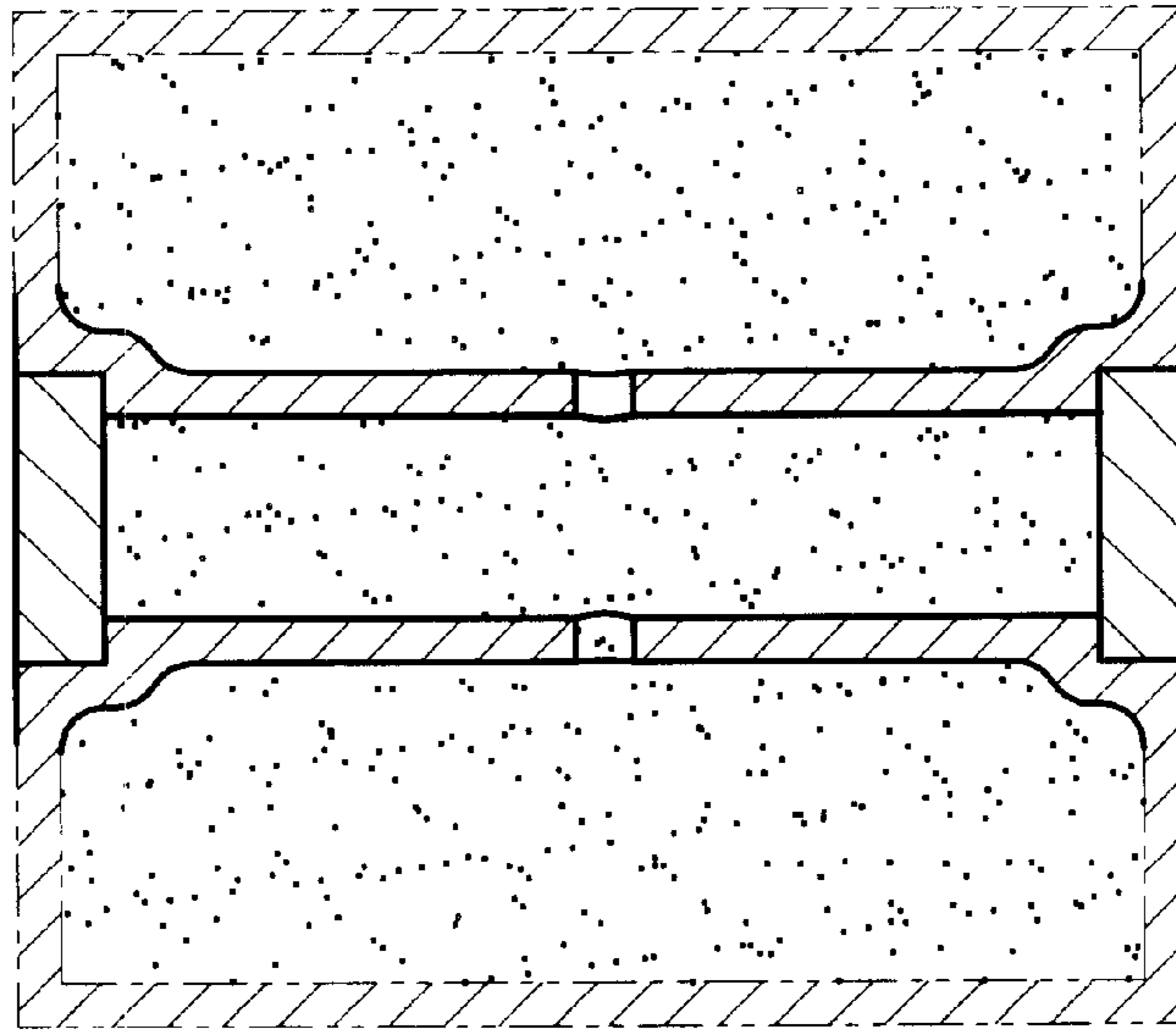


FIG. 3

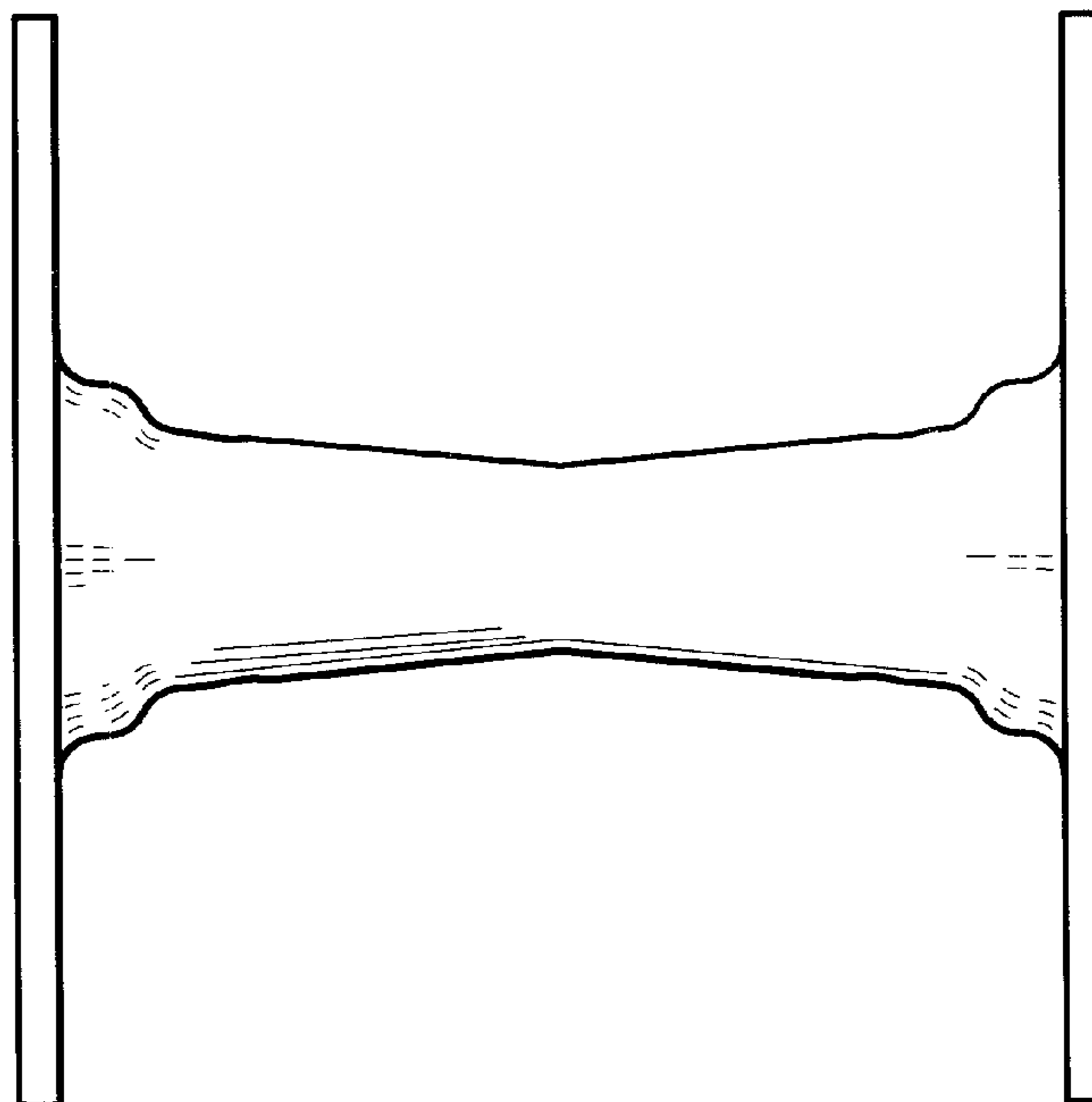


FIG. 4

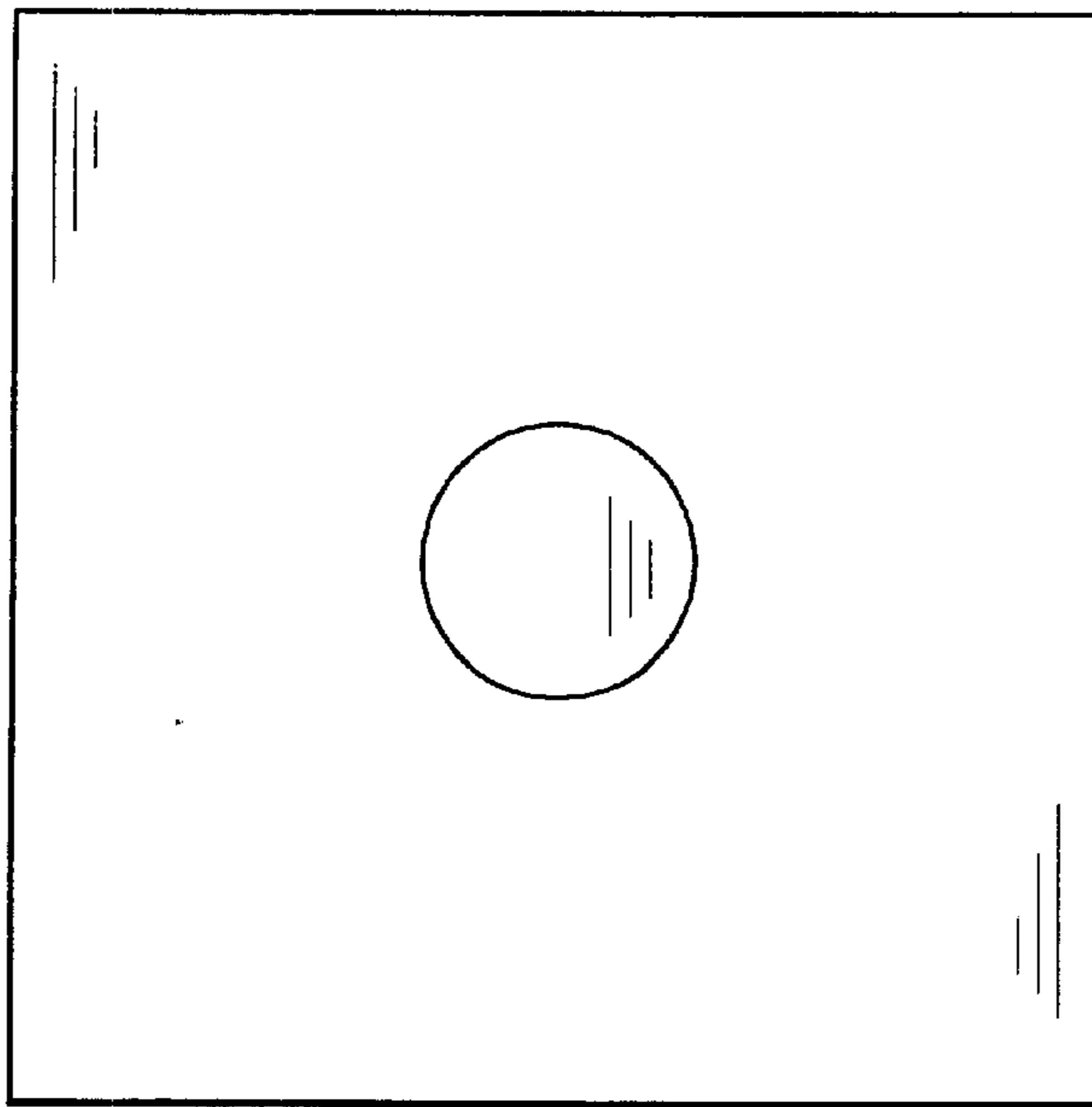


FIG. 5

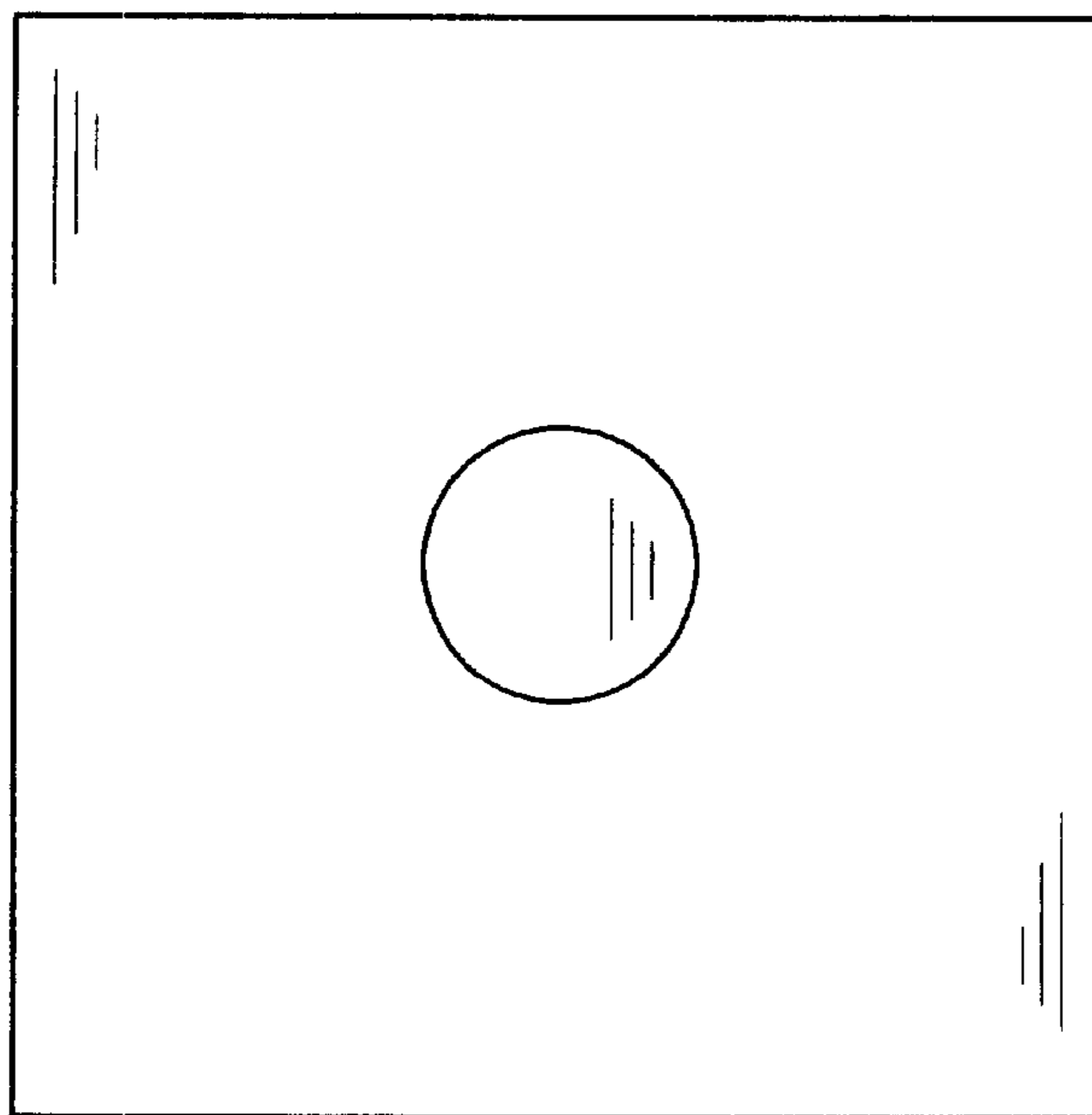


FIG. 6

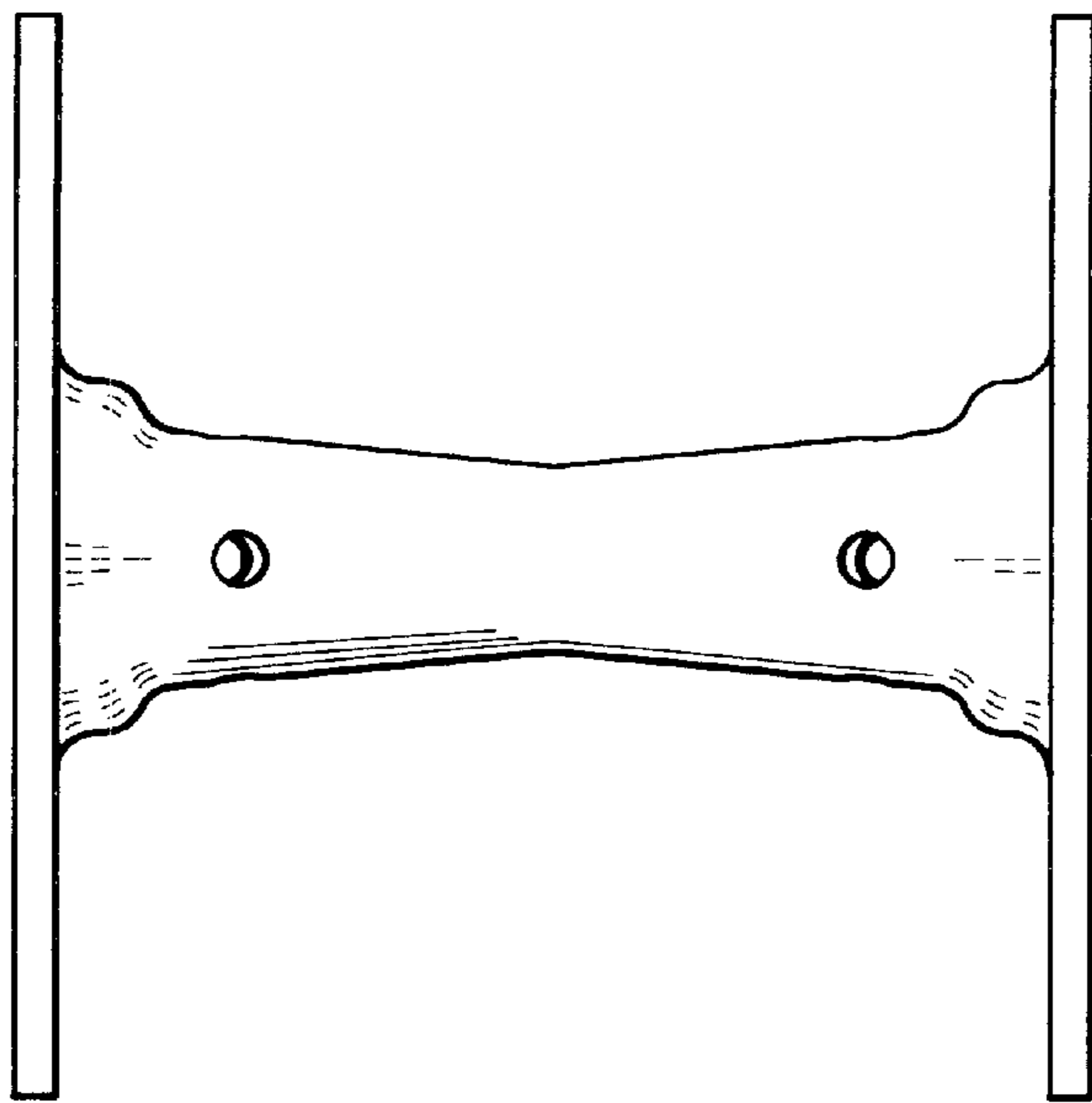


FIG. 7

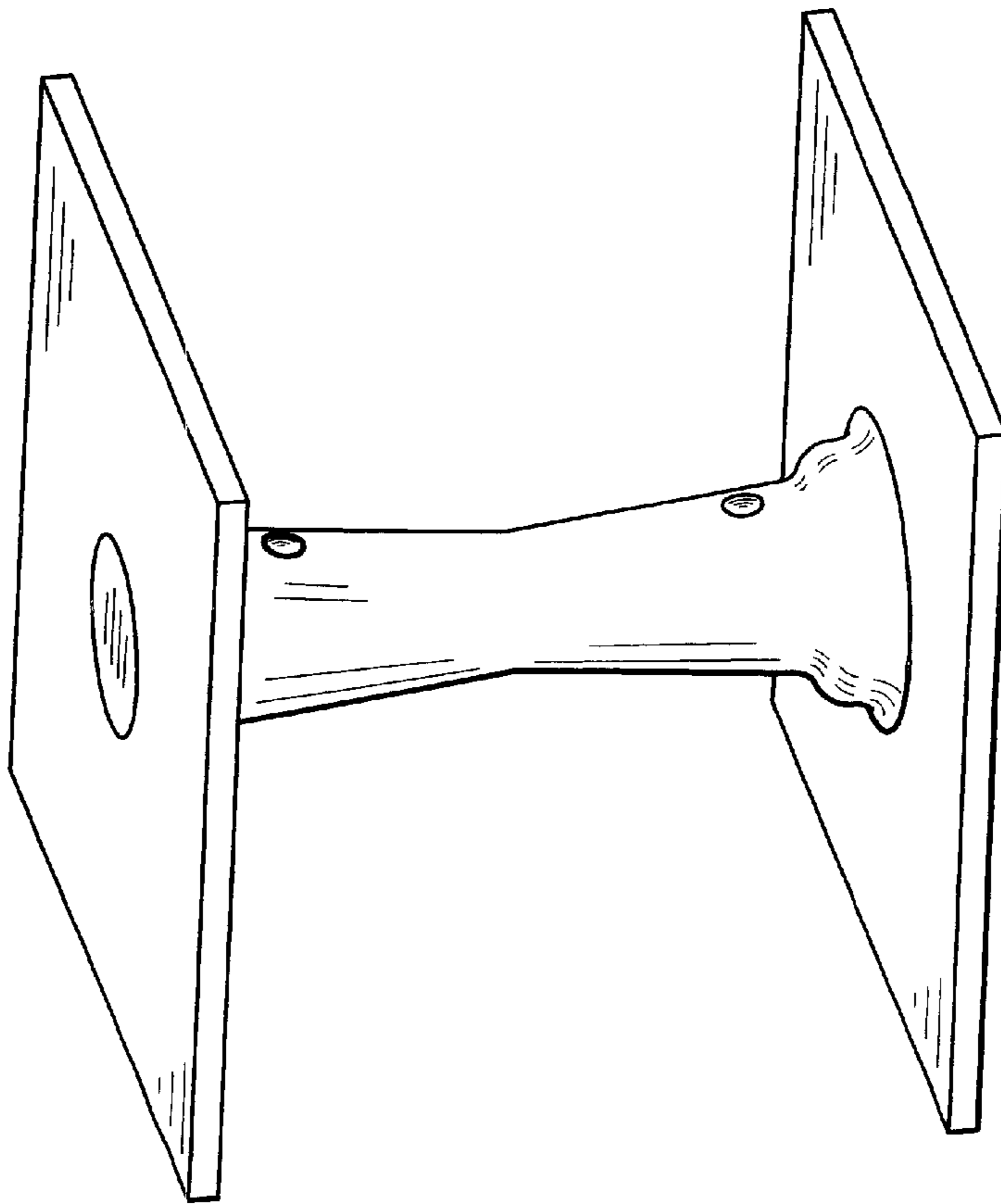


FIG. 8

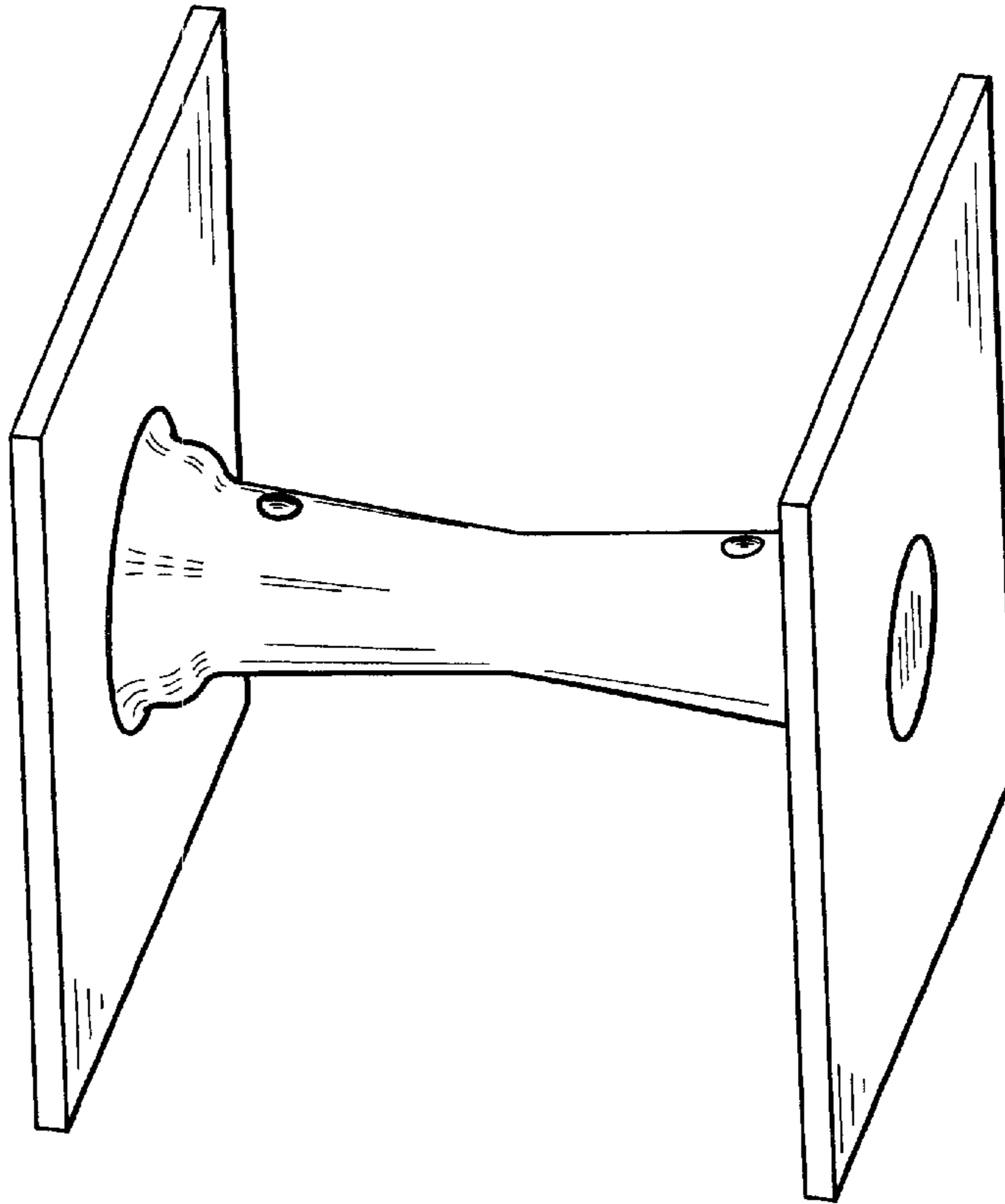


FIG. 9

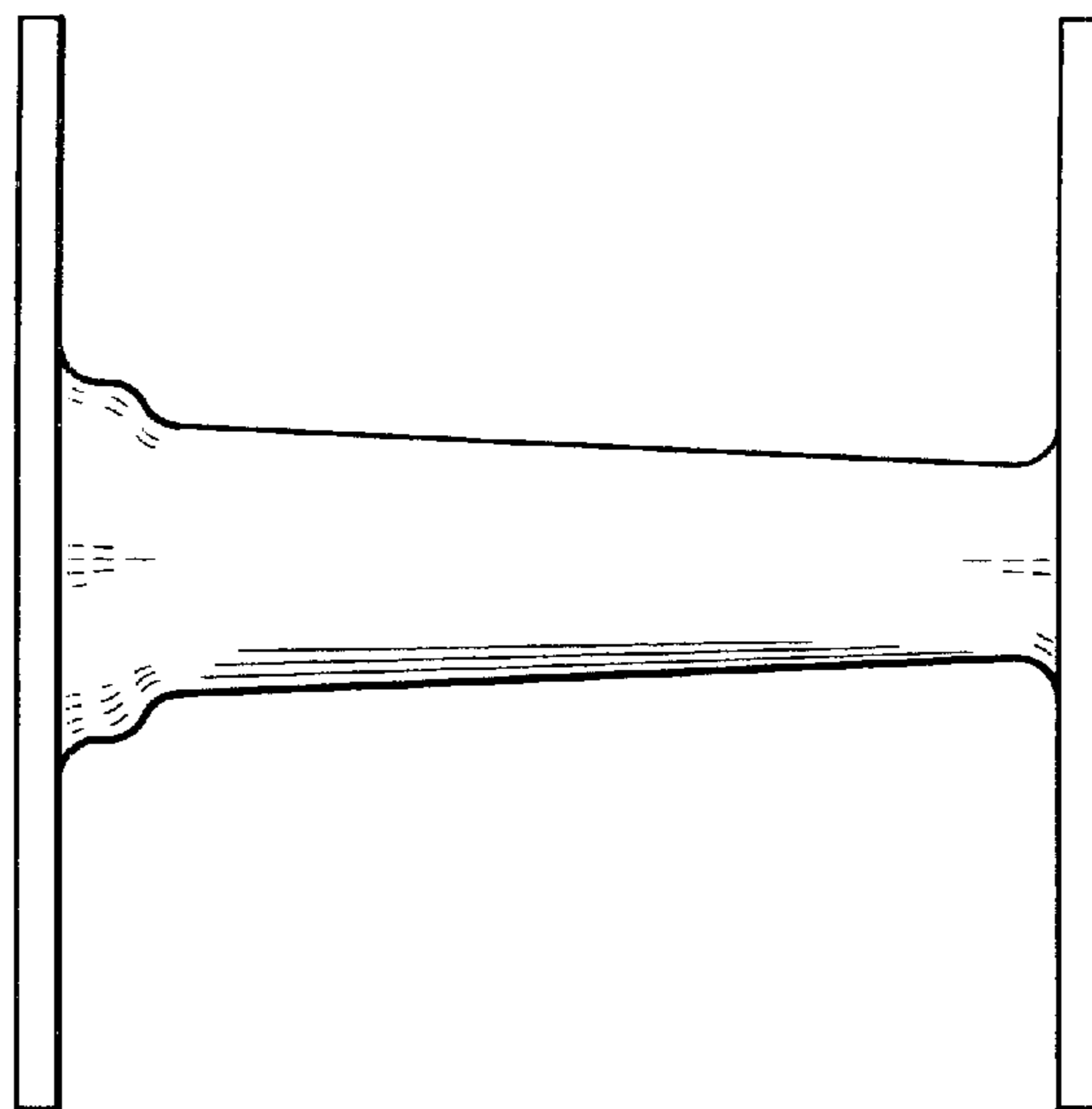


FIG. 10

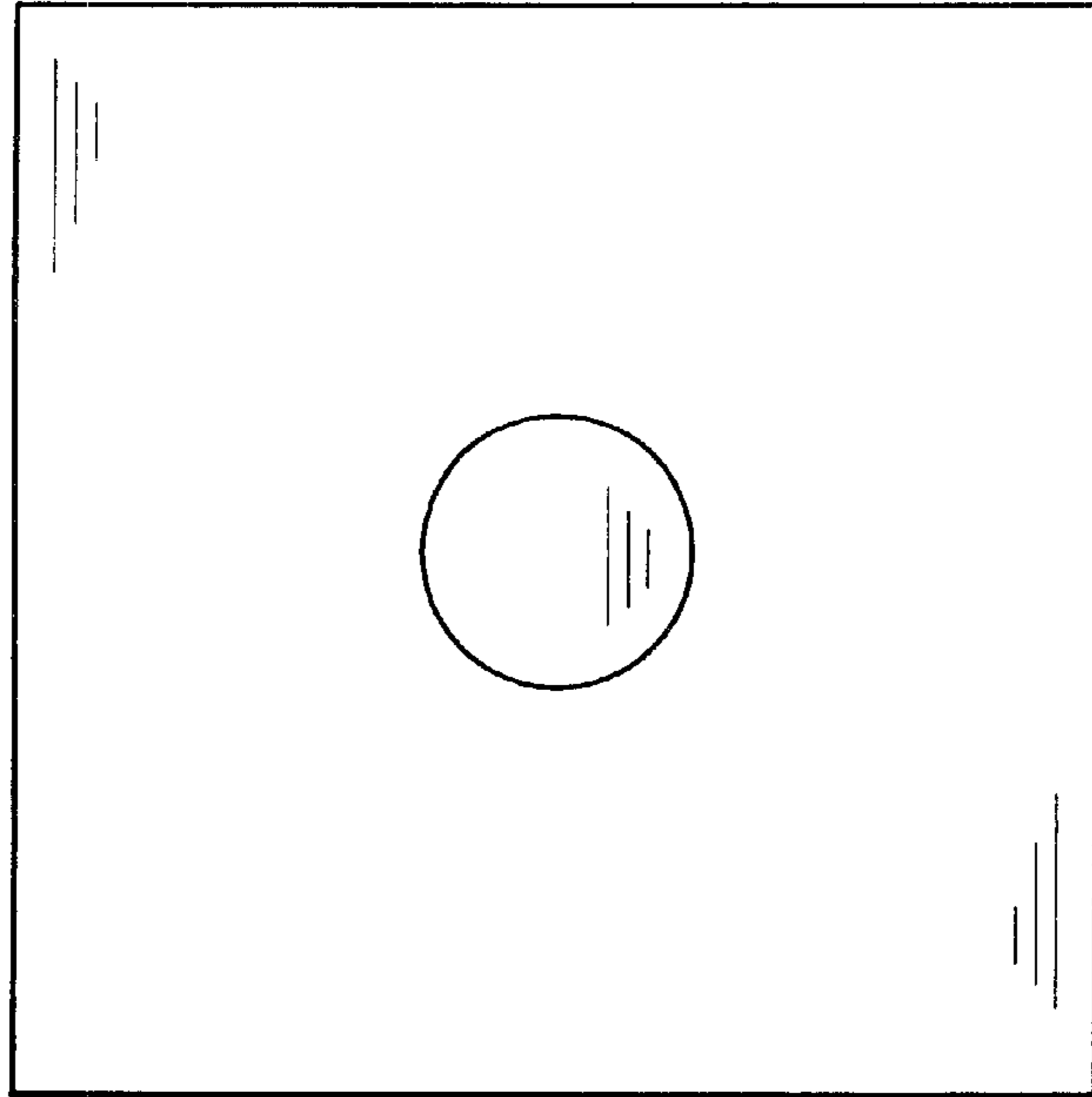


FIG. 11

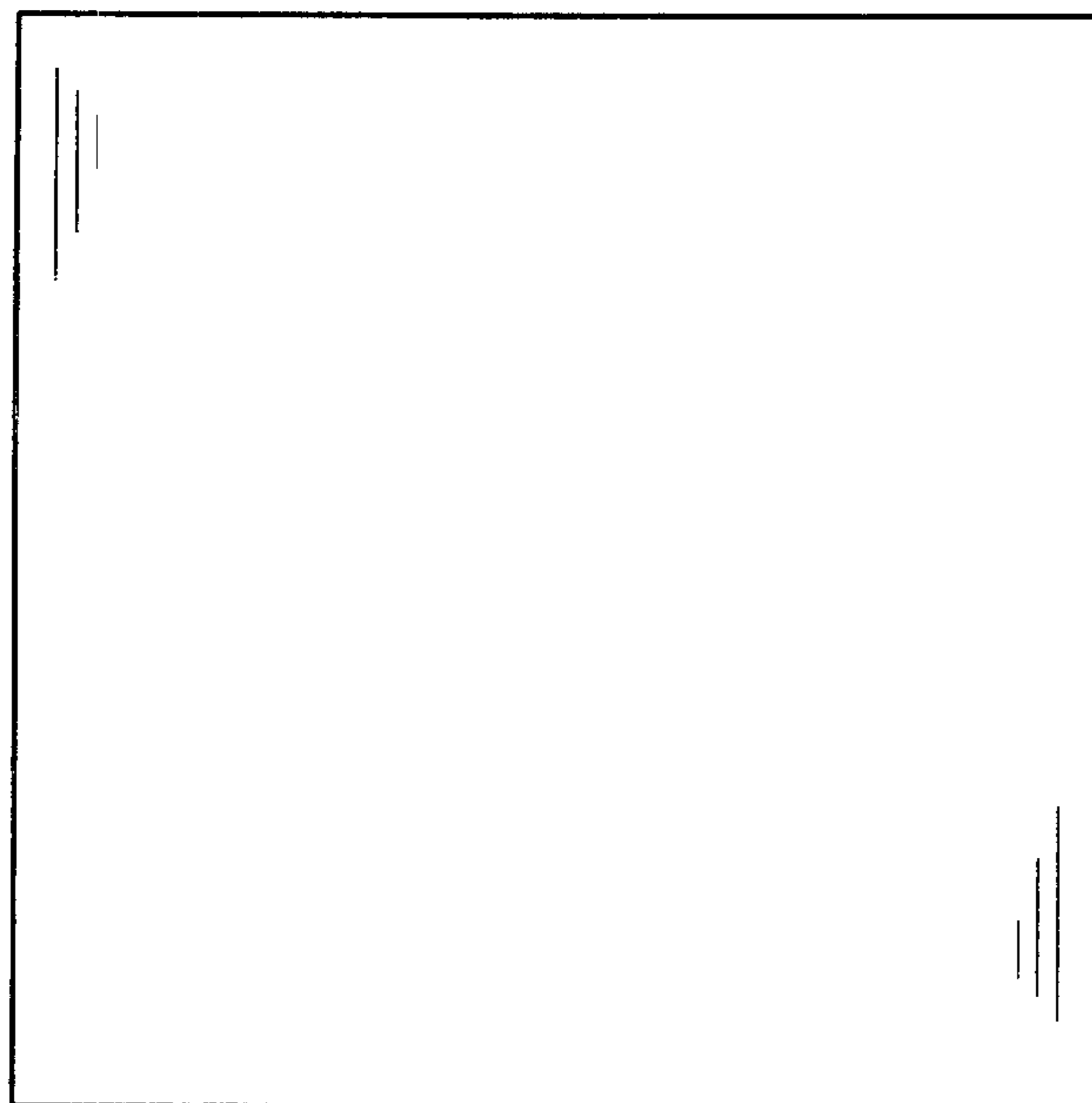


FIG. 12

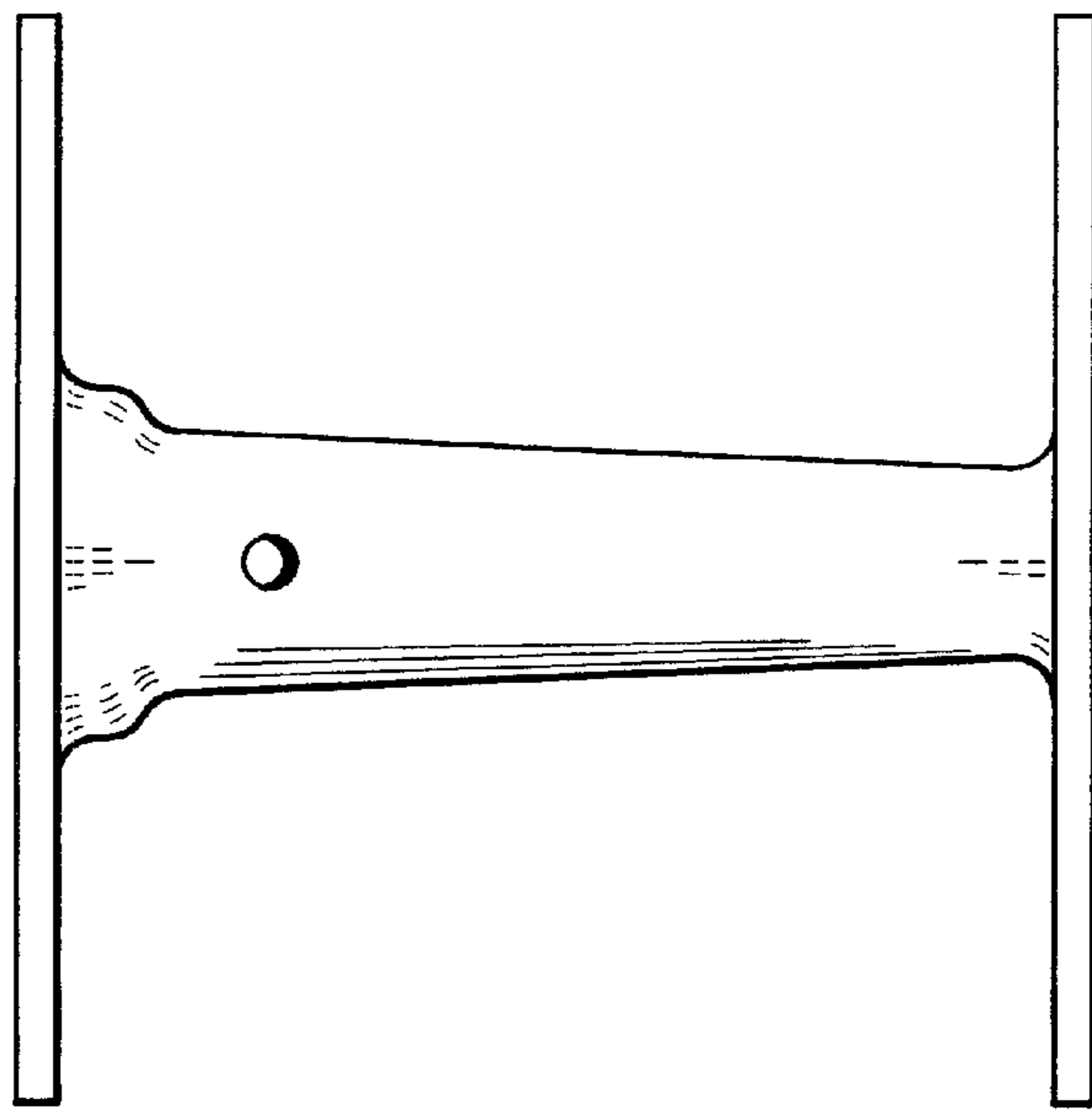


FIG. 13

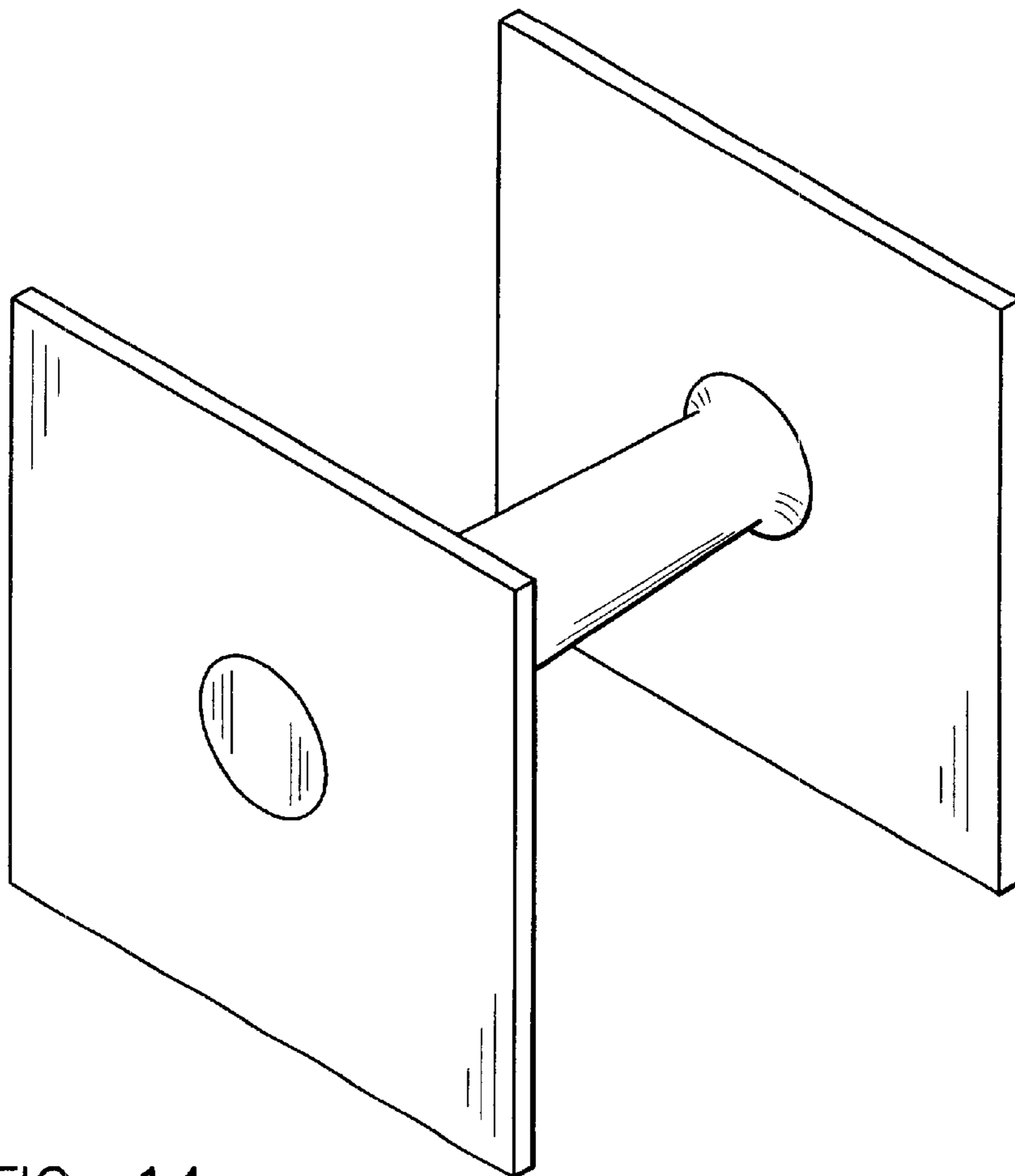


FIG. 14

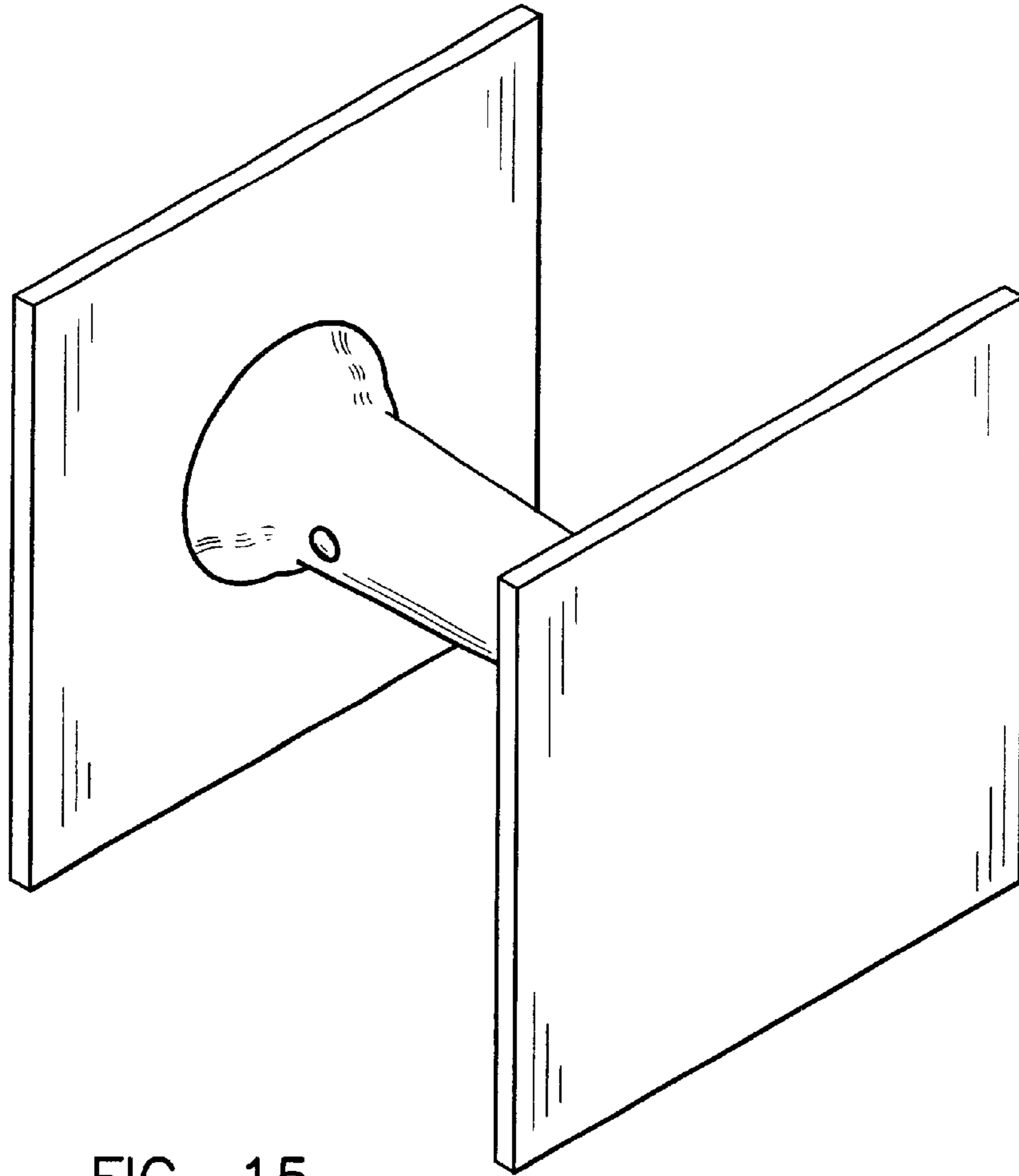


FIG. 15

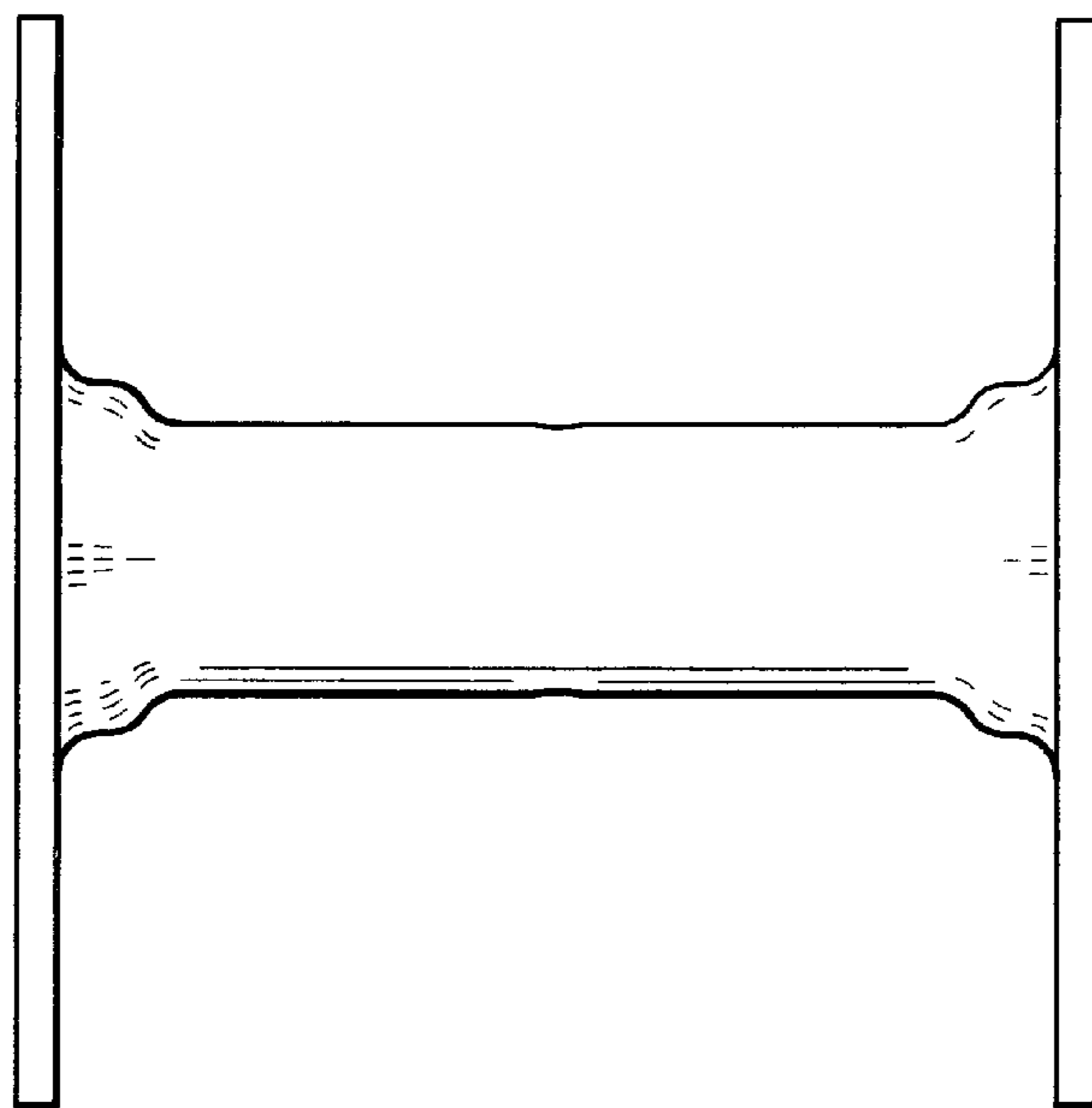


FIG. 16

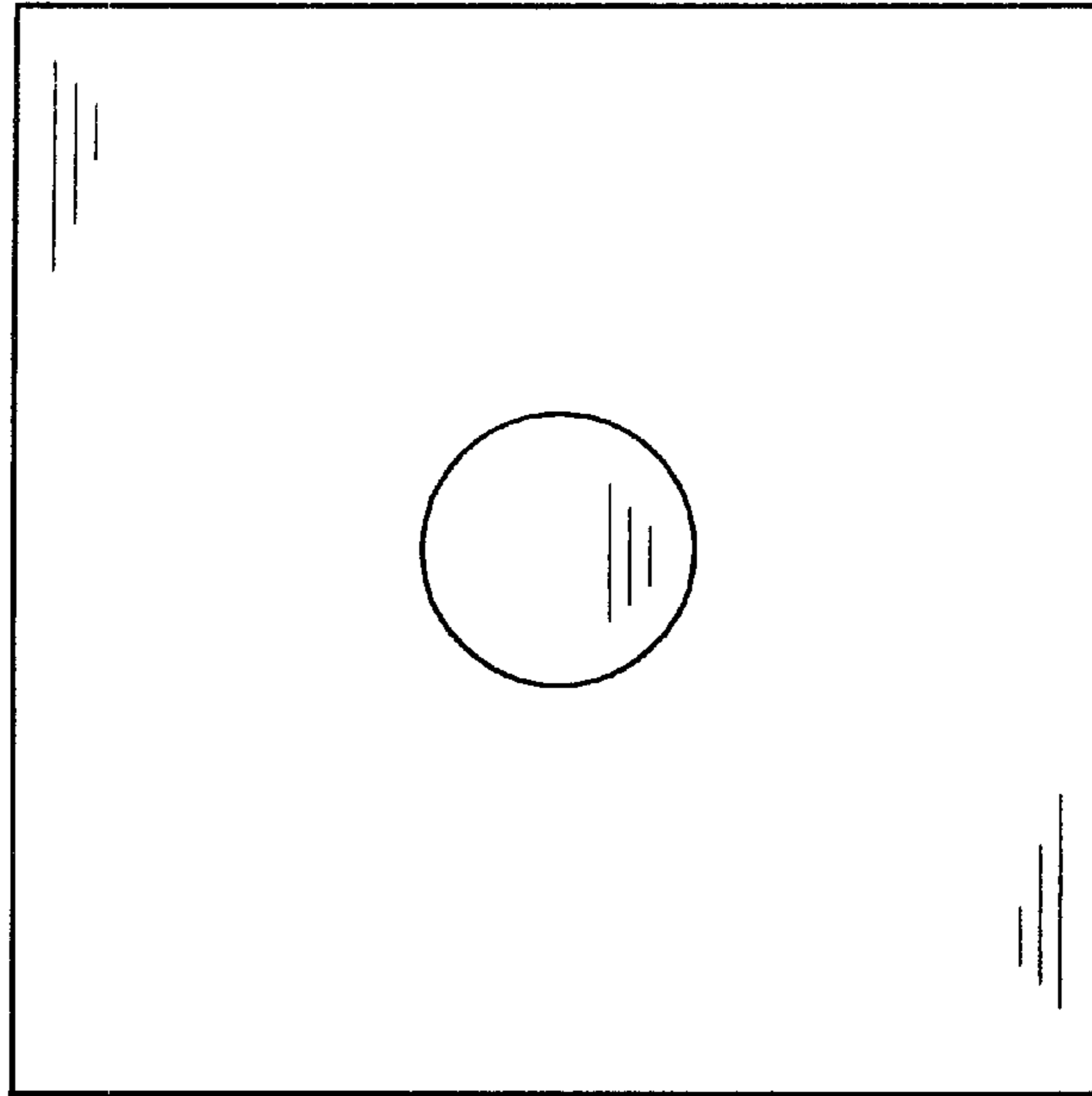


FIG. 17

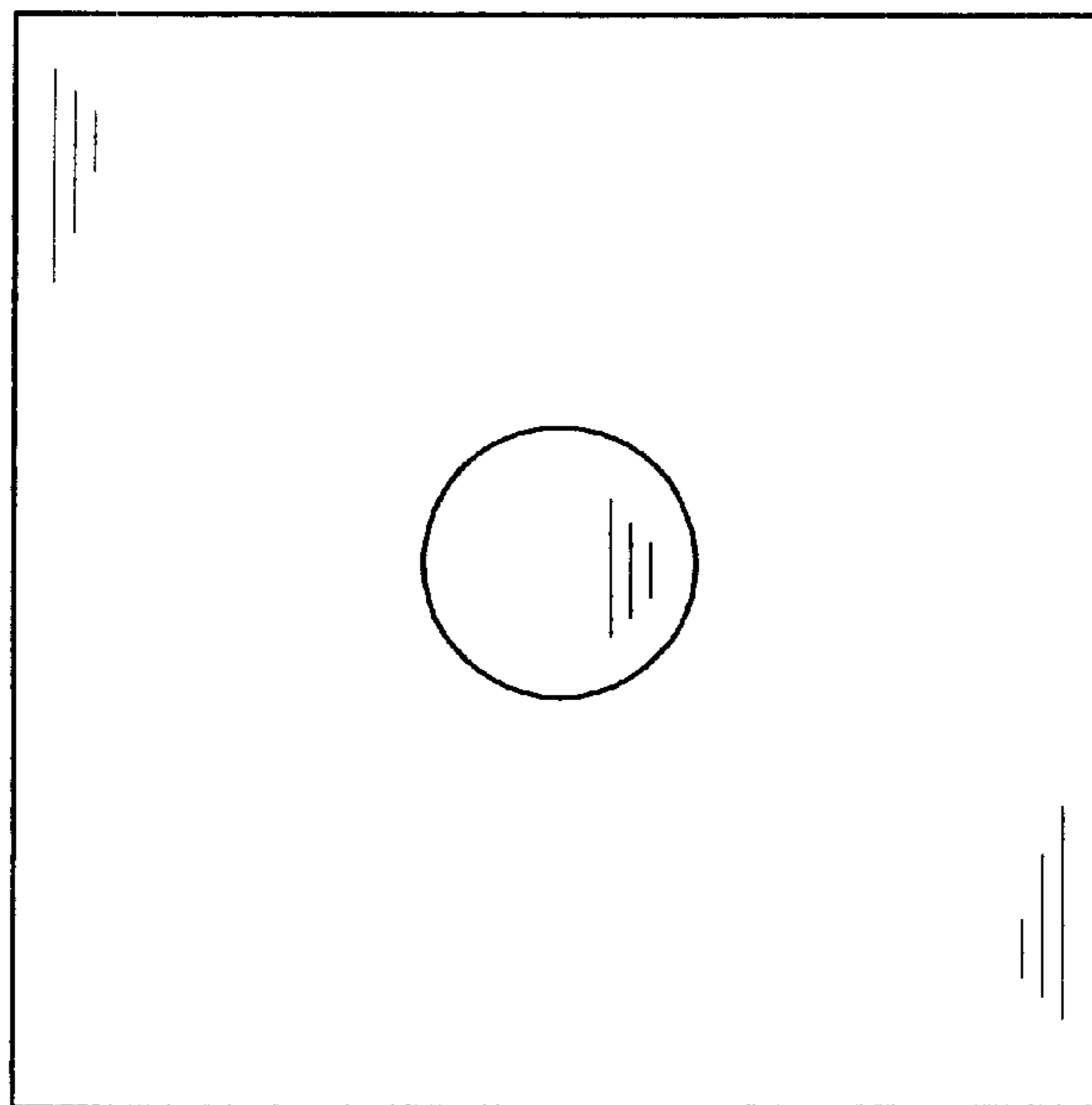


FIG. 18

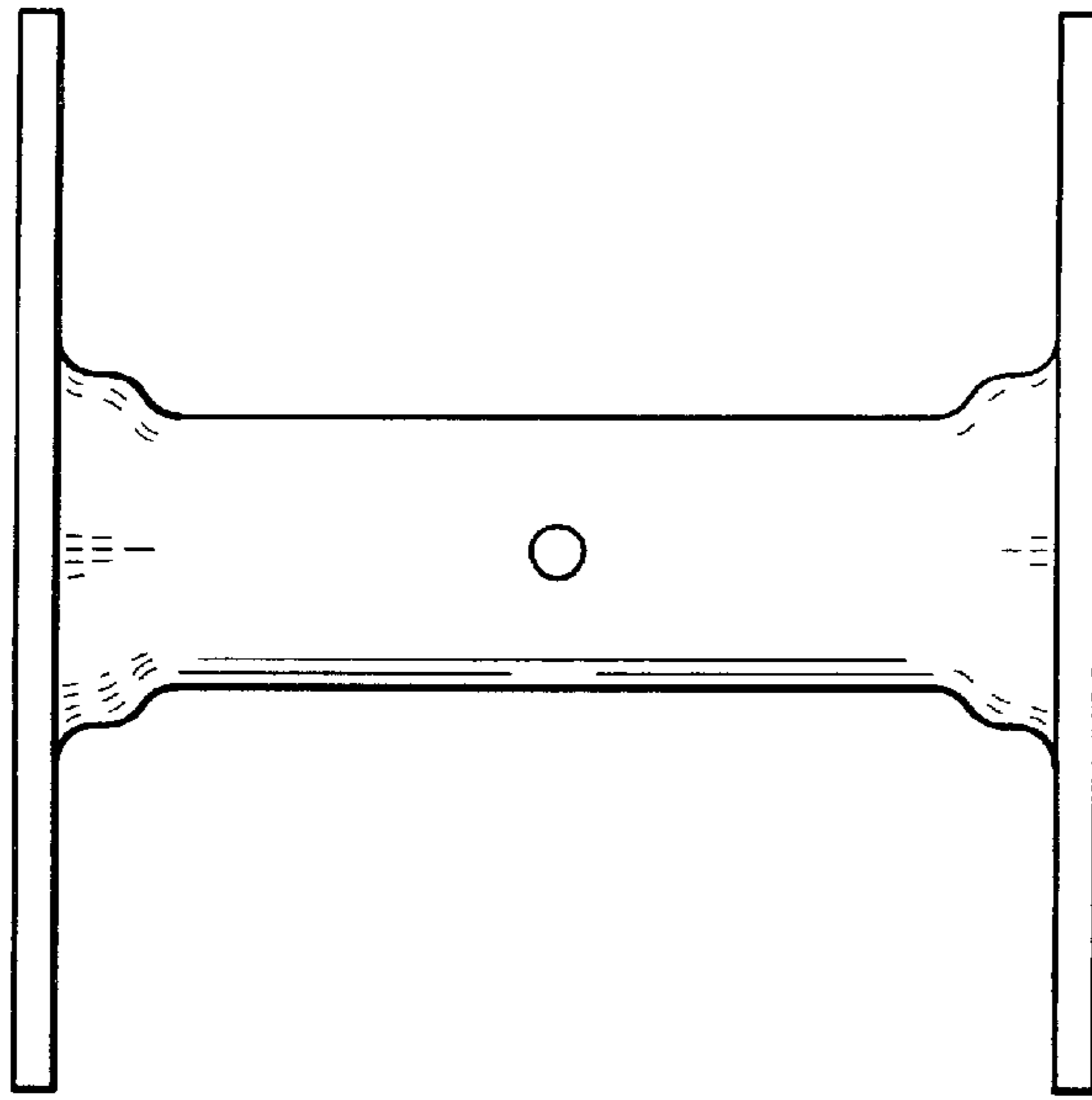


FIG. 19

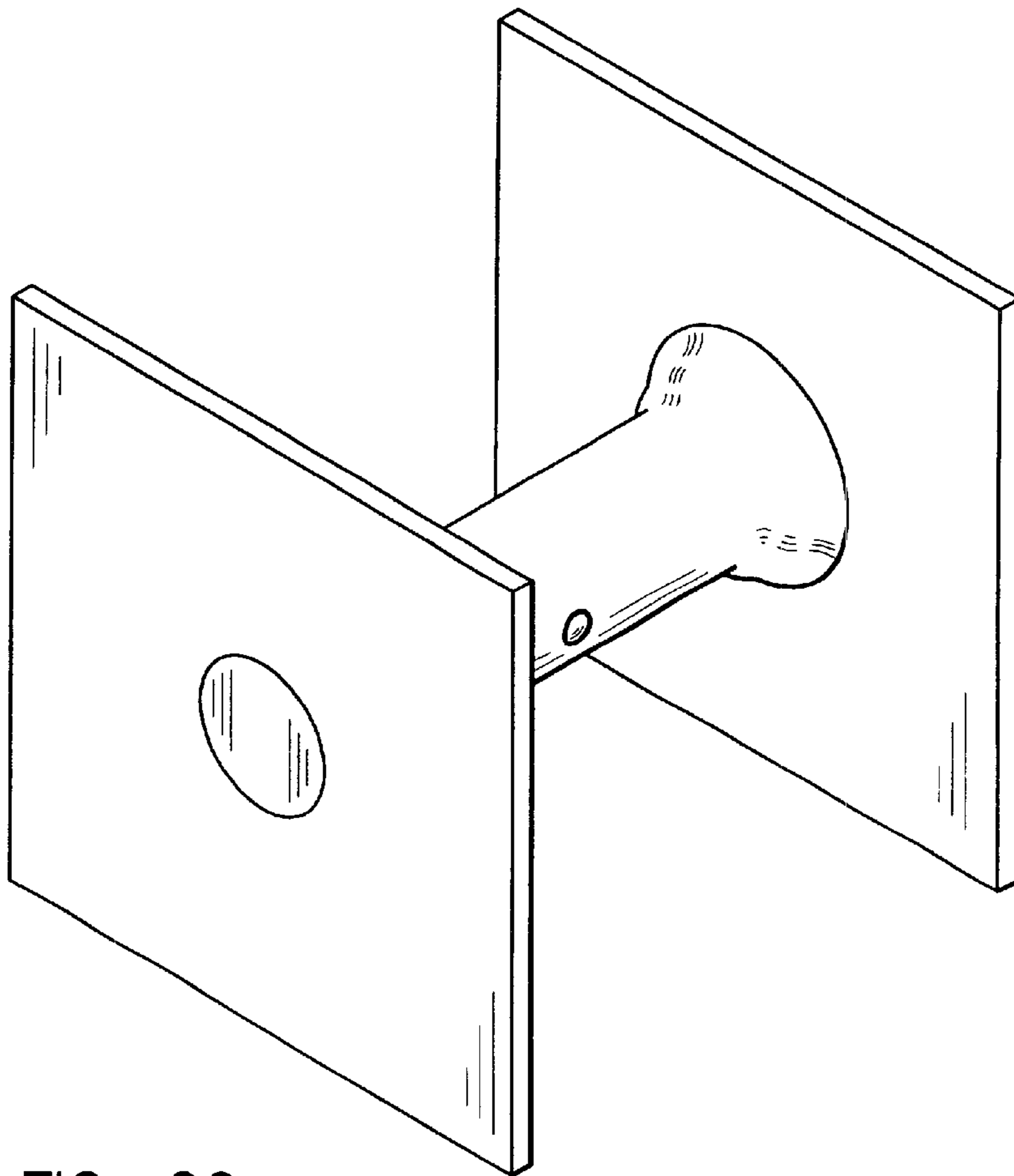


FIG. 20

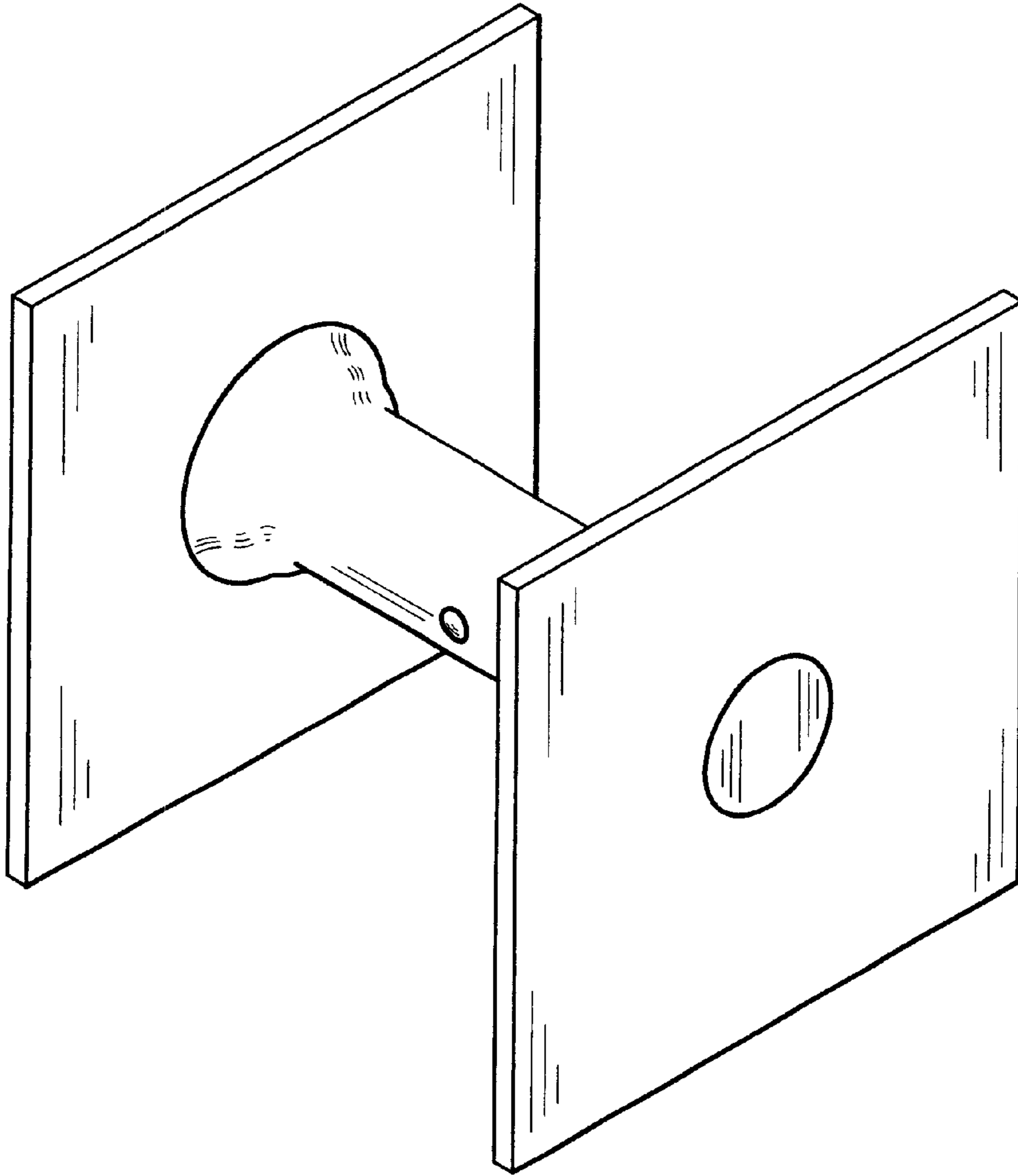


FIG. 21