



US00D476910S

(12) **United States Design Patent**  
**Chen**

(10) **Patent No.:** **US D476,910 S**

(45) **Date of Patent:** **\*\* Jul. 8, 2003**

(54) **ACOUSTIC LEVEL CALIBRATOR**

(76) Inventor: **Li-Chuan Chen**, 7th Fl., No. 31, Lane  
513, Ruikwang Rd., Taipei (TW)

(\*\*) Term: **14 Years**

(21) Appl. No.: **29/167,885**

(22) Filed: **Sep. 24, 2002**

(51) **LOC (7) Cl.** ..... **10-04**

(52) **U.S. Cl.** ..... **D10/46**

(58) **Field of Search** ..... D10/46; 73/1.82;  
367/13

(56) **References Cited**

**U.S. PATENT DOCUMENTS**

4,715,219 A \* 12/1987 Frederiksen ..... 73/1.82  
5,567,863 A \* 10/1996 Larson et al. .... 73/1.82

\* cited by examiner

*Primary Examiner*—Antoine Duval Davis  
(74) *Attorney, Agent, or Firm*—Bacon & Thomas, PLLC

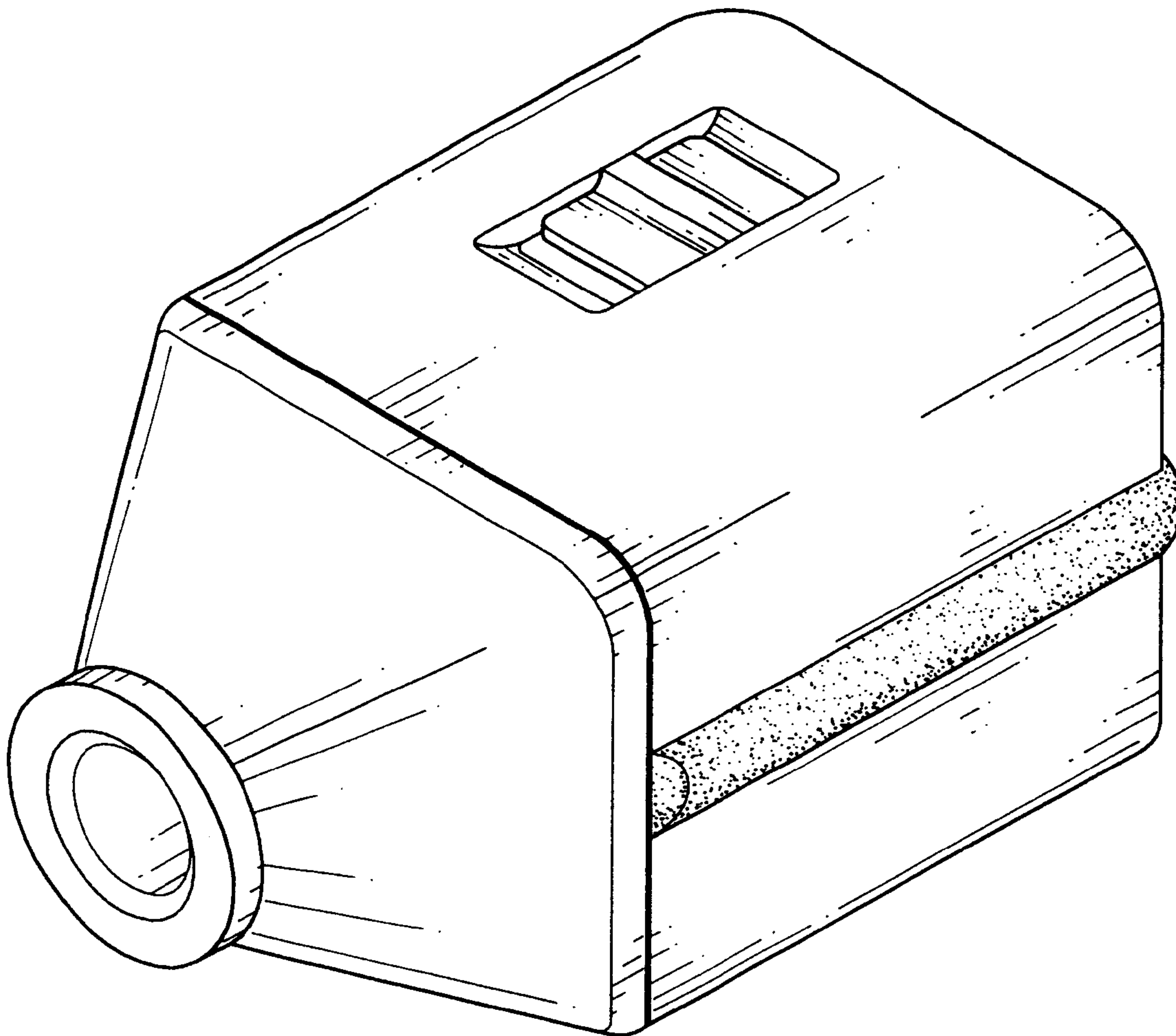
(57) **CLAIM**

The ornamental design for a acoustic level calibrator, as shown and described.

**DESCRIPTION**

FIG. 1 is a perspective view of a acoustic level calibrator, showing my new design;  
FIG. 2 is a front elevational view thereof;  
FIG. 3 is a rear elevational view thereof;  
FIG. 4 is a left elevational view thereof, the right elevational view is a mirror image of the left elevational view;  
FIG. 5 is a top plan view thereof; and  
FIG. 6 is a bottom plan view thereof; and,  
FIG. 7 is a perspective view thereof, the elements shown in broken lines is for illustrative purpose only and forms no part of the claimed design.

**1 Claim, 6 Drawing Sheets**



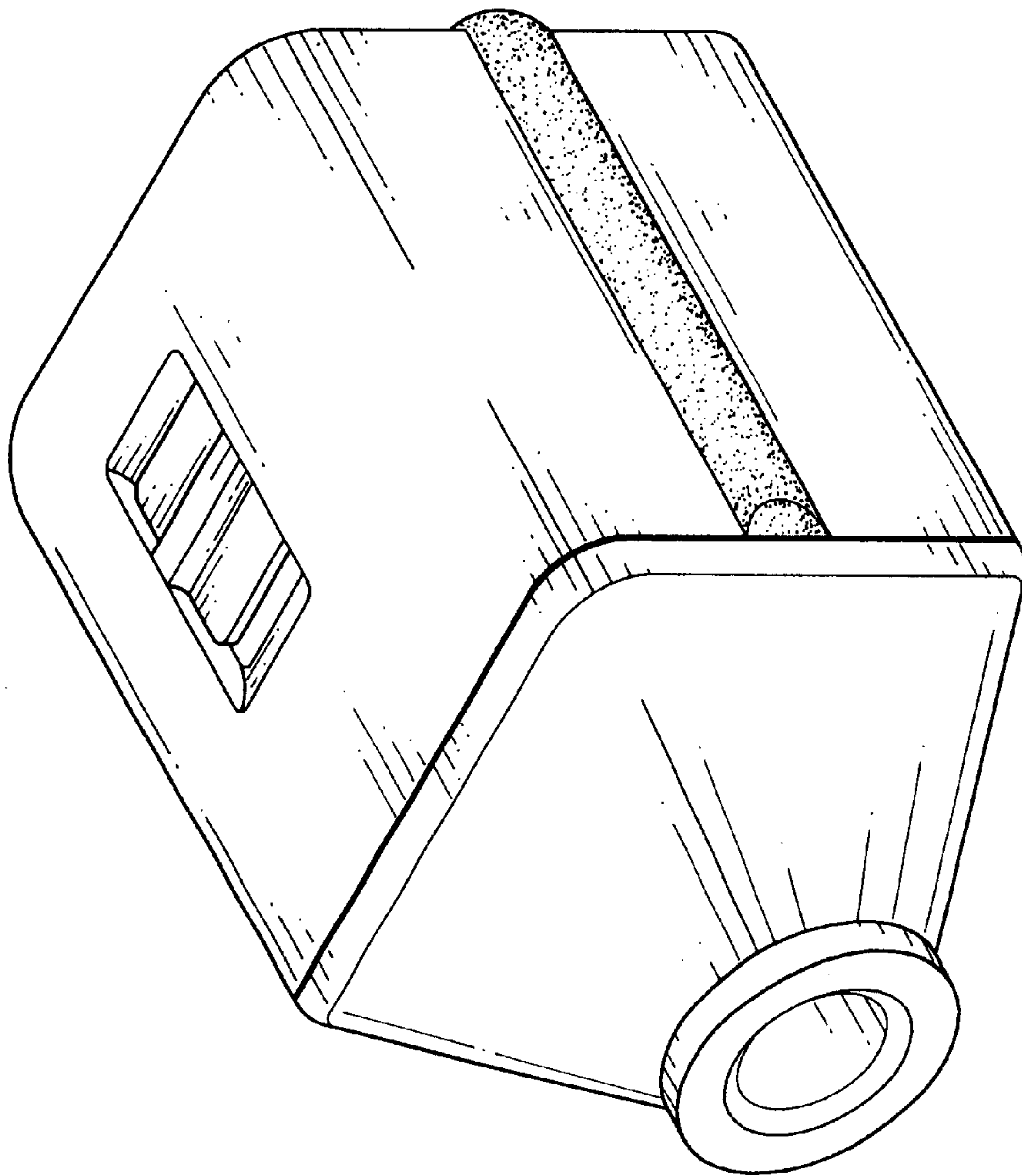


FIG. 1

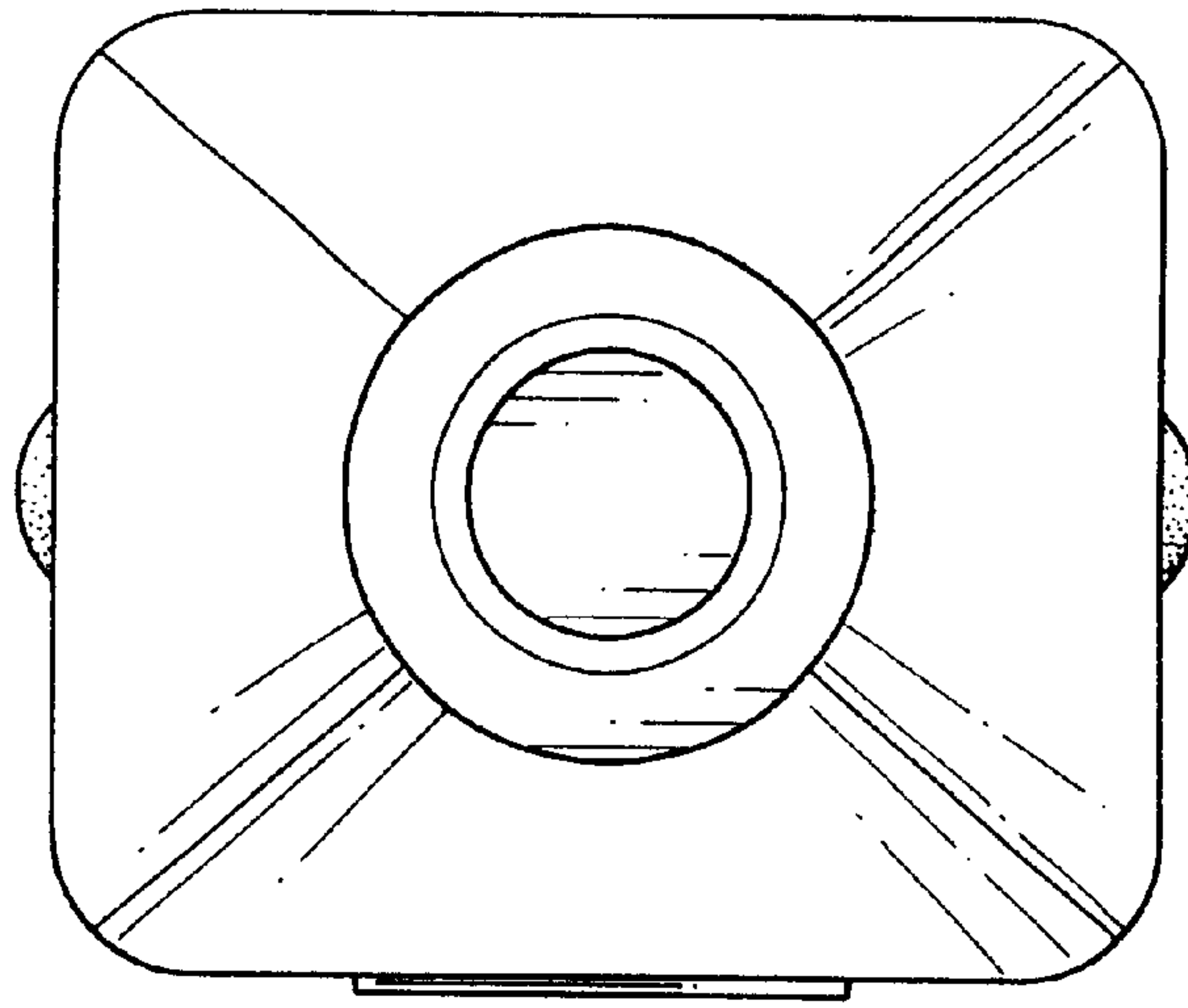


FIG. 2

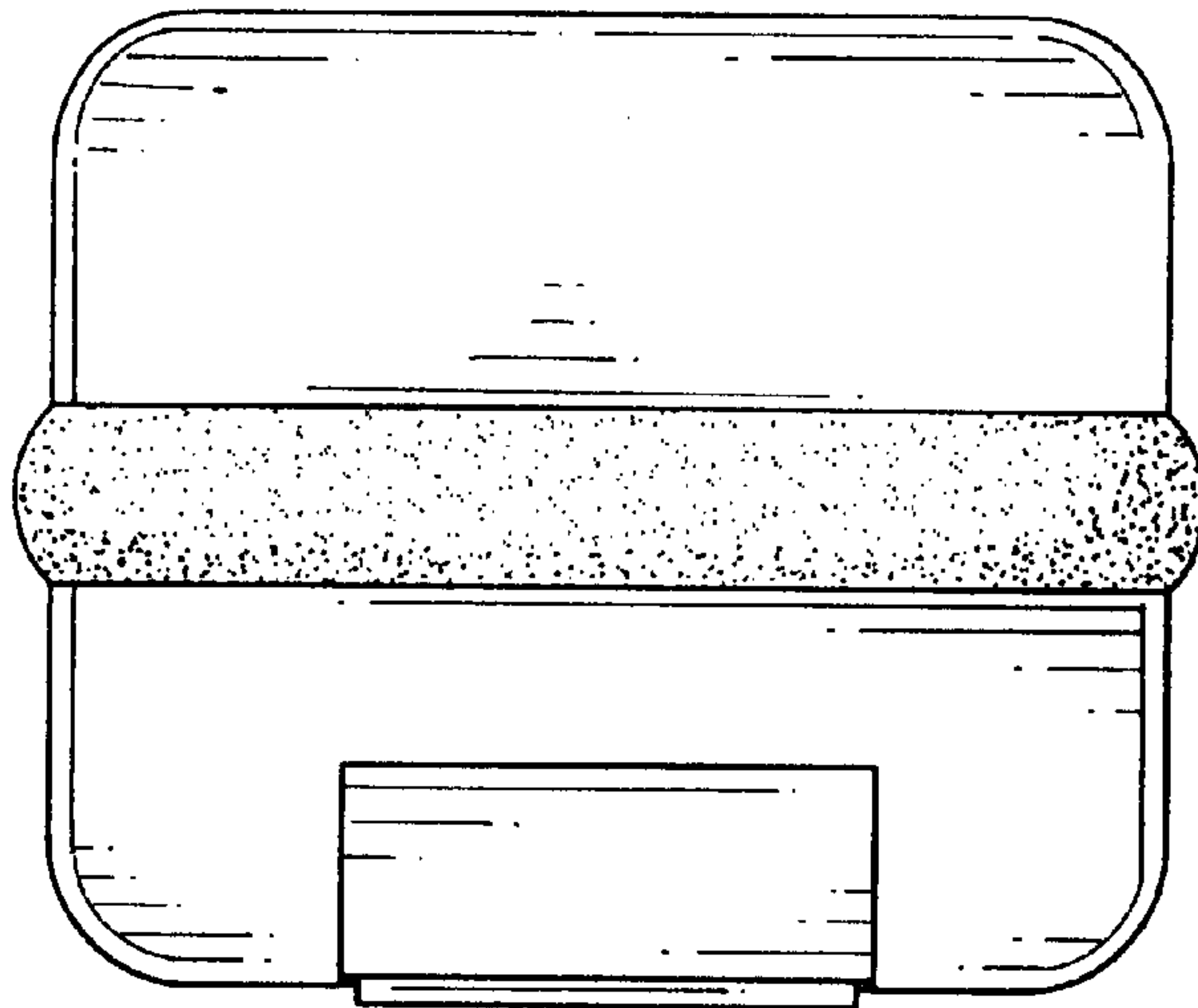


FIG. 3

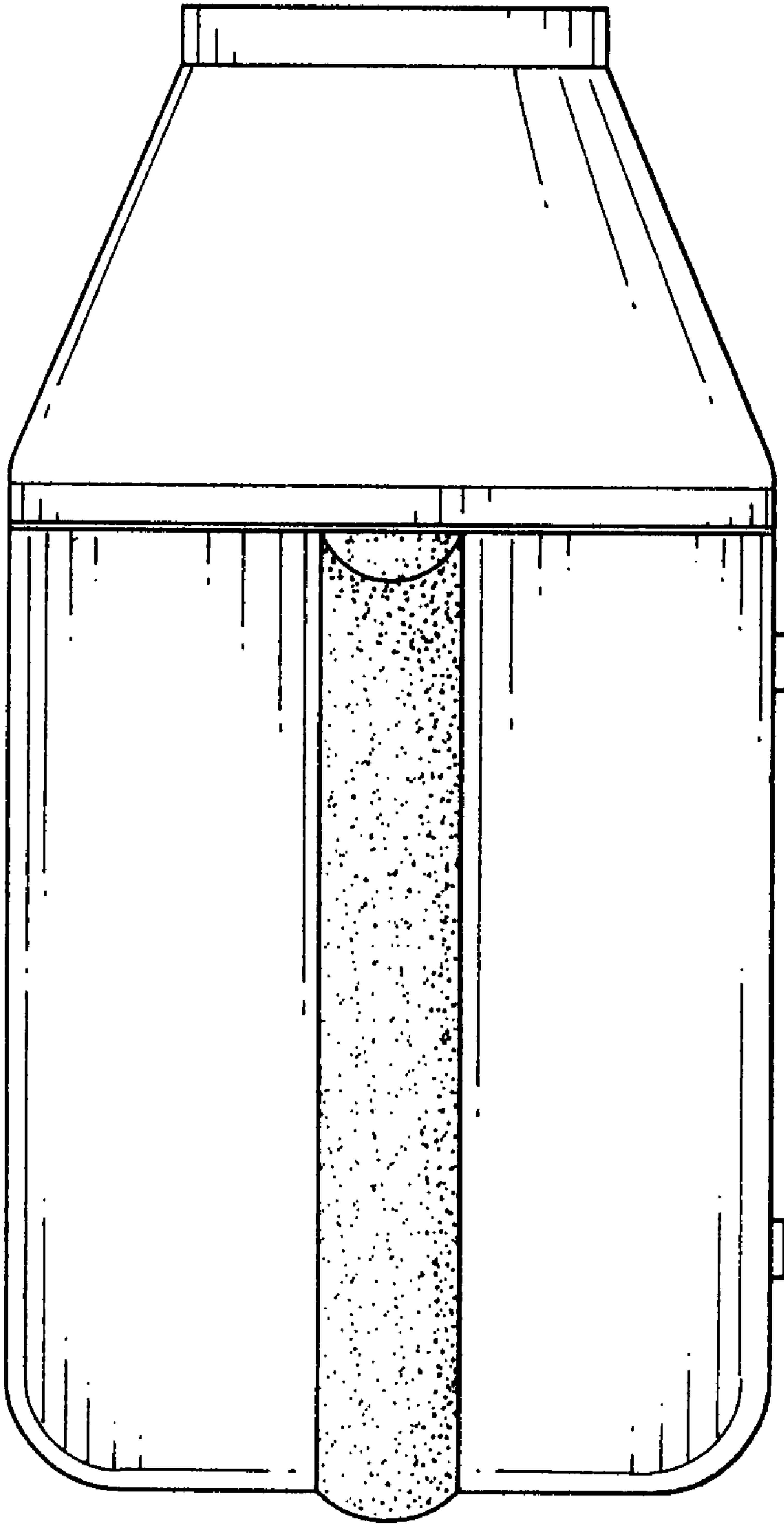


FIG. 4

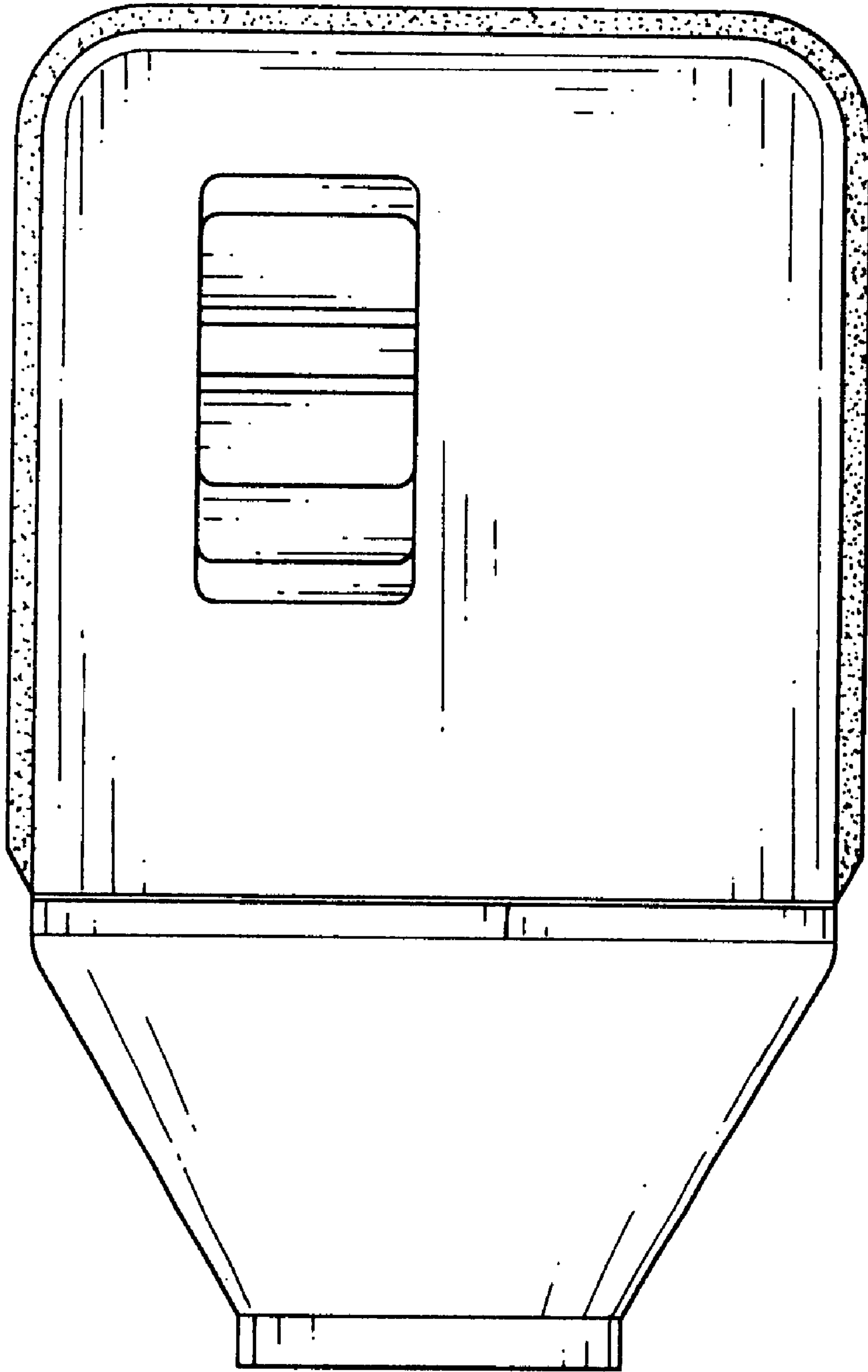


FIG. 5

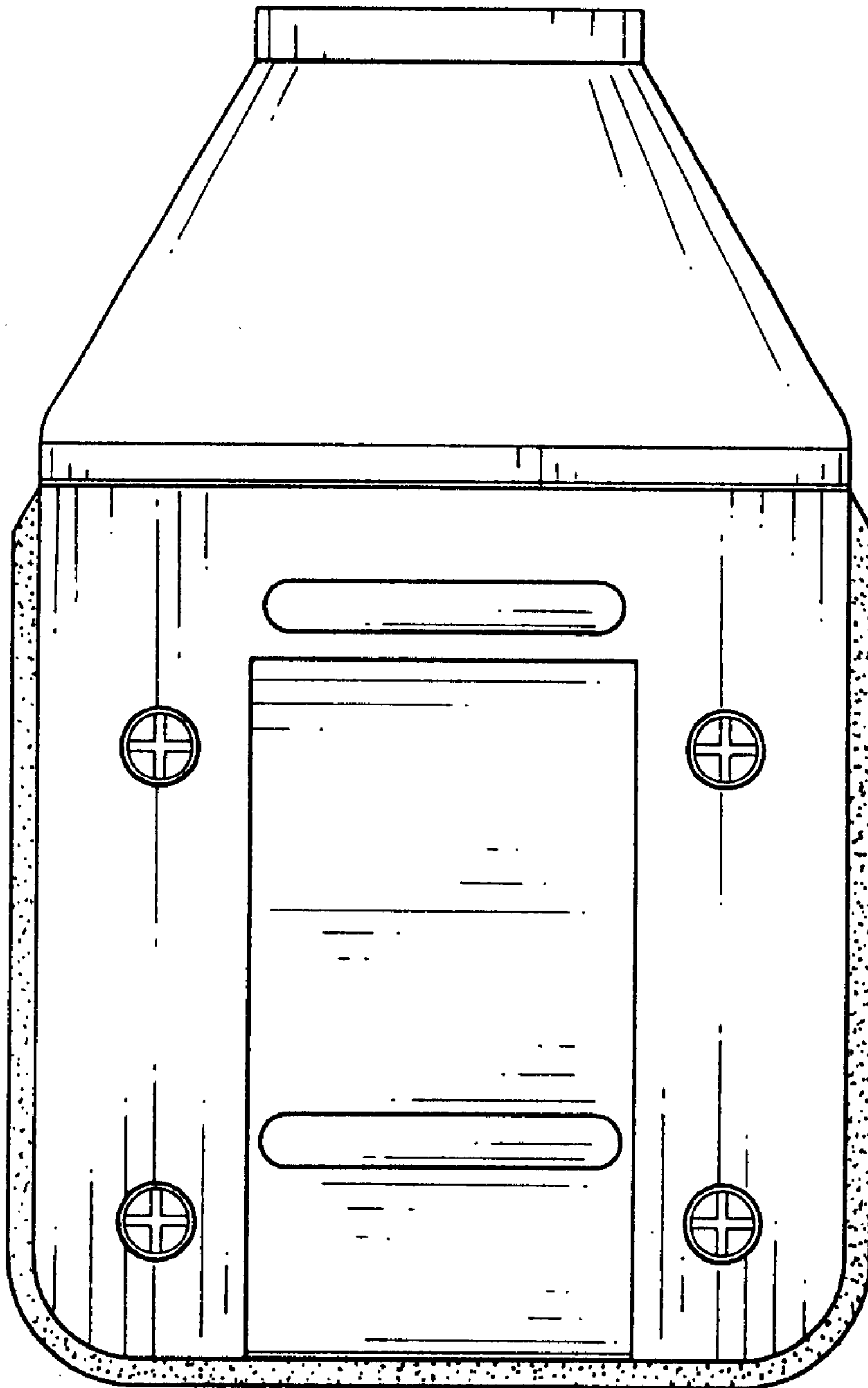


FIG. 6



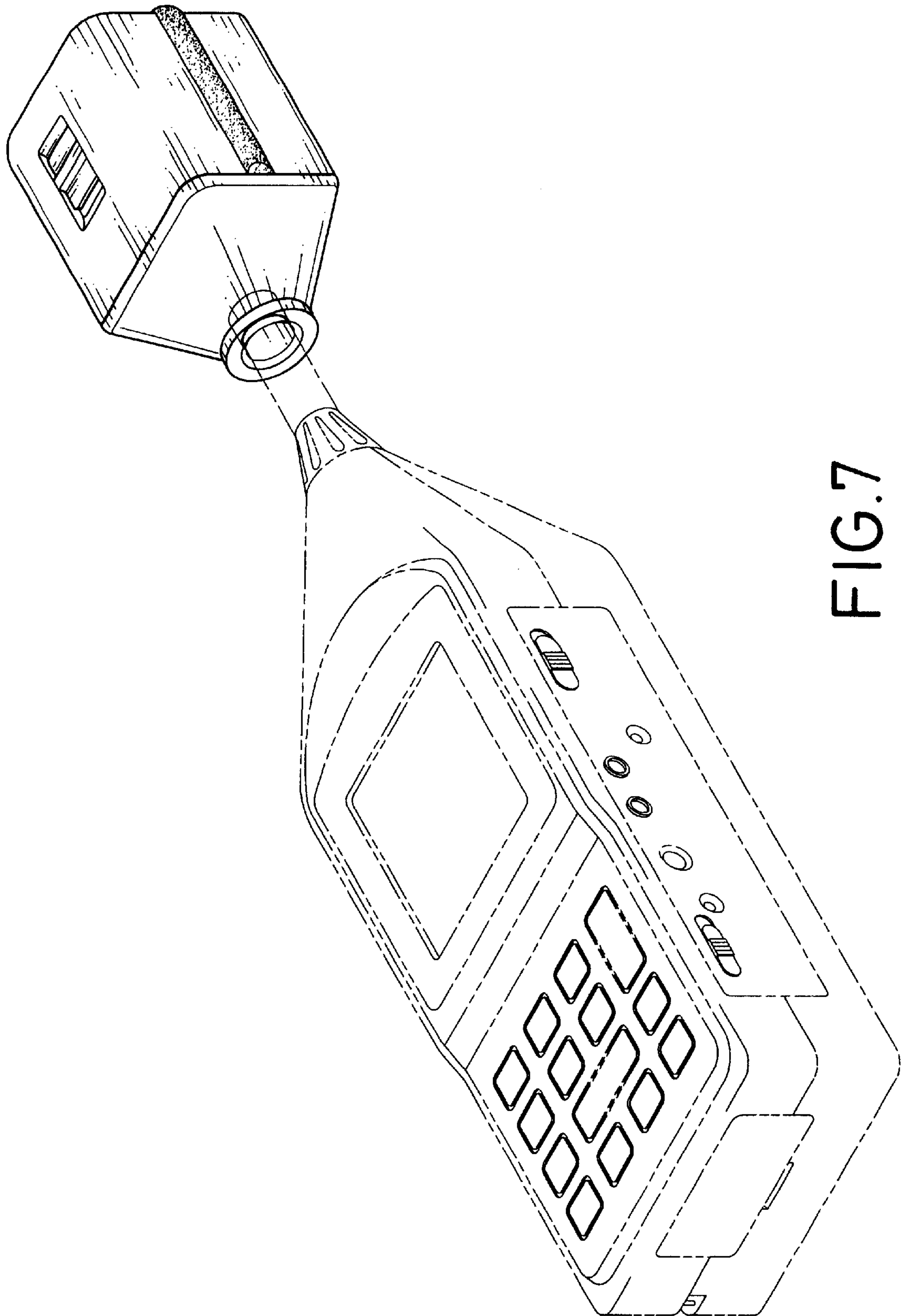


FIG.7