



US00D476906S

(12) **United States Design Patent**
Nussbaum

(10) **Patent No.:** **US D476,906 S**

(45) **Date of Patent:** **** Jul. 8, 2003**

(54) **WATCH CASE**

2002/0064099 A1 * 5/2002 Wyssbrod 368/113

(75) Inventor: **Augustin Nussbaum**, Neuchâtel (CH)

OTHER PUBLICATIONS

(73) Assignee: **Swatch AG**, Bienne (CH)

Swiss Watch & Jewelry Journal—1987—p. 709—Swatch watches at bottom-right.*

(**) Term: **14 Years**

Bloomington Cat.—Jun. 1994—p. 22—Swatch watches.*
European Jeweler (DGZ)—May 1977—p.42—5 watches at middle.*

(21) Appl. No.: **29/163,782**

Jeweler's Circular—Keystone—Aug. 1985—p. 53—2 watches at center-left.*

(22) Filed: **Jul. 12, 2002**

(30) **Foreign Application Priority Data**

* cited by examiner

Jan. 14, 2002 (WO) DM/058 479

Primary Examiner—Nelson C. Holtje

(51) **LOC (7) Cl.** **10-02**

(74) *Attorney, Agent, or Firm*—Collen IP; Donald J. Ranft

(52) **U.S. Cl.** **D10/30**

(57) **CLAIM**

(58) **Field of Search** D10/1-40, 122-132;
368/280-282, 276-277, 285, 294-295

The ornamental design for a watch case, as shown and described.

(56) **References Cited**

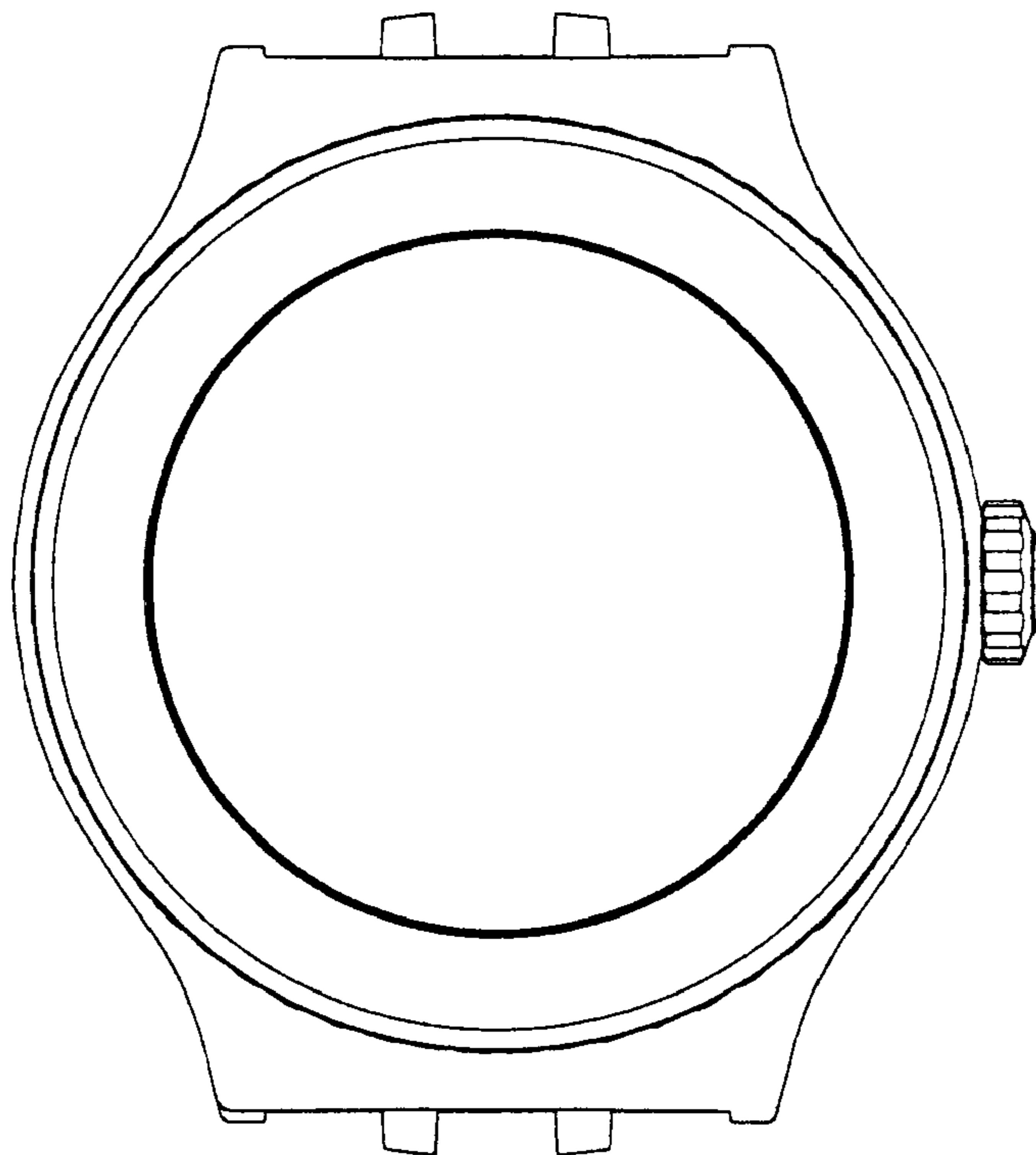
DESCRIPTION

U.S. PATENT DOCUMENTS

FIG. 1 is a front view of my new and ornamental design for a watch case;
FIG. 2 is a back view thereof;
FIG. 3 is a top view thereof;
FIG. 4 is a bottom view thereof;
FIG. 5 is a right side view thereof;
FIG. 6 is a left side view thereof; and,
FIG. 7 is a right front perspective view thereof.

D246,577 S	*	12/1977	Inaba	D10/30
D283,401 S	*	4/1986	Lung	D10/30
4,624,581 A	*	11/1986	Mock et al.	368/282
D323,996 S	*	2/1992	Nakazawa	D10/39
D327,023 S	*	6/1992	Dizier	D10/39
D327,445 S	*	6/1992	Fujihara	D10/39
D357,421 S	*	4/1995	Tsukada	D10/39
D413,816 S	*	9/1999	Schiavo et al.	D10/30
D449,005 S	*	10/2001	Ando	D10/30
D457,818 S	*	5/2002	Avranches	D10/39

1 Claim, 7 Drawing Sheets



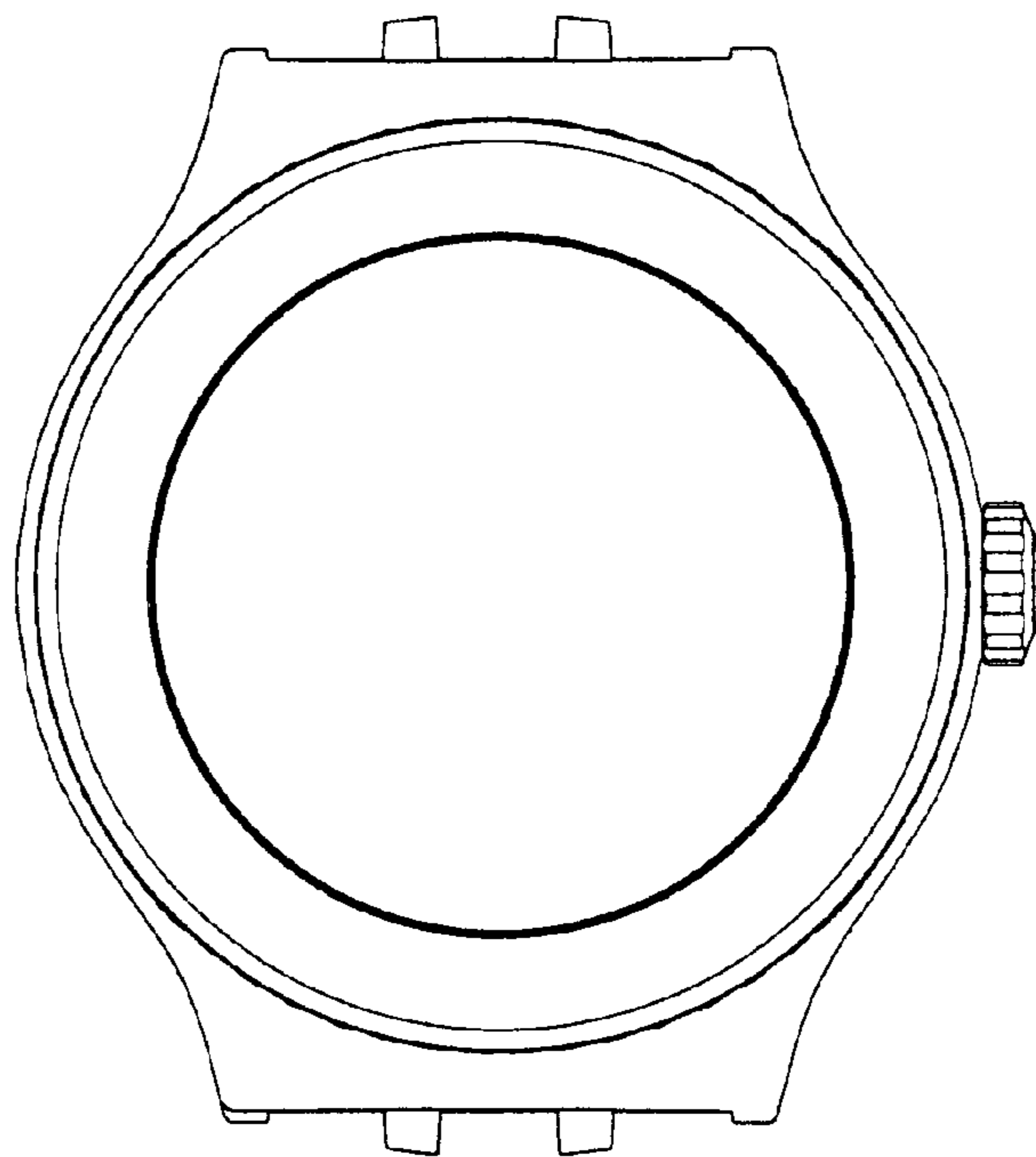


Figure 1

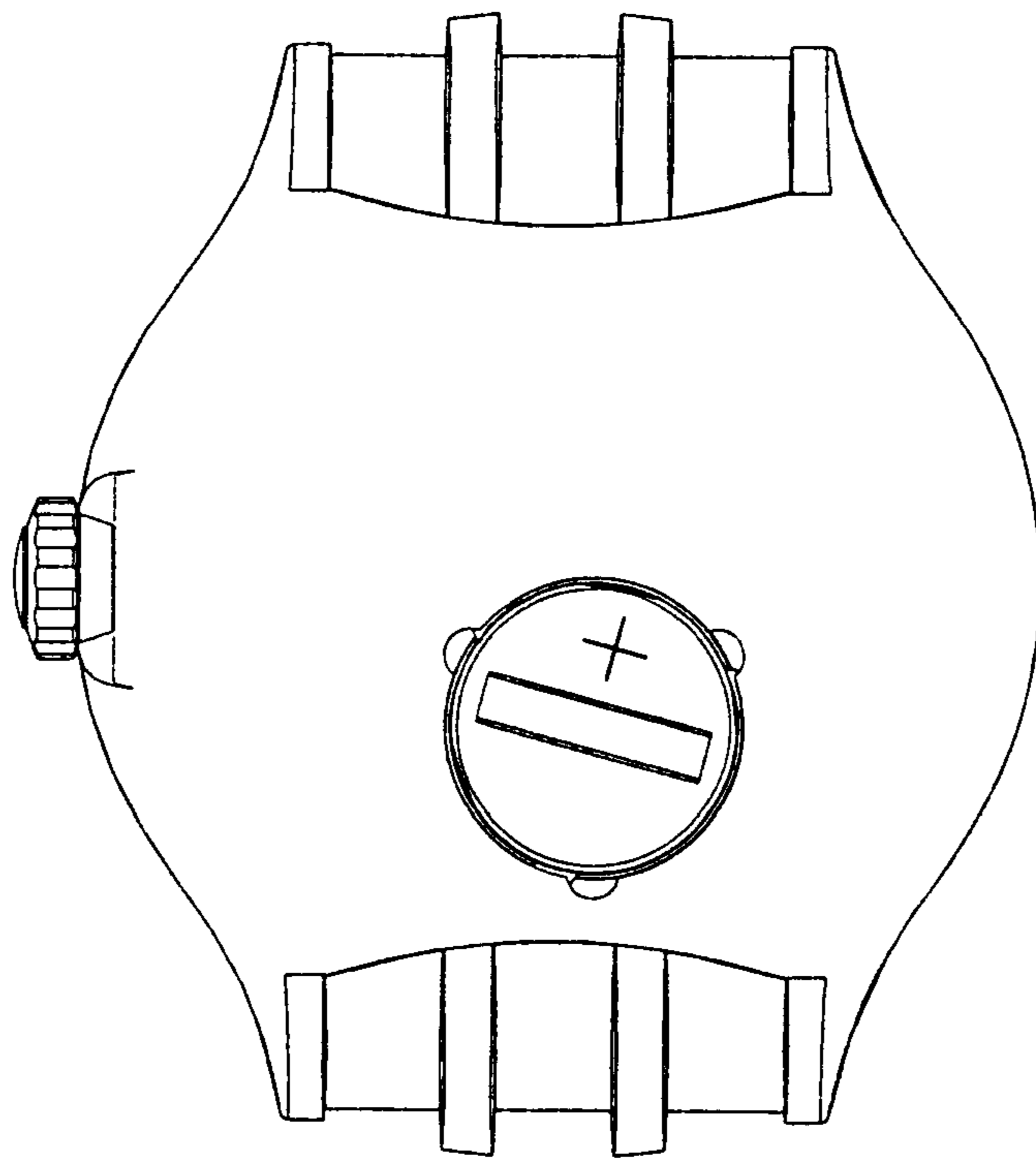


Figure 2

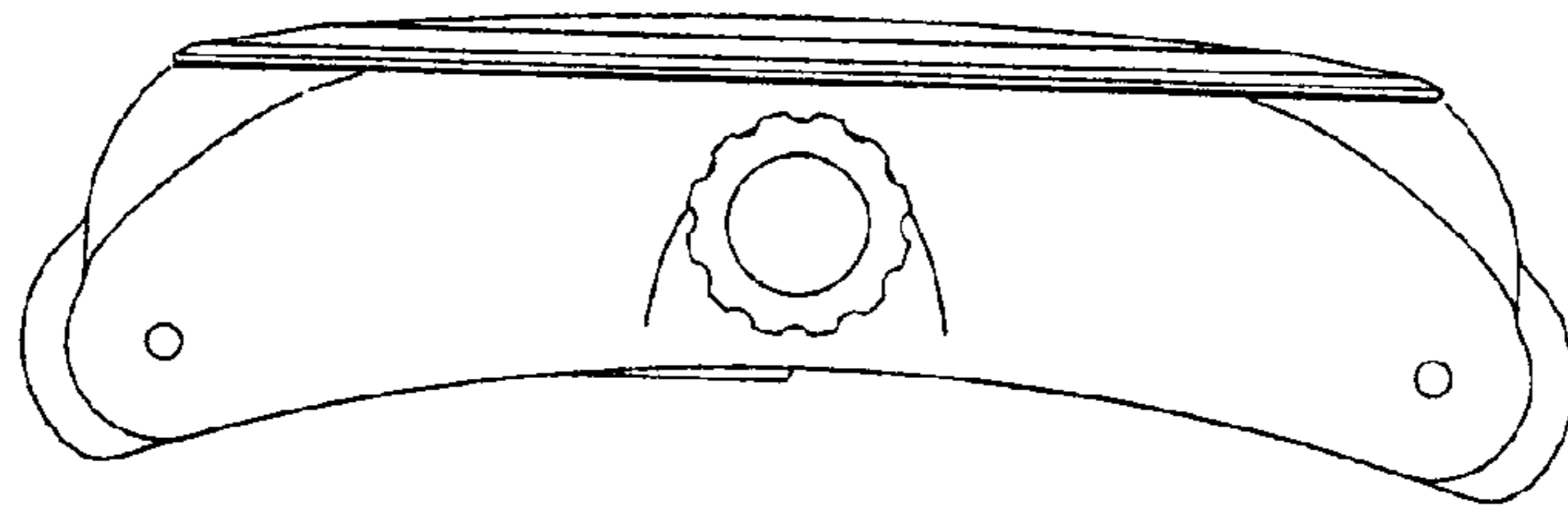


Figure 3

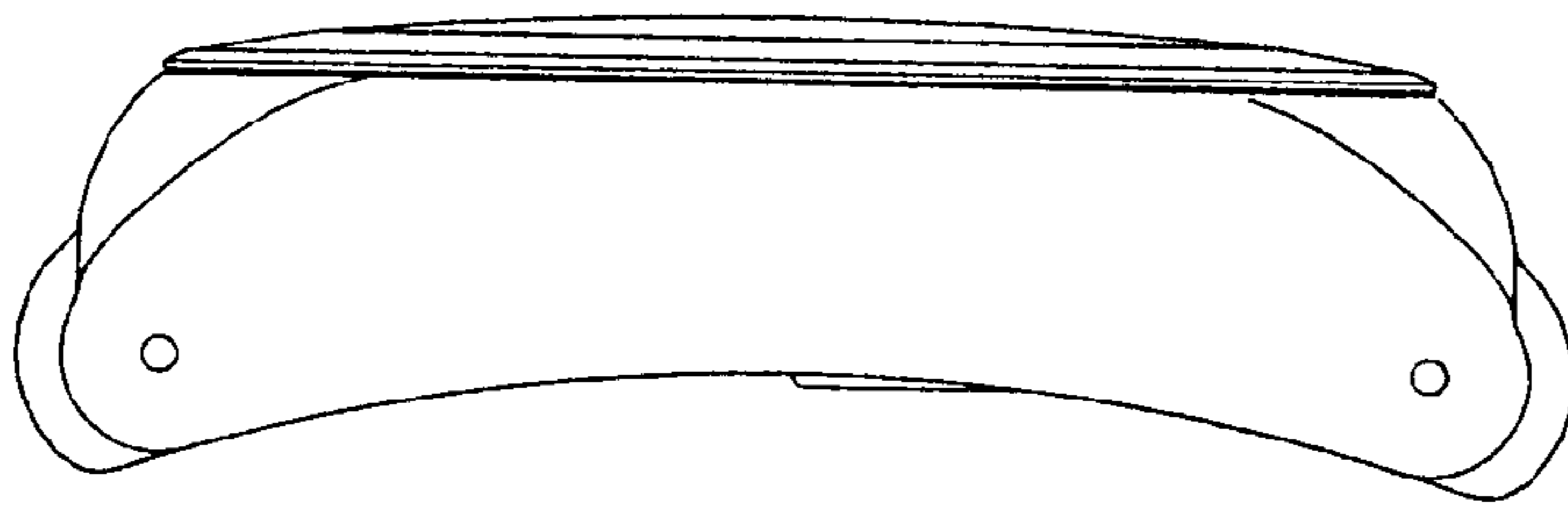


Figure 4

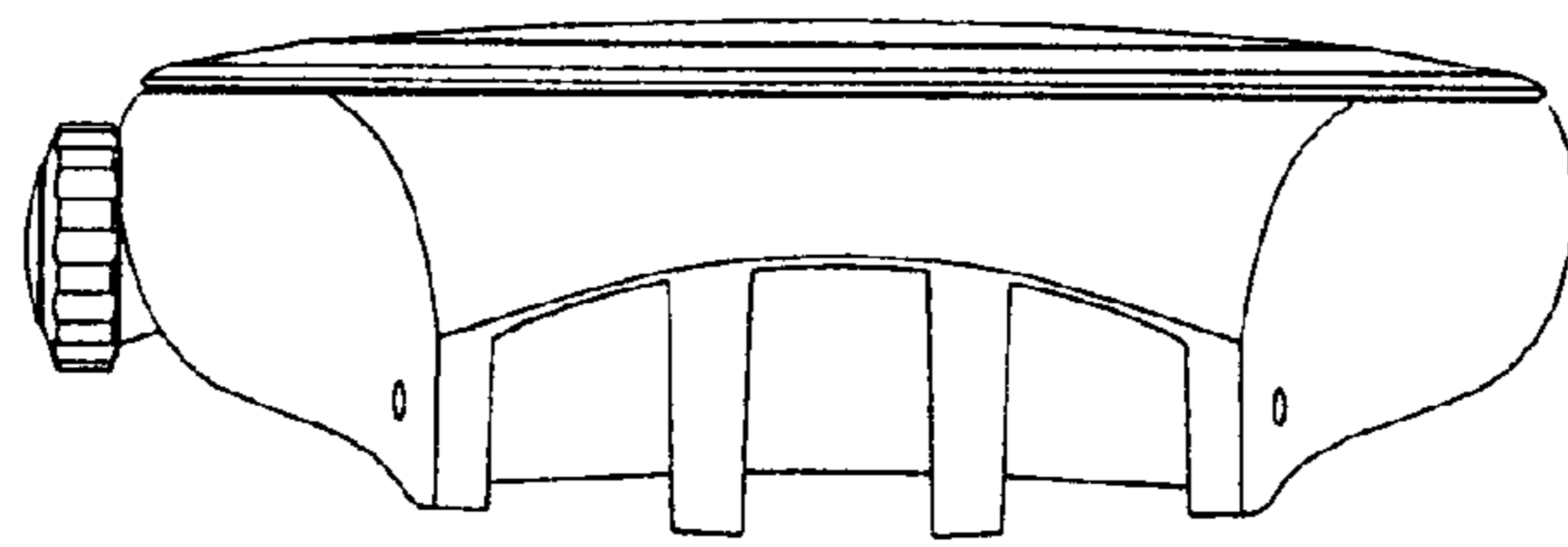


Figure 5

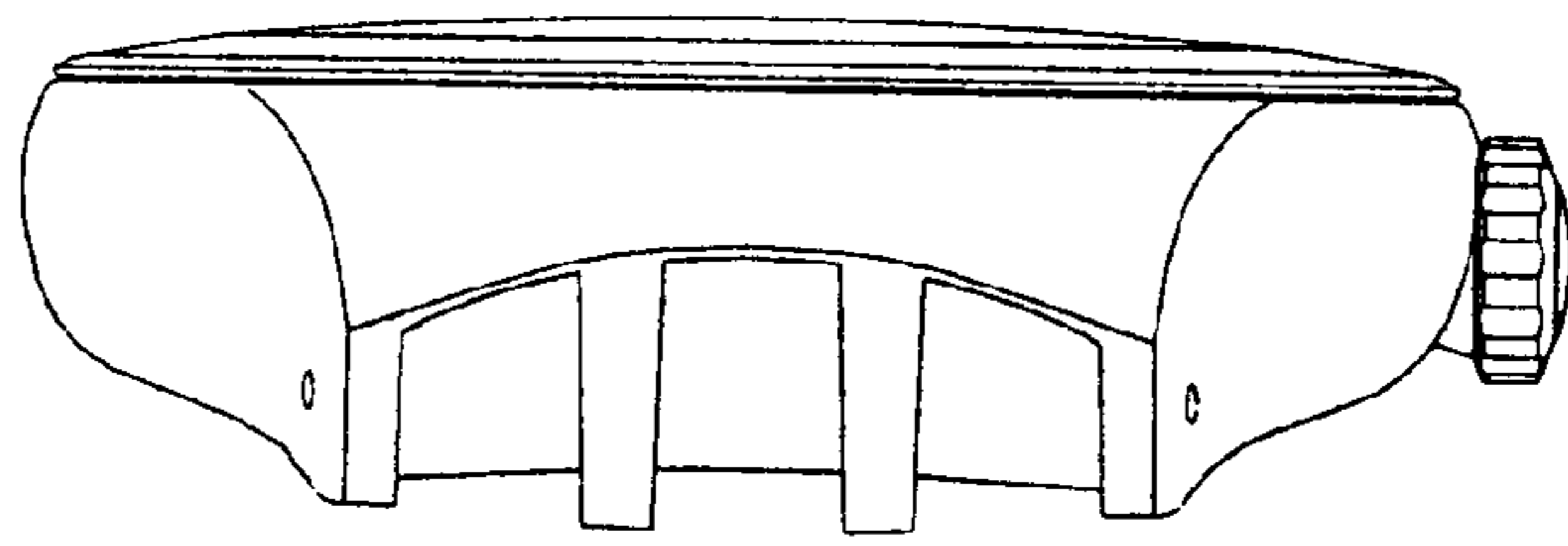


Figure 6

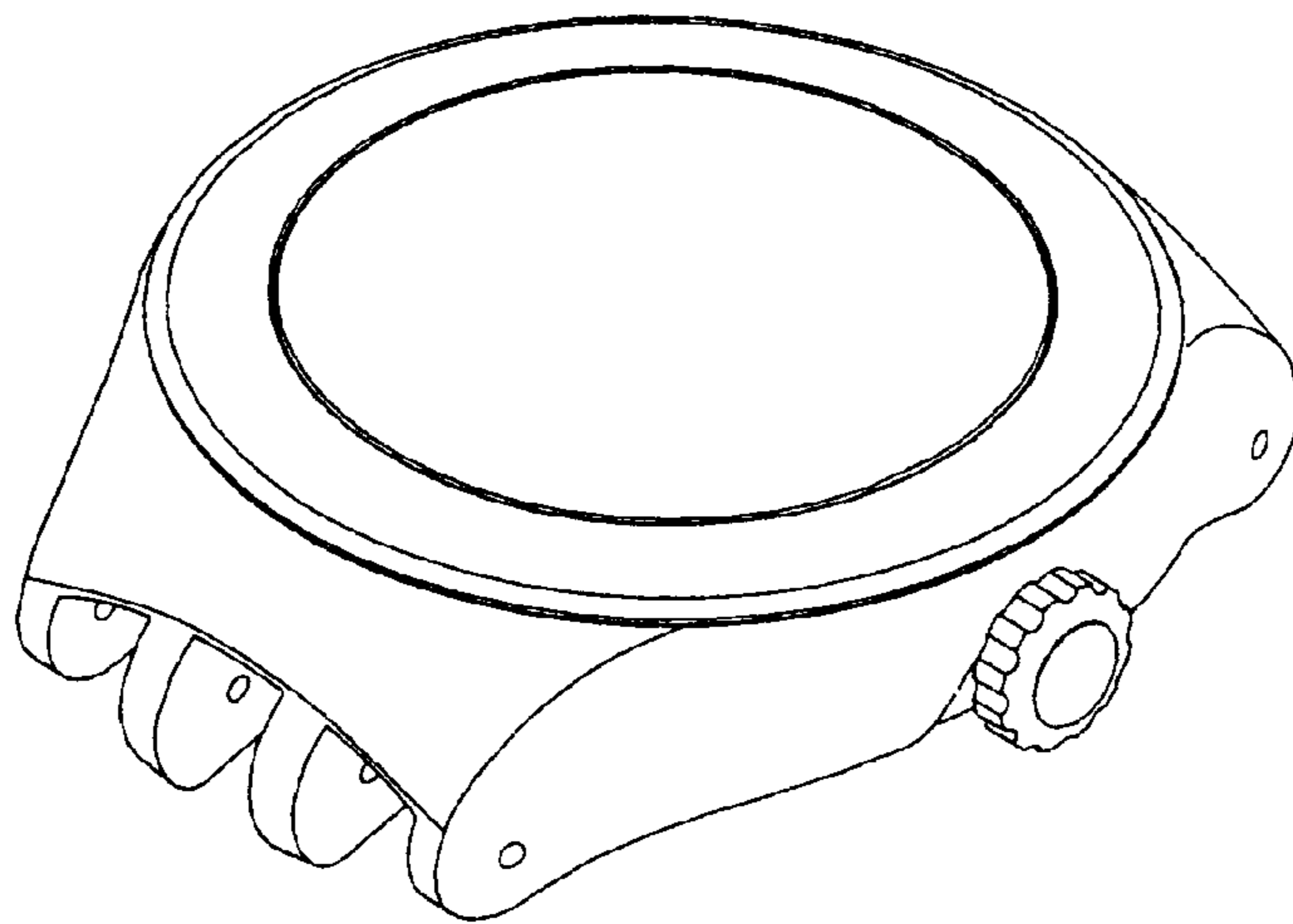


Figure 7