



US00D476896S

(12) **United States Design Patent**
Cheng et al.

(10) **Patent No.: US D476,896 S**

(45) **Date of Patent: ** Jul. 8, 2003**

(54) **CONTAINER BASE**

(75) Inventors: **J. John Cheng**, Burr Ridge, IL (US);
XiaoXu Yuan, Chicago Ridge, IL (US)

(73) Assignee: **Crown Cork & Seal Technologies Corporation**, Alsip, IL (US)

(**) Term: **14 Years**

5,503,283 A	*	4/1996	Semersky	215/375
5,549,210 A	*	8/1996	Cheng	215/375
D374,176 S	*	10/1996	Sillince et al.	D9/520 X
5,971,184 A	*	10/1999	Krishnakumar et al.	215/384
RE36,639 E		4/2000	Okhai		
D433,624 S	*	11/2000	Negre	D9/520 X
6,153,145 A		11/2000	Desoutter et al.		
6,260,724 B1	*	7/2001	Young et al.	215/375
D459,658 S	*	7/2002	Darr et al.	D9/520

FOREIGN PATENT DOCUMENTS

EP	0293147 A2	11/1988
EP	0479393 B1	4/1992
EP	0808278 B1	11/1997

* cited by examiner

Primary Examiner—Ted Shooman

Assistant Examiner—Carol Rademaker

(74) *Attorney, Agent, or Firm*—Knoble & Yoshida, LLC

(21) Appl. No.: **29/148,228**

(22) Filed: **Sep. 17, 2001**

(51) **LOC (7) Cl.** **09-01**

(52) **U.S. Cl.** **D9/520**

(58) **Field of Search** D9/500, 502–505,
D9/516, 520, 537–543, 544–546, 549, 574–575;
215/373, 375, 382–384, 396, 398, 400;
220/606, 608, 675

(56) **References Cited**

U.S. PATENT DOCUMENTS

3,036,627 A	*	6/1962	Daley	220/606 X
D230,470 S	*	2/1974	Frohn	D9/520
4,134,510 A		1/1979	Chang		
4,247,012 A	*	1/1981	Alberghini	215/373
4,525,401 A		6/1985	Pocock et al.		
4,576,843 A		3/1986	Beck et al.		
4,598,831 A		7/1986	Nakamura et al.		
4,755,404 A		7/1988	Collette		
4,889,752 A		12/1989	Beck		
4,892,763 A		1/1990	Duse		
D330,334 S	*	10/1992	Rusnock et al.	D9/500
D363,026 S	*	10/1995	Sillince et al.	D9/500

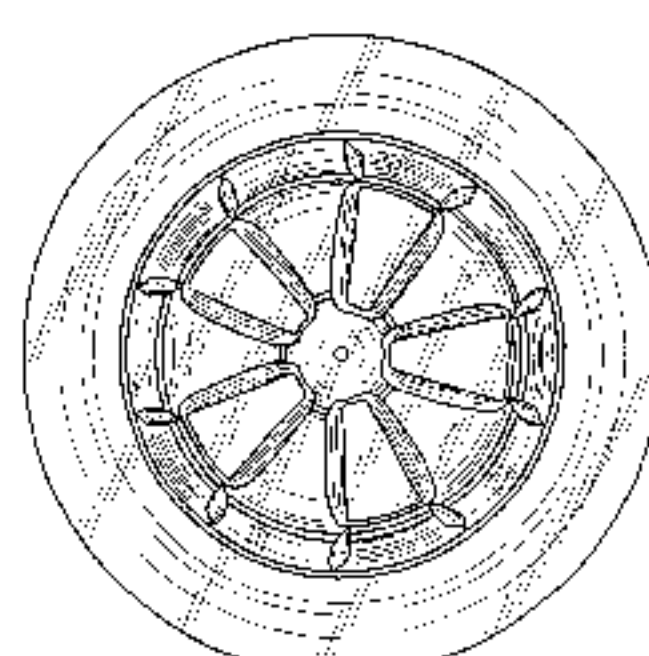
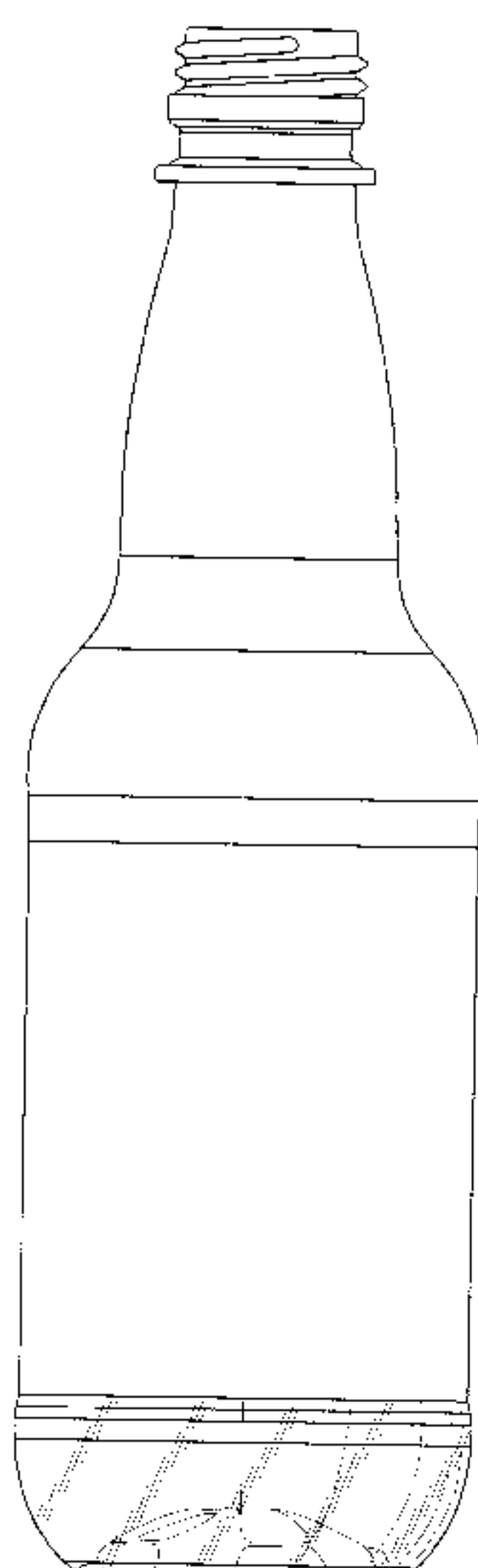
(57) **CLAIM**

The ornamental design for a “container base”, as shown and described.

DESCRIPTION

FIG. 1 is a perspective view showing our new design;
FIG. 2 is a front elevational view, the rear elevational view
being a mirror image thereof;
FIG. 3 is top plan view; and,
FIG. 4 is a bottom plan view.
Any broken lines in the drawings depict probable environ-
ment only and form no part of the claimed design.

1 Claim, 3 Drawing Sheets



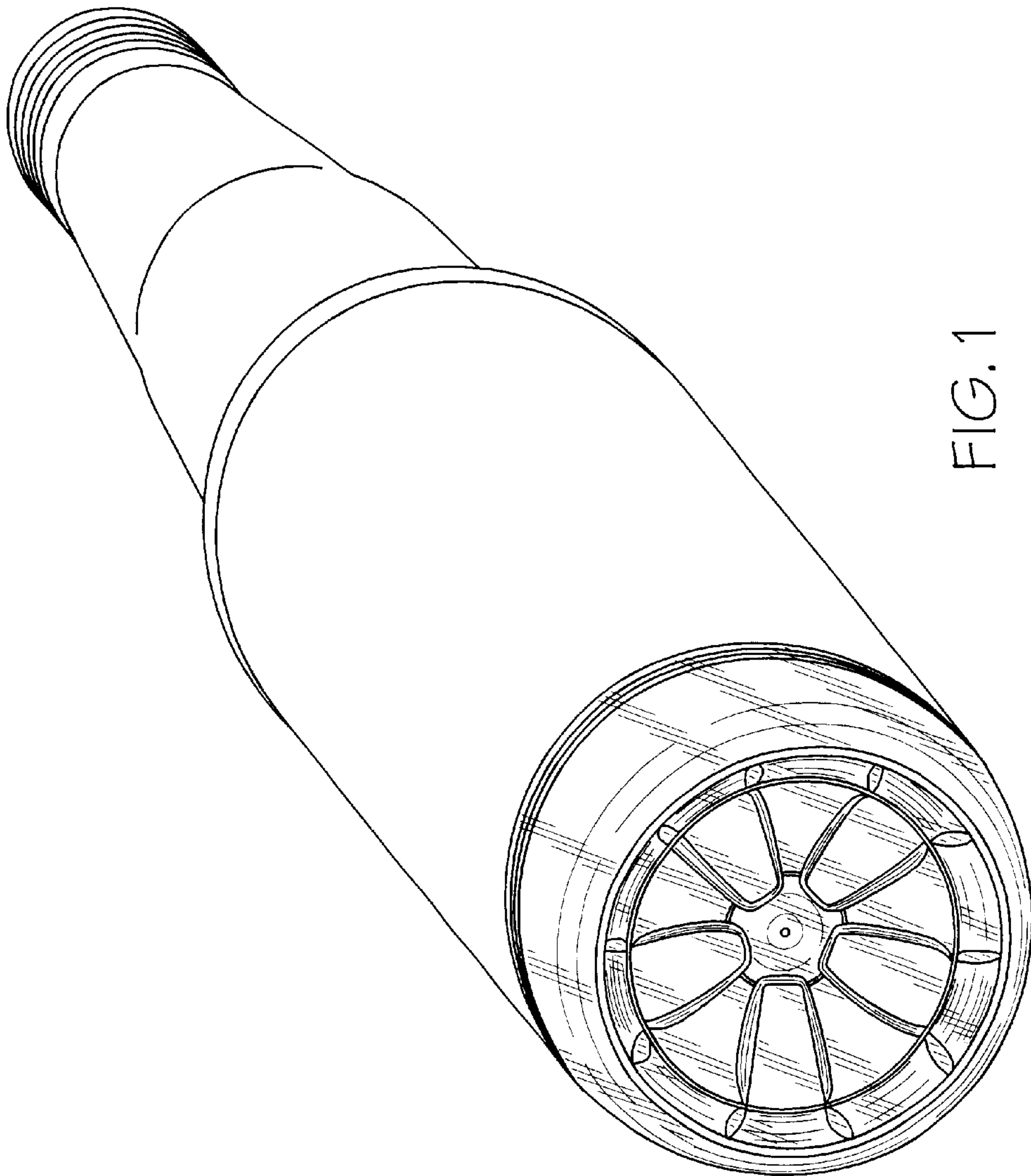


FIG. 1

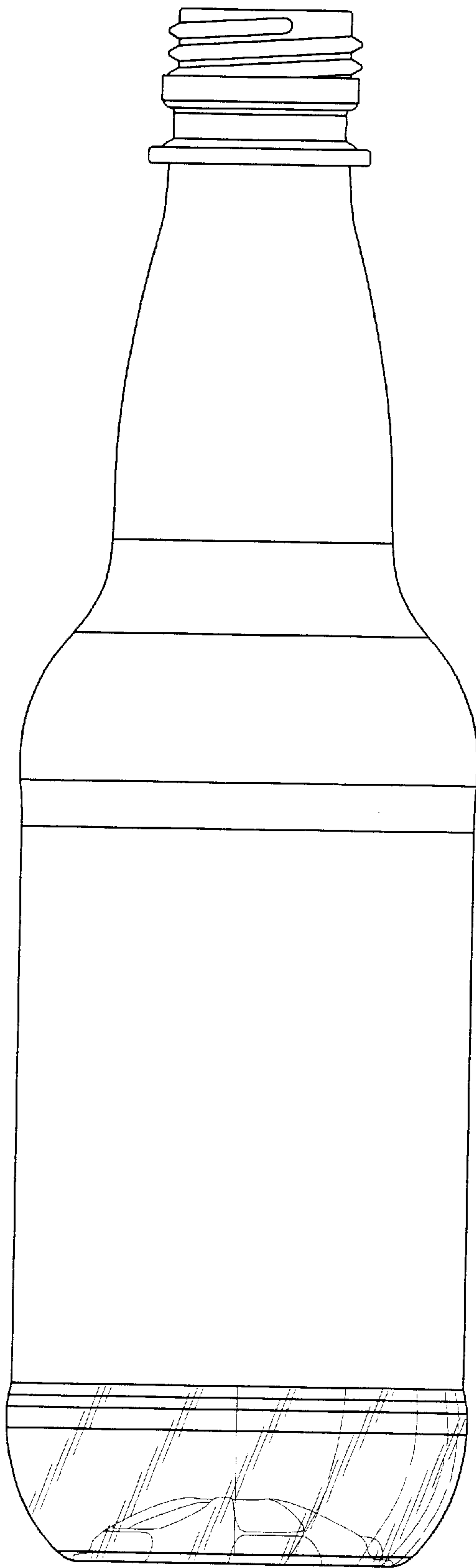


FIG. 2

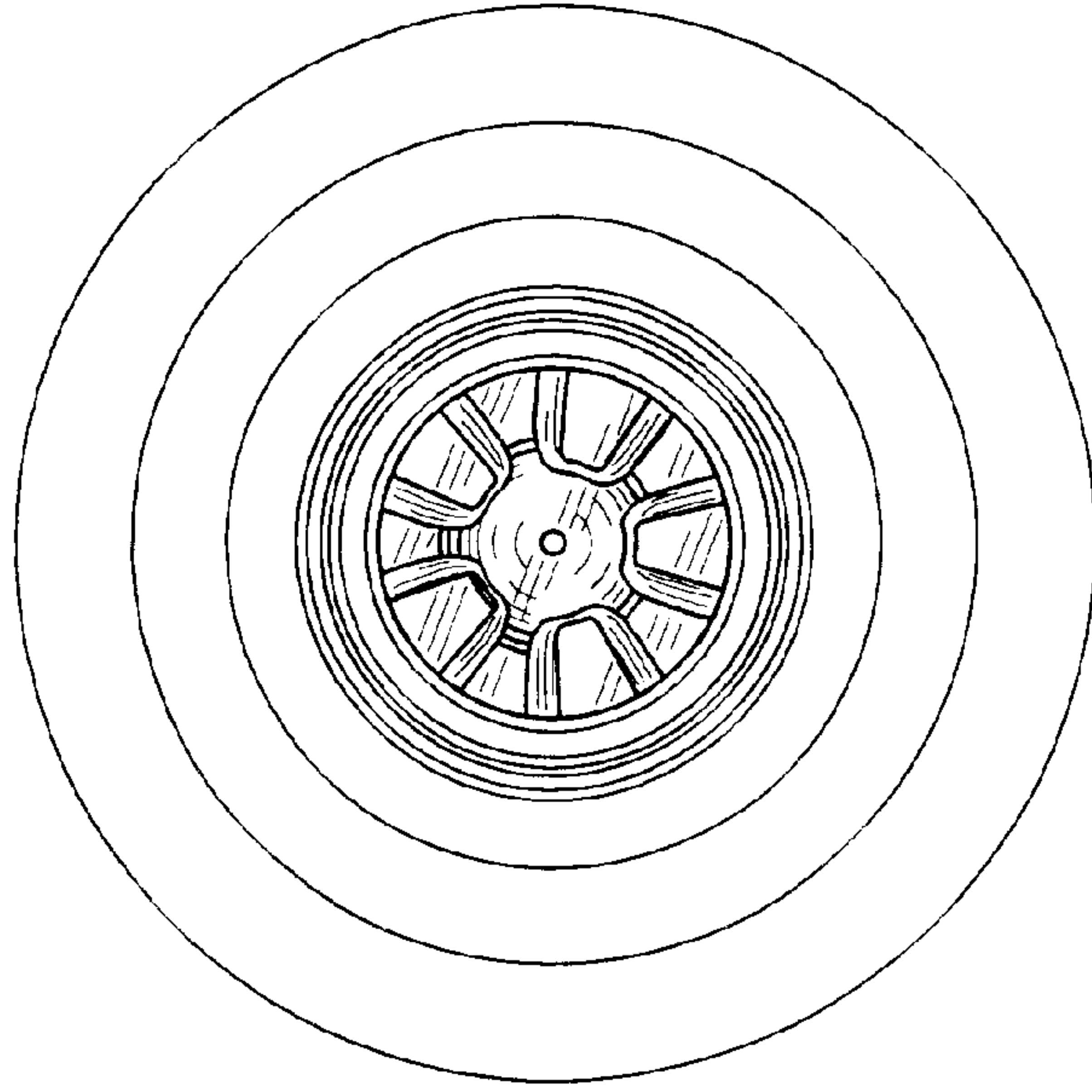


FIG. 3

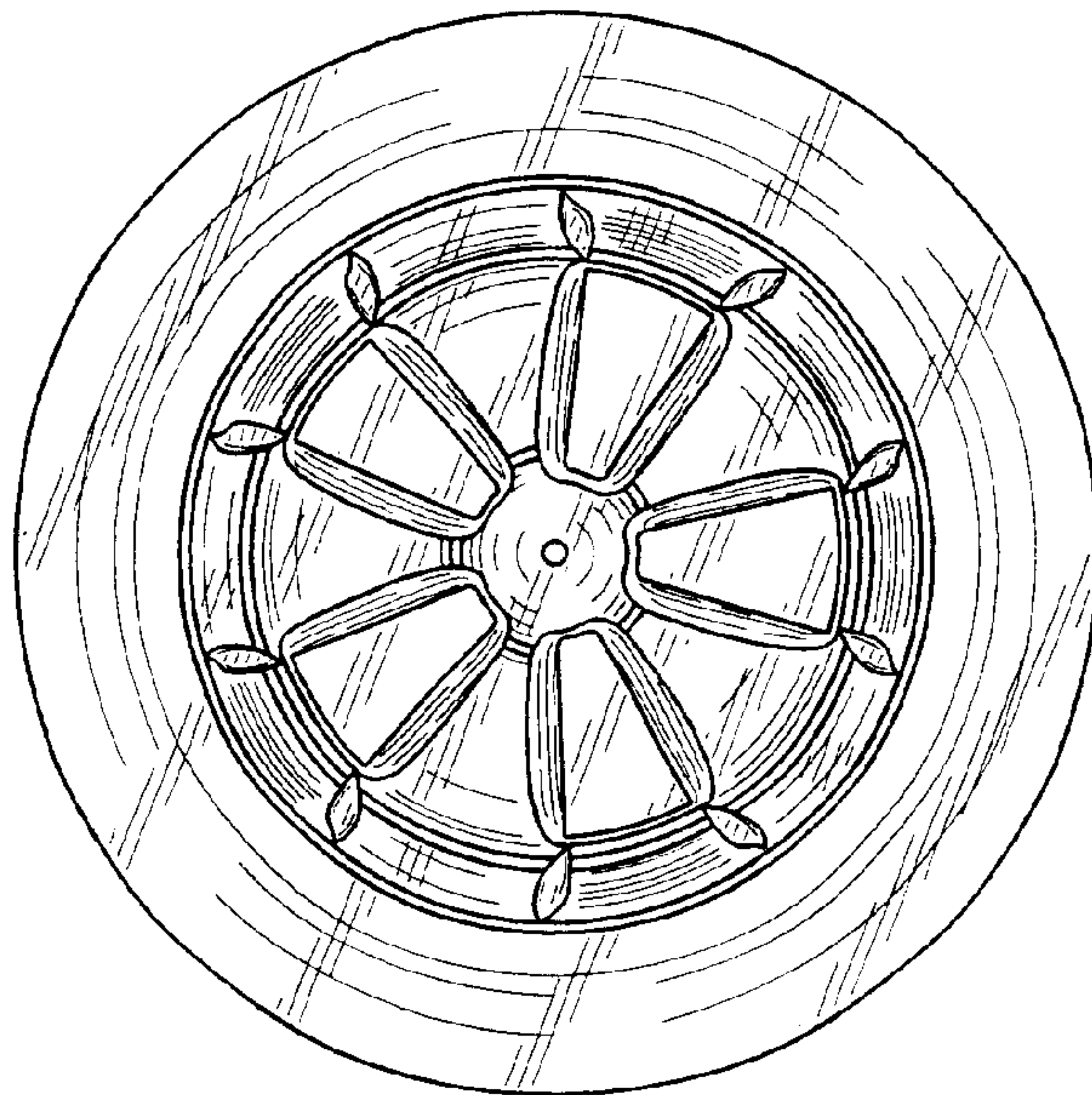


FIG. 4