



US00D476892S

(12) **United States Design Patent**  
**Martin et al.**

(10) **Patent No.: US D476,892 S**

(45) **Date of Patent: \*\* Jul. 8, 2003**

(54) **LIQUID DISPENSING CAP**

(75) Inventors: **Douglas S. Martin**, New Castle, PA (US); **Daniel Bertschi**, Hartville, OH (US)

(73) Assignee: **Weatherchem Corporation**, Twinsburg, OH (US)

(\*\*) Term: **14 Years**

(21) Appl. No.: **29/167,775**

(22) Filed: **Sep. 20, 2002**

(51) **LOC (7) Cl.** ..... **09-07**

(52) **U.S. Cl.** ..... **D9/449; D9/447; D9/454; D9/453; D9/452**

(58) **Field of Search** ..... **D9/435, 447, 449, D9/454; 220/254.3; 215/235; 222/556**

(56) **References Cited**

**U.S. PATENT DOCUMENTS**

4,457,458	A	*	7/1984	Heinol	.....	222/556
5,007,555	A	*	4/1991	Beck	.....	215/235
D334,538	S	*	4/1993	Bolen, Jr. et al.	.....	D9/447
D374,399	S	*	10/1996	Neveras et al.	.....	D9/447
D398,852	S	*	9/1998	Gross	.....	D9/449
D436,040	S	*	1/2001	Warner	.....	D9/449
6,510,971	B1	*	1/2003	Martin	.....	222/556

\* cited by examiner

*Primary Examiner*—Louis S. Zarfes

*Assistant Examiner*—Gregory Andoll

(74) *Attorney, Agent, or Firm*—Pearne & Gordon LLP

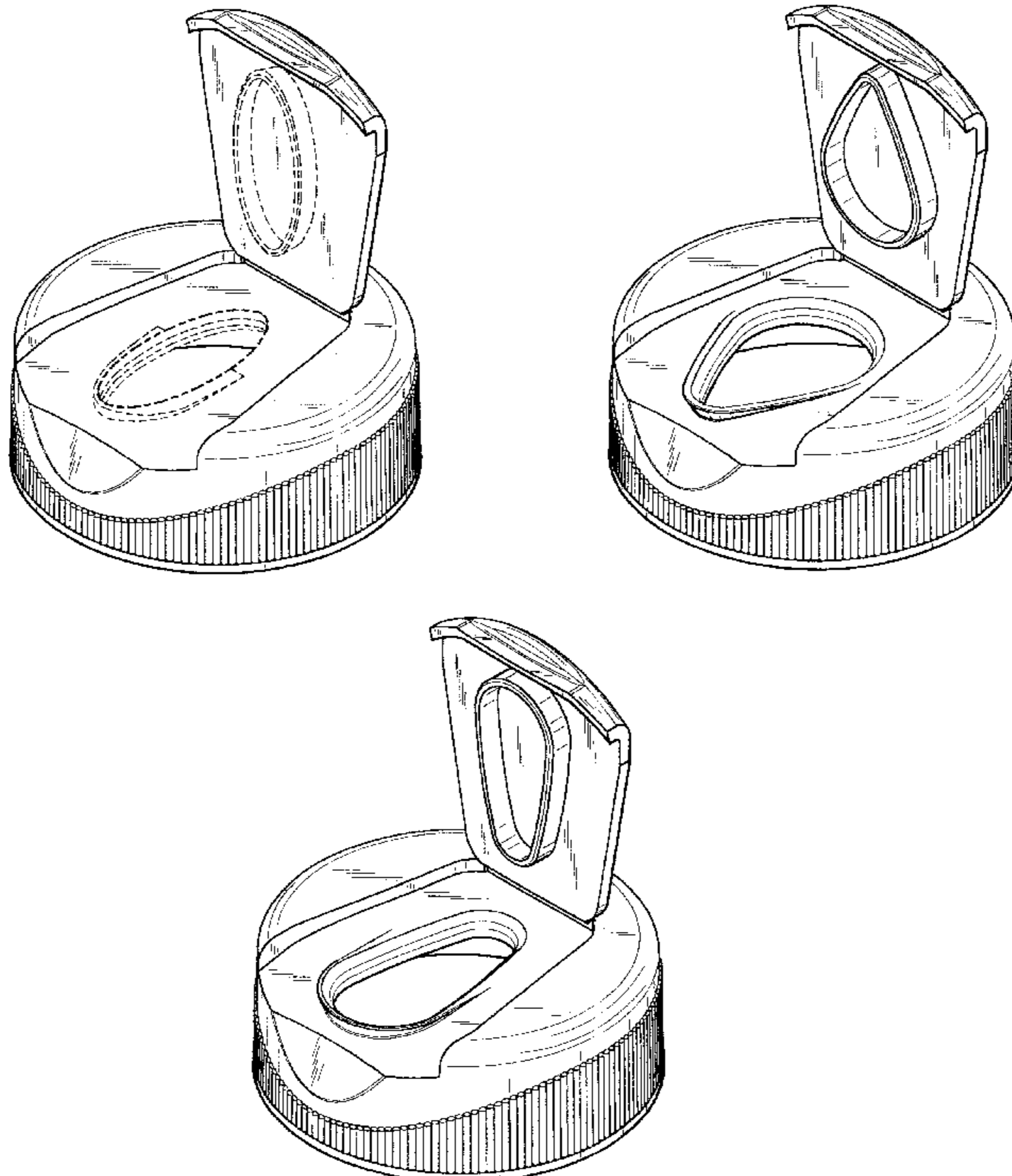
(57) **CLAIM**

The ornamental design for a liquid dispensing cap, as shown and described.

**DESCRIPTION**

FIG. 1 is an isometric view of a liquid dispensing cap showing our new design in a first embodiment; FIG. 2 is a front elevational view thereof; FIG. 3 is a top plan view thereof; FIG. 4 is a side elevational view thereof; FIG. 5 is a bottom plan view thereof; FIG. 6 is a rear elevational view of the cap of FIG. 1 and of other embodiments represented in FIGS. 8–13 and 14–18, respectively; FIG. 7 is a bottom isometric view of the cap of FIG. 1; FIG. 8 is an isometric view of the cap in a second embodiment; FIG. 9 is a front elevational view of the cap of FIG. 8; FIG. 10 is a top plan view of the cap of FIG. 8; FIG. 11 is a side elevational view taken from the right side of FIG. 8 and of the embodiment represented in FIGS. 14–18; FIG. 12 is a bottom plan view of the cap of FIG. 8; FIG. 13 is a bottom isometric view of the cap of FIG. 8; FIG. 14 is an isometric view of the cap in a third embodiment; FIG. 15 is a front elevational view of the cap of FIG. 14; FIG. 16 is a top plan view of the cap of FIG. 14; FIG. 17 is a bottom plan view of the cap of FIG. 14; and, FIG. 18 is a bottom isometric view of the cap of FIG. 14. The broken lines in the Figures are for illustrative purposes only and form no part of the claimed design.

**1 Claim, 6 Drawing Sheets**



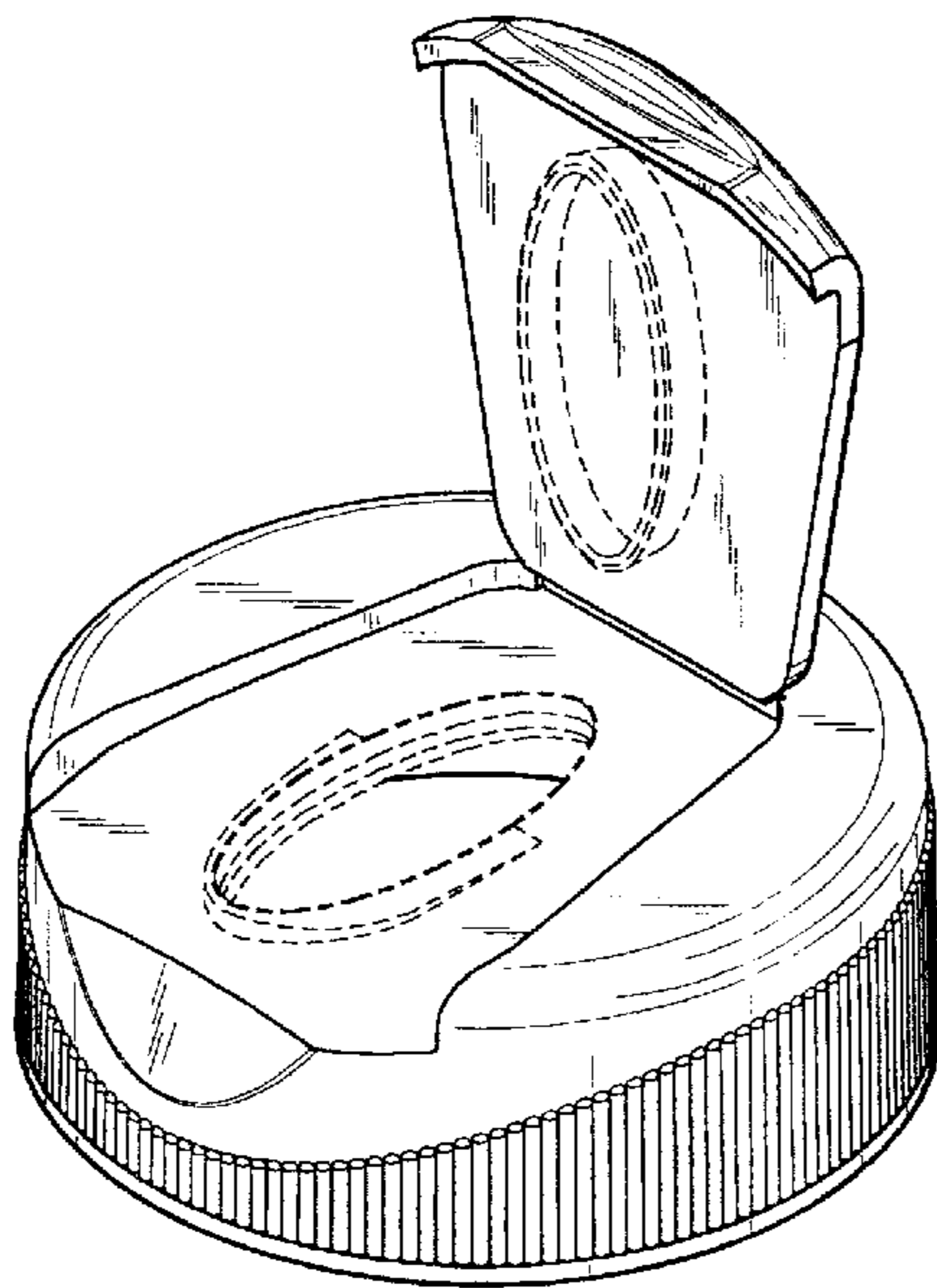


FIG. 1

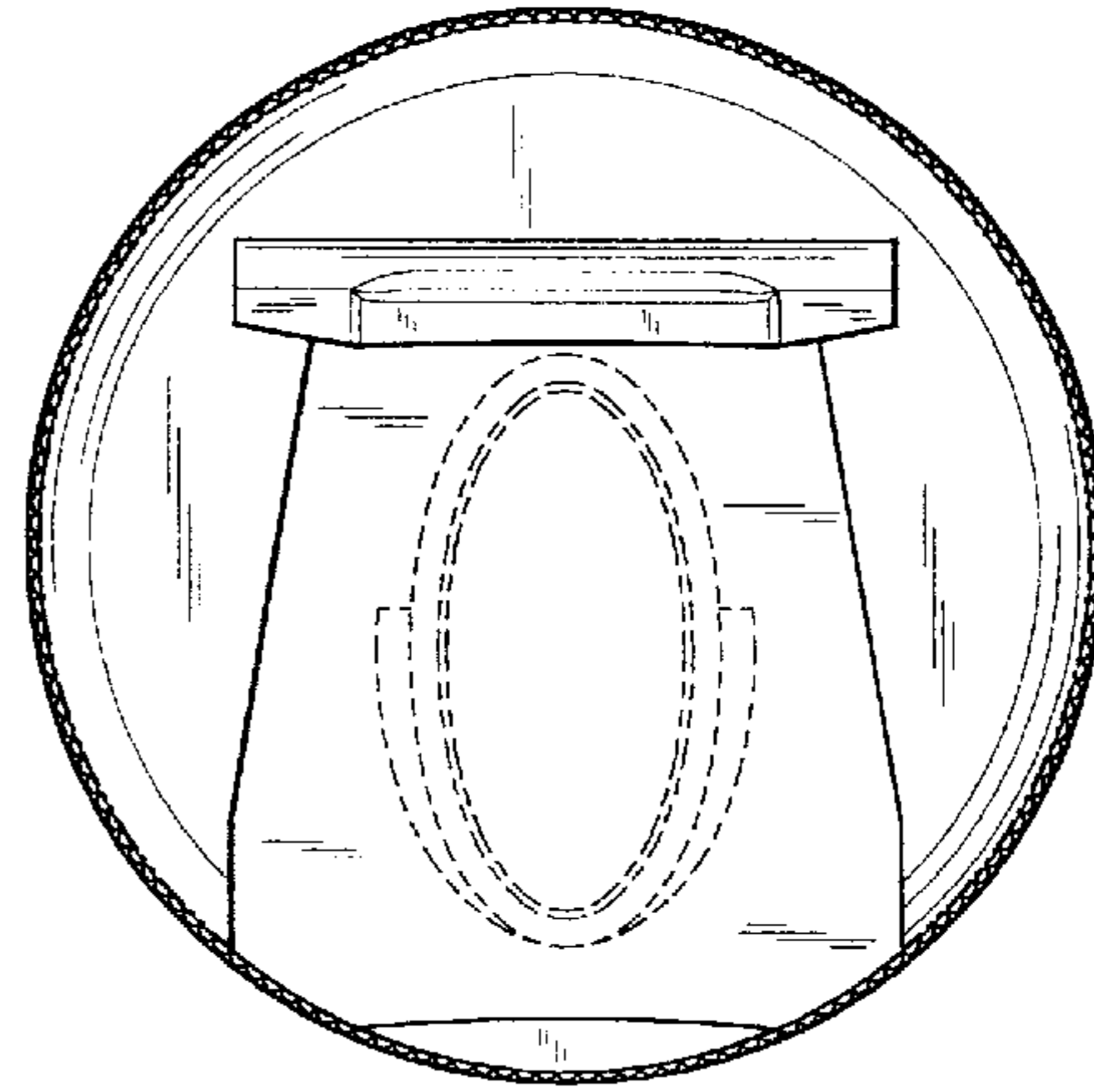


FIG. 3

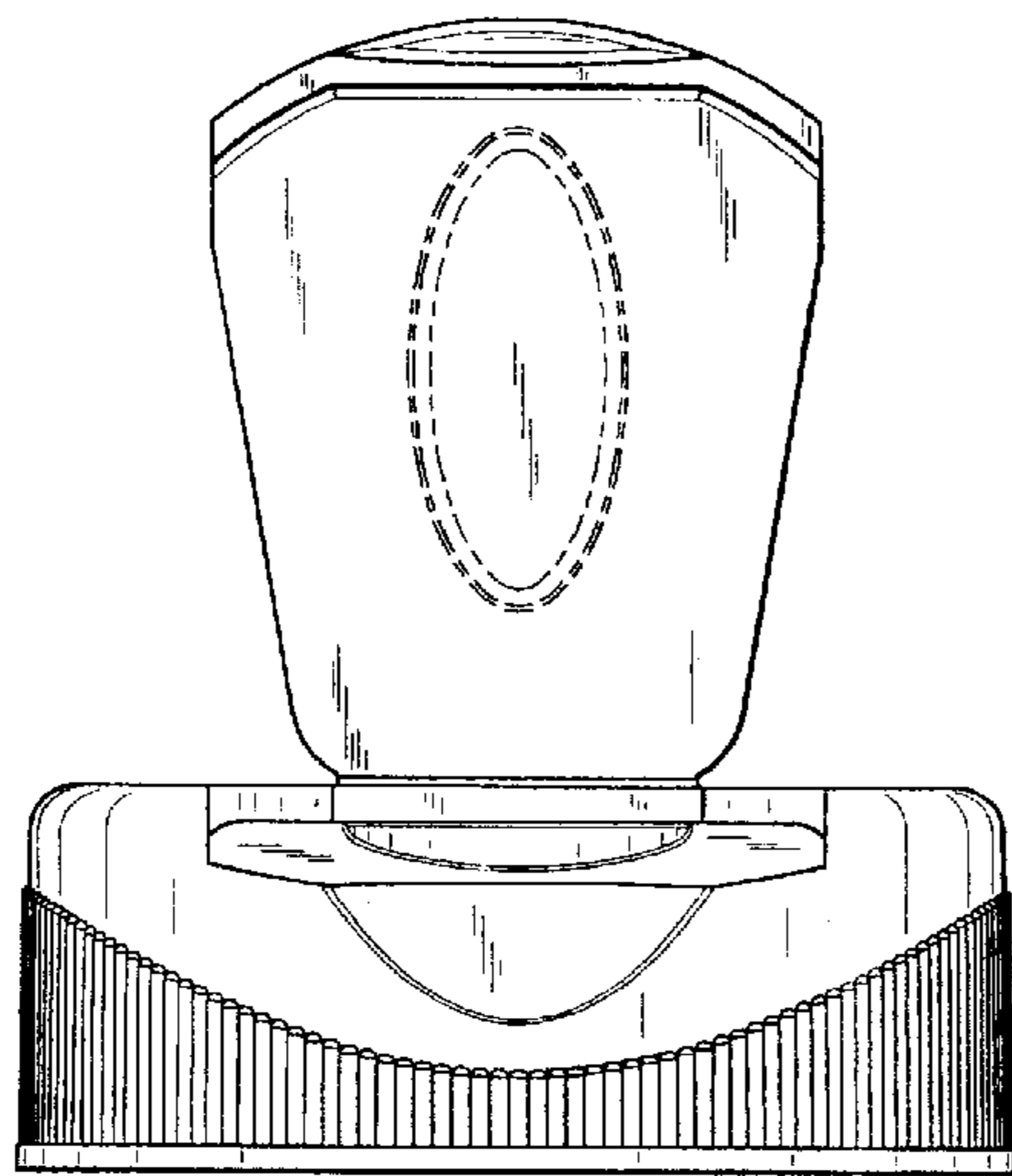


FIG. 2

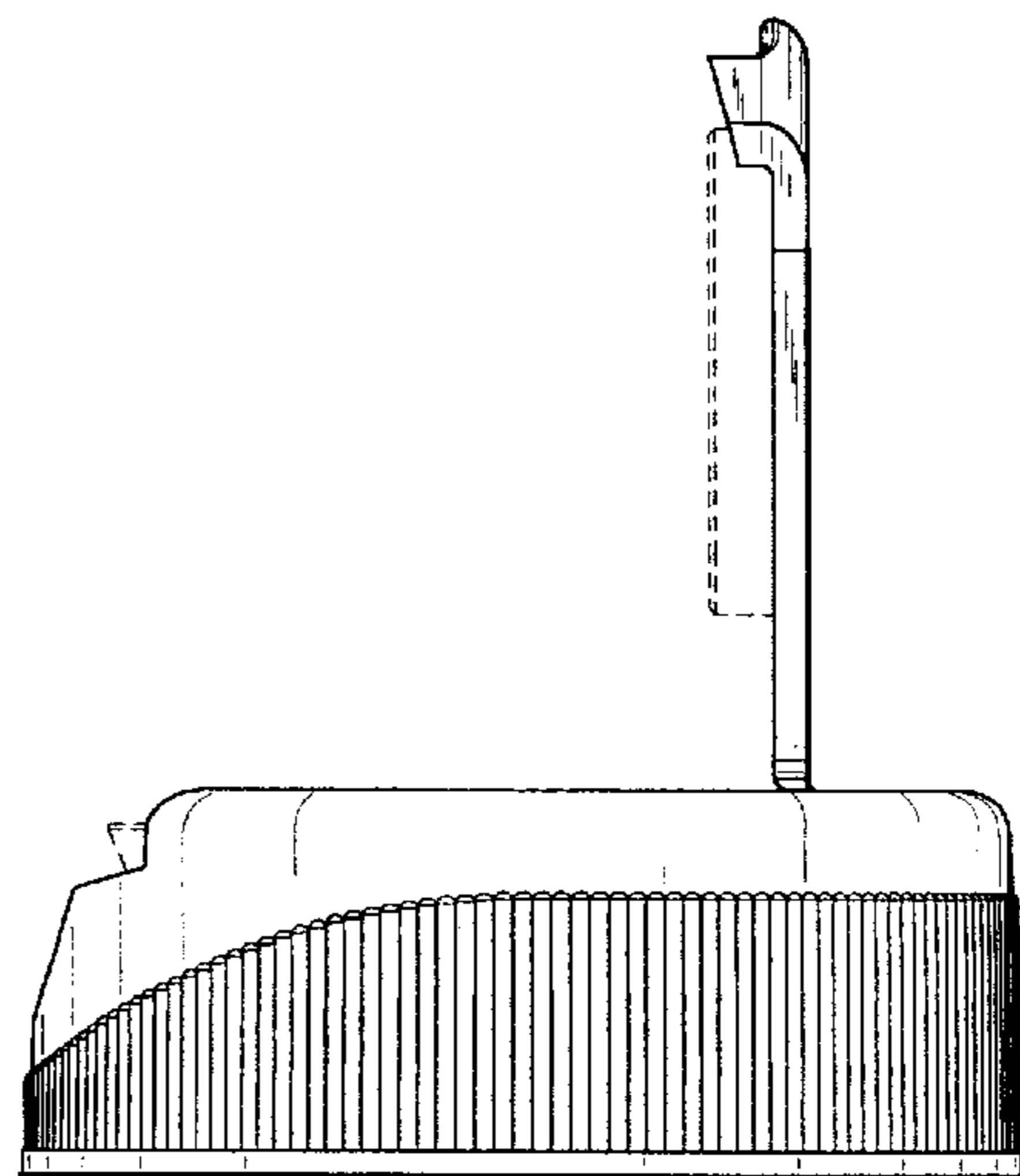


FIG. 4

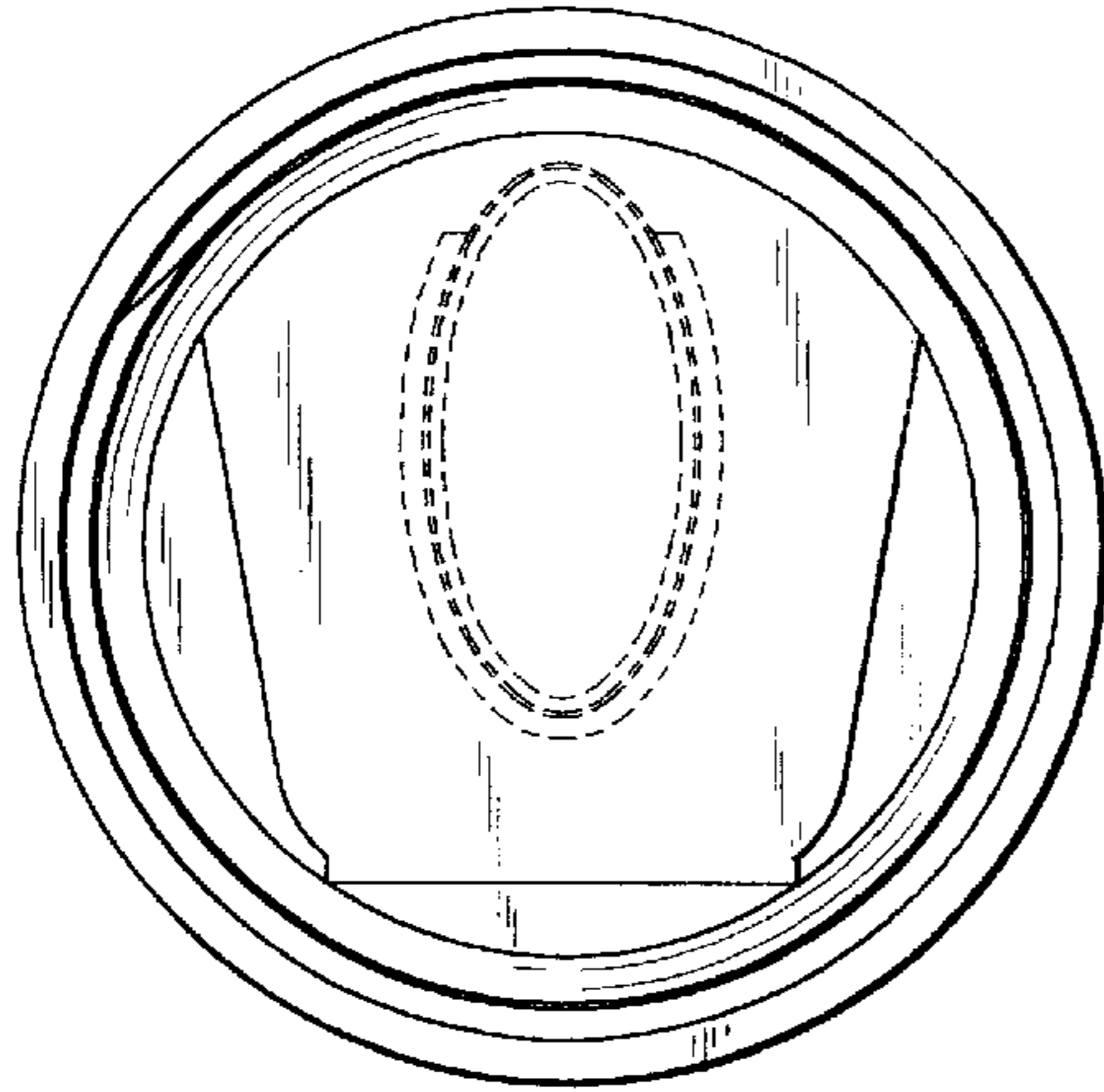


FIG. 5

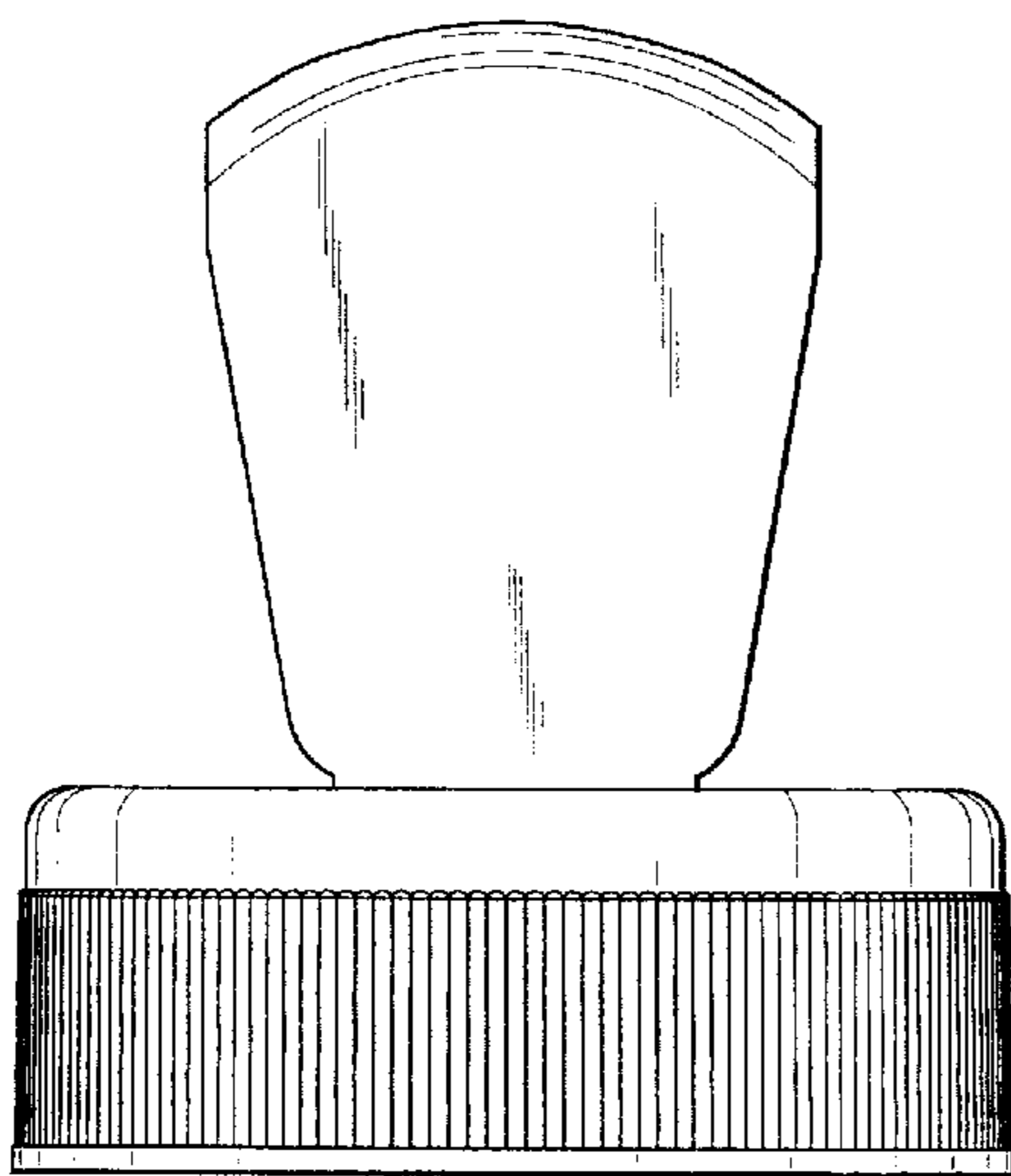


FIG. 6

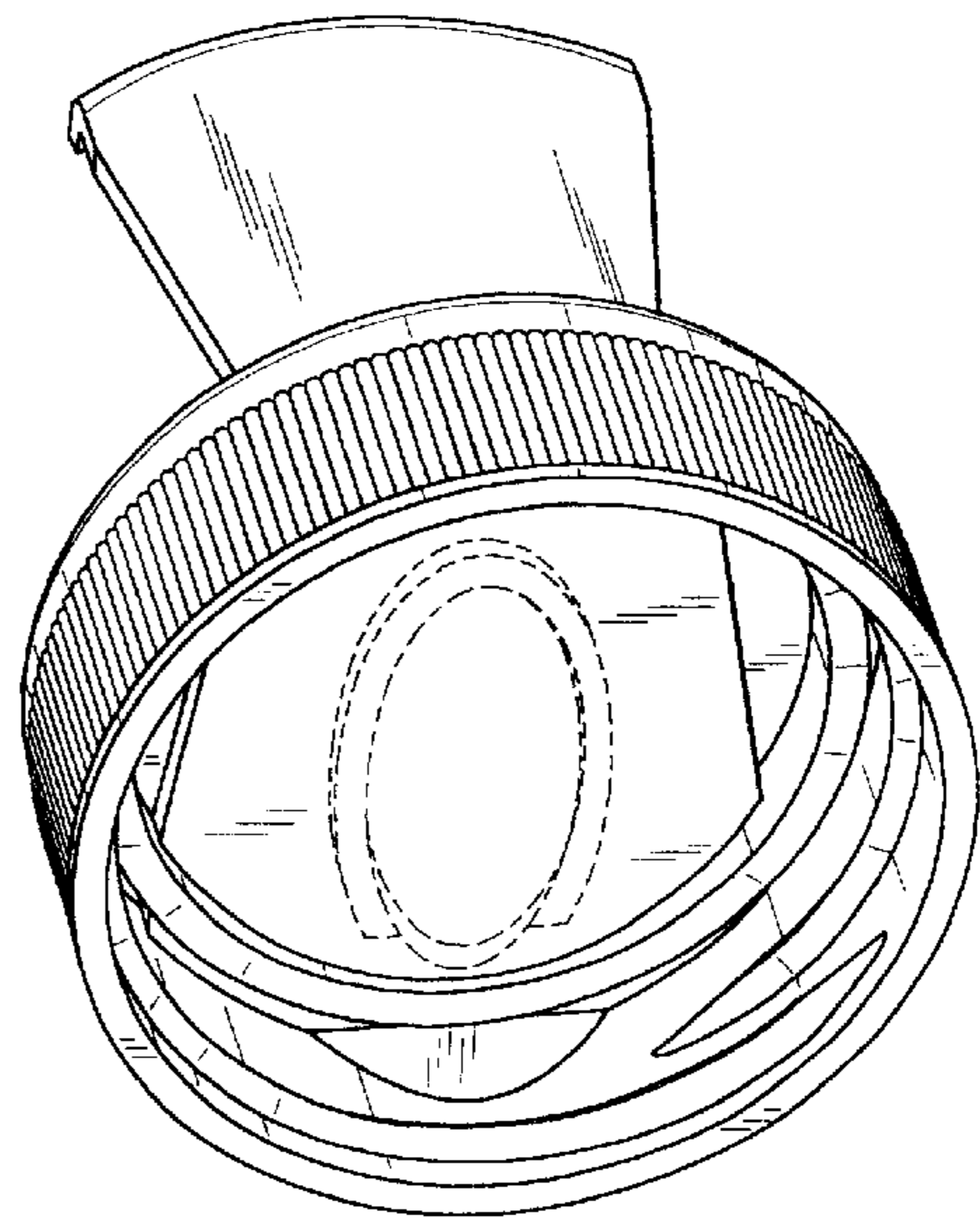


FIG. 7

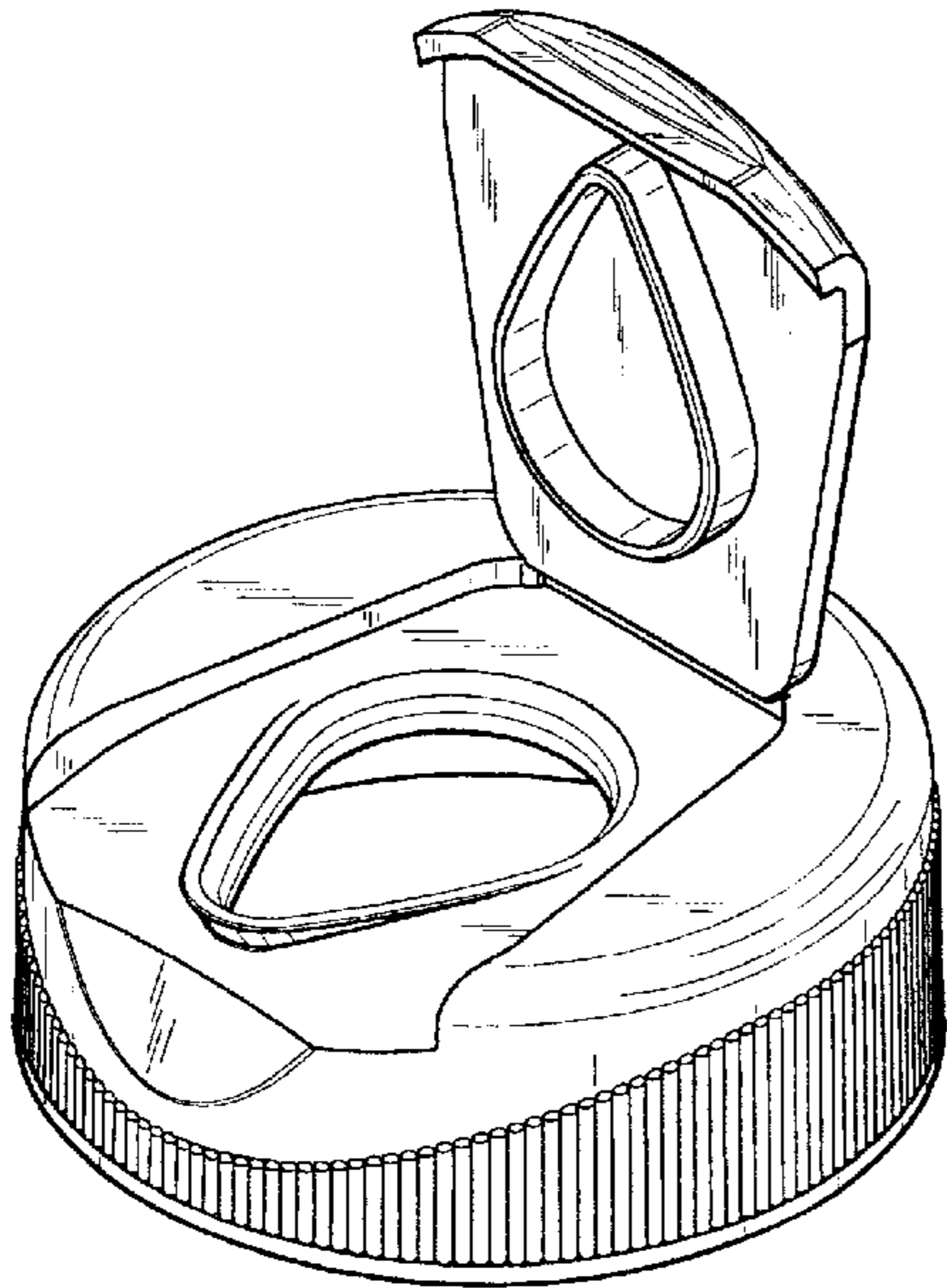


FIG. 8

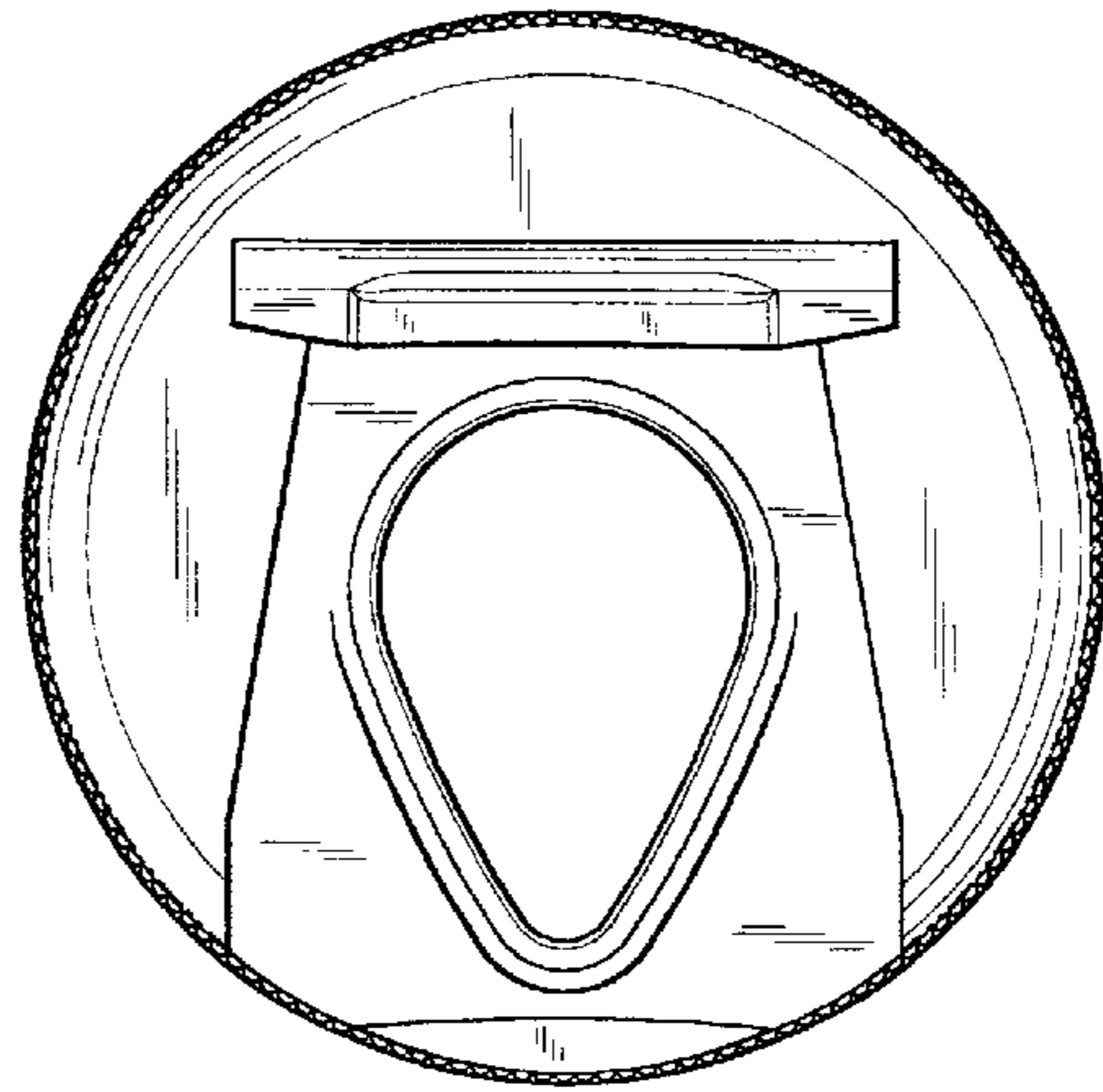


FIG. 10

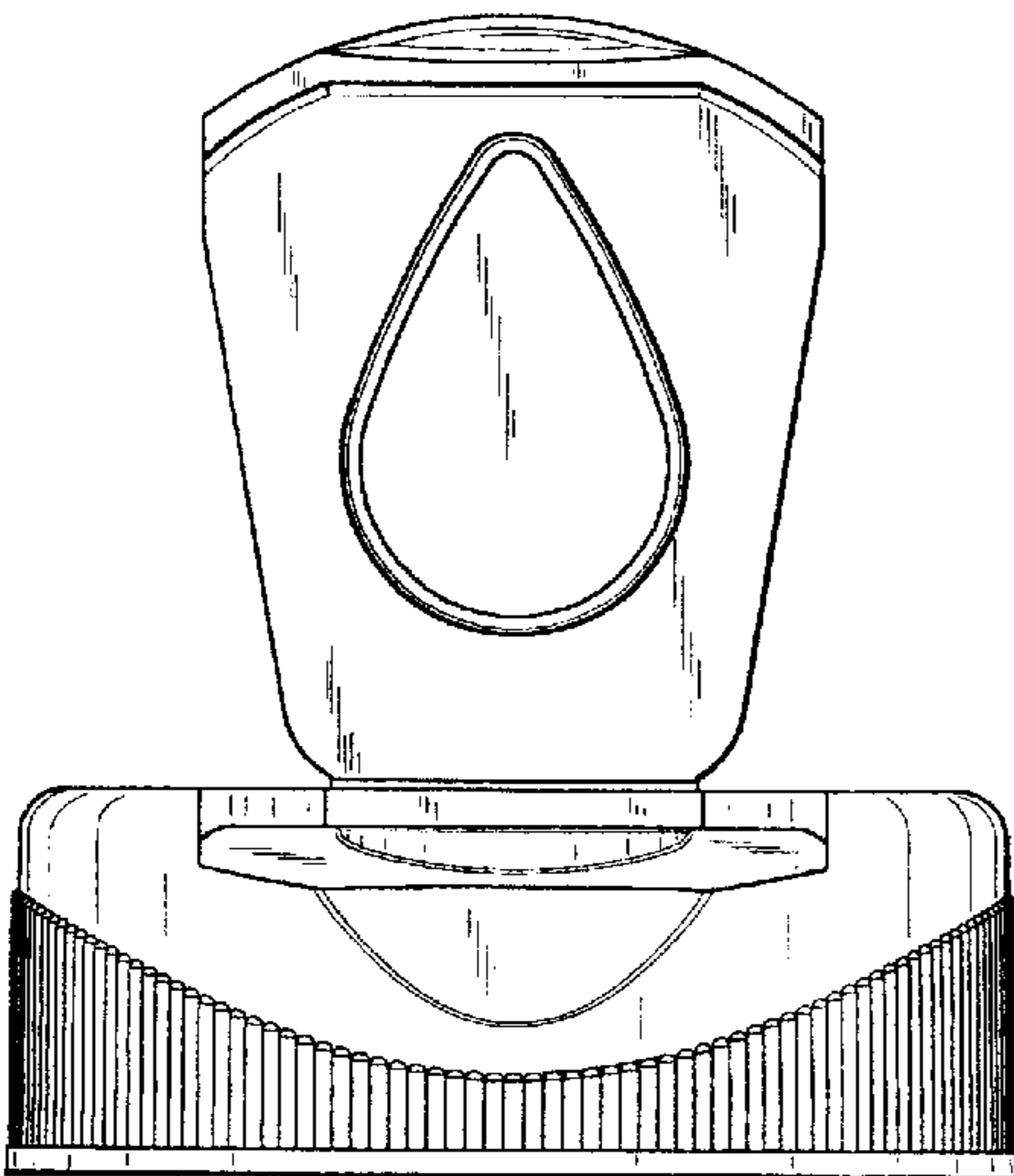


FIG. 9

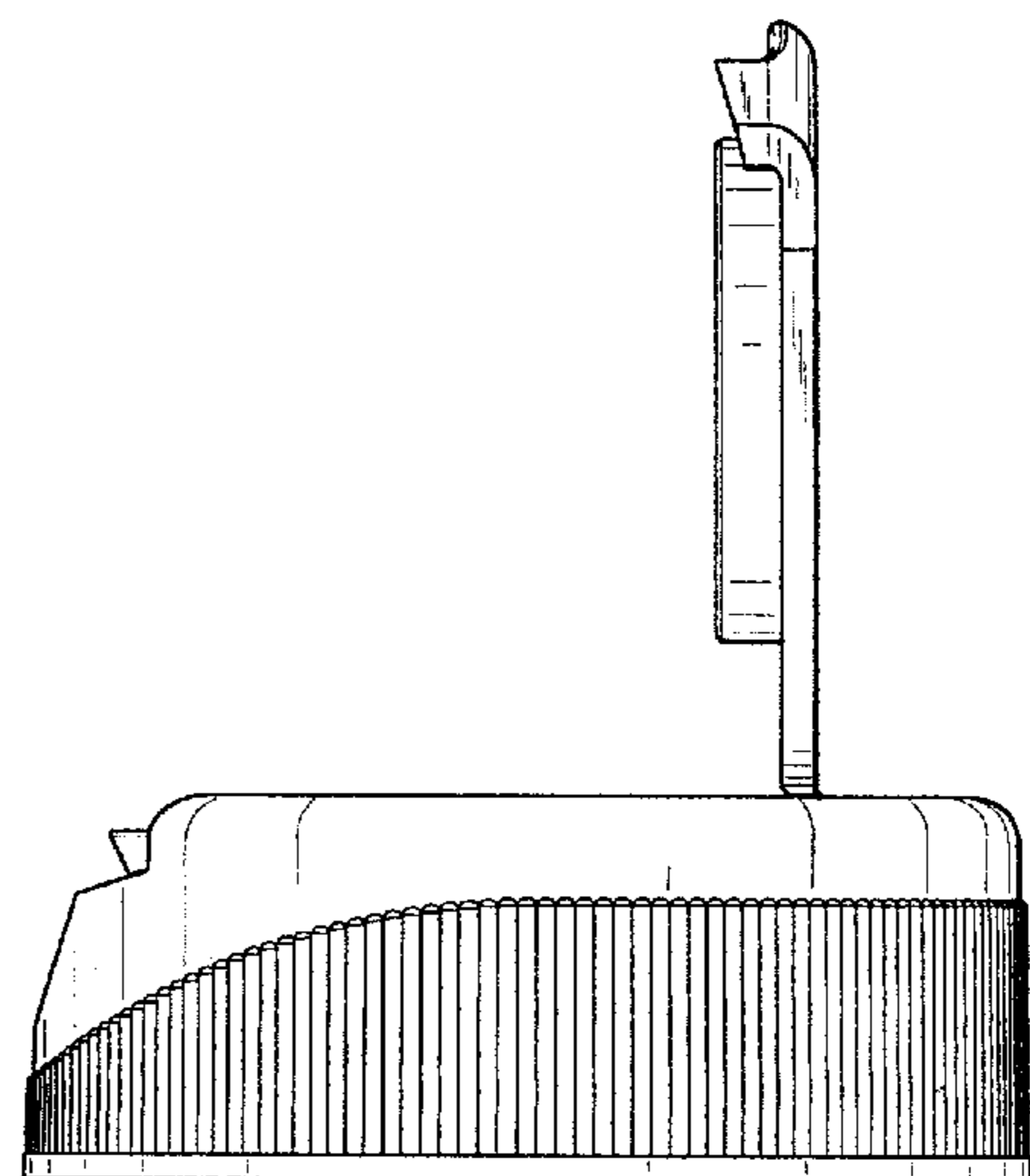


FIG. 11

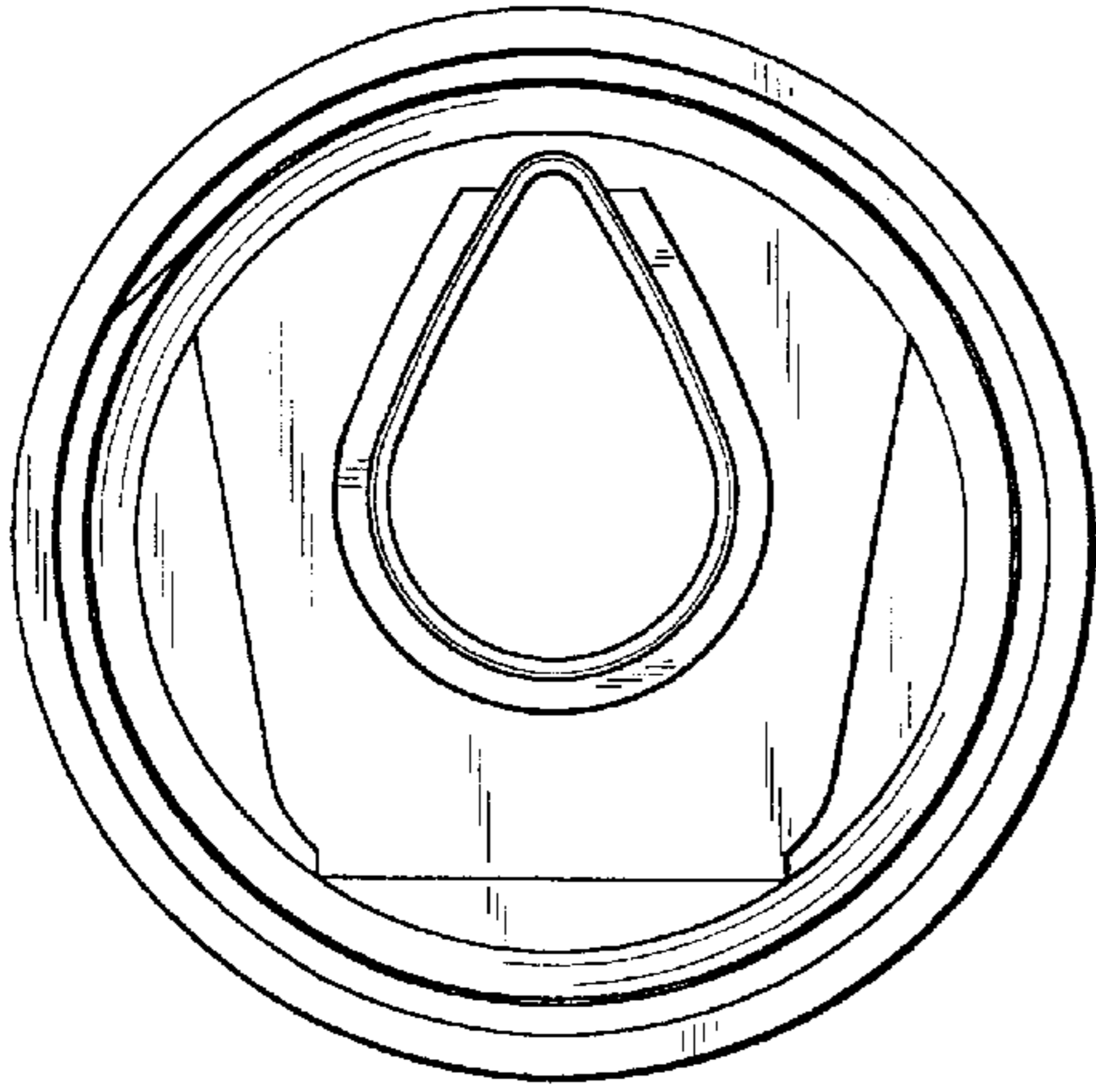


FIG. 1 2

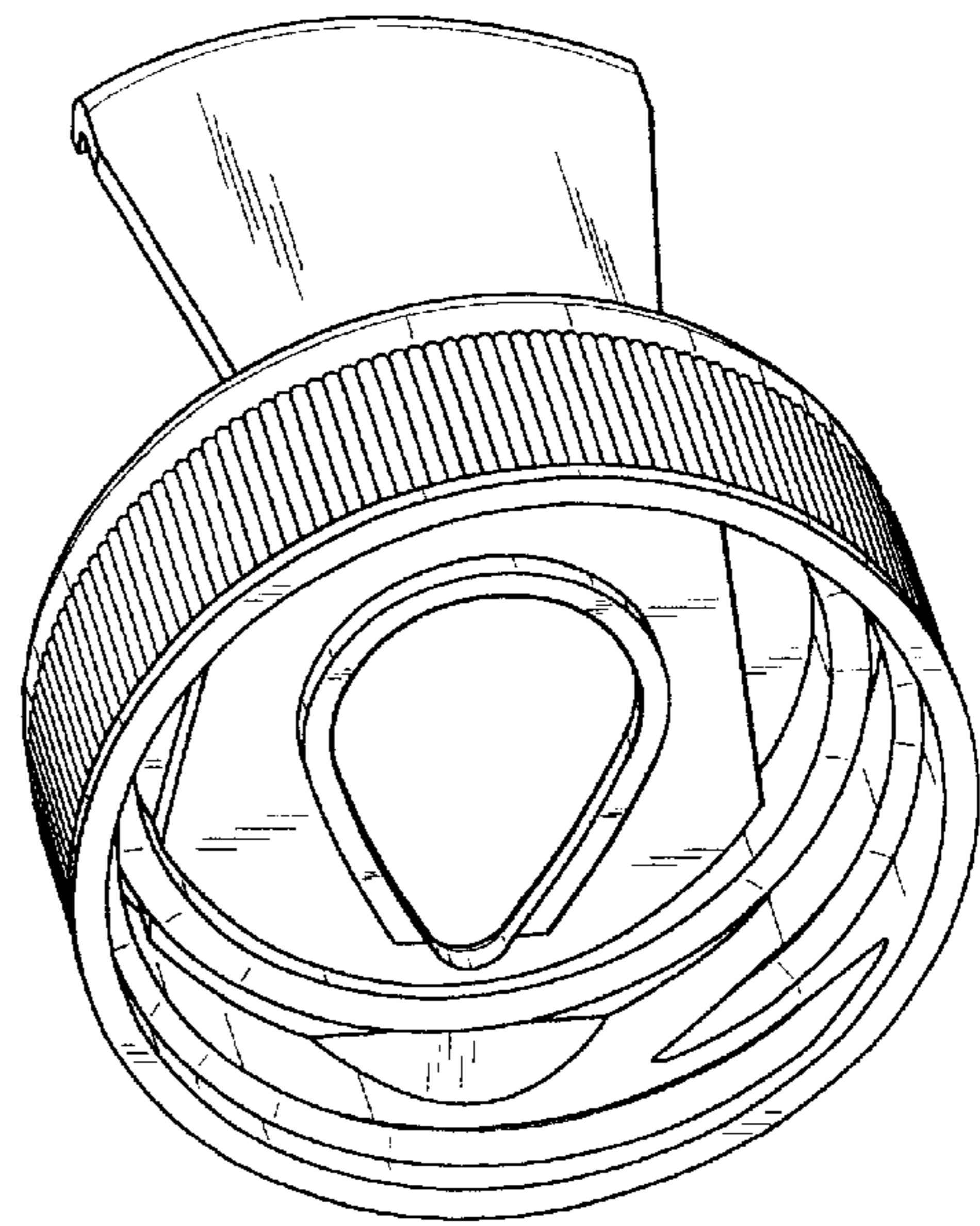


FIG. 1 3

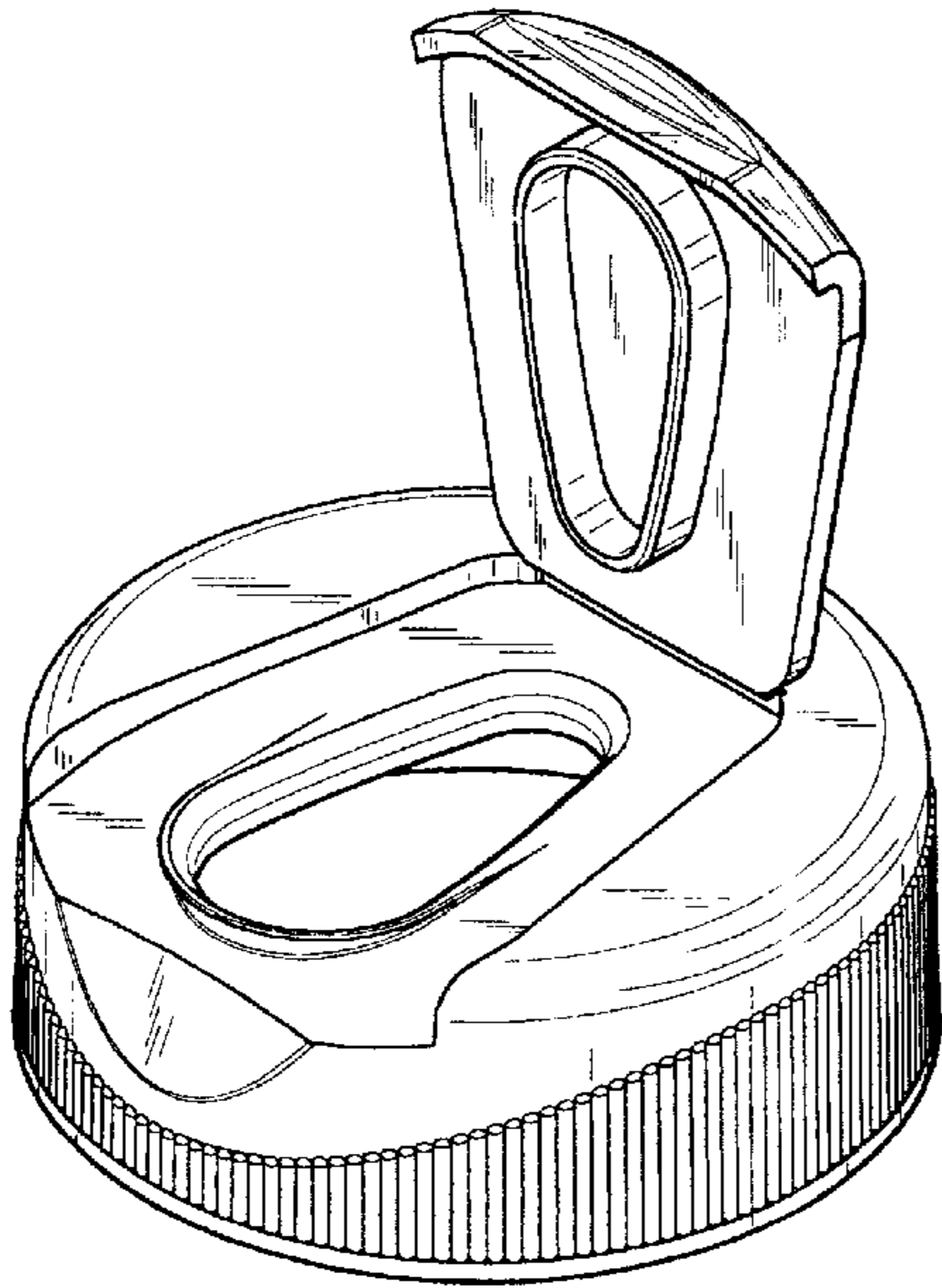


FIG. 14

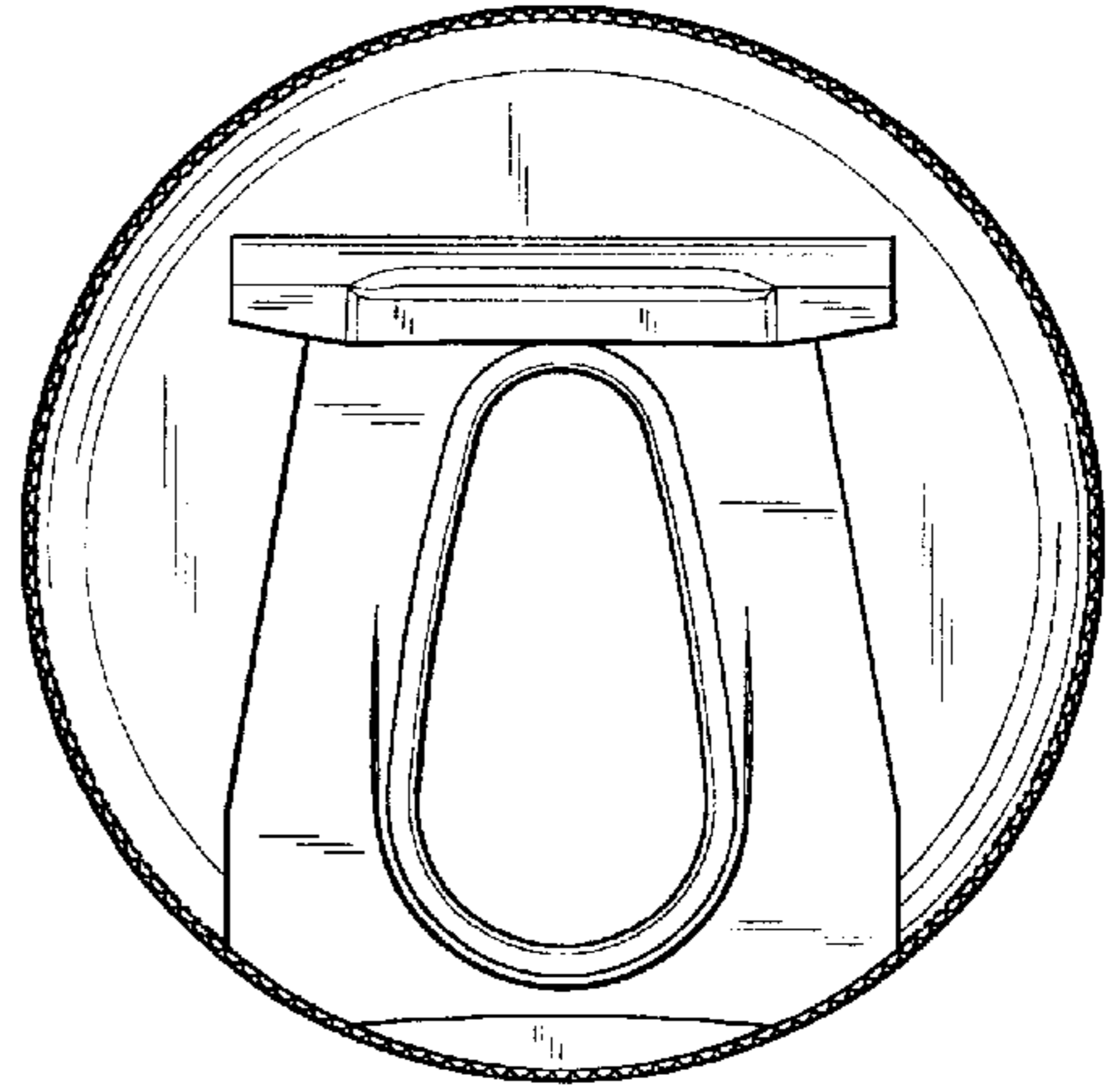


FIG. 16

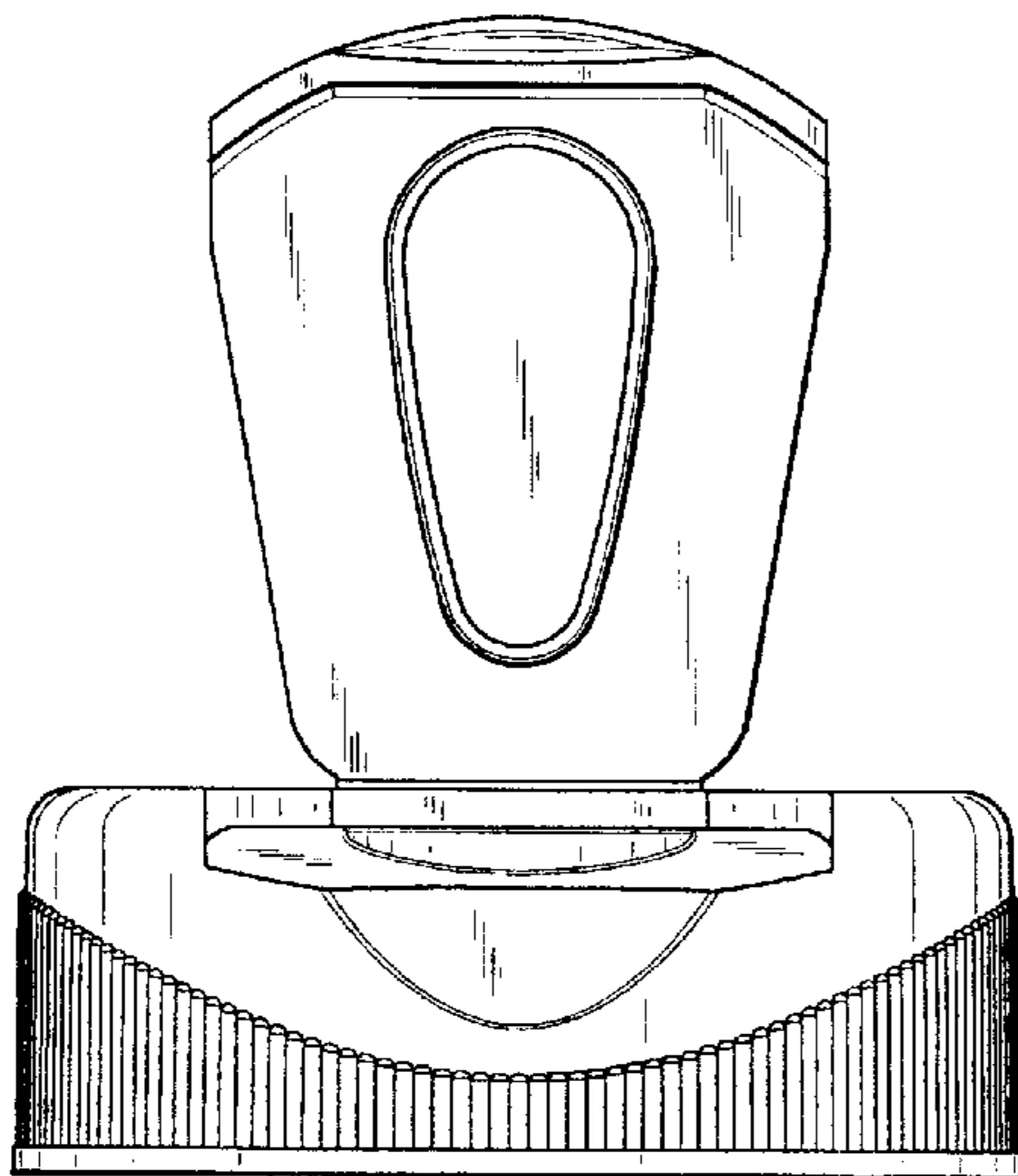


FIG. 15

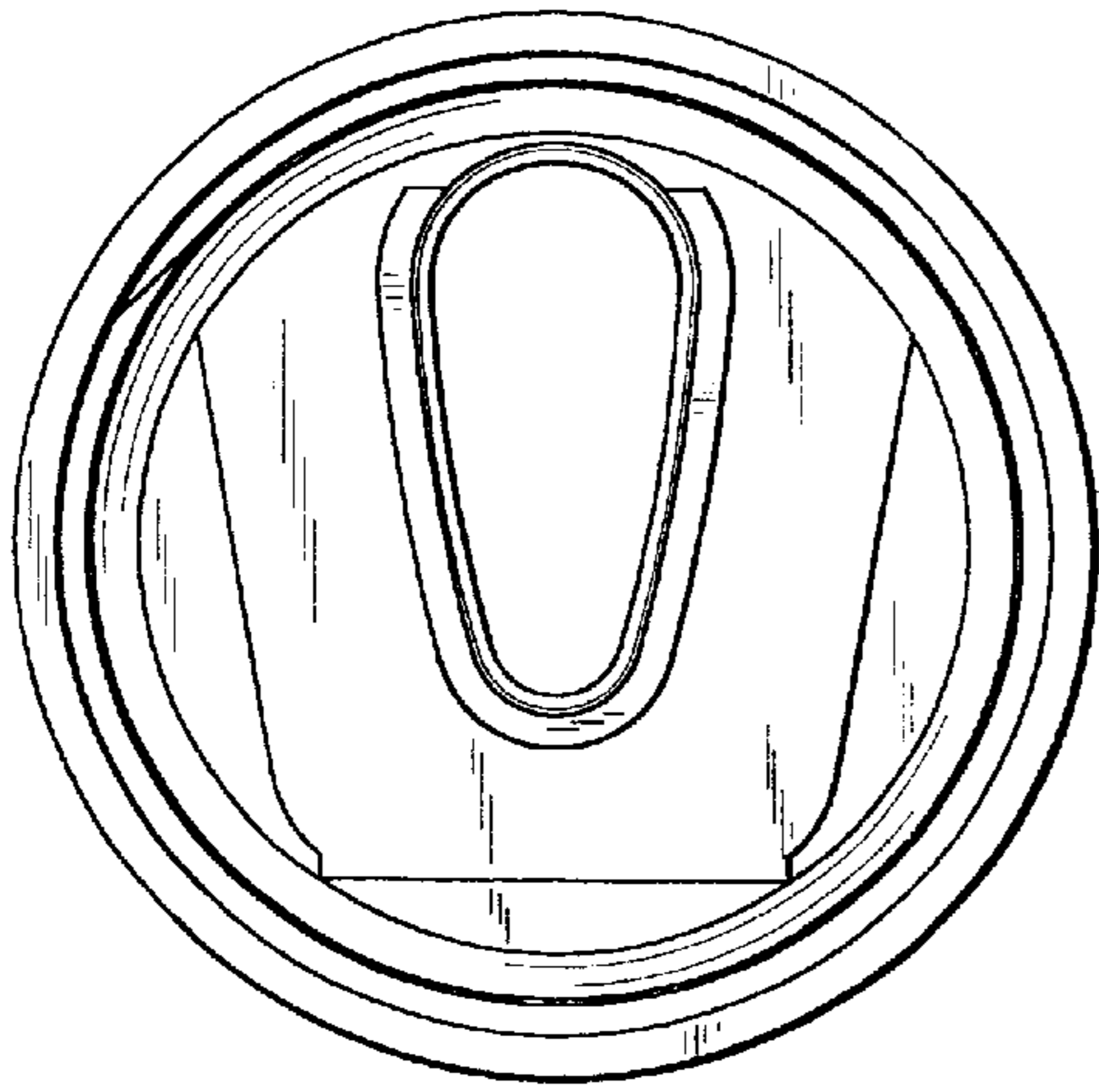


FIG. 17

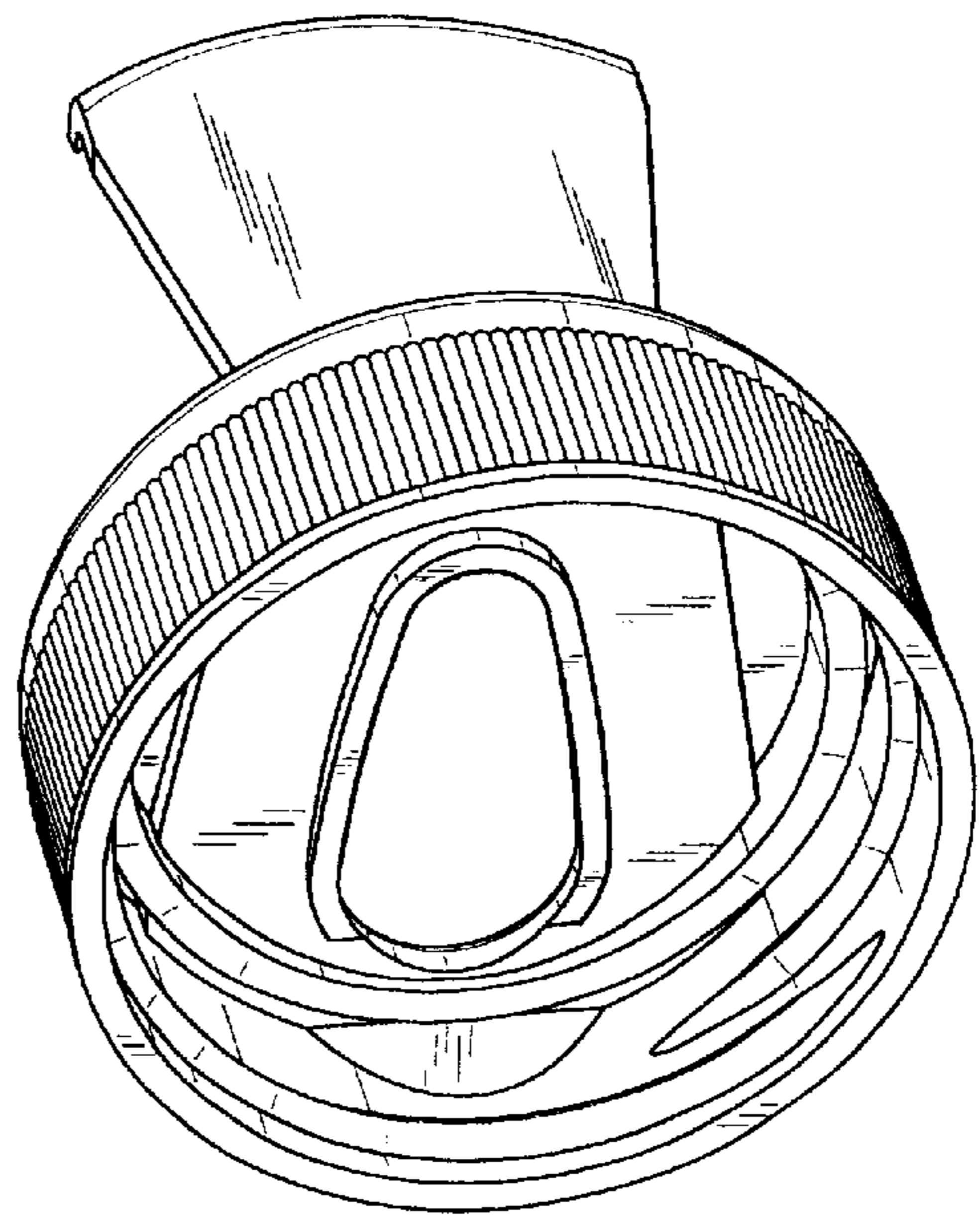


FIG. 18