



US00D476890S

(12) **United States Design Patent**  
**Hirose**

(10) **Patent No.:** **US D476,890 S**

(45) **Date of Patent:** **\*\* Jul. 8, 2003**

(54) **STOPPER**

(75) Inventor: **Masato Hirose**, Itasca, IL (US)

(73) Assignee: **Thermos L.L.C.**, Rolling Meadows, IL (US)

(\*\*) Term: **14 Years**

(21) Appl. No.: **29/164,152**

(22) Filed: **Jul. 18, 2002**

(51) **LOC (7) Cl.** ..... **09-07**

(52) **U.S. Cl.** ..... **D9/440**; D9/452; D9/439;  
D9/447; D24/229

(58) **Field of Search** ..... D9/439, 440, 435,  
D9/447, 436; D24/224, 129; 215/228, 359,  
356, 300, 247

(56) **References Cited**

**U.S. PATENT DOCUMENTS**

D34,500 S	*	5/1901	Trethaway	.....	D9/439
D198,107 S	*	4/1964	McCulloch	.....	D9/439
D198,724 S	*	7/1964	Curtis	.....	D9/447
D217,903 S	*	6/1970	Derenski	.....	D9/447
D289,796 S	*	5/1987	Larkin	.....	D24/224
D361,265 S	*	8/1995	Doxey	.....	D9/435
D447,410 S	*	9/2001	Malmberg	.....	D9/447

D448,294 S \* 9/2001 Alscher et al. .... D9/435

\* cited by examiner

*Primary Examiner*—Louis S. Zarfes

*Assistant Examiner*—Gregory A. Andoll

(74) *Attorney, Agent, or Firm*—Wood, Phillips, Katz, Clark & Mortimer

(57) **CLAIM**

The ornamental design for a stopper, as shown and described.

**DESCRIPTION**

FIG. 1 is a perspective view of my stopper design taken from above;

FIG. 2 is a perspective view of my stopper design taken from below and 180° about its periphery from FIG. 1;

FIG. 3 is a plan view of my stopper design;

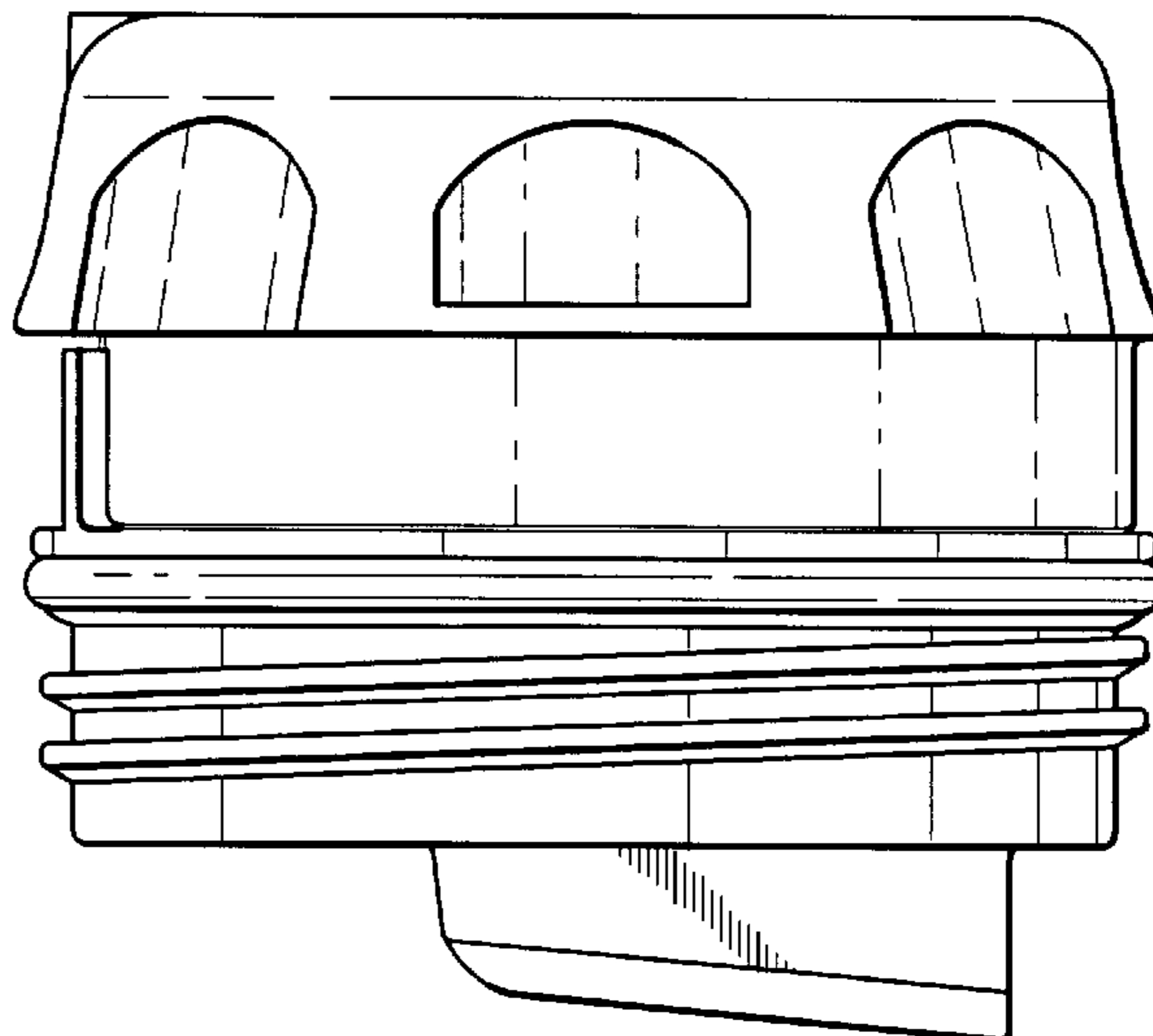
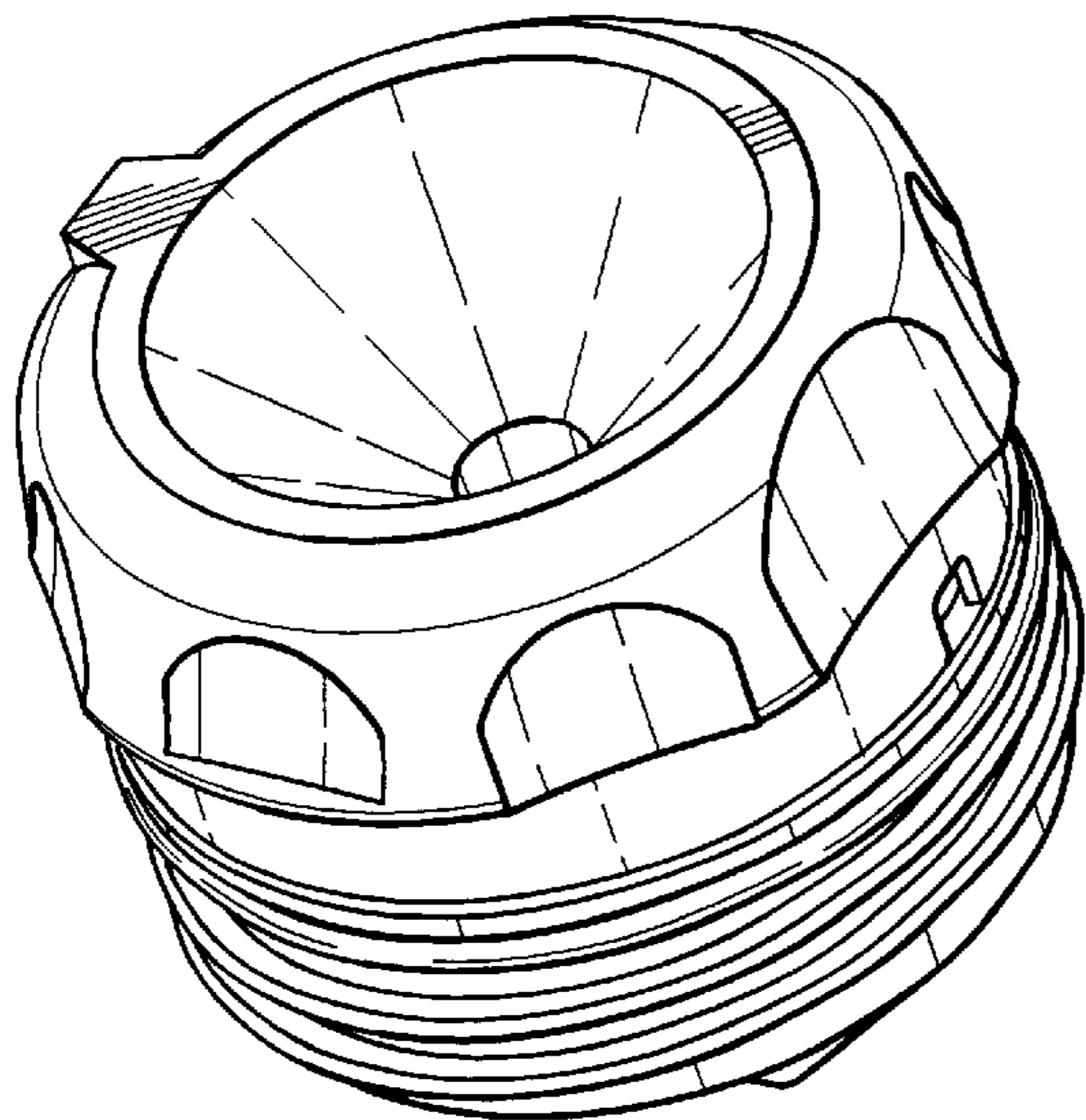
FIG. 4 is a bottom view of my stopper design;

FIG. 5 is a side elevation of my stopper design, it being understood that a side elevation taken from 180° about its periphery will be a mirror image of this FIG. 5;

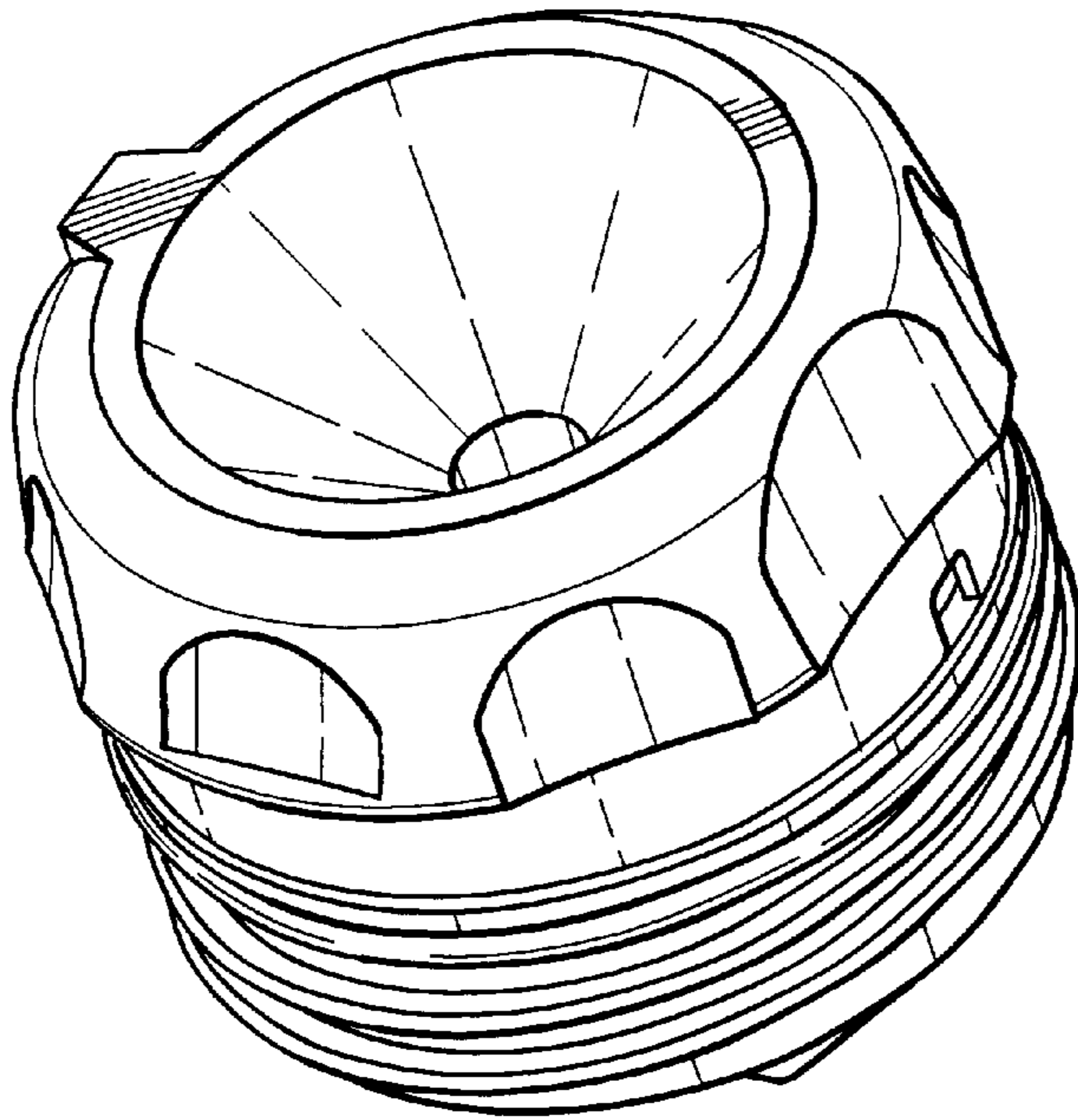
FIG. 6 is a side elevation of my stopper design taken from the left of FIG. 5; and,

FIG. 7 is a side elevation of my stopper design taken from the right of FIG. 5.

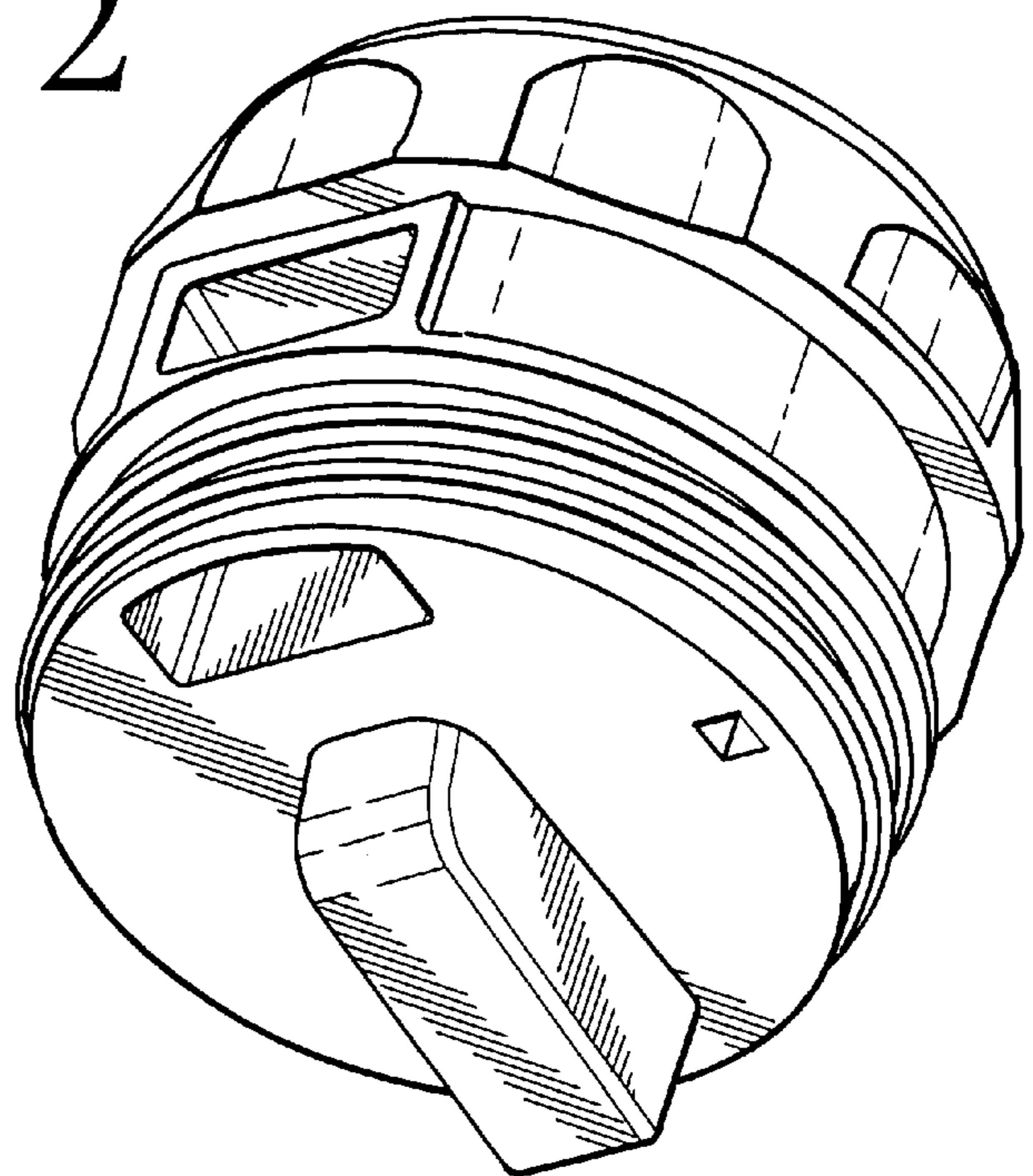
**1 Claim, 4 Drawing Sheets**



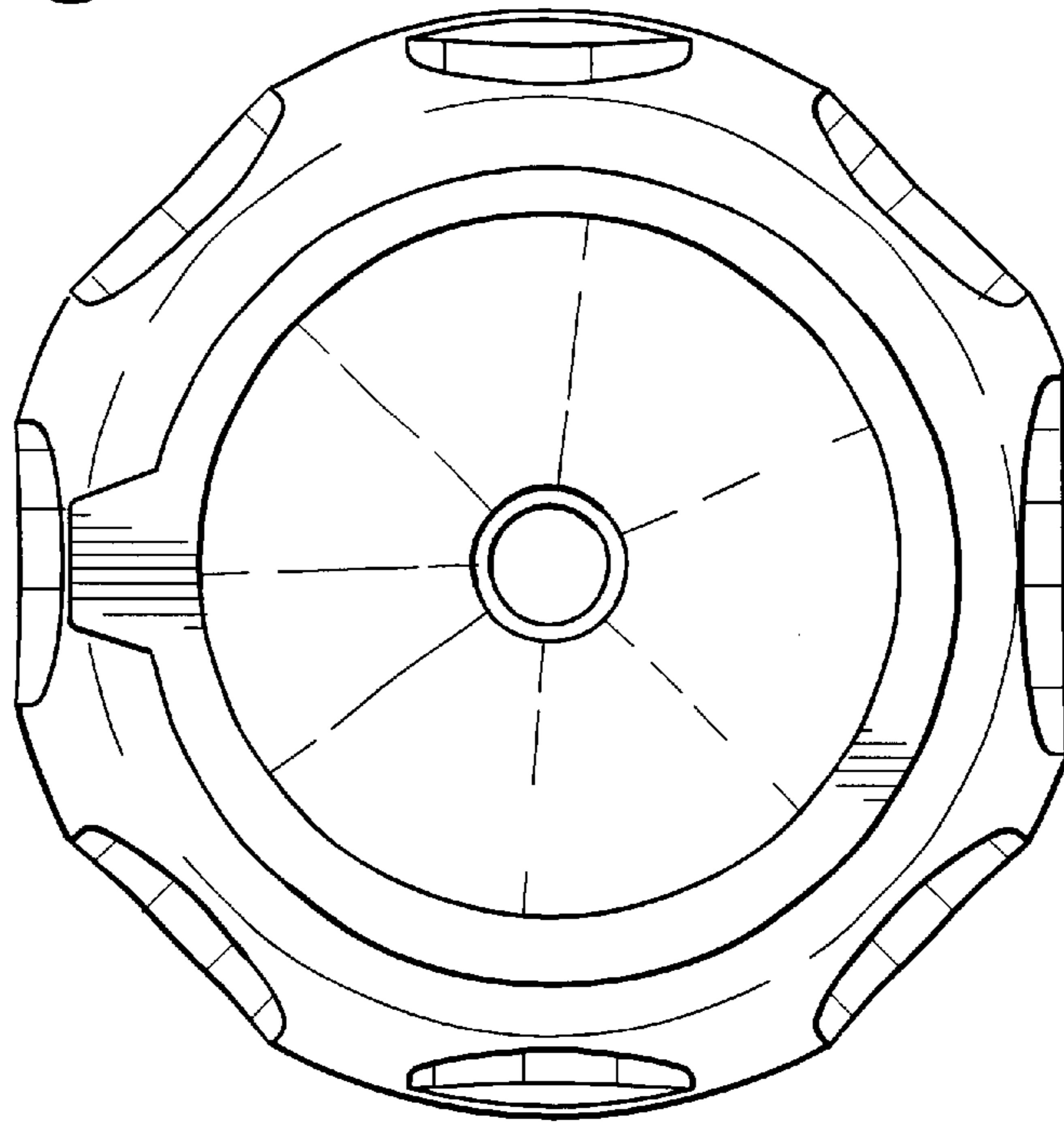
*Fig. 1*



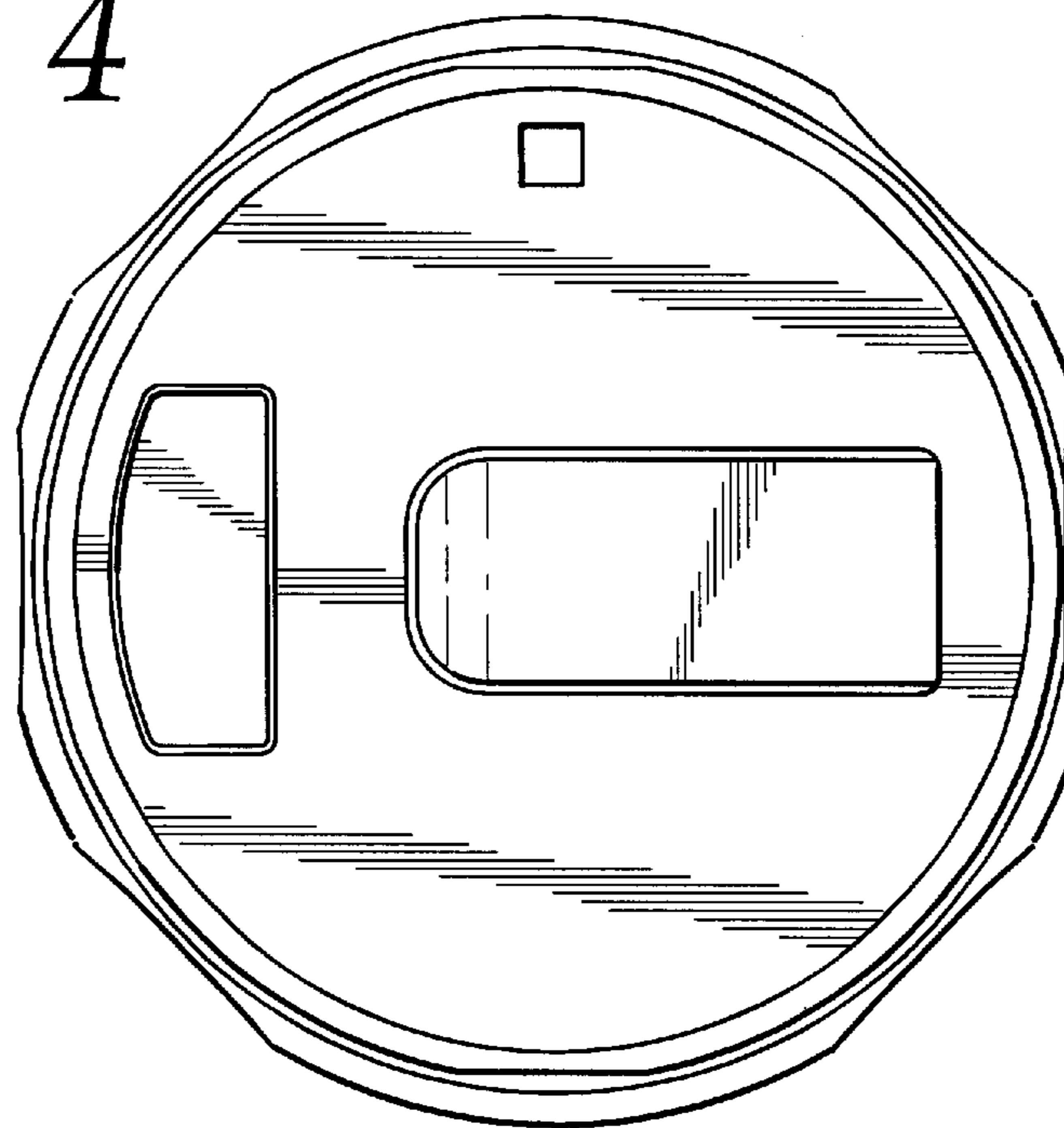
*Fig. 2*



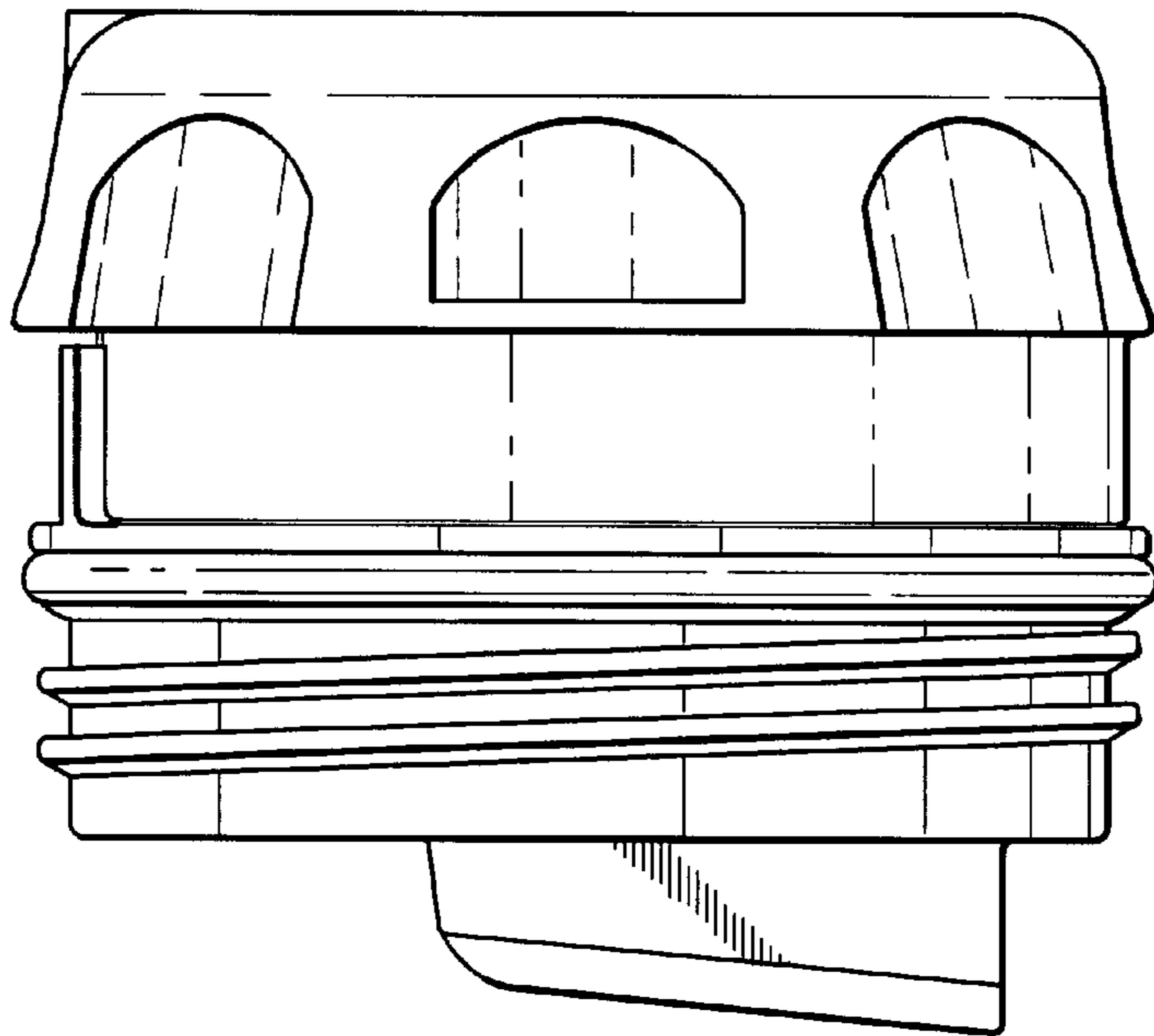
*Fig. 3*



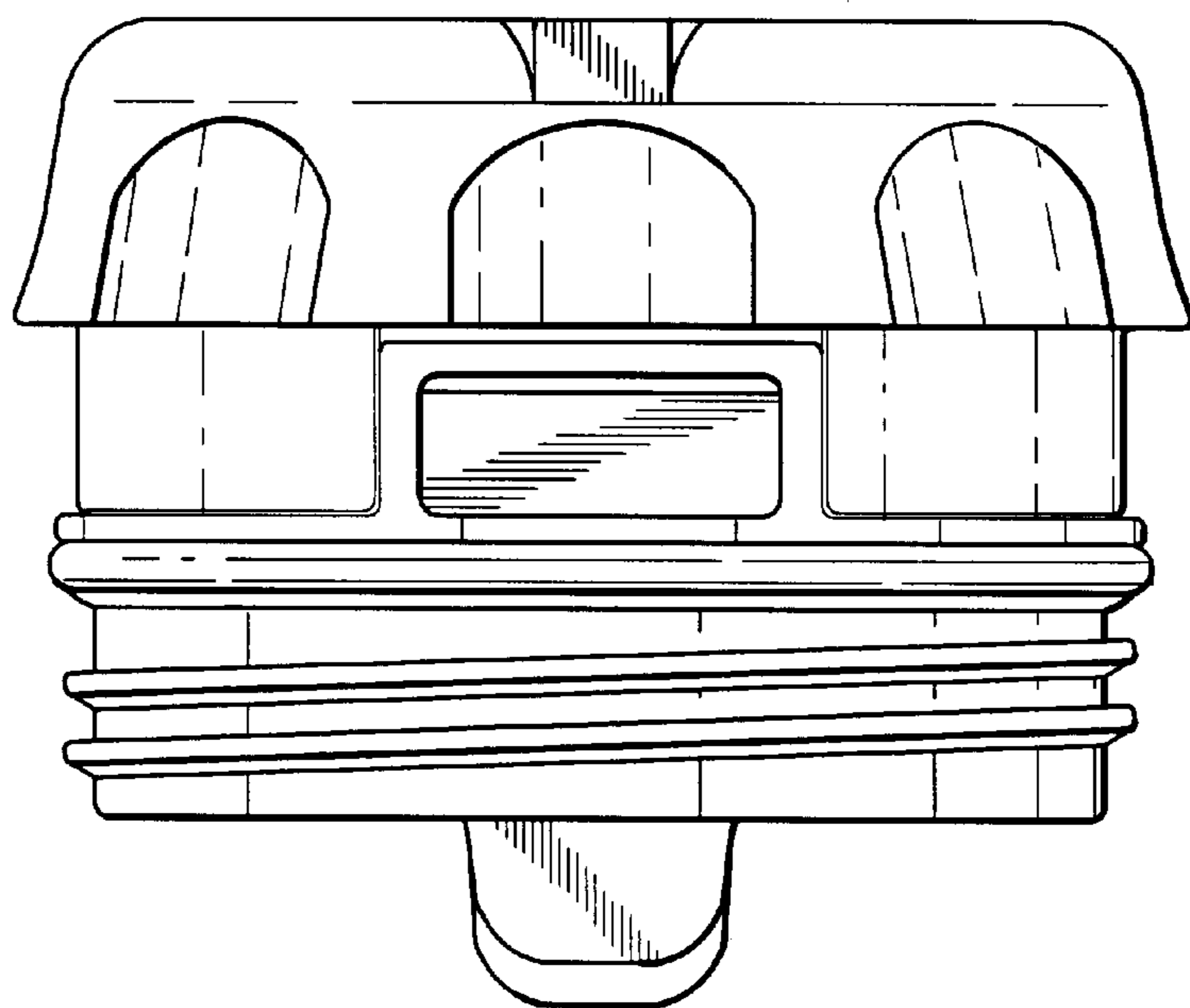
*Fig. 4*



*Fig. 5*



*Fig. 6*



*Fig. 7*

