



US00D476887S

(12) **United States Design Patent**
Poisson et al.

(10) **Patent No.:** **US D476,887 S**

(45) **Date of Patent:** **** Jul. 8, 2003**

(54) **CAP FOR COSMETIC PRODUCT**

D324,338 S * 3/1992 Geiger D9/435

(75) Inventors: **Norman D. Poisson**, Glen, NH (US);
Anthony Pannozzo, Brookline, MA (US)

* cited by examiner

Primary Examiner—Dominic Simone

(73) Assignee: **The Gillette Company**, Boston, MA (US)

(74) *Attorney, Agent, or Firm*—Stephan P. Williams

(**) Term: **14 Years**

(57) **CLAIM**

The ornamental design for a cap for cosmetic product, as shown and described.

(21) Appl. No.: **29/173,683**

(22) Filed: **Jan. 2, 2003**

DESCRIPTION

Related U.S. Application Data

(62) Division of application No. 29/148,491, filed on Sep. 20, 2001.

FIG. 1 is a perspective view as seen from the top, front and right side of a cap for cosmetic product showing our new design;

(51) **LOC (7) Cl.** **09-07**

(52) **U.S. Cl.** **D9/435; D9/445**

FIG. 2 is a right side elevational view thereof, the left side elevation being a mirror image thereof;

(58) **Field of Search** D9/435, 444, 445, D9/529; 215/200, 316, 317; 220/253, 306

FIG. 3 is a top plan view thereof;

FIG. 4 is a front elevational view thereof, the rear elevation being a mirror image thereof; and,

(56) **References Cited**

FIG. 5 is a bottom plan view thereof.

U.S. PATENT DOCUMENTS

D312,574 S * 12/1990 Geiger D9/435

1 Claim, 2 Drawing Sheets

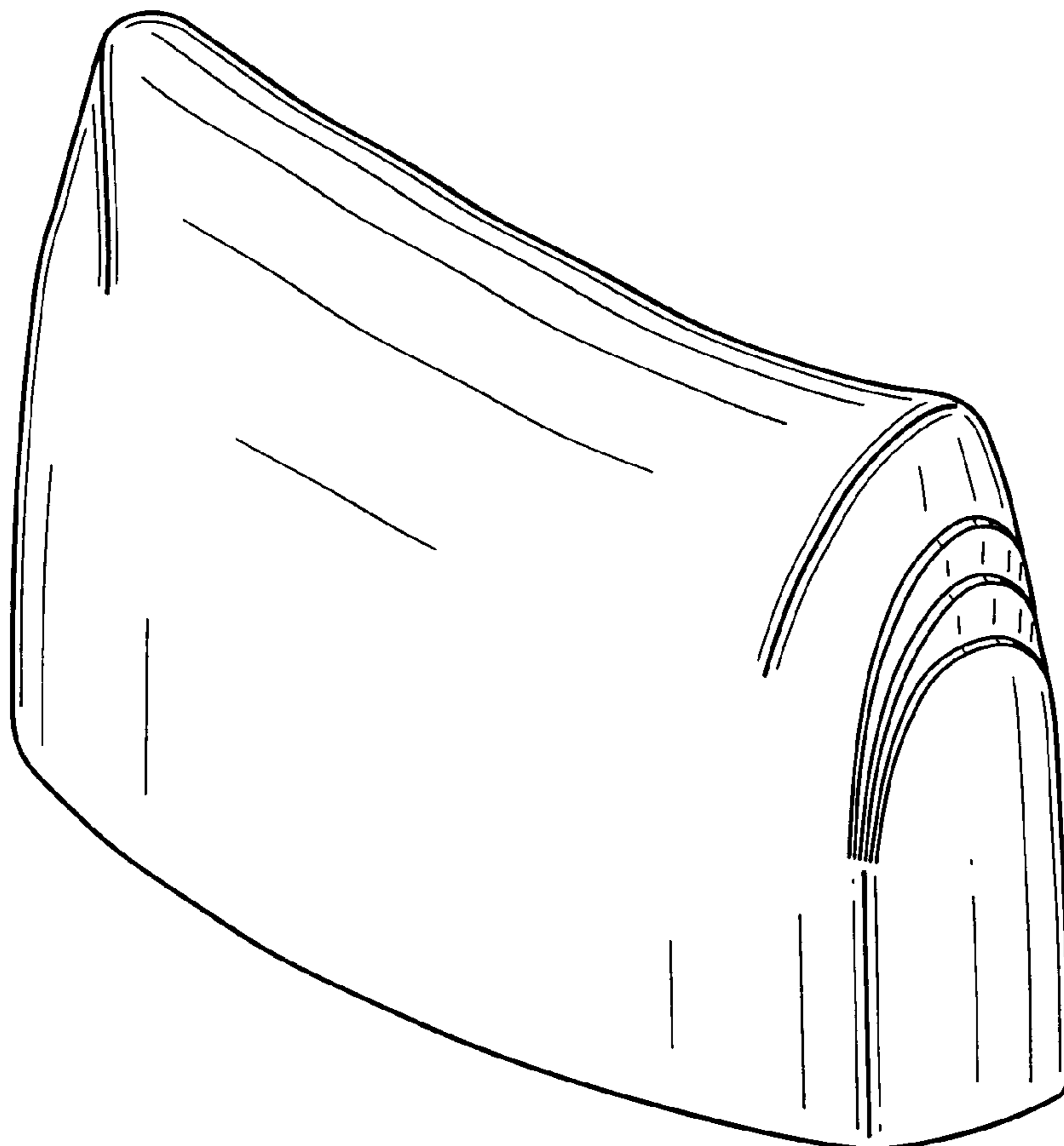


FIG. 1

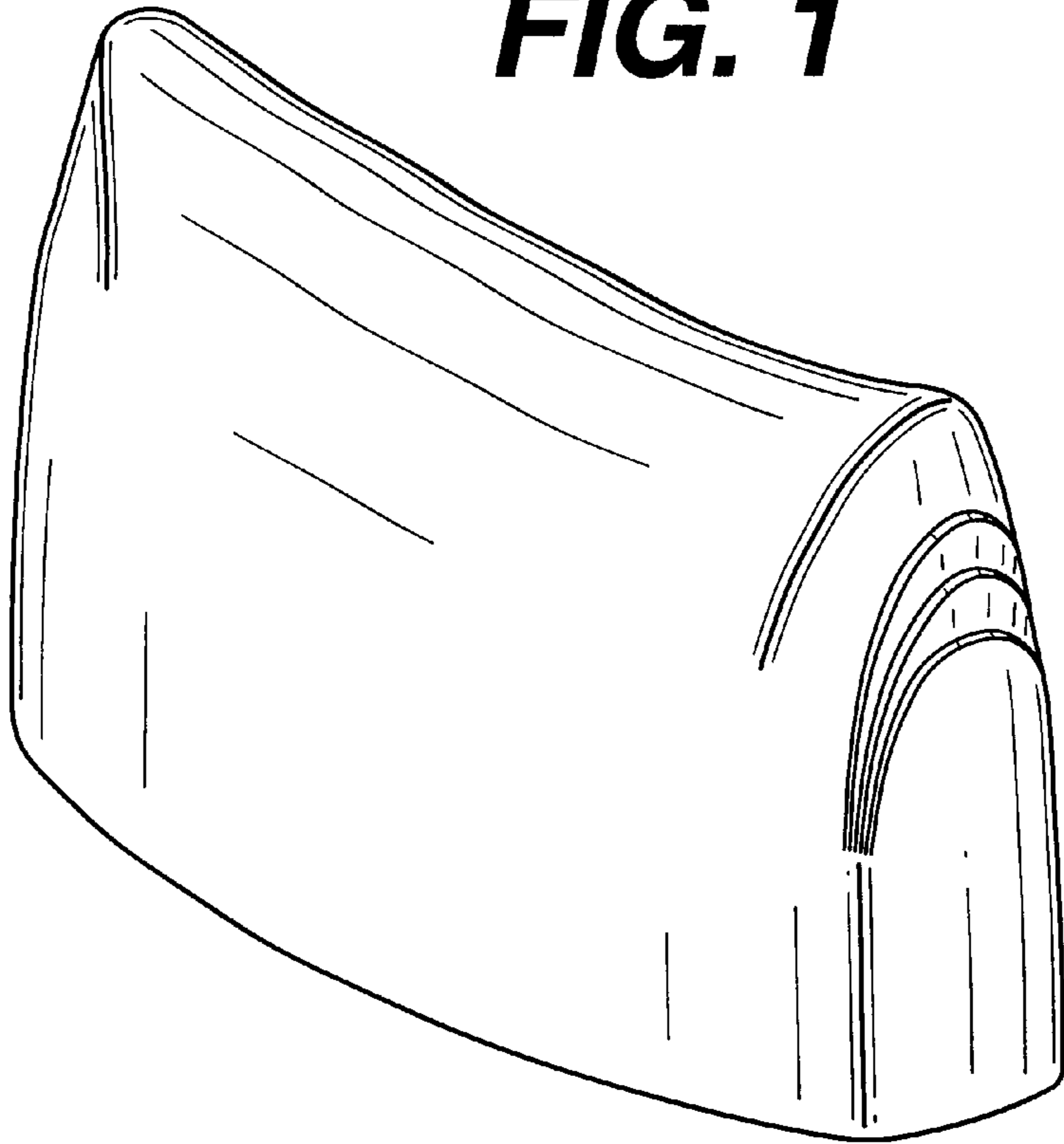


FIG. 2

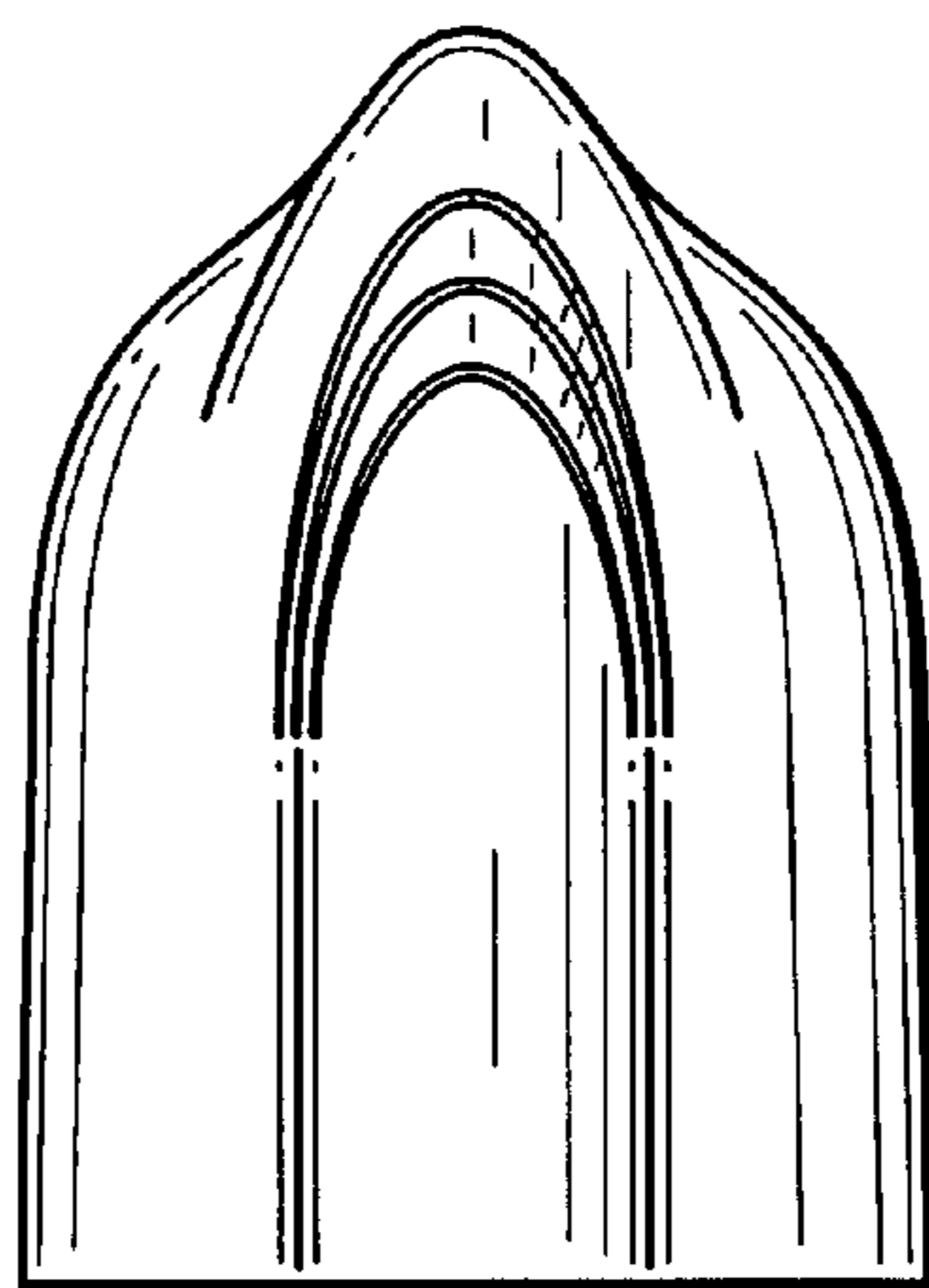


FIG. 3

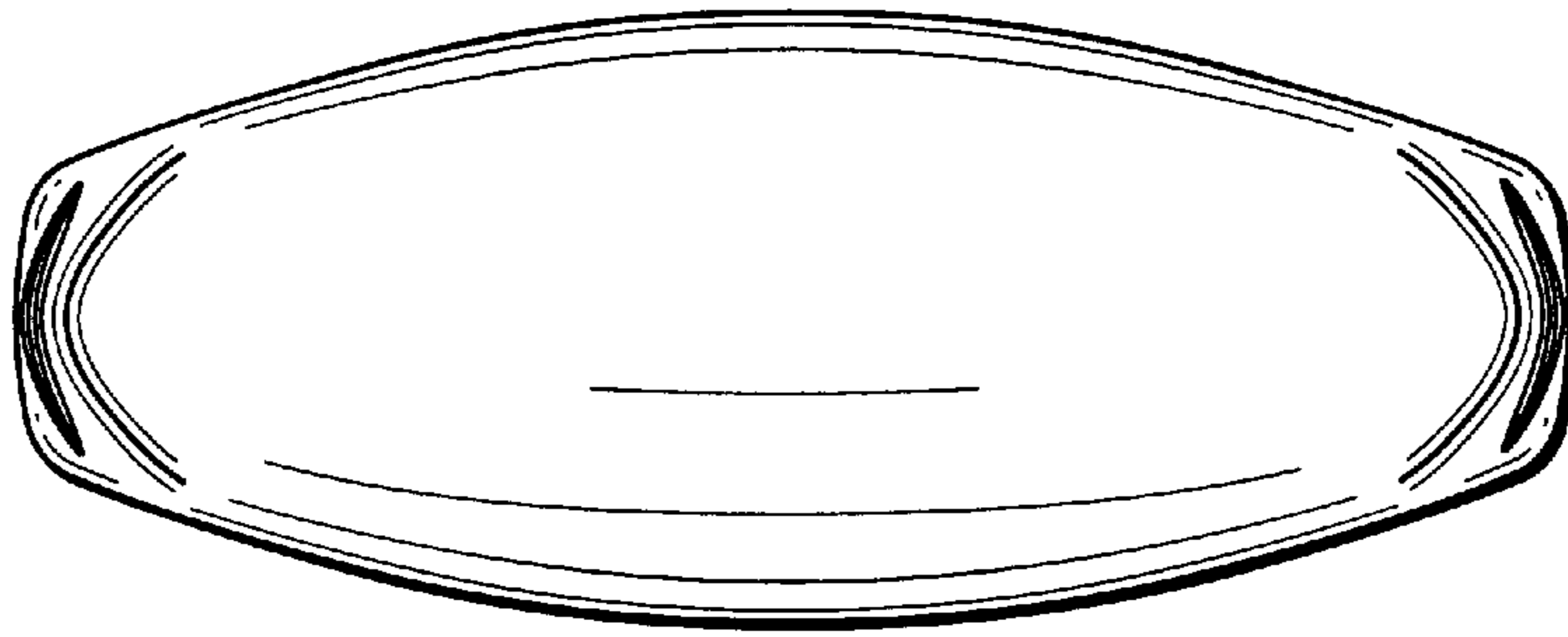


FIG. 4

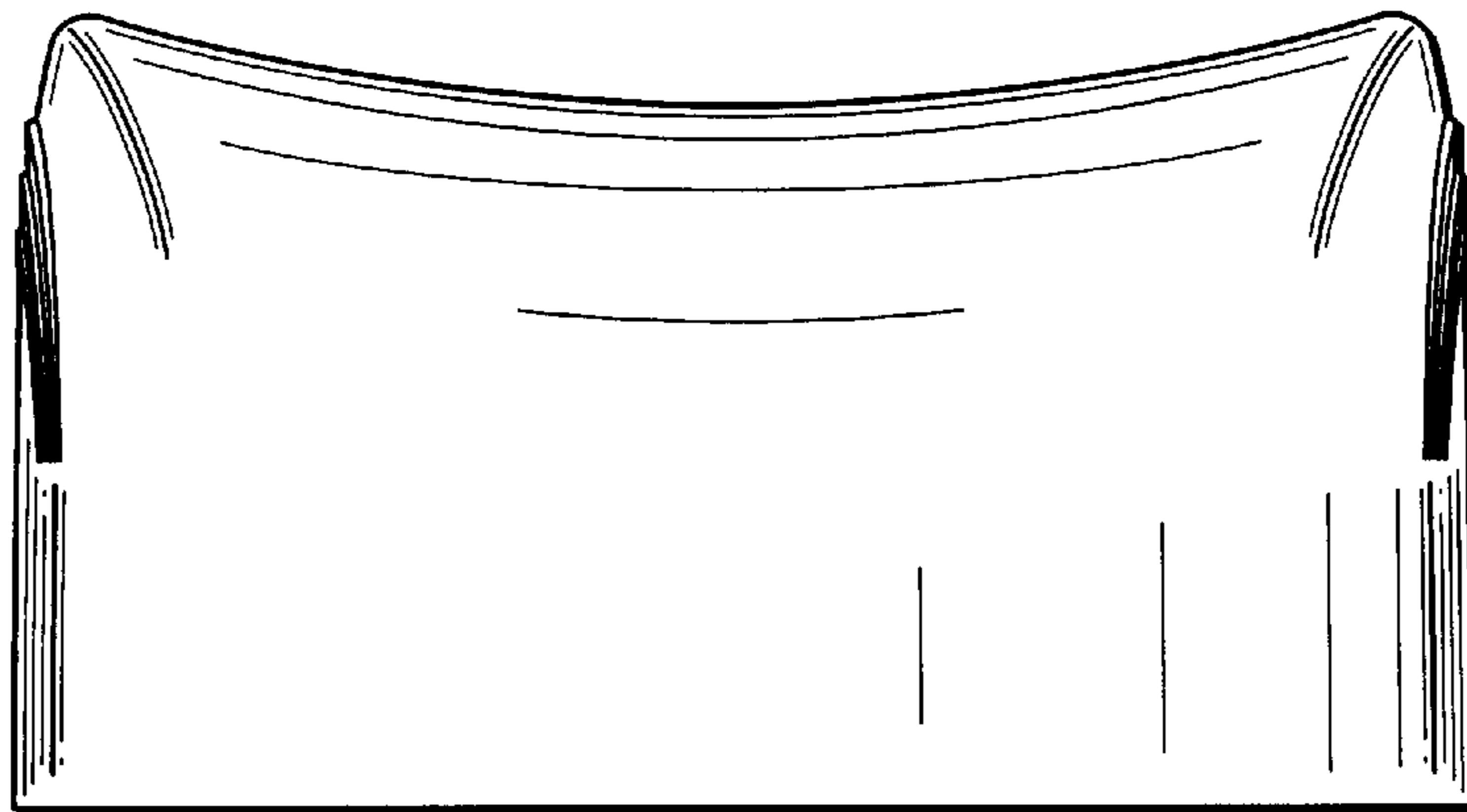


FIG. 5

